



US00D325095S

United States Patent [19]

[11] Patent Number: **Des. 325,095**

Dallaire et al.

[45] Date of Patent: **** Mar. 31, 1992**

[54] WINDOW COMPONENT EXTRUSION

[56] References Cited

[75] Inventors: **Raymond Dallaire; Dominique Dallaire, both of St. David, Canada**

U.S. PATENT DOCUMENTS

D. 216,956	3/1970	Dallaire	D25/124
D. 243,675	3/1977	Dallaire	D25/124
D. 301,625	6/1989	Dallaire	D25/124

[73] Assignee: **Dallaire Industries, Ltd., Levis-Lauzon, Canada**

Primary Examiner—A. Hugo Word
Assistant Examiner—Doris Clark
Attorney, Agent, or Firm—James D. Hall

[**] Term: **14 Years**

[57] CLAIM

The ornamental design for a window component extrusion, as shown and described.

[21] Appl. No.: **487,702**

DESCRIPTION

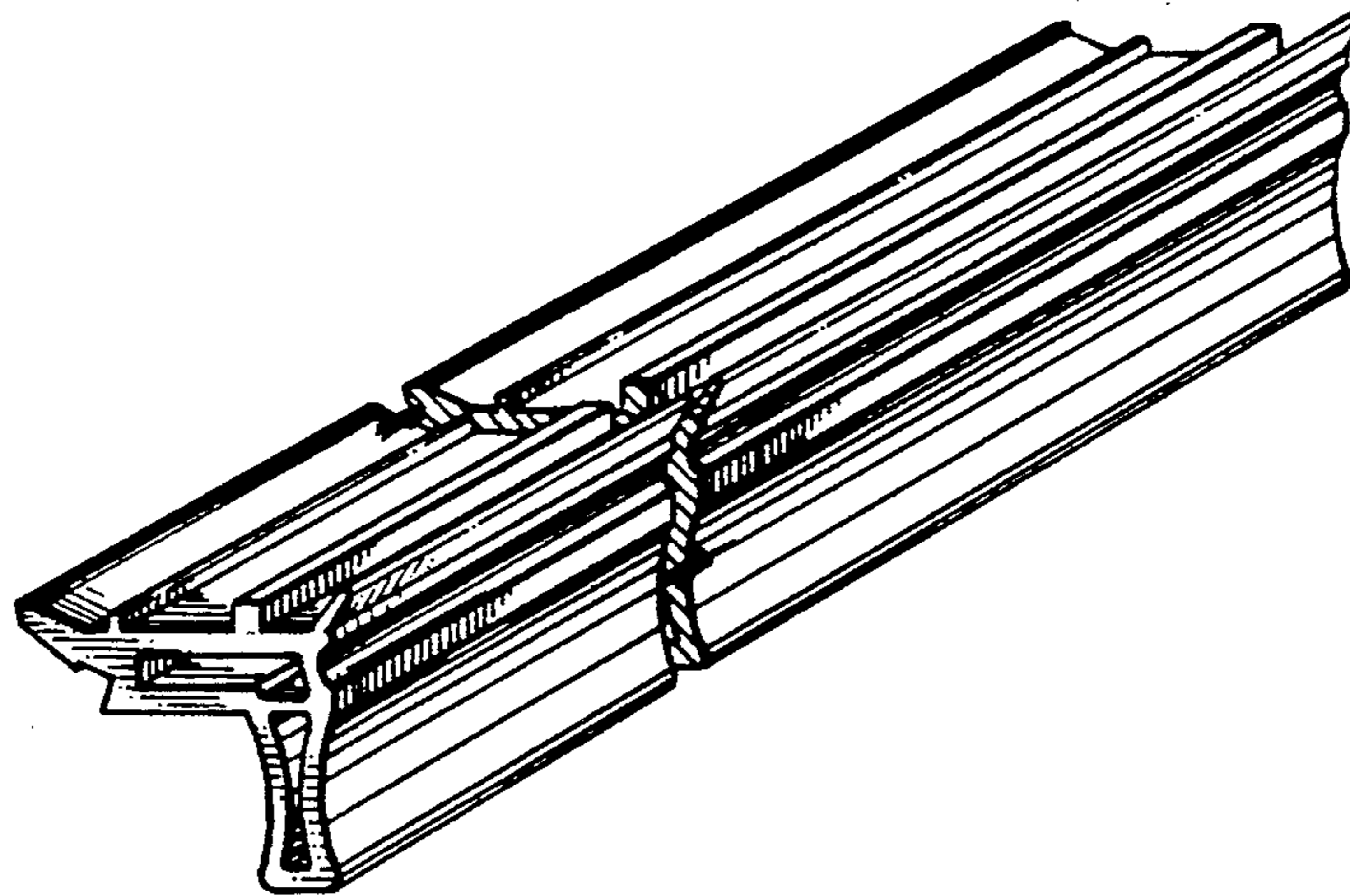
[22] Filed: **Mar. 1, 1990**

FIG. 1 is a right side perspective view of a window component extrusion showing our new design, the center being broken away to indicate indeterminate length; and,

[52] U.S. Cl. **D25/124**

[58] Field of Search D25/52, 119-125;
49/501, 504, DIG. 1, DIG. 2; 52/474-476

FIG. 2 is a left side perspective view thereof.



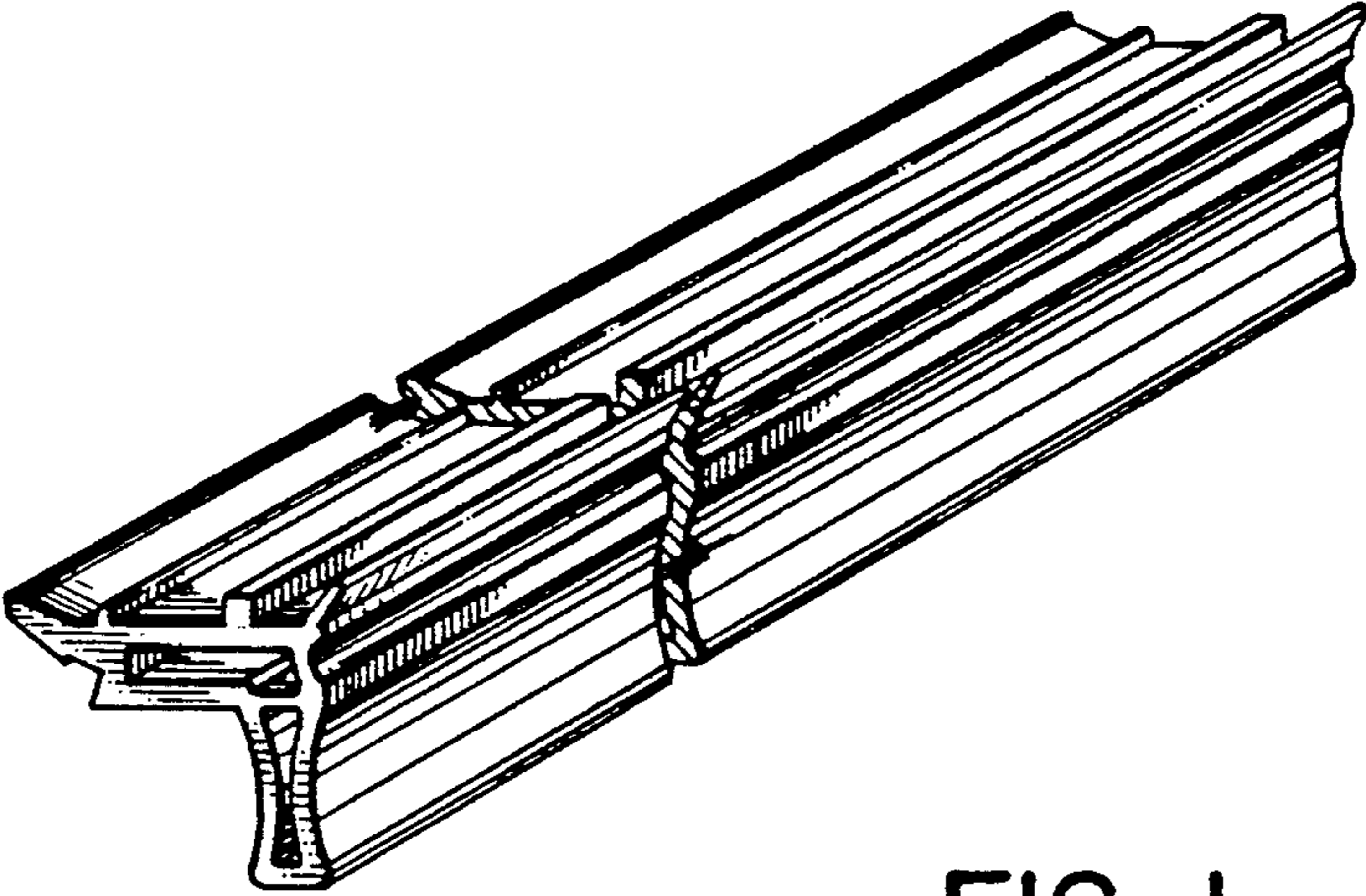


FIG. 1

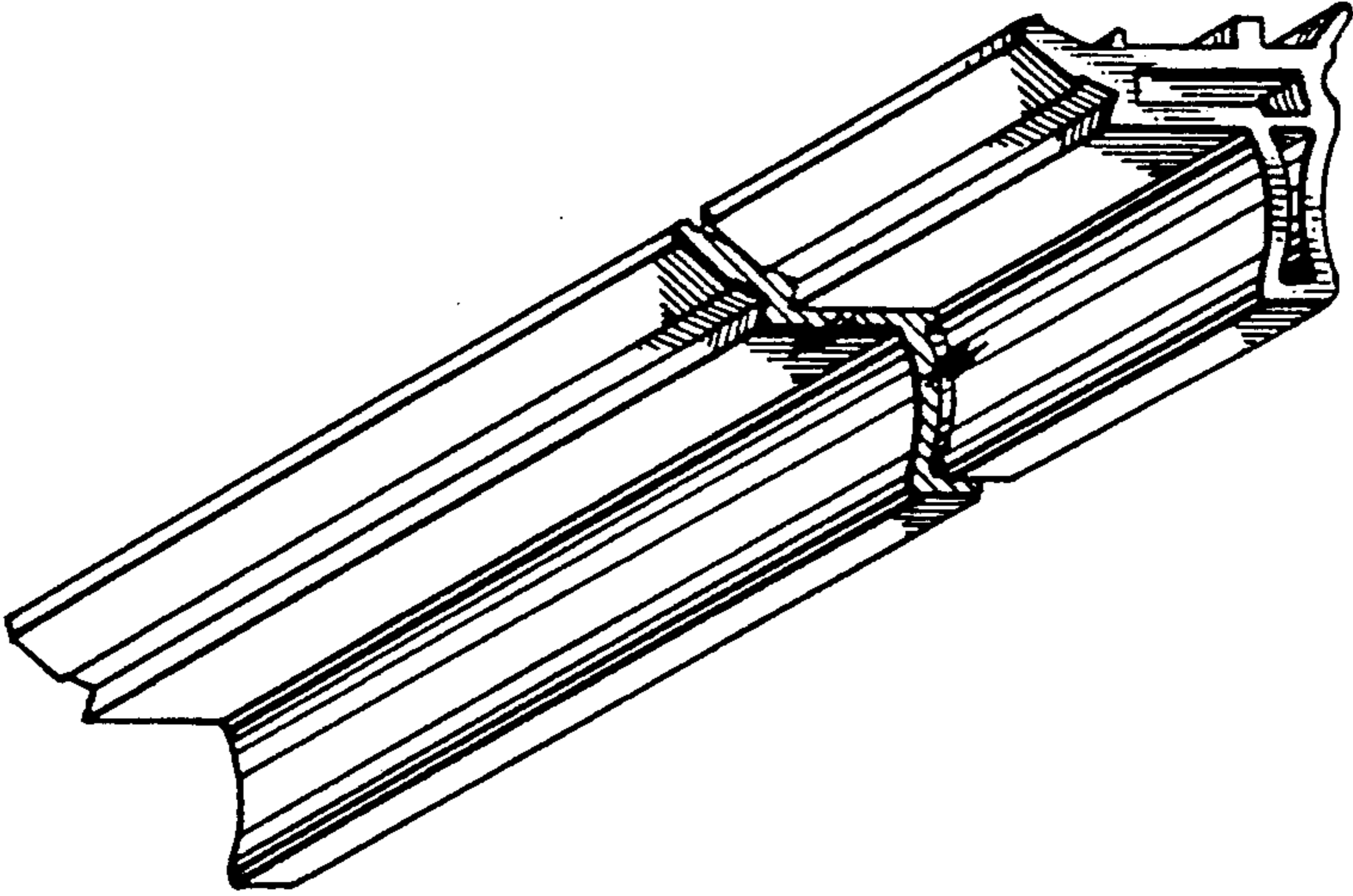


FIG. 2