



US00D325092S

United States Patent [19]

[11] Patent Number: Des. 325,092

Weir

[45] Date of Patent: ** Mar. 31, 1992

[54] SWIMMING POOL

3,592,435 7/1971 Mattingly D25/2 X

[75] Inventor: Donald H. Weir, York, Pa.

Primary Examiner—A. Hugo Word
Assistant Examiner—Doris V. Coles
Attorney, Agent, or Firm—Arthur J. Plantamura

[73] Assignee: Wexco Incorporated, York, Pa.

[**] Term: 14 Years

[57] CLAIM

[21] Appl. No.: 373,476

The ornamental design for a swimming pool, as shown and described.

[22] Filed: Jun. 29, 1989

[52] U.S. Cl. D25/2

[58] Field of Search D25/2; D24/38; D23/277,
D23/280, 287; 52/169.7, 169.8, 169.9; 4/506,
513, 488-489, 538, 355, 584, 541-542, 490

DESCRIPTION

[56] References Cited

U.S. PATENT DOCUMENTS

- D. 308,574 6/1990 D'Innocente et al. D24/38
- D. 313,838 1/1991 Lenahan D23/277

FIG. 1 is a perspective view of a swimming pool showing my new design;
 FIG. 2 is a top plan view thereof;
 FIG. 3 is a cross sectional view taken along line 3—3 of FIG. 2;
 FIG. 4 is an end cross sectional view, taken along line 4—4 of FIG. 2; and,
 FIG. 5 is the opposite end view, taken along line 5—5 of FIG. 2.

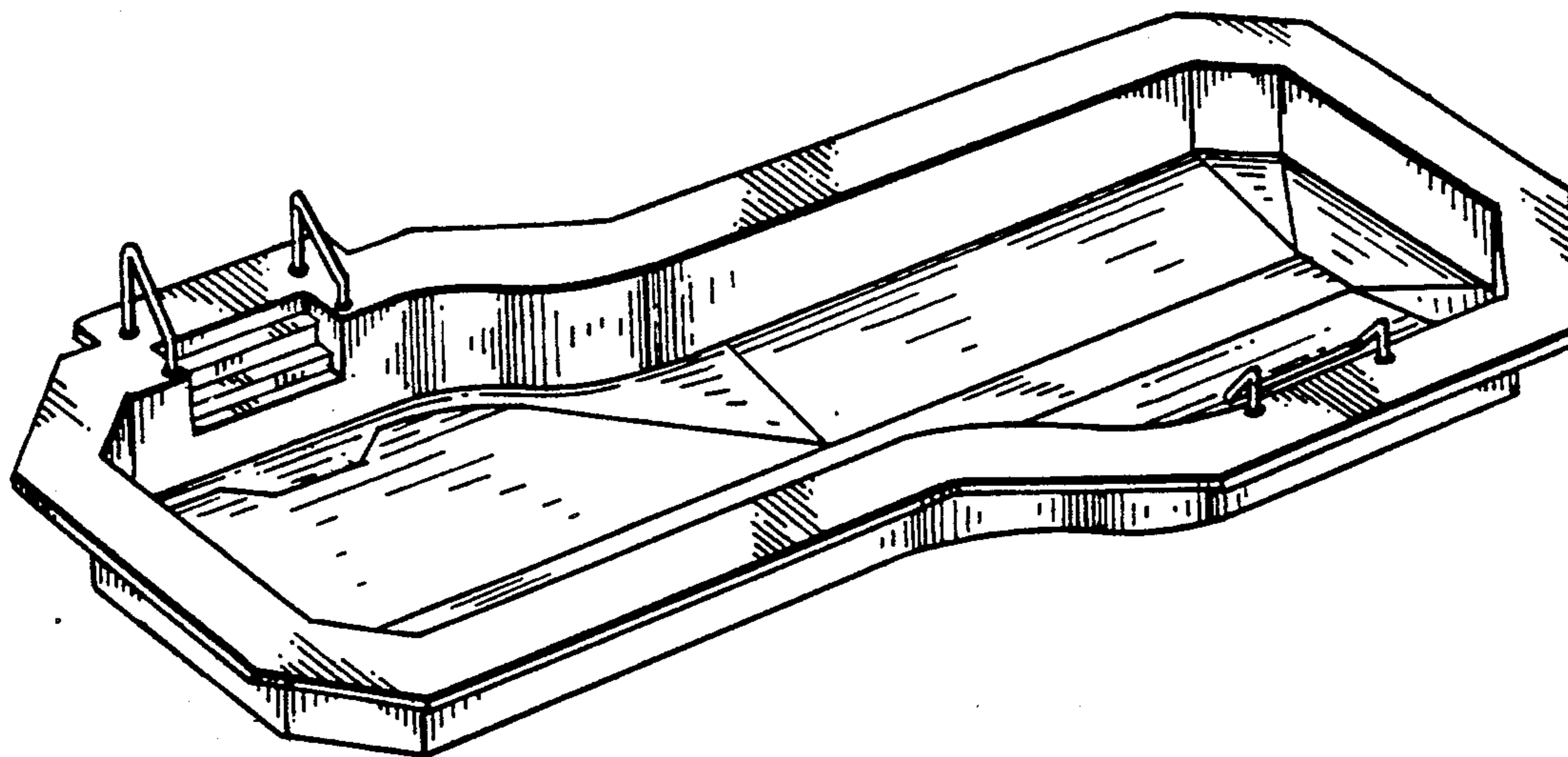


FIG. 1

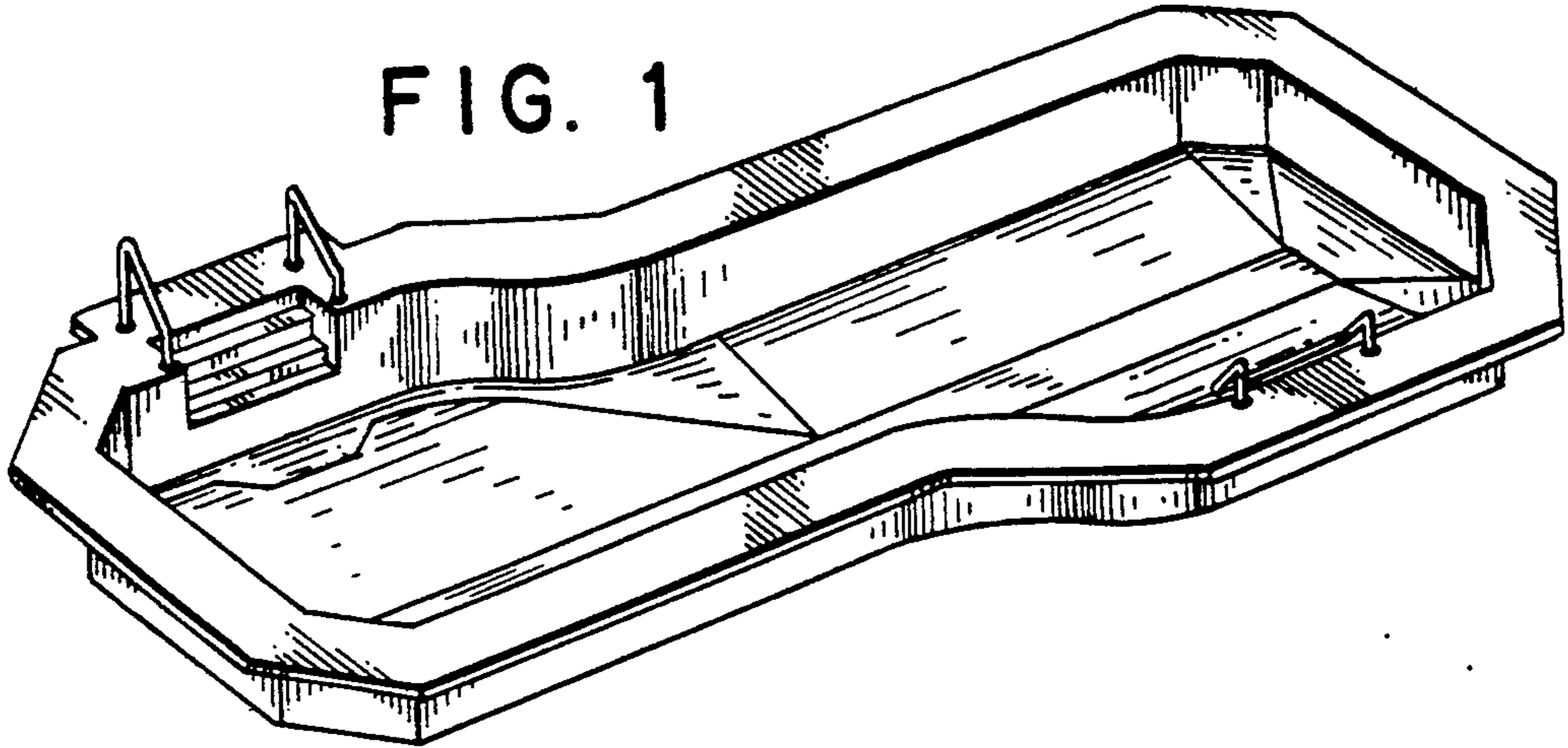


FIG. 2

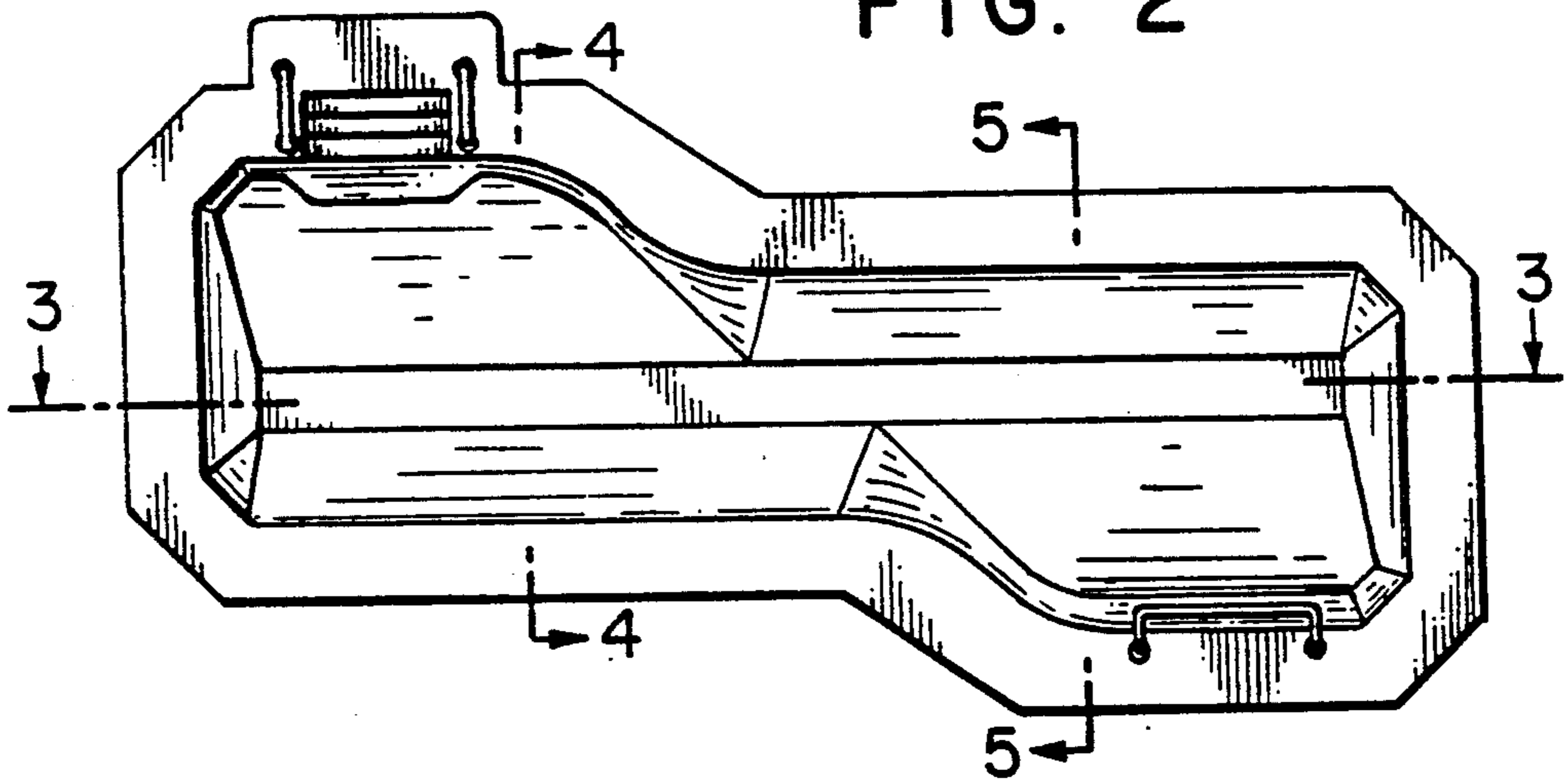


FIG. 3

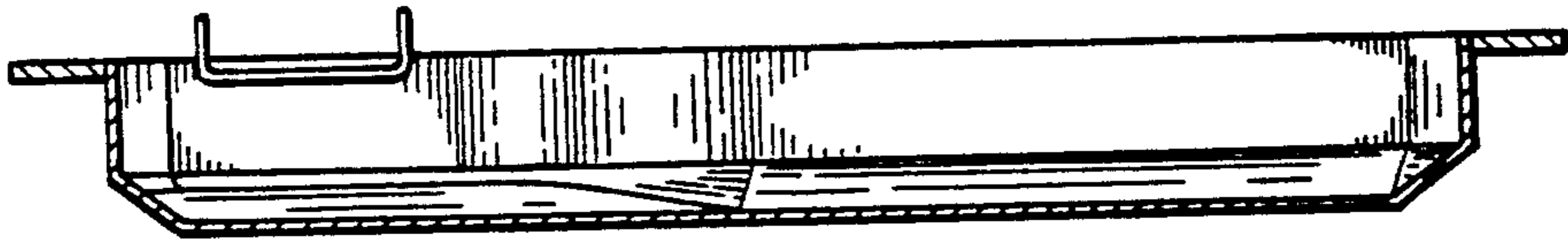


FIG. 4

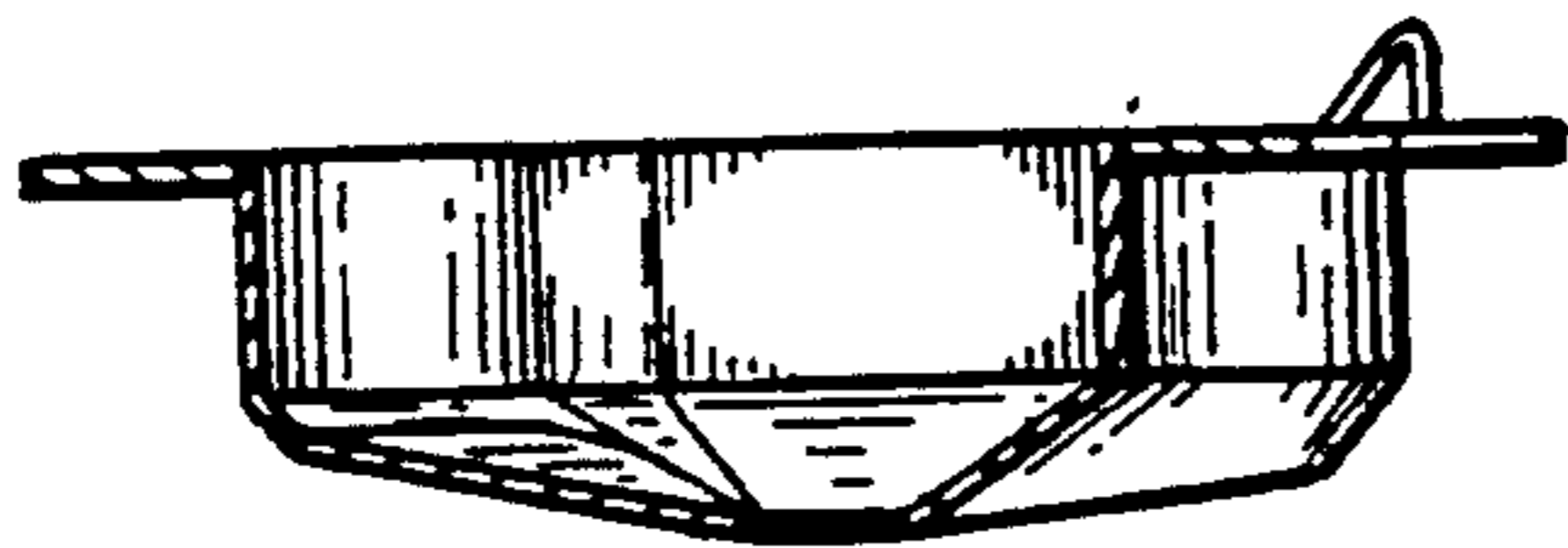


FIG. 5

