



US00D325090S

# United States Patent [19]

[11] Patent Number: **Des. 325,090**

**Karp et al.**

[45] Date of Patent: **\*\* Mar. 31, 1992**

[54] CUVETTE

[75] Inventors: **Joseph G. Karp, Durham; Thomas B. Givens, Rougemont; John Link, Durham, all of N.C.**

[73] Assignee: **Akzo N.V., Arnhem, Netherlands**

[\*\*] Term: **14 Years**

[21] Appl. No.: **443,784**

[22] Filed: **Nov. 30, 1989**

[52] U.S. Cl. .... **D24/226; D24/224**

[58] Field of Search ..... **D24/216, 224, 226; 356/246, 240; 422/64, 65, 67, 104, 102**

[56] **References Cited**

**U.S. PATENT DOCUMENTS**

D. 266,589 10/1982 Gilford et al. .... D24/226

D. 288,845 3/1987 Borer et al. .... D24/226  
D. 303,837 10/1989 Albert ..... D24/226  
4,227,810 10/1980 Sandrock et al. .... 356/246  
4,685,880 8/1987 Meguro et al. .... 356/246 X

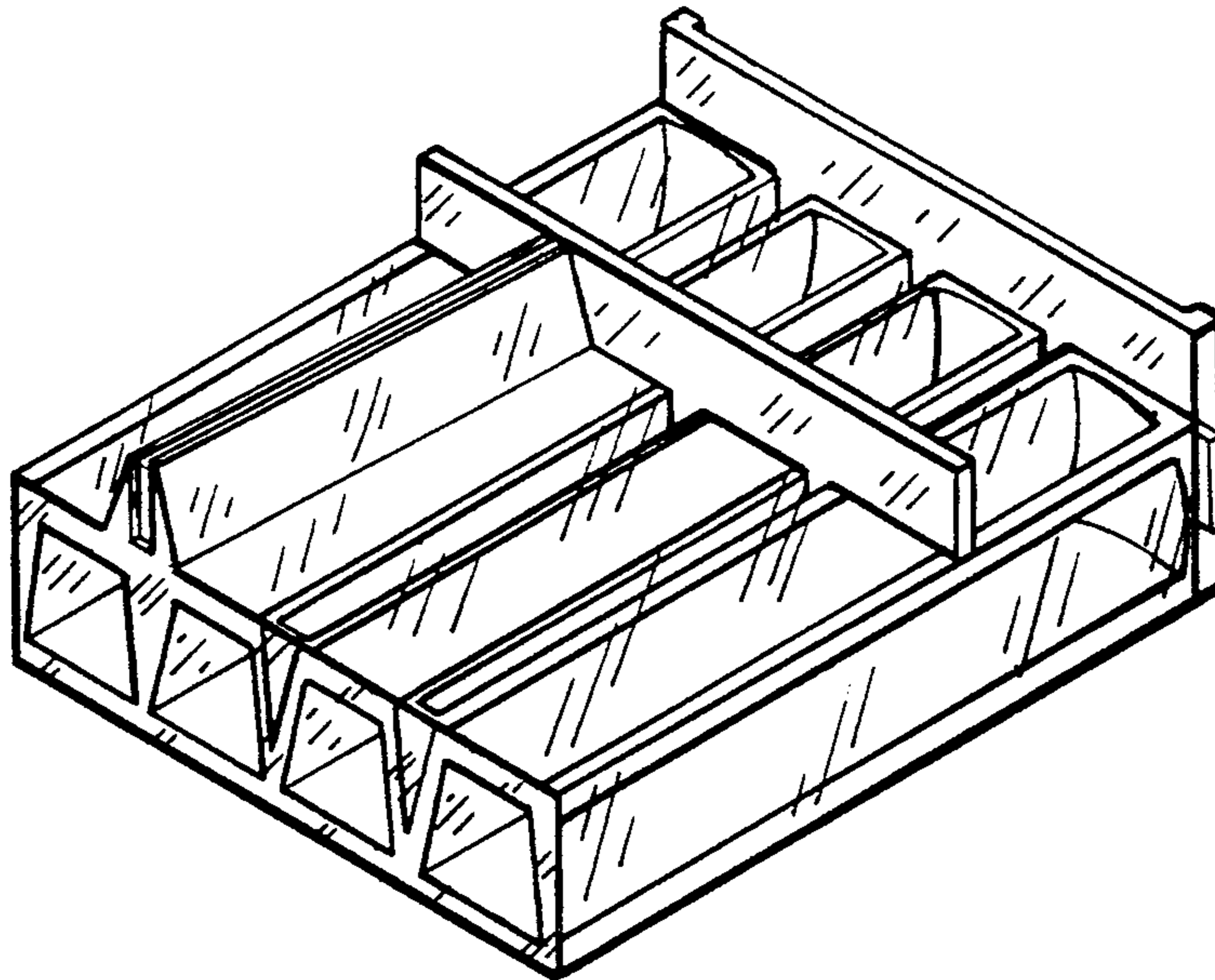
*Primary Examiner—Stella Reid*  
*Attorney, Agent, or Firm—Donna Bobrowicz*

[57] **CLAIM**

The ornamental design for a cuvette, as shown and described.

**DESCRIPTION**

FIG. 1 is a top plan view of a cuvette, showing our new design;  
FIG. 2 is a bottom plan view thereof;  
FIG. 3 is a front elevational view thereof;  
FIG. 4 is a right side elevational view thereof, the left side elevational view being substantially identical; and,  
FIG. 5 is a front perspective view thereof.



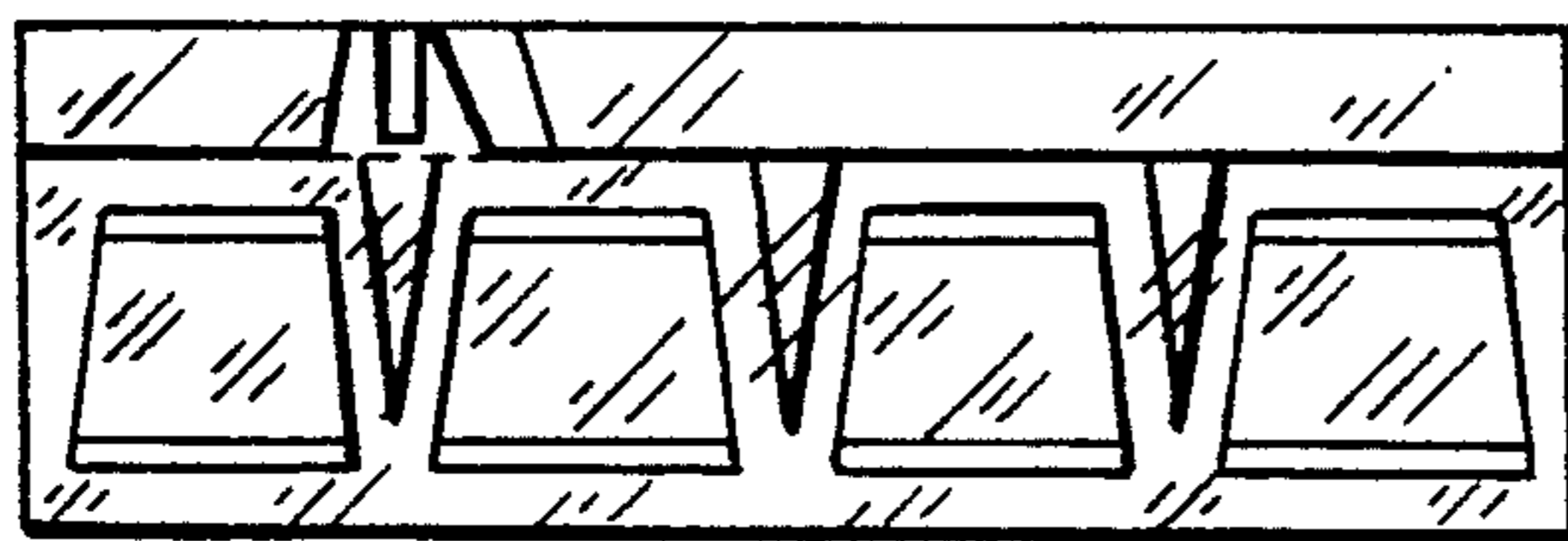


FIG. 1

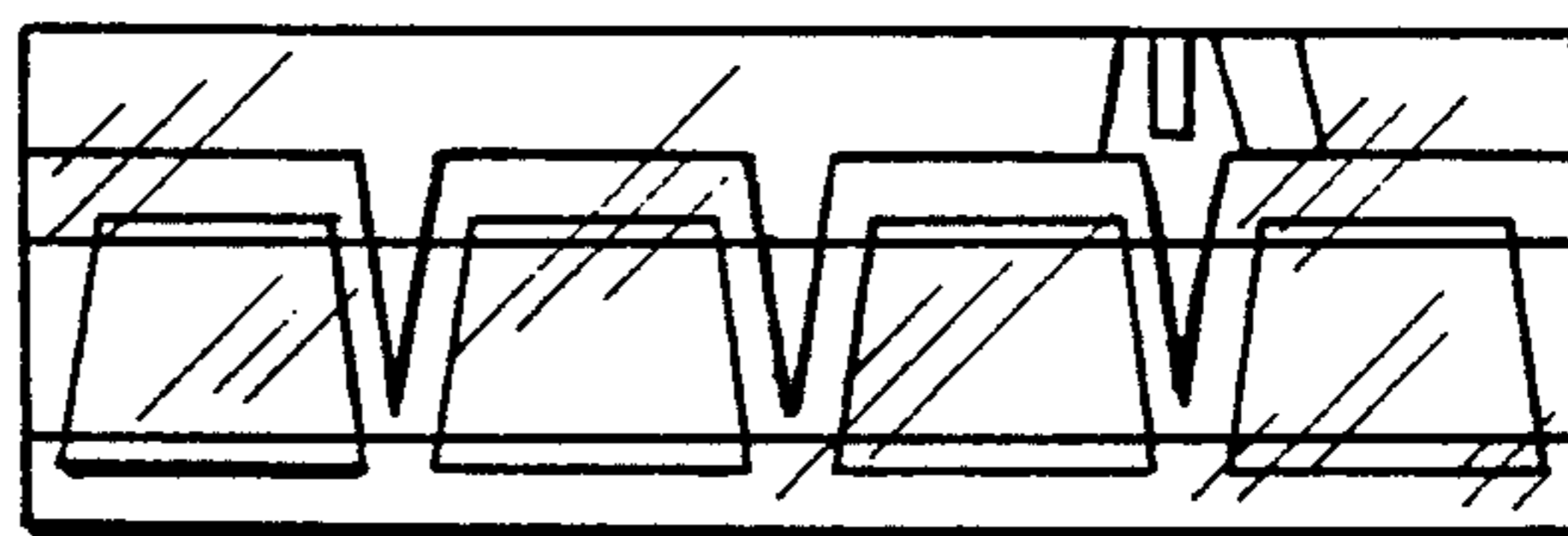


FIG. 2



FIG. 3

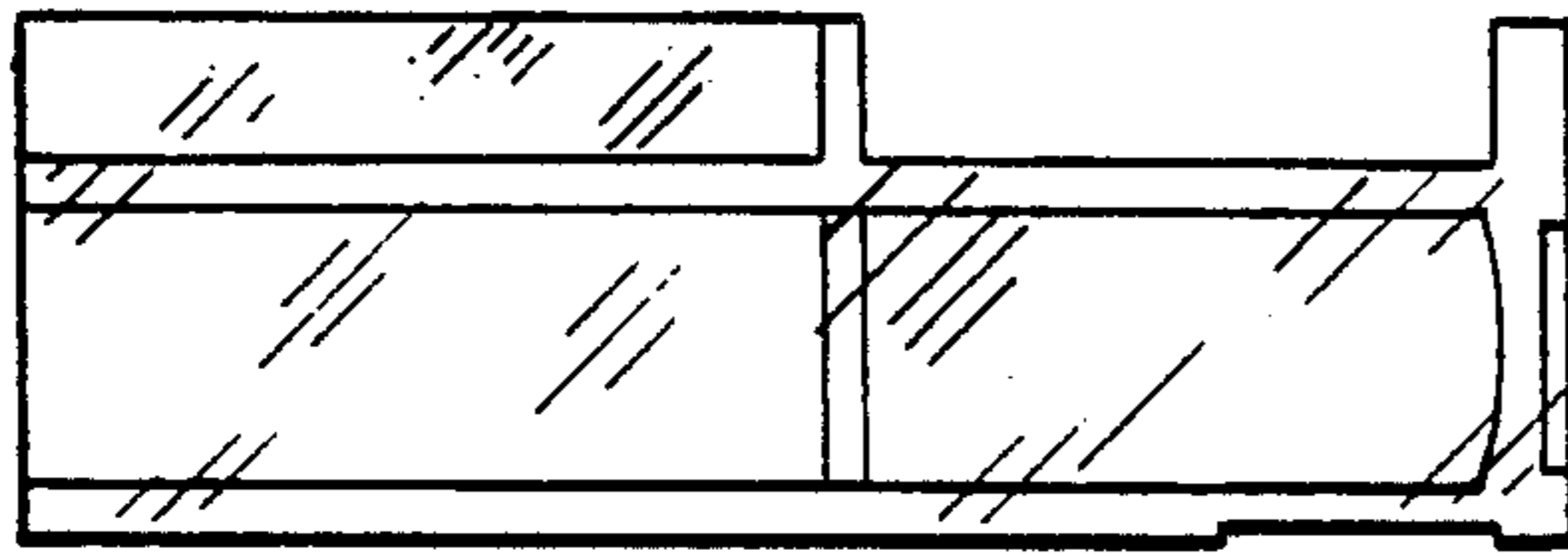


FIG. 4

FIG. 5

