



US00D325089S

United States Patent [19]

[11] Patent Number: **Des. 325,089**

Shaw

[45] Date of Patent: **** Mar. 31, 1992**

[54] **COMBINED HOT AND COLD THERAPY PAD**

[75] Inventor: **Sammie L. Shaw, Fountain Valley, Calif.**

[73] Assignee: **Aqua Cel Corporation, Santa Ana, Calif.**

[**] Term: **14 Years**

[21] Appl. No.: **416,127**

[22] Filed: **Oct. 2, 1989**

[52] U.S. Cl. **D24/207; D24/206**

[58] Field of Search **D24/206, 207, 200; 128/402, 403, 400, 399; 392/443**

[56] **References Cited**

U.S. PATENT DOCUMENTS

D. 32,787	6/1900	Vigne	D24/207
D. 122,456	9/1940	Bradford	D24/206
1,964,655	6/1934	Williamson	D24/207 X

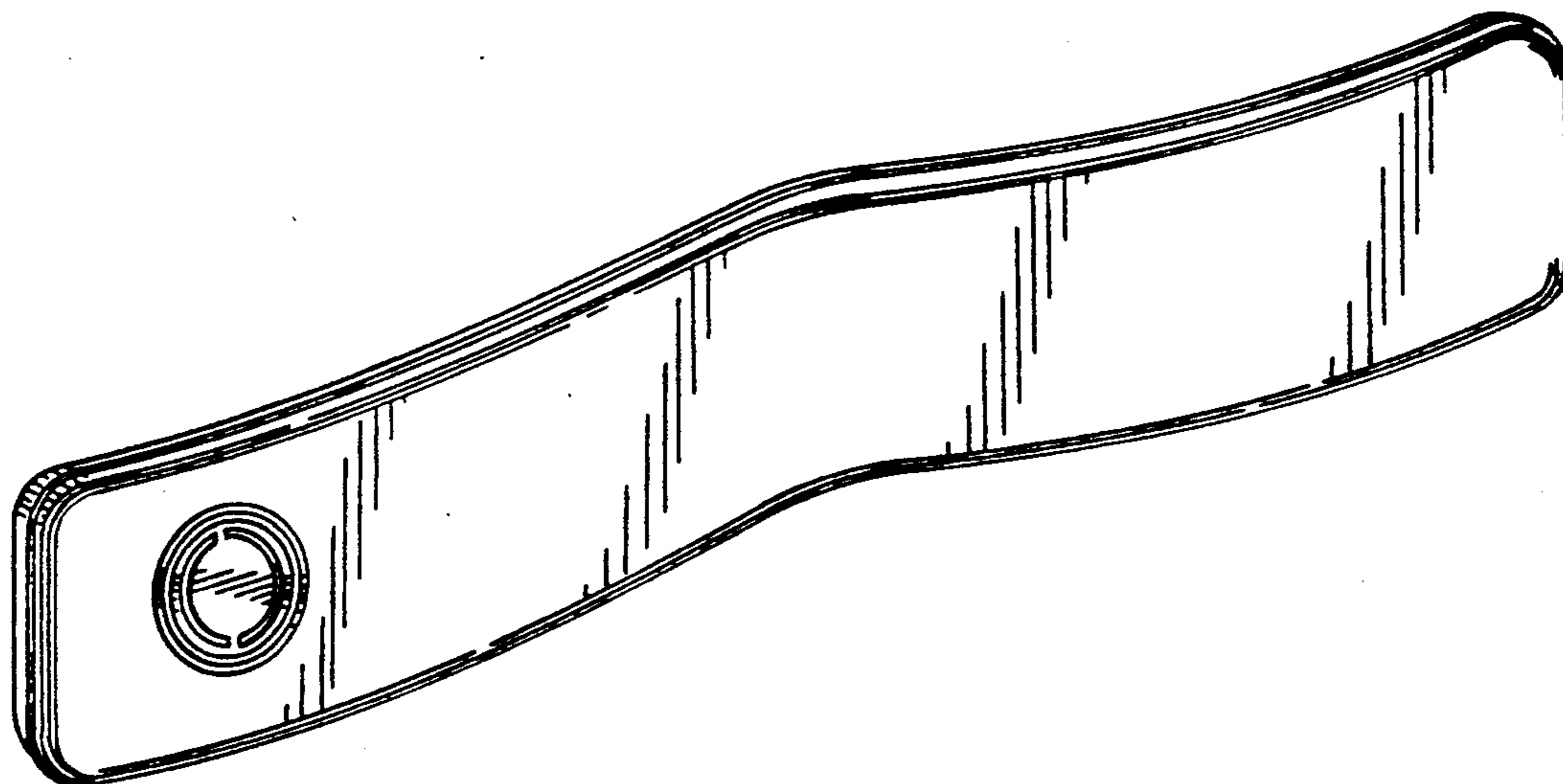
Primary Examiner—Stella Reid
Attorney, Agent, or Firm—Gregory Garmong

[57] **CLAIM**

The ornamental design for a combined hot and cold therapy pad, as shown and described.

DESCRIPTION

FIG 1 is a perspective view of a combined hot and cold therapy pad;
 FIG. 2 is an end elevational view thereof, the opposite end elevational view being substantially identical;
 FIG. 3 is a front elevational view thereof;
 FIG. 4 is a rear elevational view thereof;
 FIG. 5 is a top plan view thereof; and,
 FIG. 6 is a bottom plan view thereof.



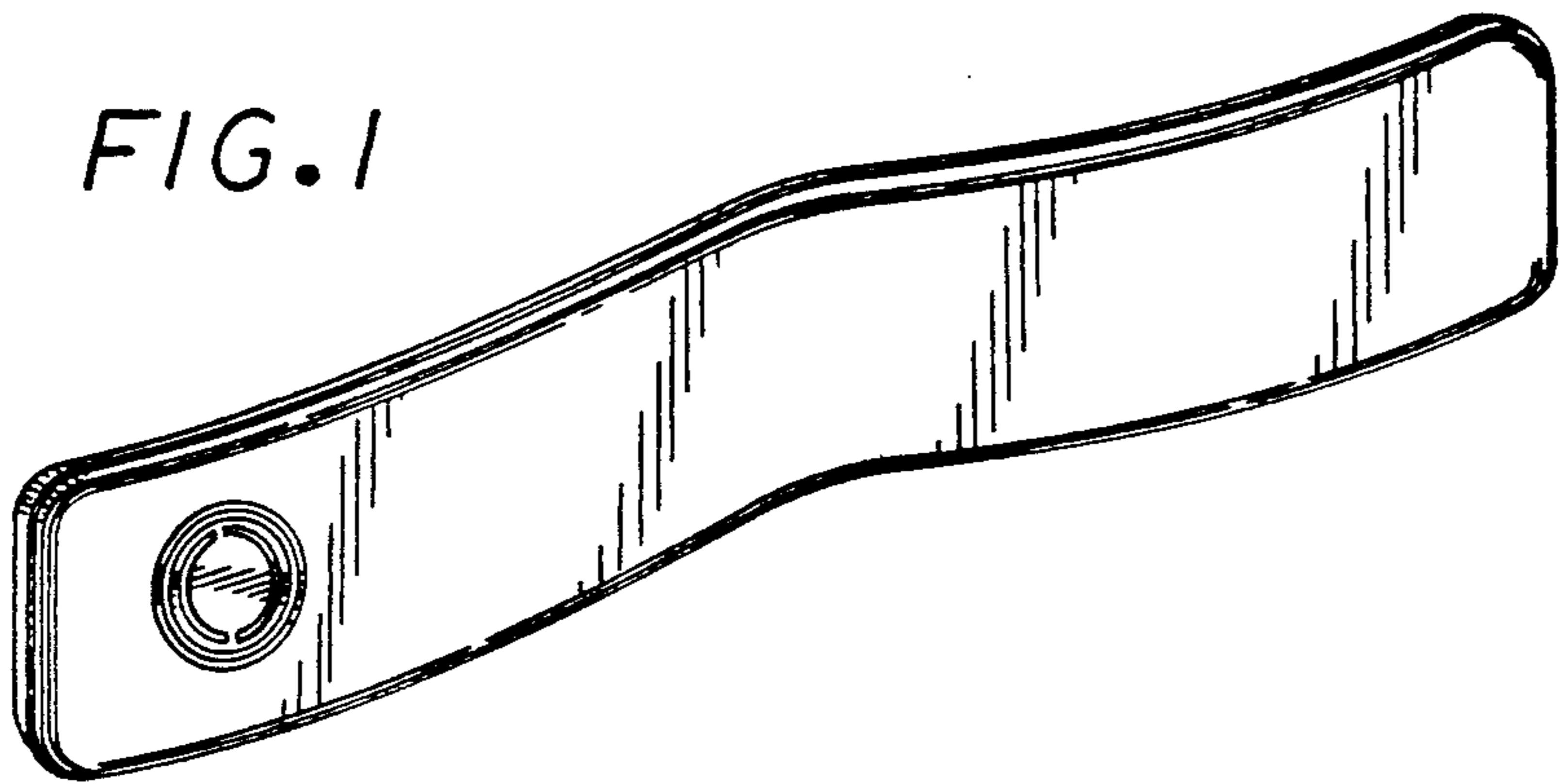


FIG. 1

FIG. 2



FIG. 3

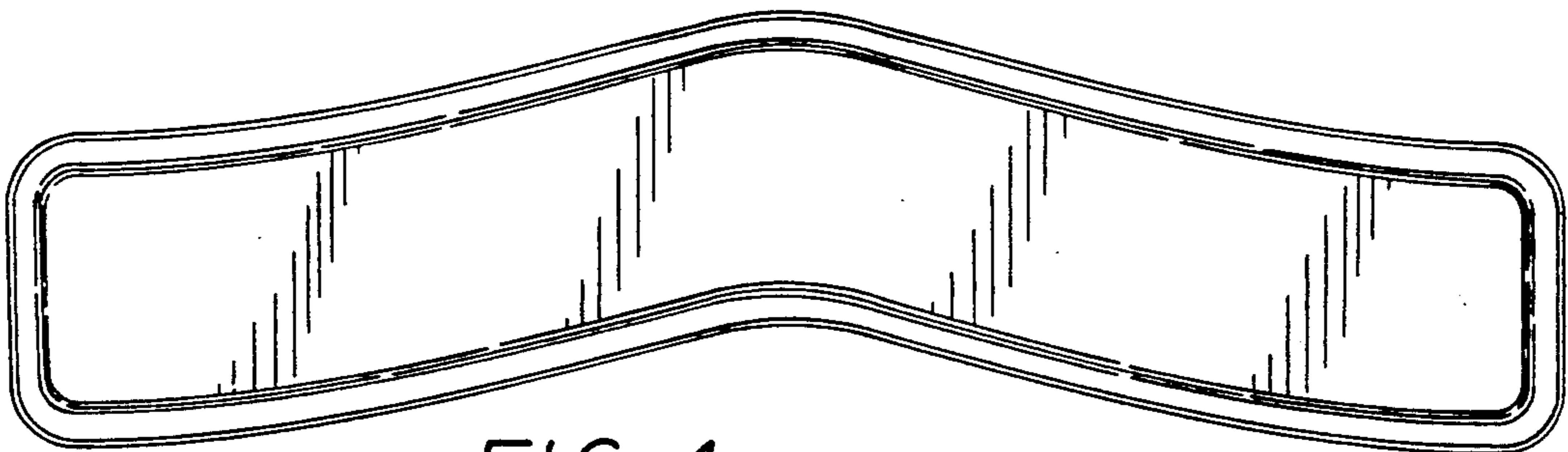
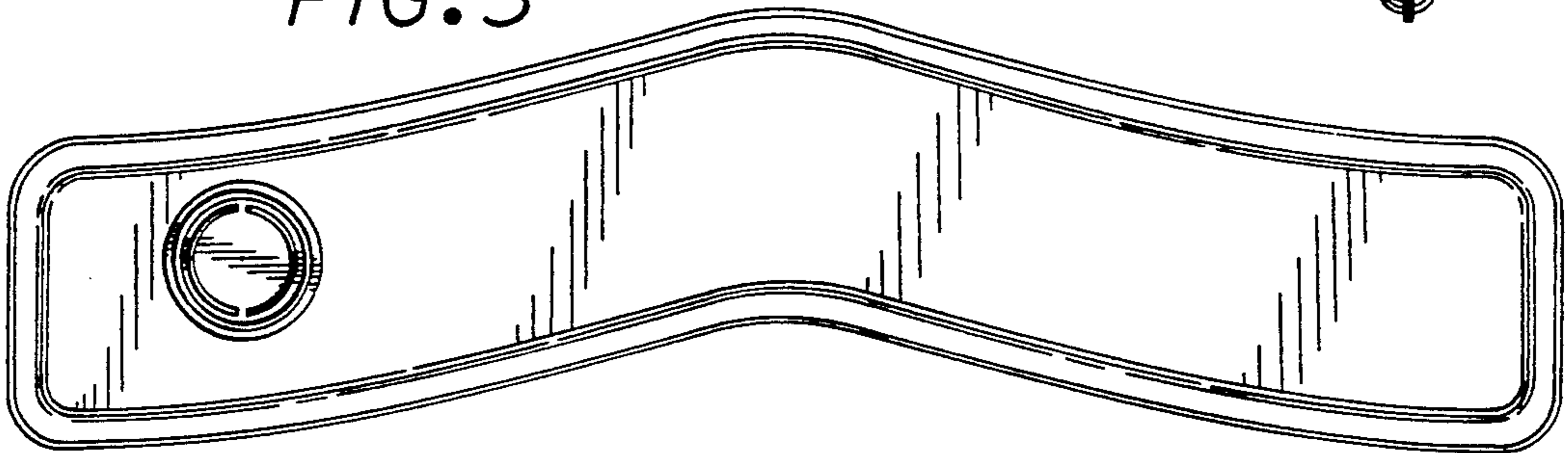


FIG. 4

FIG. 5



FIG. 6

