



US00D325088S

# United States Patent [19]

[11] Patent Number: Des. 325,088

O'Brien et al.

[45] Date of Patent: \*\* Mar. 31, 1992

[54] THERAPEUTIC ANKLE WRAP

[76] Inventors: Michael O'Brien, 901 N. Curtis Rd., Ste. 101, Boise, Id. 83706; Lorie Leishman, 1150 E. Ustick Rd., Meridian, Id. 83642

4,055,188 10/1977 Pelton .  
4,072,982 6/1978 Salem .  
4,592,358 6/1986 Westplate ..... 128/402  
4,676,247 6/1987 Van Cleve .

[\*\*] Term: 14 Years

Primary Examiner—Stella Reid  
Attorney, Agent, or Firm—Frank J. Dykas; Craig M. Korfanta; Ken J. Pedersen

[21] Appl. No.: 247,572

[57] CLAIM

[22] Filed: Sep. 22, 1988

The ornamental design for a therapeutic ankle wrap, as shown and described.

[52] U.S. Cl. .... D24/206; D24/200

[58] Field of Search ..... D24/64, 36, 43;  
128/402, 403, 78, DIG. 20

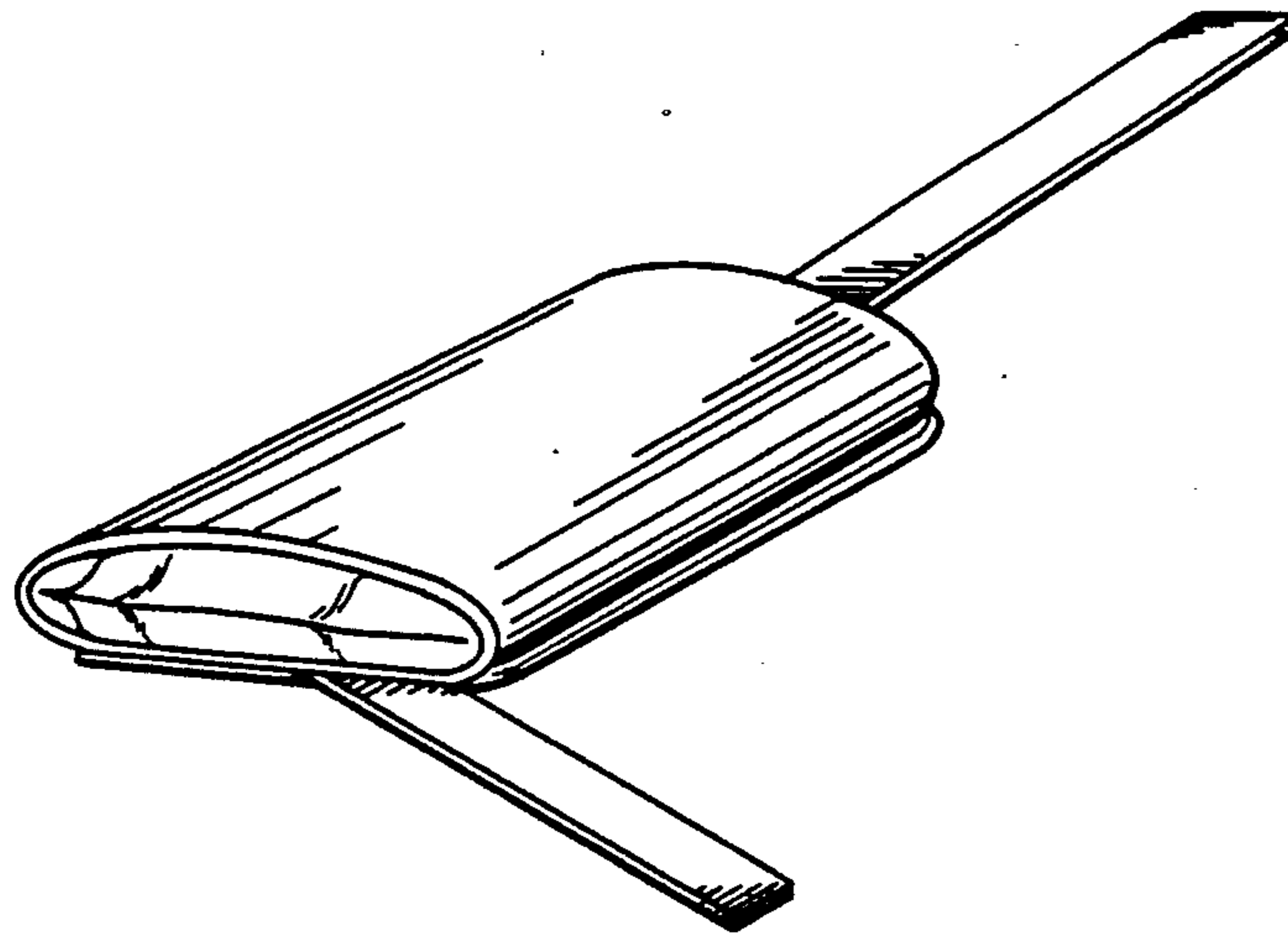
DESCRIPTION

[56] References Cited

U.S. PATENT DOCUMENTS

3,463,161 8/1969 Andrassy .  
3,822,705 7/1974 Pilotte .  
3,882,867 5/1975 Moran ..... 128/402  
3,900,035 8/1975 Welch et al. .

FIG. 1 is a top plan view of a therapeutic ankle wrap, showing my new design;  
FIG. 2 is a bottom plan view thereof;  
FIG. 3 is a perspective view thereof;  
FIG. 4 is an end elevational view thereof;  
FIG. 5 is an end elevational view thereof, opposite that shown in FIG. 4; and,  
FIG. 6 is a side elevational view thereof.



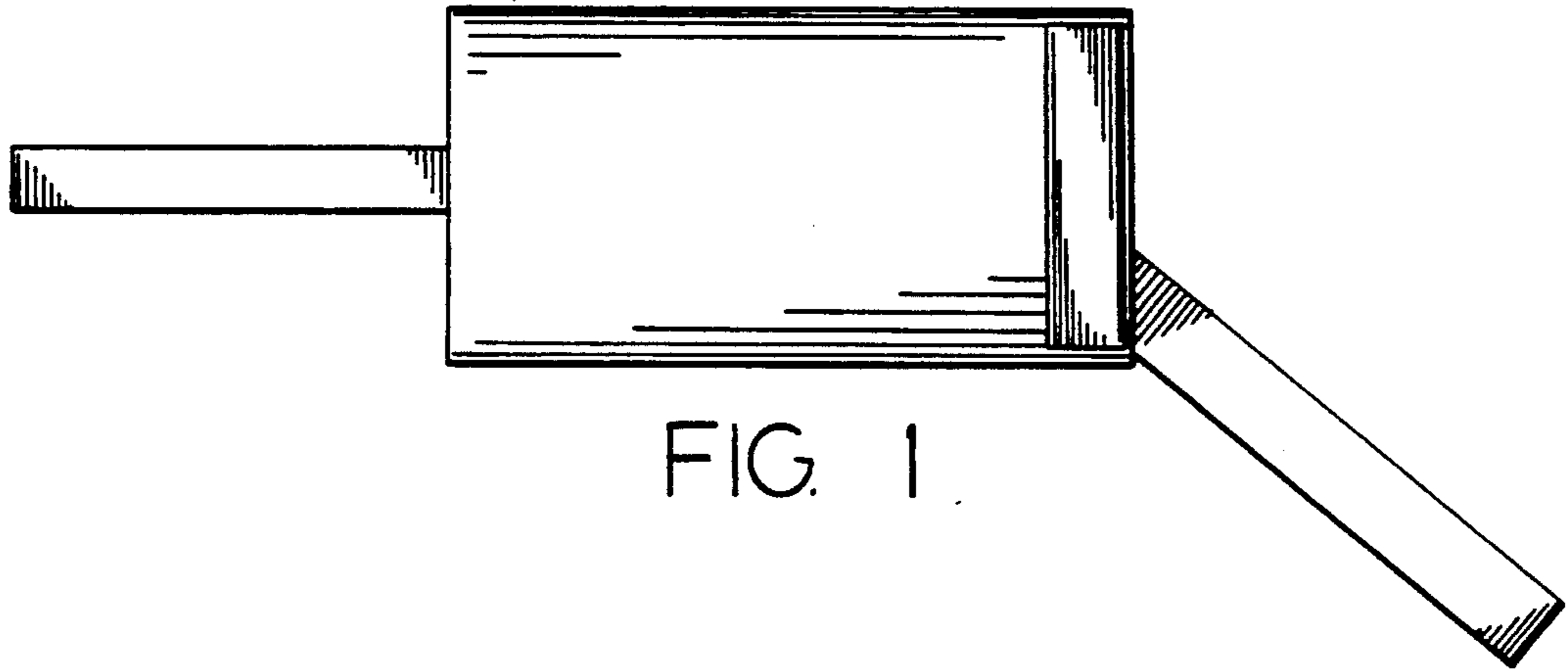


FIG. 1

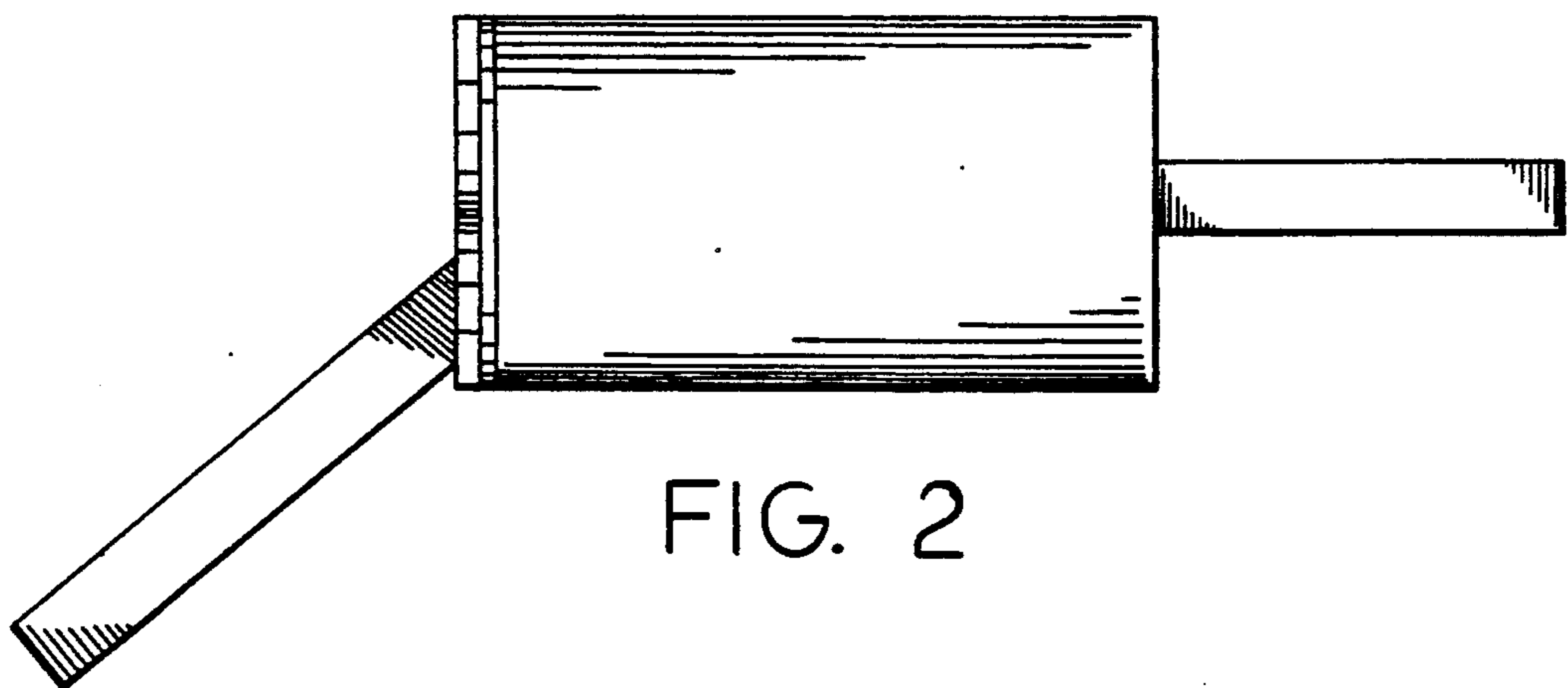


FIG. 2

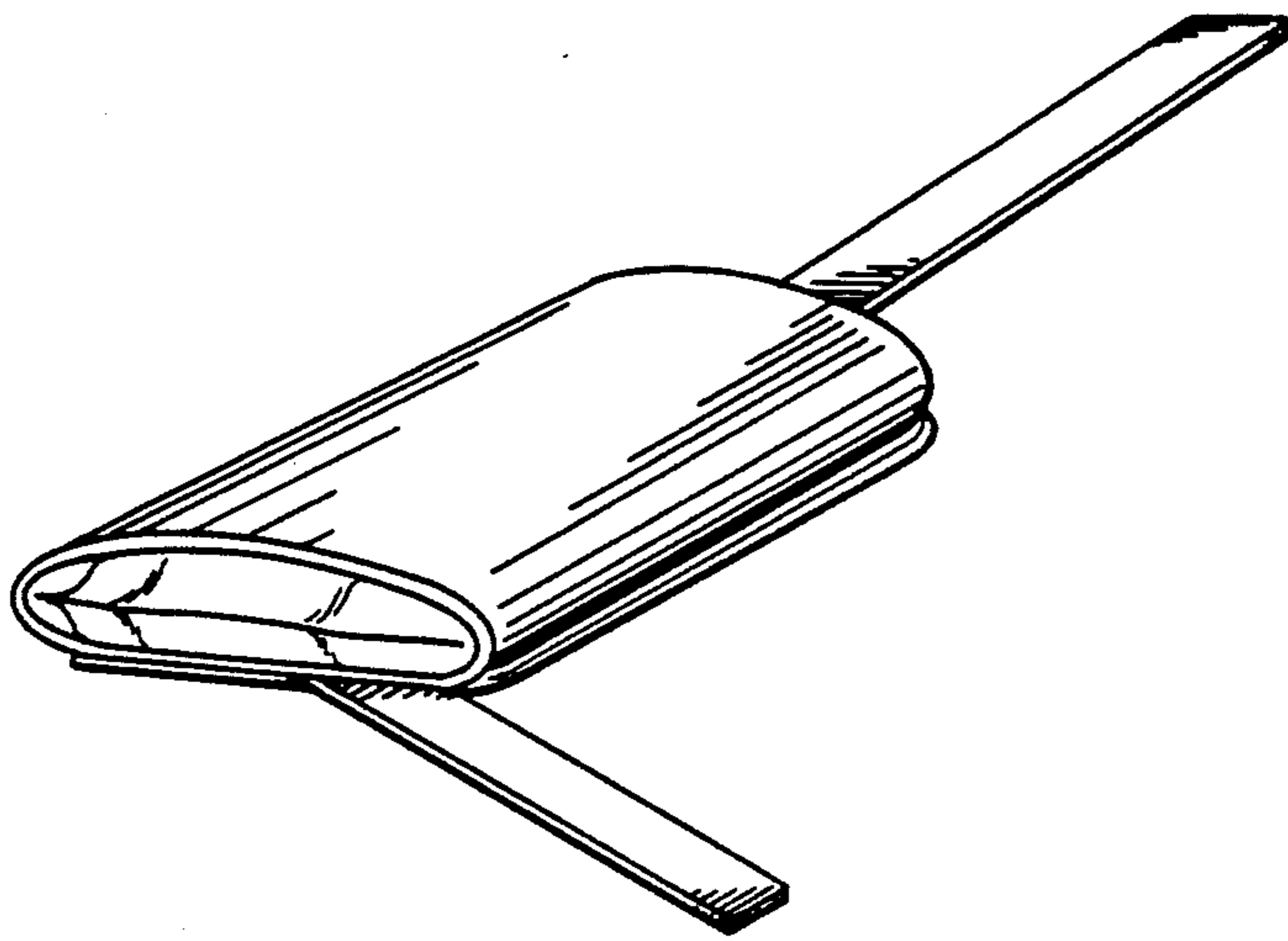


FIG. 3



FIG. 4



FIG. 5

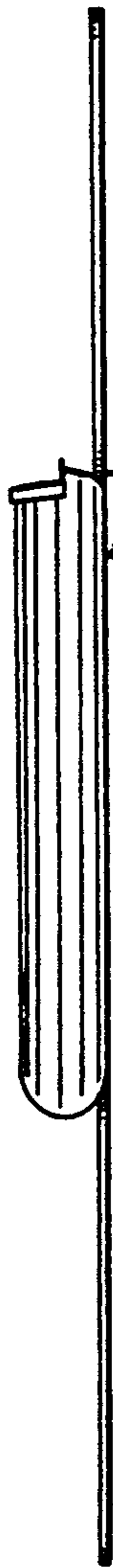


FIG. 6