



US00D325085S

# United States Patent [19]

[11] Patent Number: Des. 325,085

Brånemark et al.

[45] Date of Patent: \*\* Mar. 31, 1992

[54] ABUTMENT FOR DENTAL IMPLANT

[75] Inventors: Per-Ingvar Brånemark, Mölndal;  
Lars-Olof Öhrnell, Gothenburg, both  
of Sweden

[73] Assignee: Institute for Applied Biotechnology,  
Gothenburg, Sweden

[\*\*] Term: 14 Years

[21] Appl. No.: 327,872

[22] Filed: Mar. 23, 1989

[52] U.S. Cl. .... D24/156

[58] Field of Search ..... D24/176-182;  
433/191-195, 168.1, 169, 172-176; D8/385,  
354

### [56] References Cited

#### U.S. PATENT DOCUMENTS

D. 269,040	5/1983	Deemer	.....	D24/12 X
4,531,915	7/1985	Tatum, Jr.	.....	433/173
4,547,156	10/1985	Hader	.....	433/172
4,713,003	12/1987	Symington et al.	.....	433/173
4,824,372	4/1989	Jorneus et al.	.....	
4,850,870	7/1989	Lazzara et al.	.....	433/174
4,854,872	8/1989	Detsch	.....	433/174 X

#### OTHER PUBLICATIONS

"Single-tooth rehabilitation using osseointegration. A modified surgical and prosthodontic approach", *Quintessence International*, vol. 19, Dec. 1988, pp. 870-876.

Primary Examiner—Susan J. Lucas  
Assistant Examiner—M. H. Tung

Attorney, Agent, or Firm—Pollock, Vande Sande & Priddy

### [57] CLAIM

The ornamental design for an abutment for a dental implant, as shown and described.

### DESCRIPTION

FIG. 1 is a side elevational view of an abutment for a dental implant showing our new design, the other side being identical;

FIG. 2 is a top plan view thereof, the bottom being identical;

FIG. 3 is a left end elevational view thereof;

FIG. 4 is a right end elevational view thereof;

FIG. 5 is a side elevational view of a second embodiment thereof, the other side being identical;

FIG. 6 is a top plan view thereof;

FIG. 7 is a side elevational view of a third embodiment thereof, the other side being identical;

FIG. 8 is a top plan view thereof, the bottom being identical;

FIG. 9 is a left end elevational view thereof;

FIG. 10 is a right end elevational view thereof;

FIG. 11 is a side elevational view of a fourth embodiment thereof, the other side being identical;

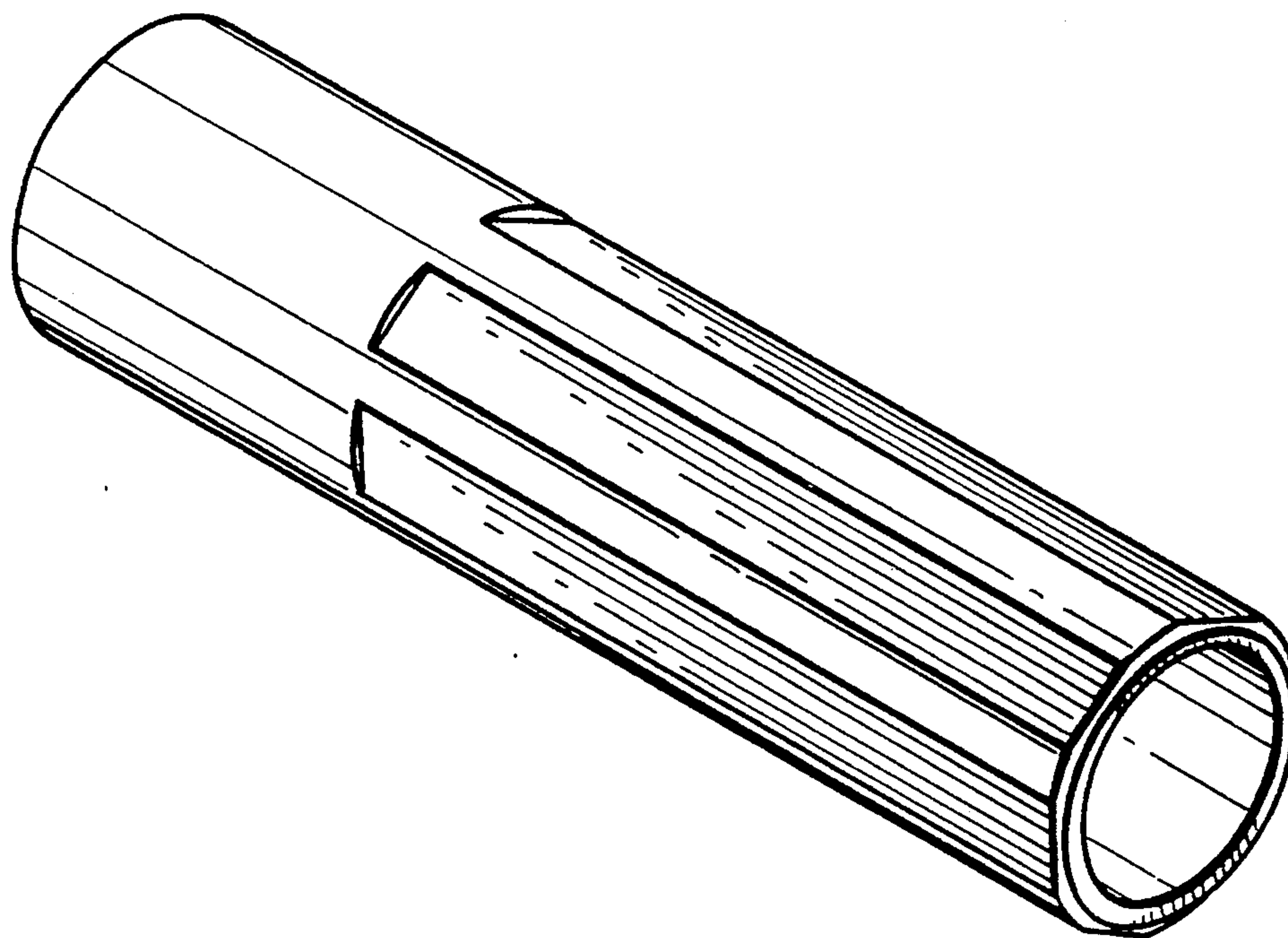
FIG. 12 is a top plan view thereof;

FIG. 13 is a perspective view of the embodiment shown in FIG. 1;

FIG. 14 is a perspective view of the second embodiment shown in FIG. 5;

FIG. 15 is a perspective view of the third embodiment shown in FIG. 7; and,

FIG. 16 is a perspective view of the fourth embodiment shown in FIG. 11.



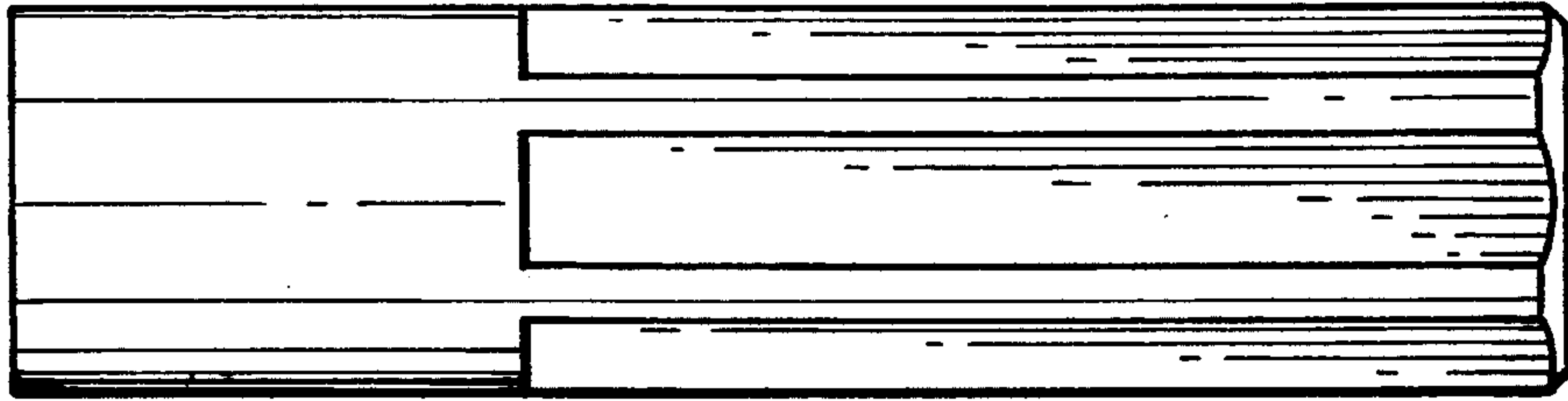


FIG. 1

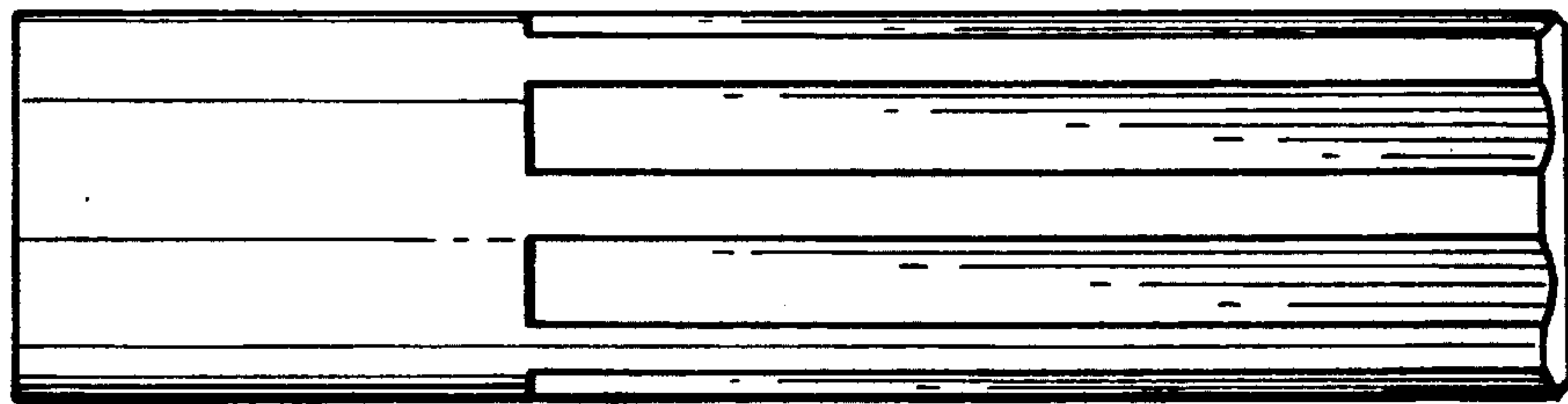


FIG. 2

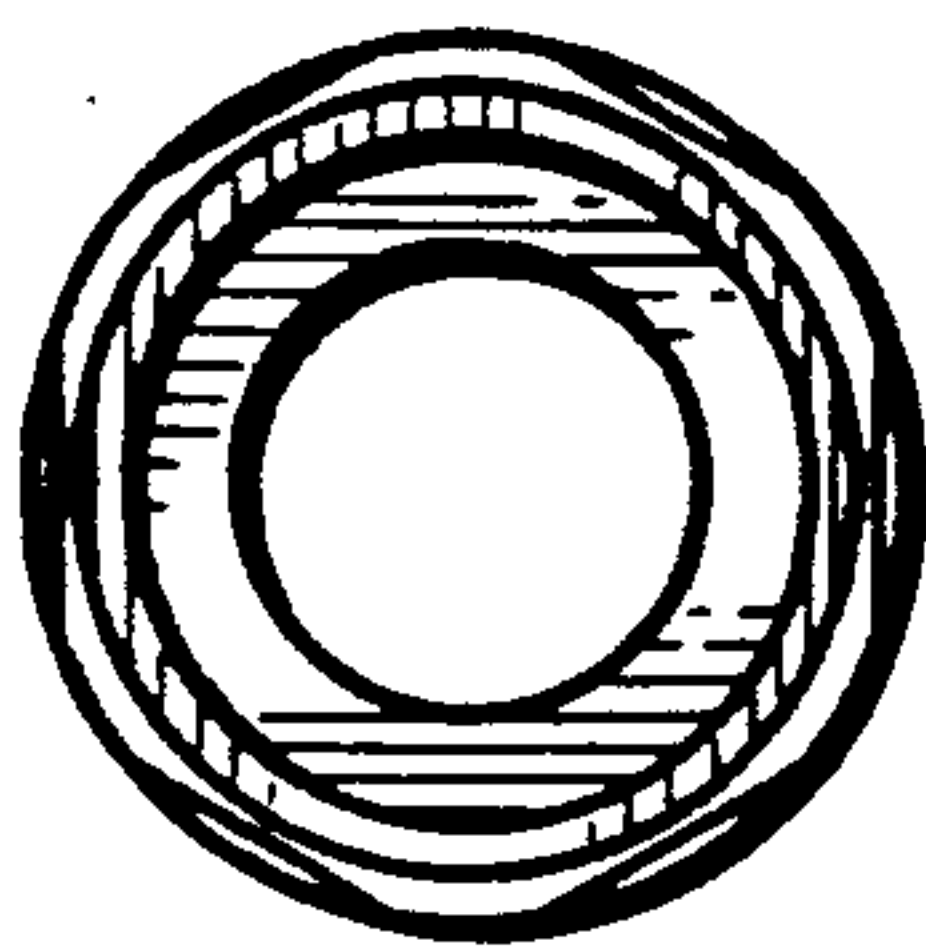


FIG. 3

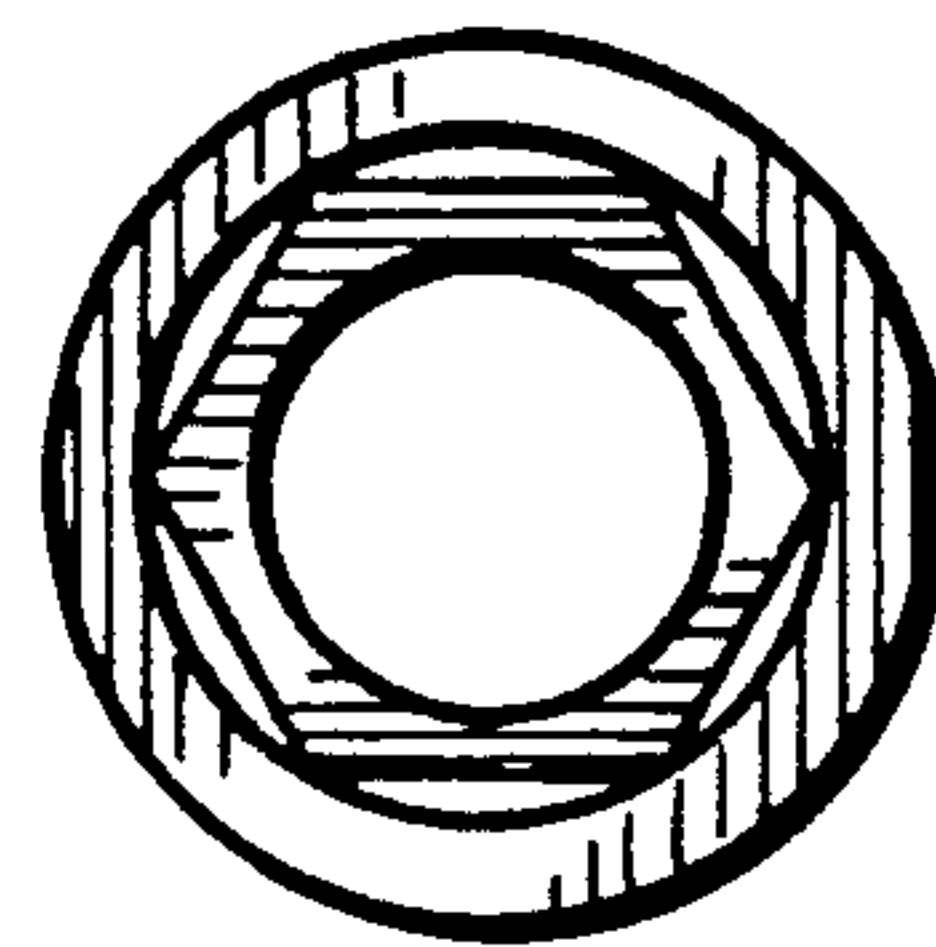
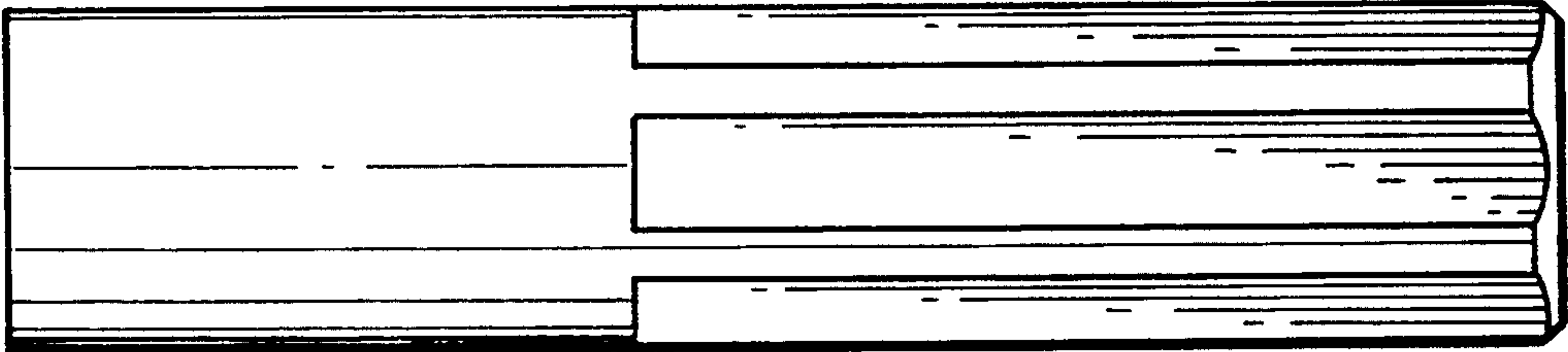
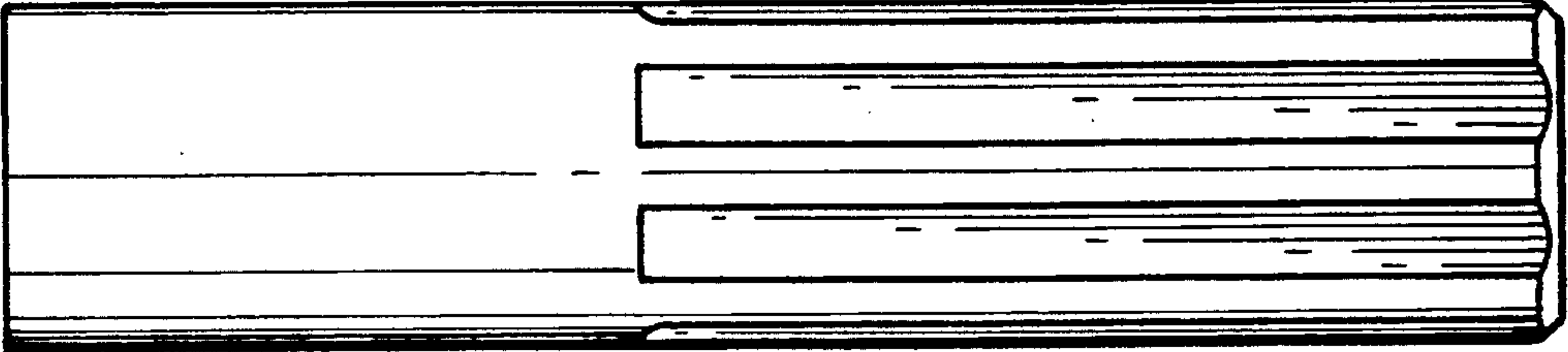


FIG. 4



*FIG. 5*



*FIG. 6*

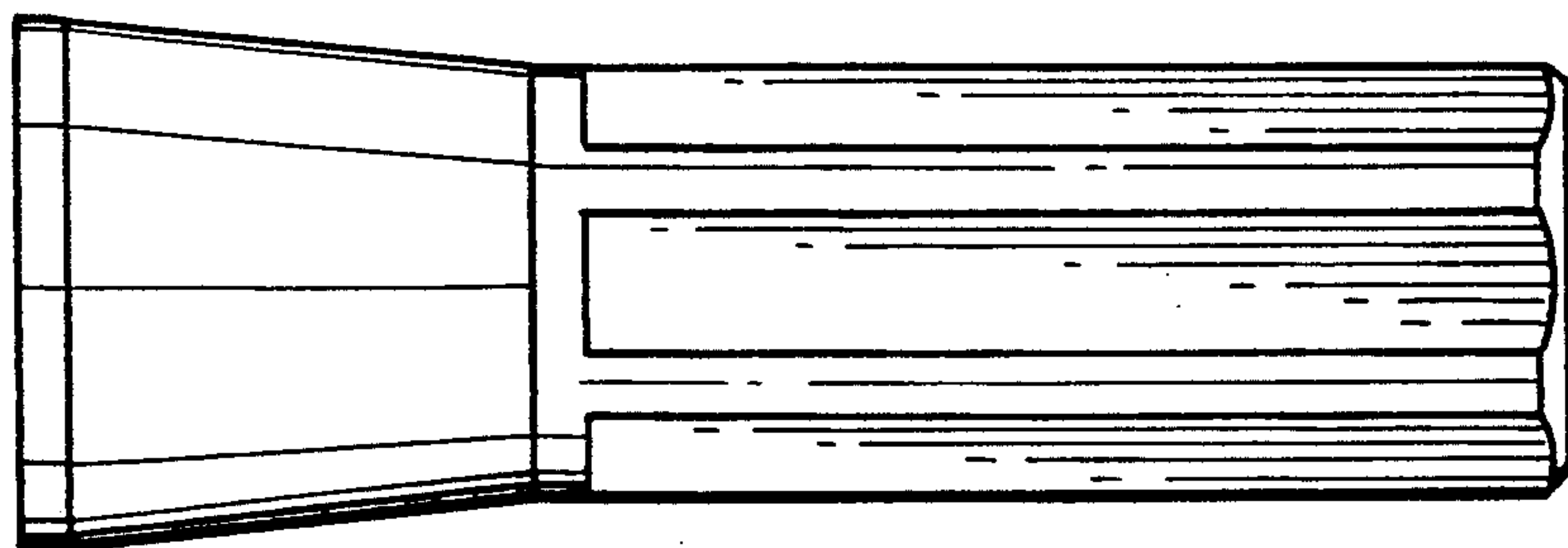


FIG. 7

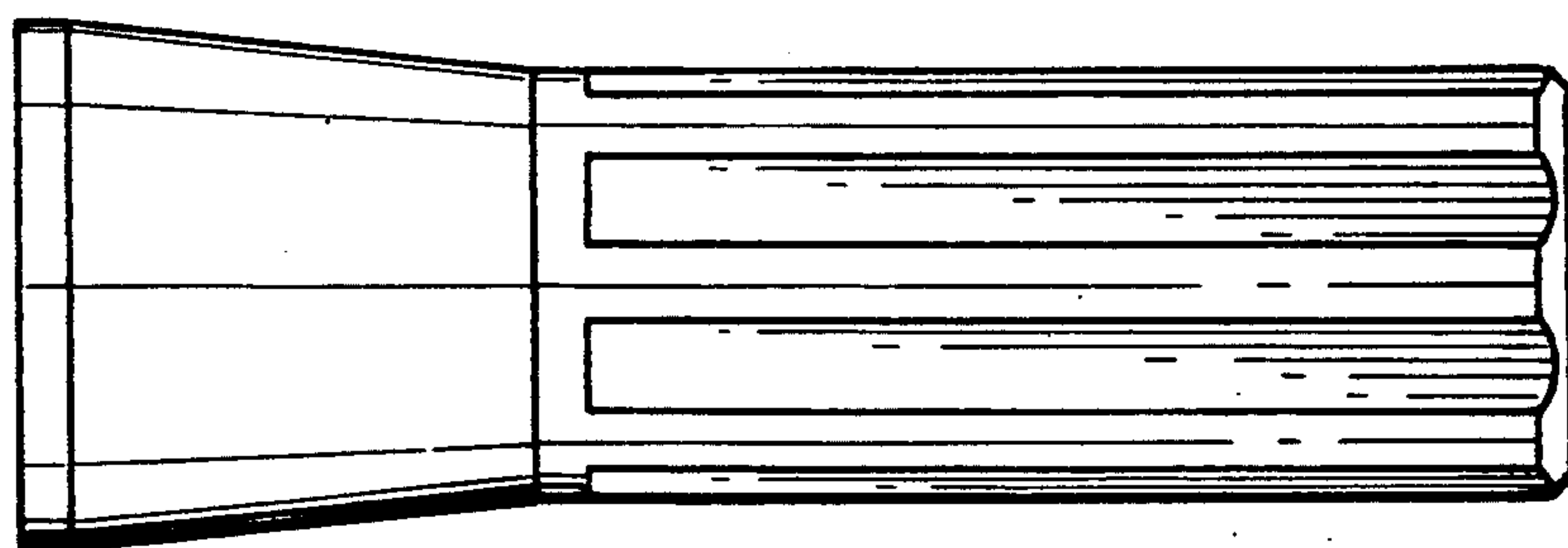


FIG. 8

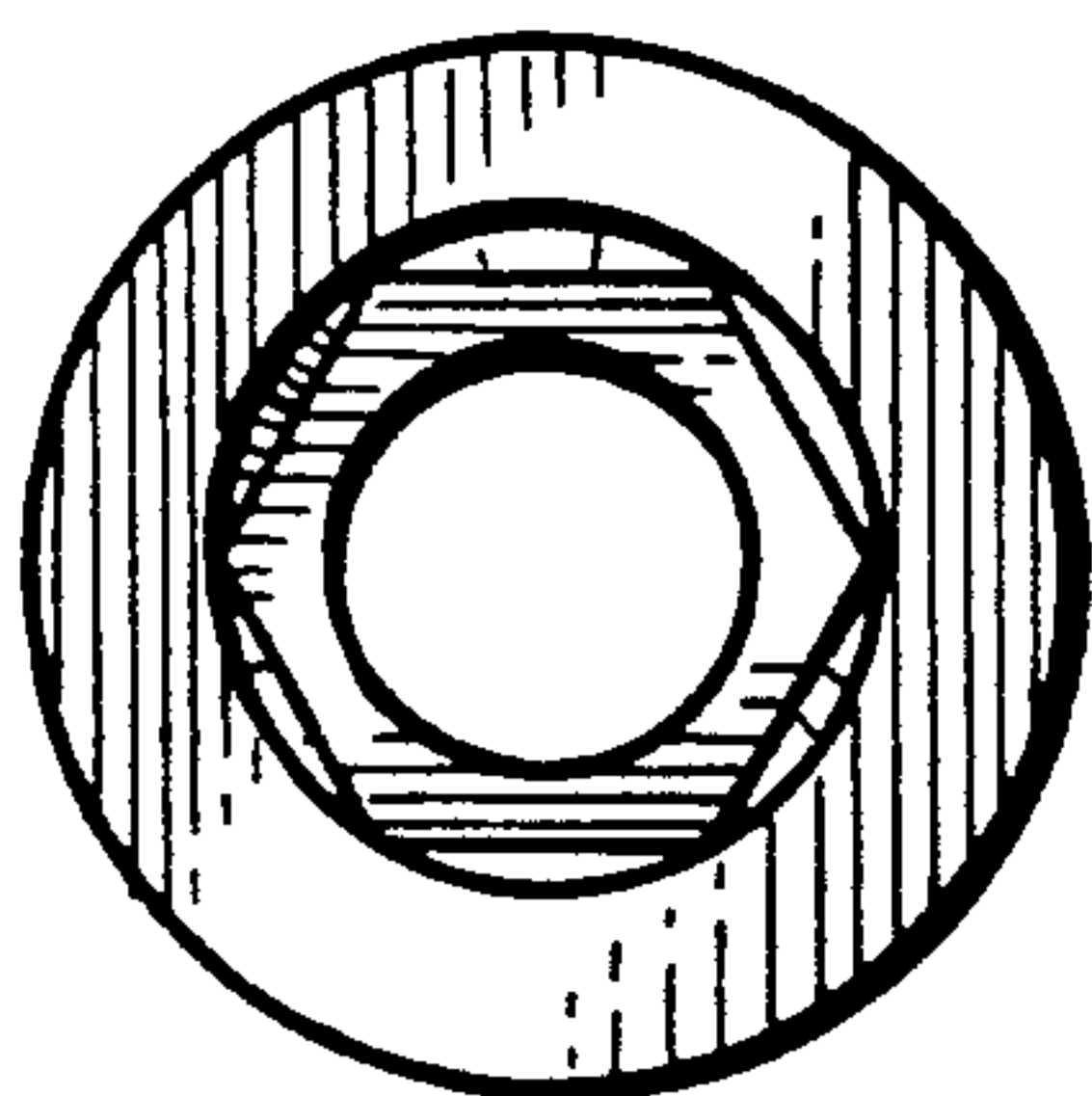


FIG. 9

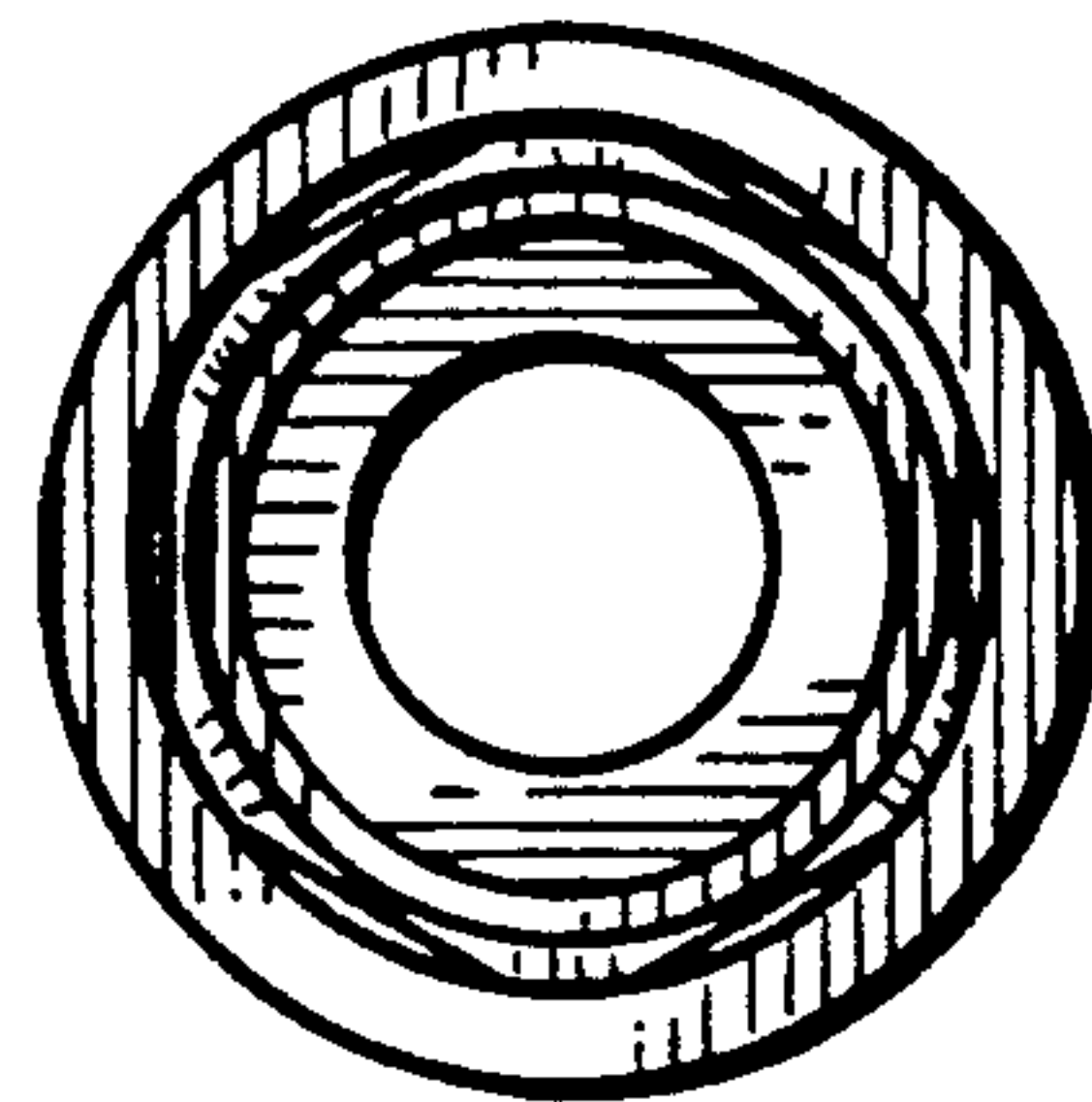
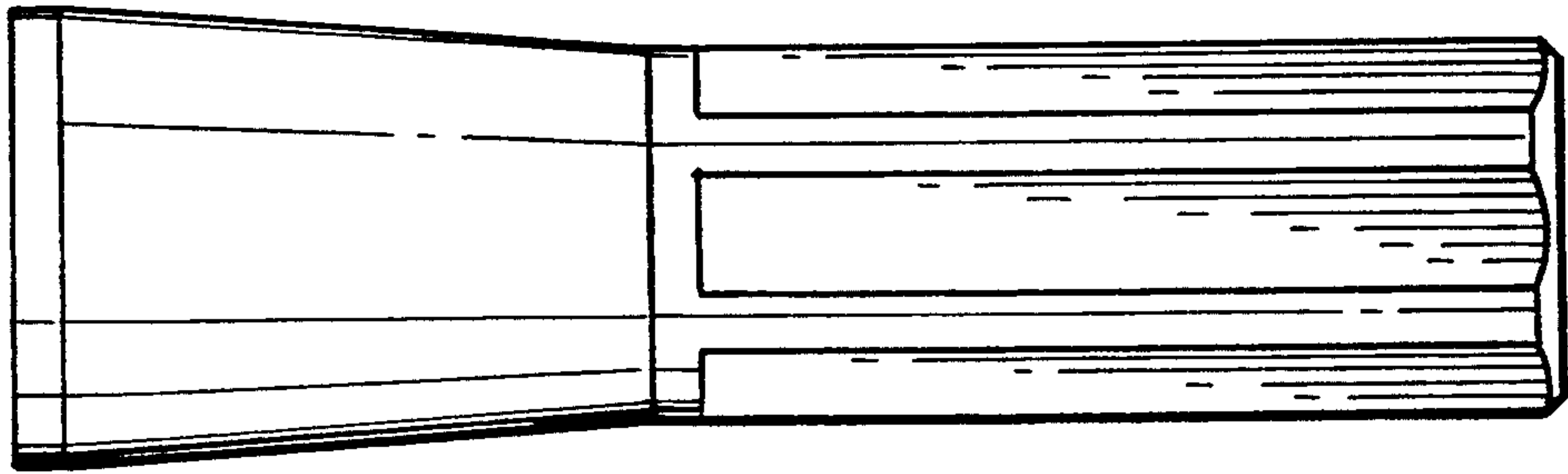
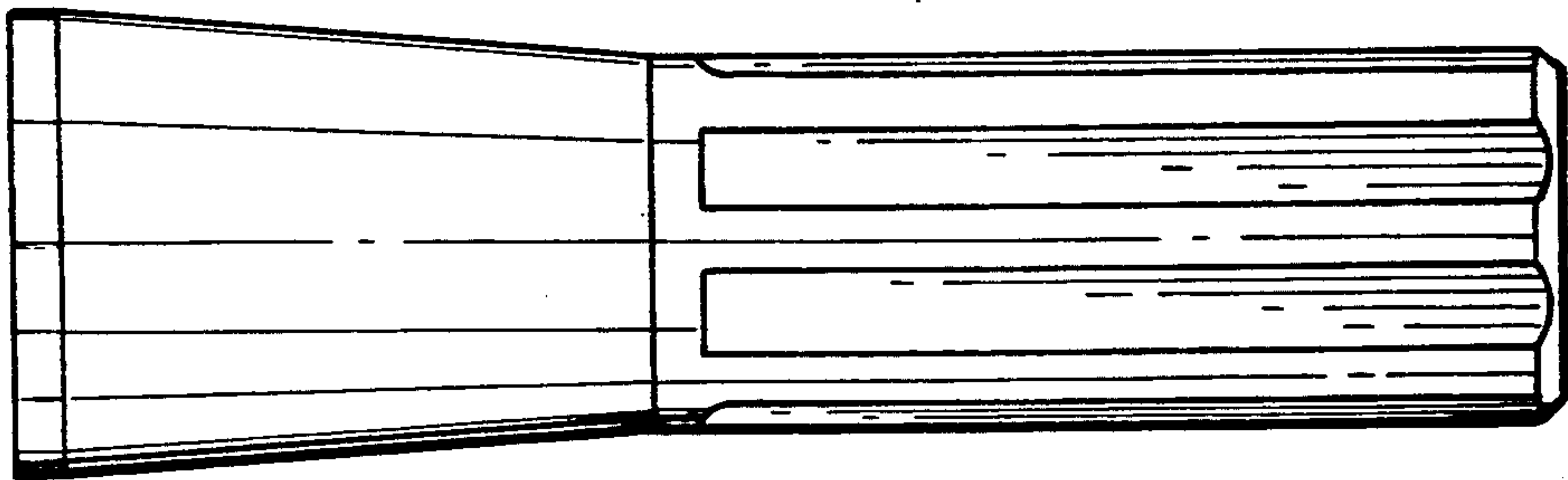


FIG. 10

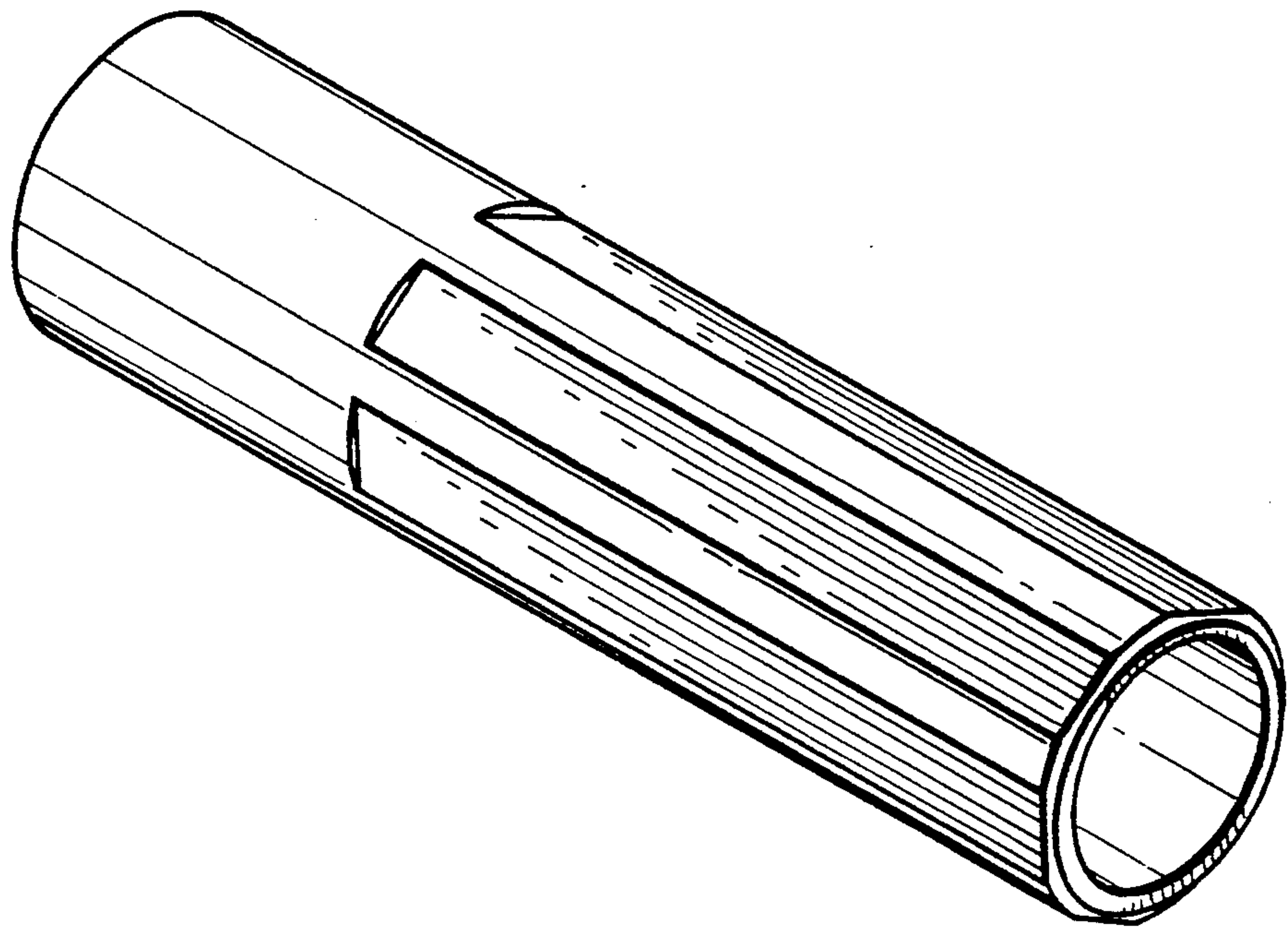


*FIG. 11*

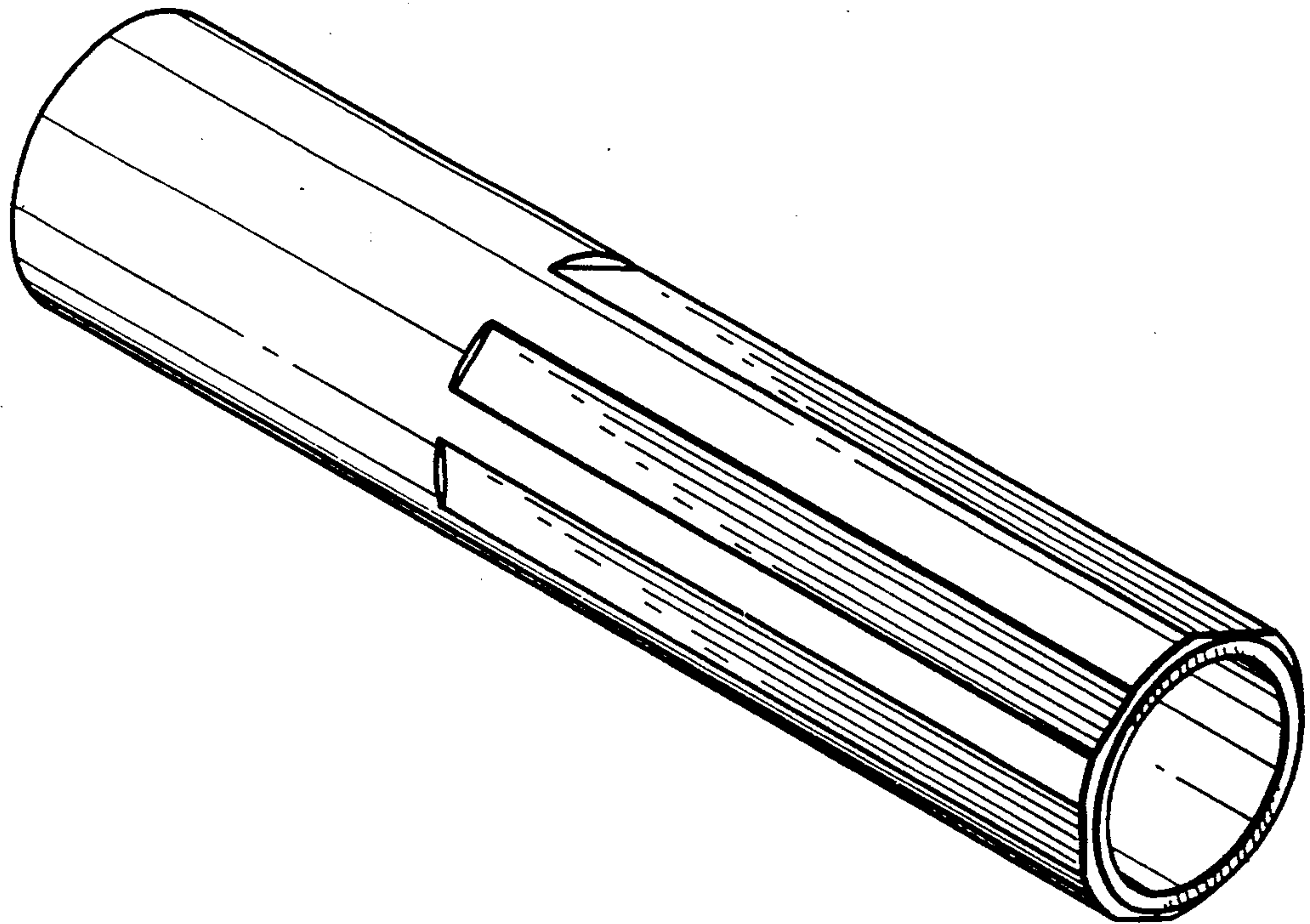


*FIG. 12*

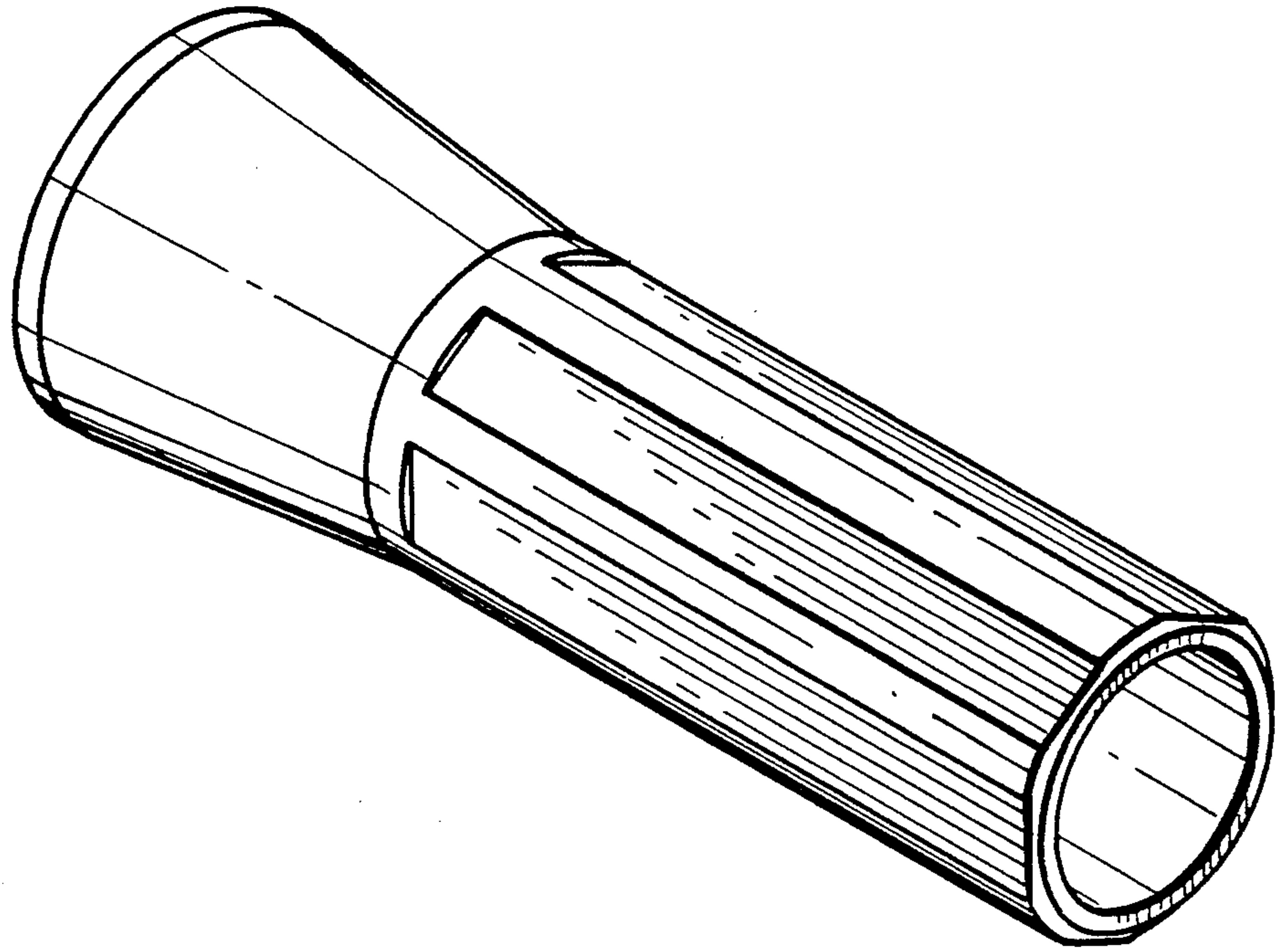




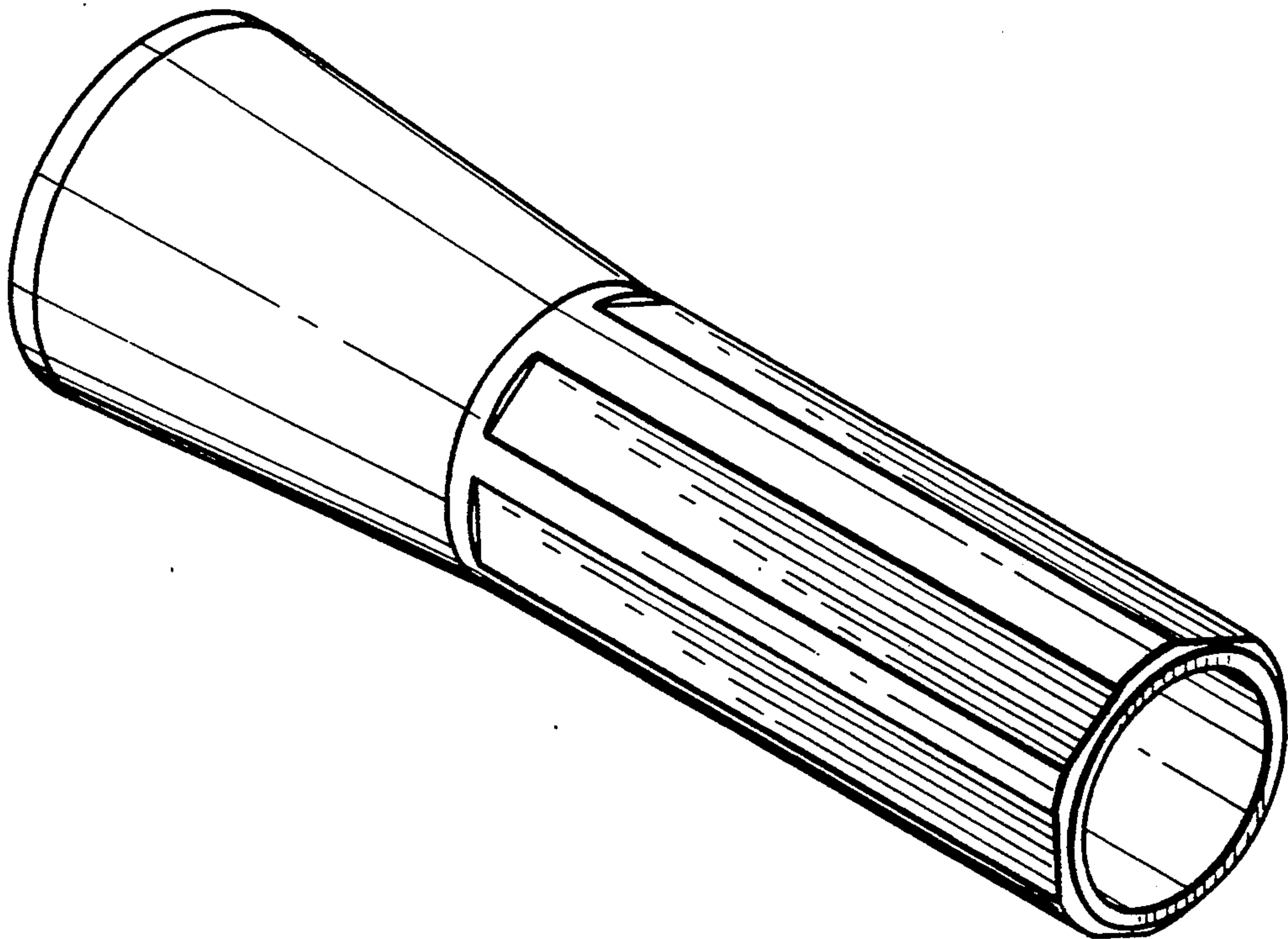
*FIG. 13*



*FIG. 14*



*FIG. 15*



*FIG. 16*