



US00D325082S

United States Patent [19]

[11] Patent Number: **Des. 325,082**

Lambert

[45] Date of Patent: **** Mar. 31, 1992**

[54] BACTERIA FILTER OR SIMILAR ARTICLE

[75] Inventor: **Hans R. Lambert**, Stockholm, Sweden

[73] Assignee: **Gibeck Respiration AB**, Sweden

[**] Term: **14 Years**

[21] Appl. No.: **286,777**

[22] Filed: **Dec. 20, 1988**

[52] U.S. Cl. **D24/111**

[58] Field of Search **D24/8, 21, 111; 210/323.1, 323.2, 321.87, 321.74, 304, 297; D23/207, 208, 209, 210; 128/203.27; 422/44, 45**

[56] References Cited

U.S. PATENT DOCUMENTS

D. 192,718	5/1962	Madl	D29/7
D. 253,721	12/1979	Gibeck	D24/21
D. 270,089	8/1983	Vcelka	D24/8
D. 299,269	1/1989	Pierson et al.	D24/8
3,903,884	9/1975	Huston	128/194
4,621,632	11/1986	Bartels	128/203.27

OTHER PUBLICATIONS

Cole-Parmer, p. 281, c. 1986, Micet Sensors—top left corner.

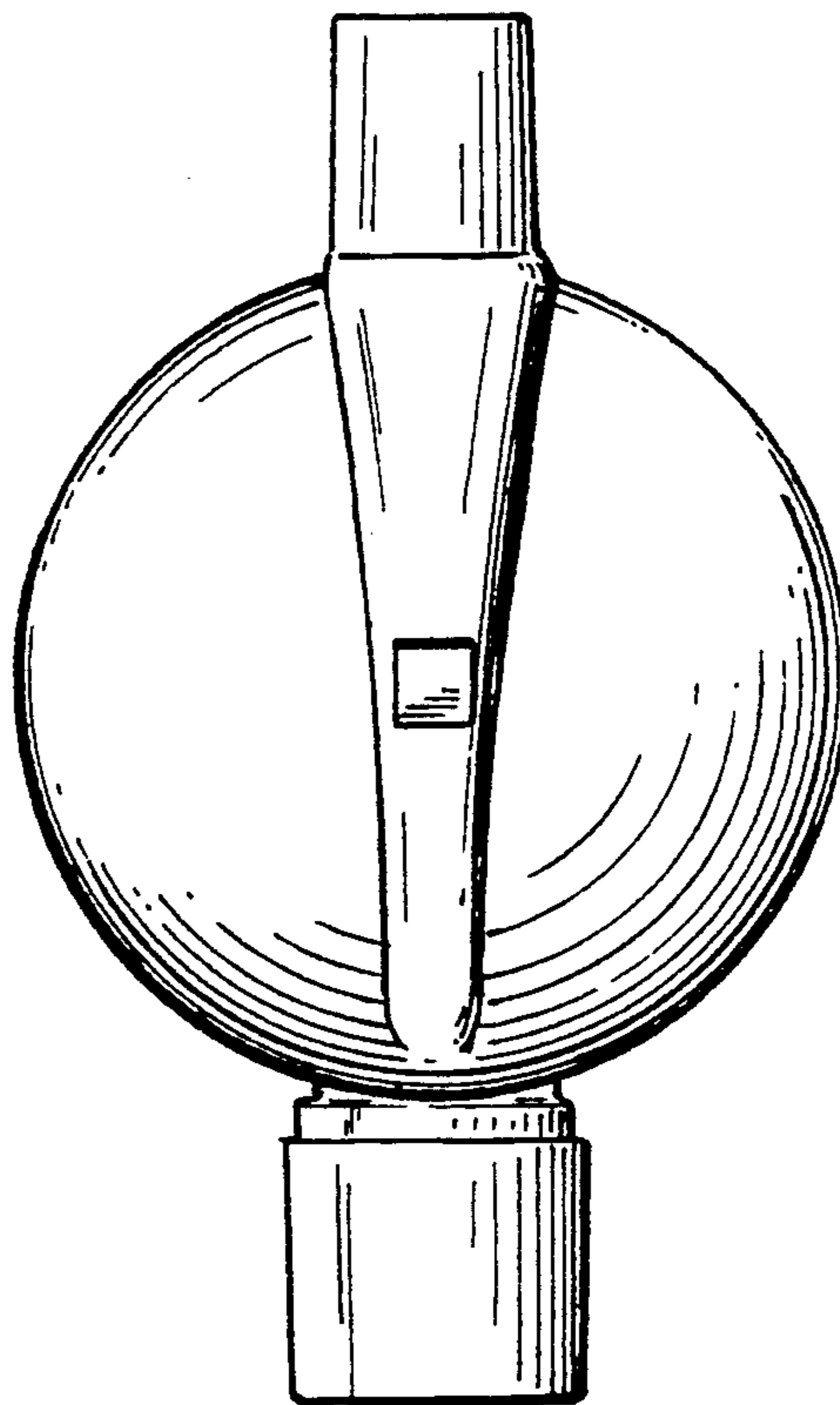
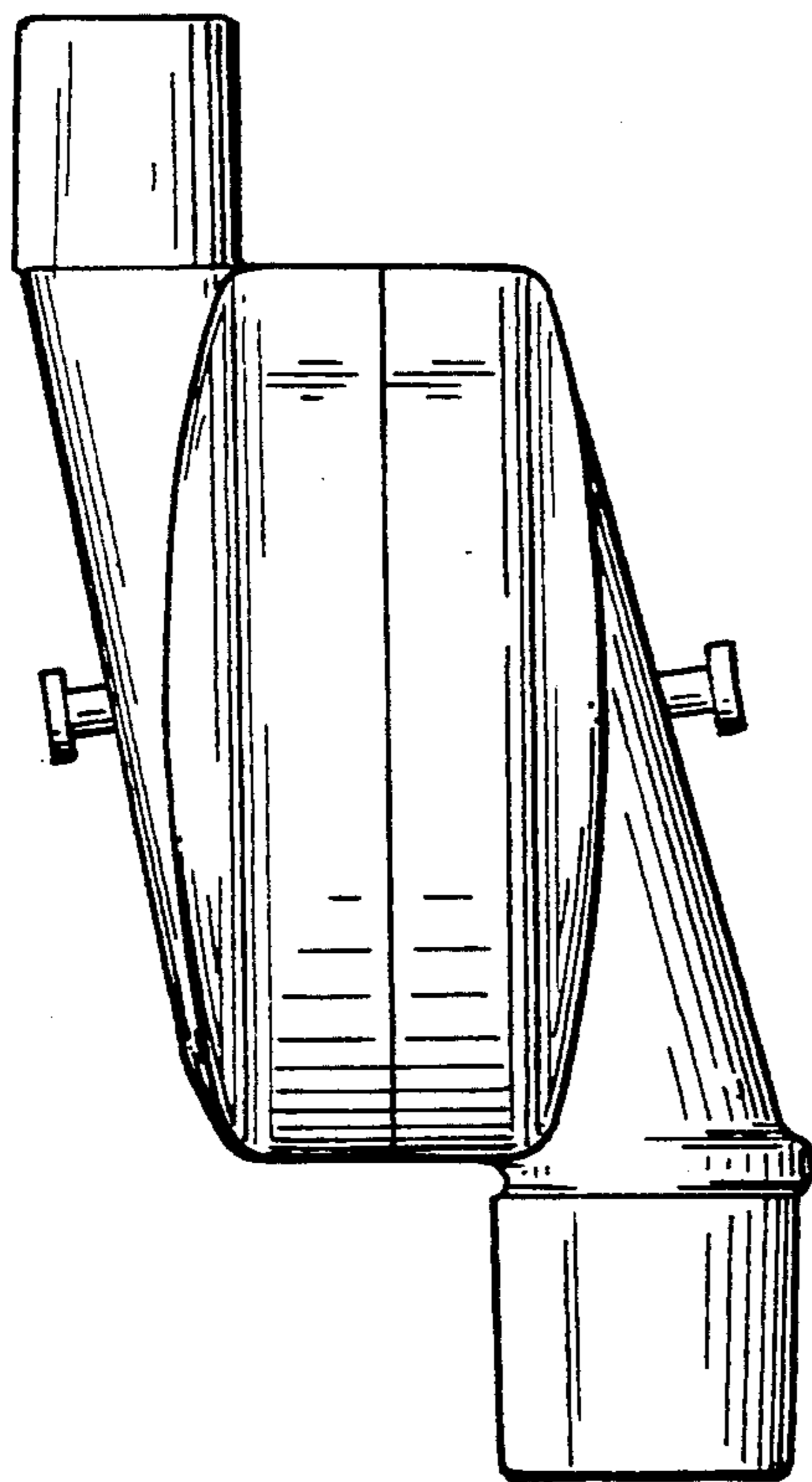
Primary Examiner—Wallace R. Burke
Assistant Examiner—Marcus Jackson
Attorney, Agent, or Firm—Hill, Van Santen, Steadman & Simpson

[57] CLAIM

The ornamental design for a bacteria filter or similar article, as shown and described.

DESCRIPTION

FIG. 1 is a right side elevational view of a bacteria filter or similar article showing my new design, with the opposite side being a mirror image;
FIG. 2 is a front elevational view thereof, with the rear being a mirror image;
FIG. 3 is a right side elevational view thereof, with the output port shown in alternate position; and,
FIG. 4 is a front elevational view thereof, with the output port shown in an alternate position.



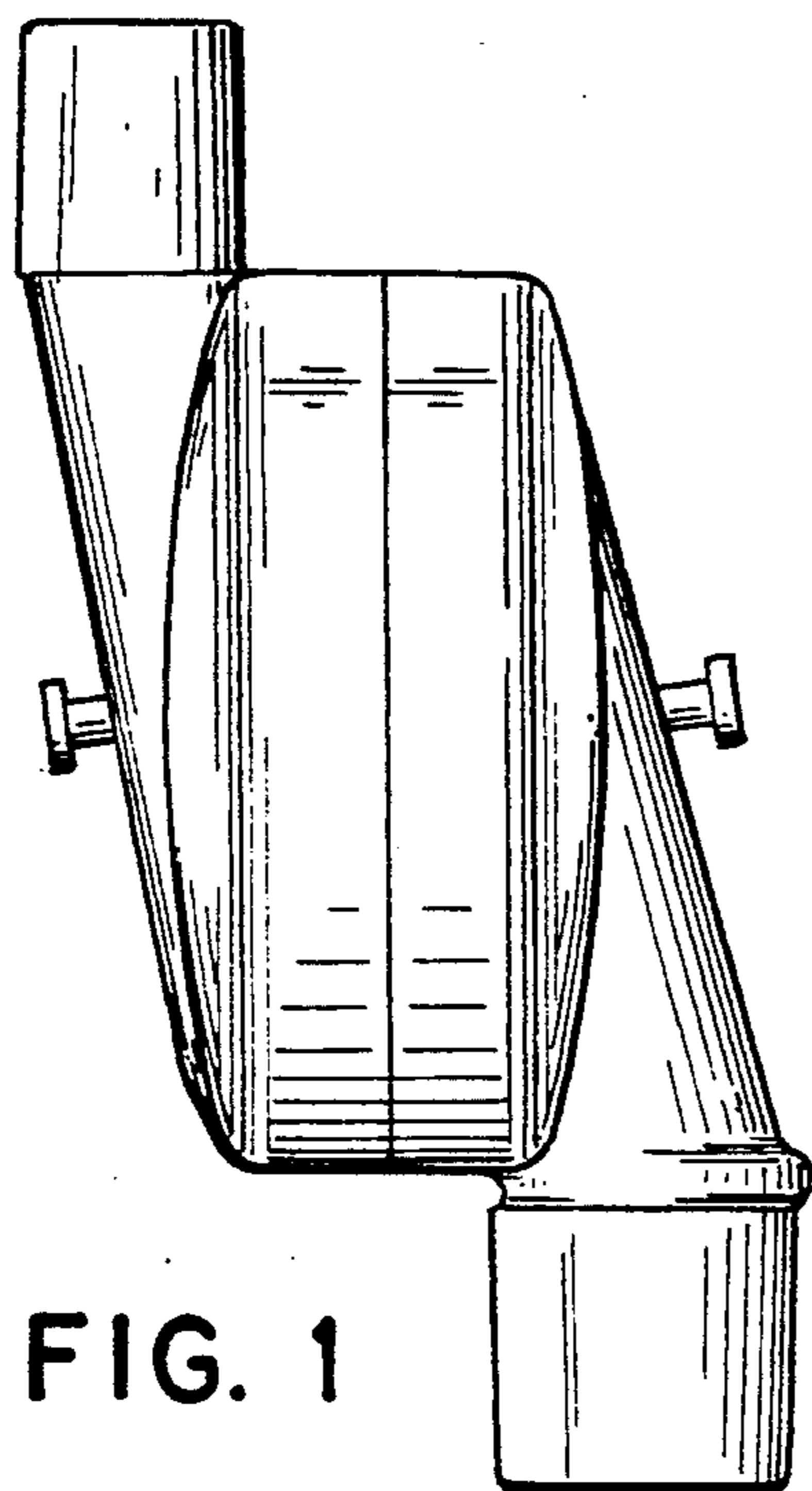


FIG. 1

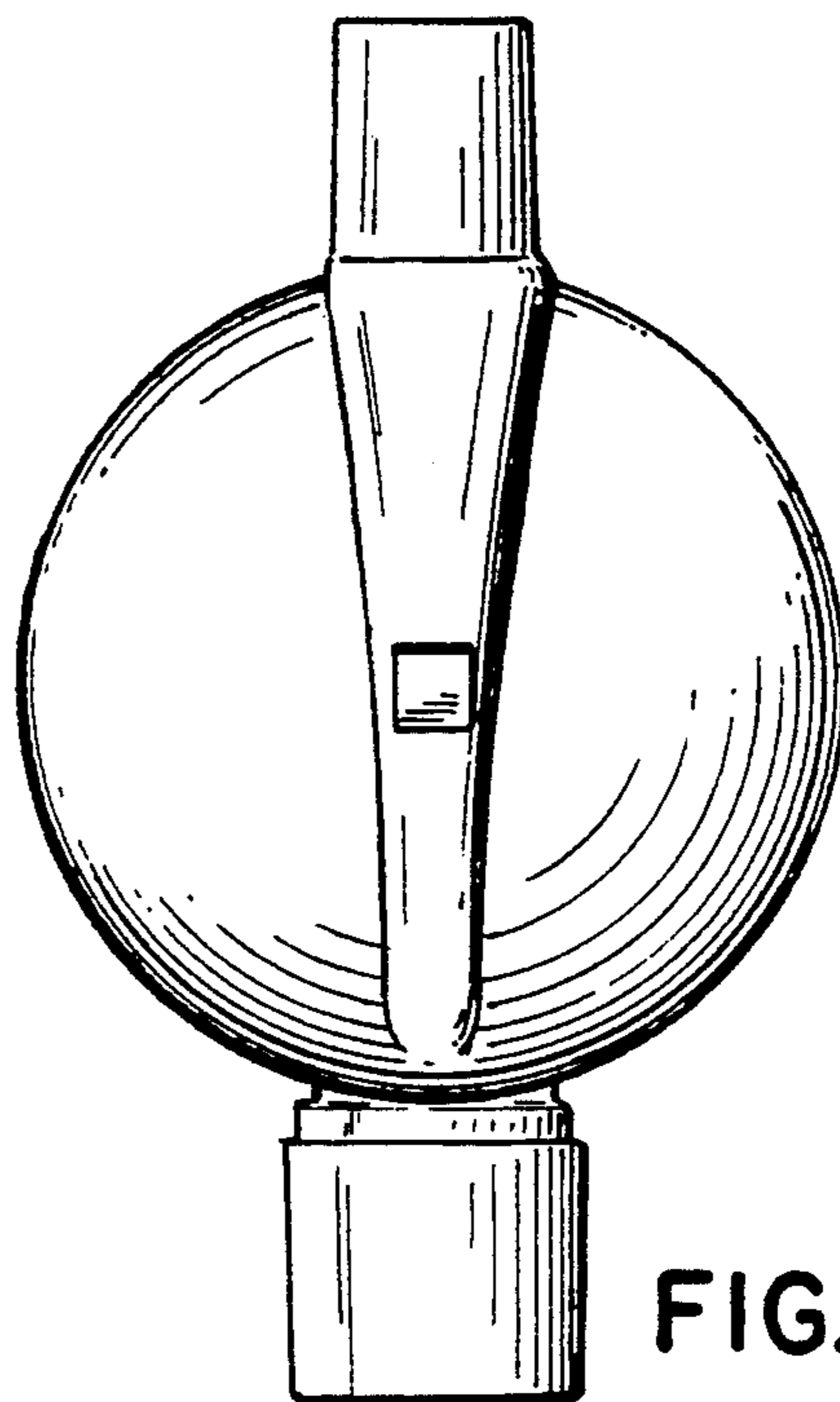


FIG. 2

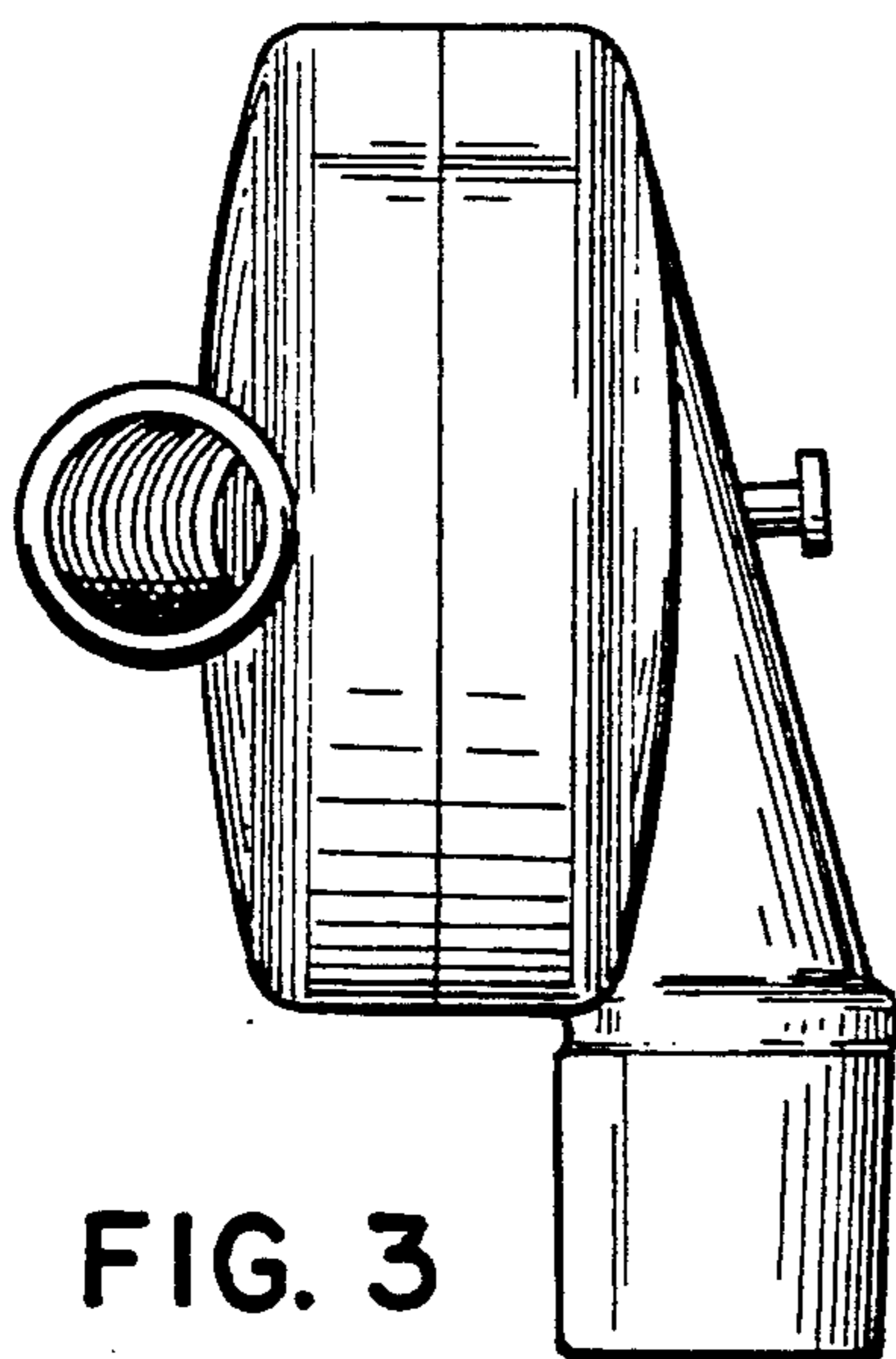


FIG. 3

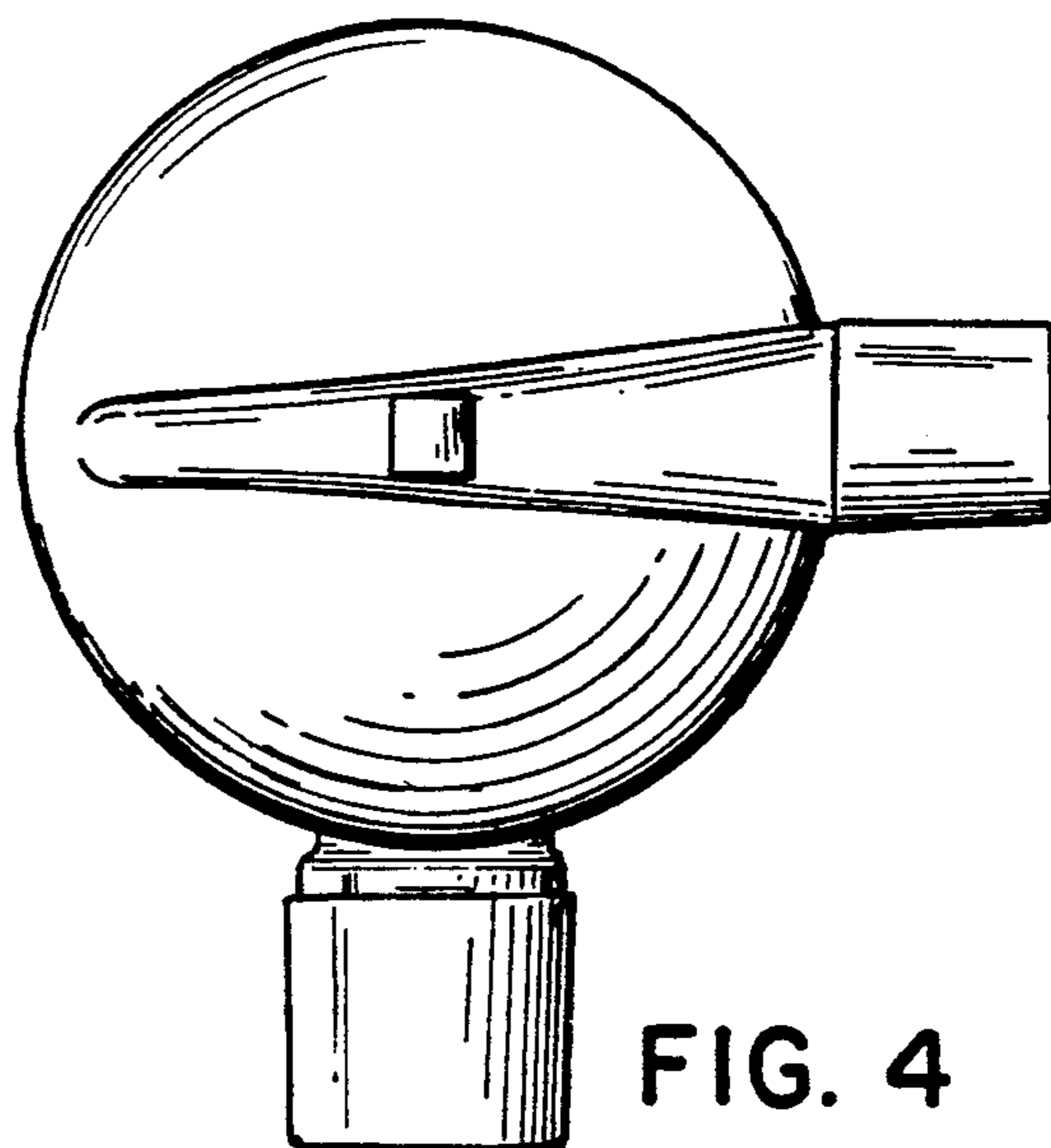


FIG. 4