



US00D325081S

# United States Patent [19] Michelson

[11] Patent Number: **Des. 325,081**  
[45] Date of Patent: **\*\* Mar. 31, 1992**

[54] SPINAL MARKING NEEDLE  
[76] Inventor: **Gary K. Michelson**, 438 Sherman Canal, Venice, Calif. 90291  
[\*\*] Term: **14 Years**  
[21] Appl. No.: **166,612**  
[22] Filed: **Mar. 11, 1988**  
[52] U.S. Cl. .... **D24/112**  
[58] Field of Search ..... **D24/24, 25, 26-28; 604/51, 44, 117, 52, 272, 158; 606/1, 15, 61, 96, 97, 130; 128/749, 751, 754, 755**

4,609,370 9/1986 Morrison ..... 128/754 X

*Primary Examiner*—Stella Reid  
*Attorney, Agent, or Firm*—Lewis Anten

### [57] CLAIM

The ornamental design for a spinal marking needle, as shown and described.

### DESCRIPTION

FIG. 1 is a right perspective view of a spinal marking needle, showing my new design, the broken line showing of the syringe is for illustrative purposes only and forms no part of the claimed design;  
FIG. 2 is a front elevational view thereof, the rear elevational view being a mirror image;  
FIG. 3 is a top plan view thereof, the rear elevational view being a mirror image;  
FIG. 4 is a bottom plan view thereof; and,  
FIG. 5 is a right side elevational view thereof, the left side elevational view being a mirror image.

### [56] References Cited

#### U.S. PATENT DOCUMENTS

D. 138,589 8/1944 Brandenburg ..... D24/24  
2,704,074 3/1955 Butler ..... 604/272  
2,952,256 9/1960 Meader et al. .... 604/272  
3,788,320 1/1974 Dye ..... 604/272 X

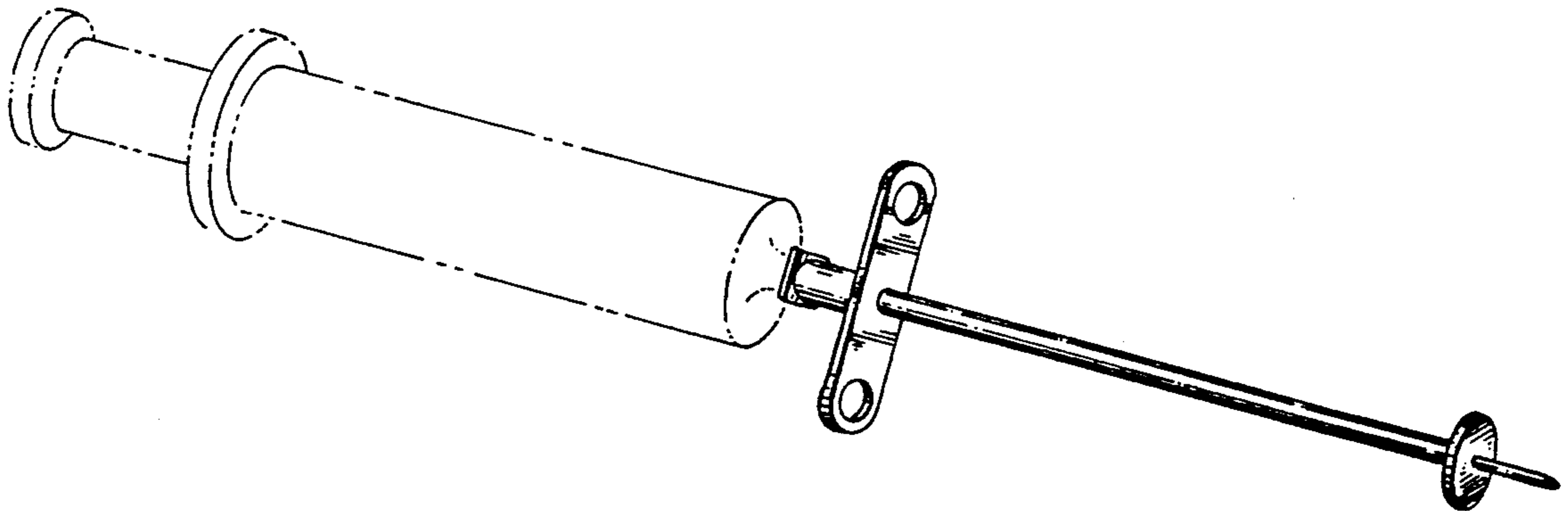


FIG. 1

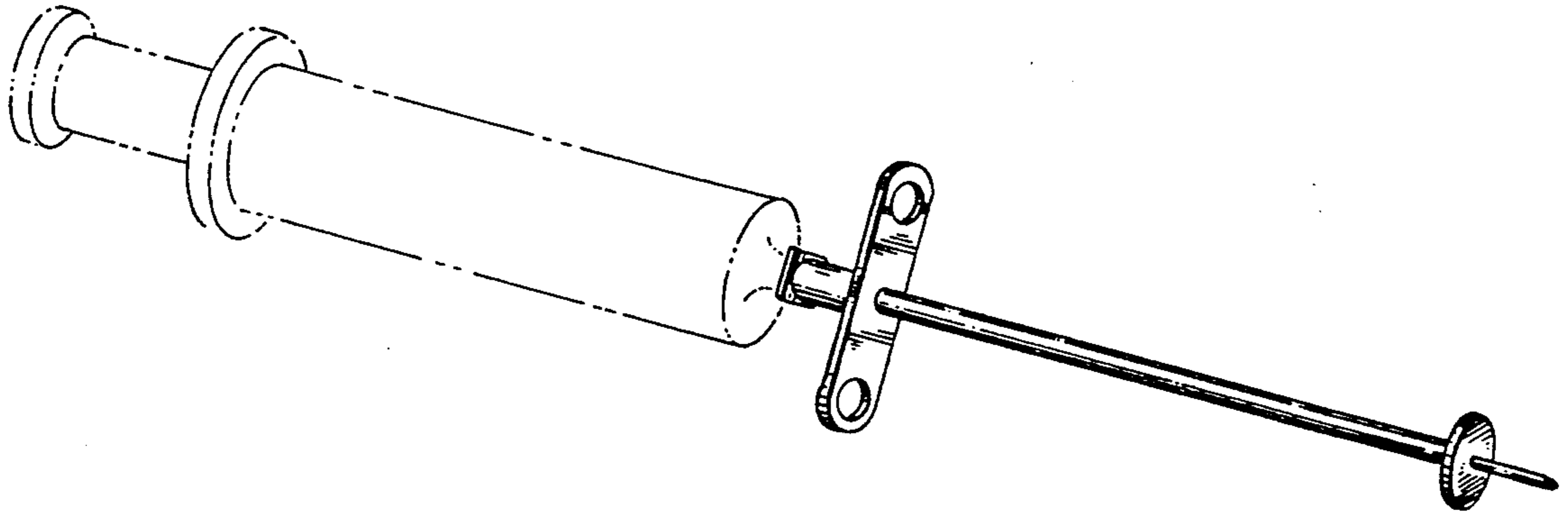


FIG. 2

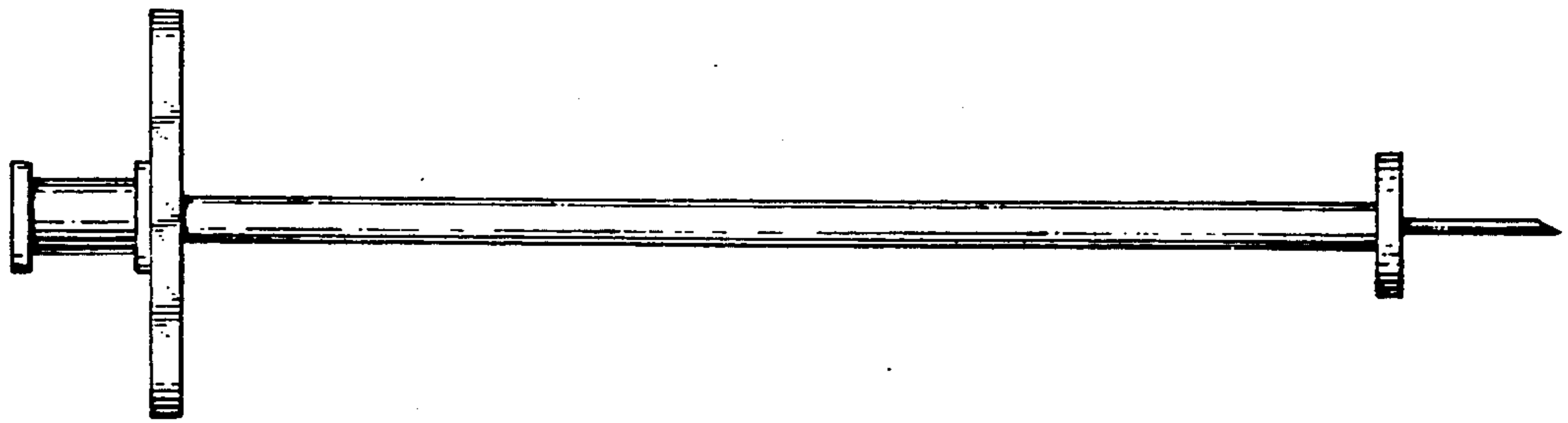


FIG. 3

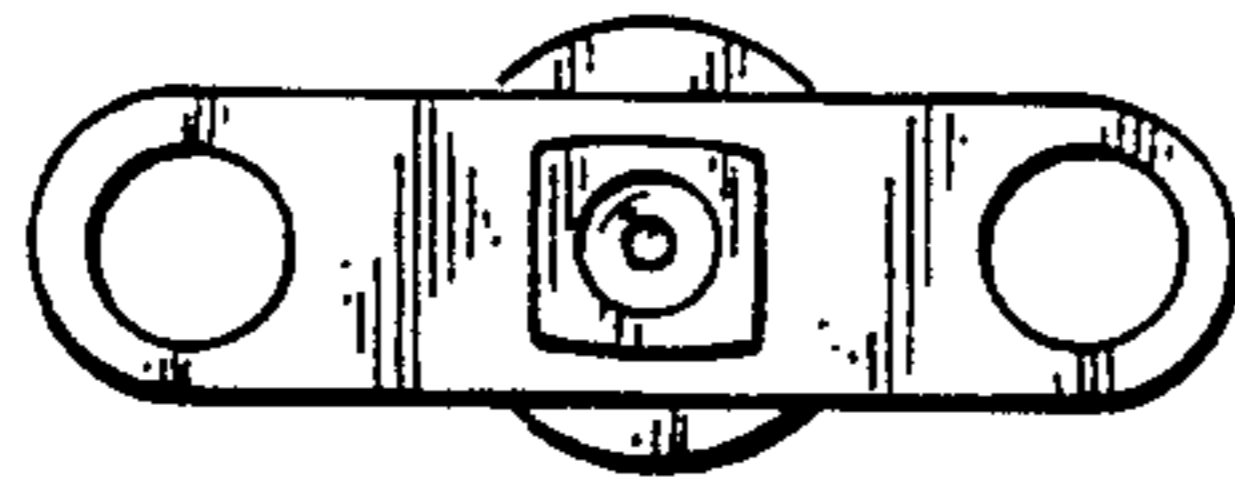


FIG. 4

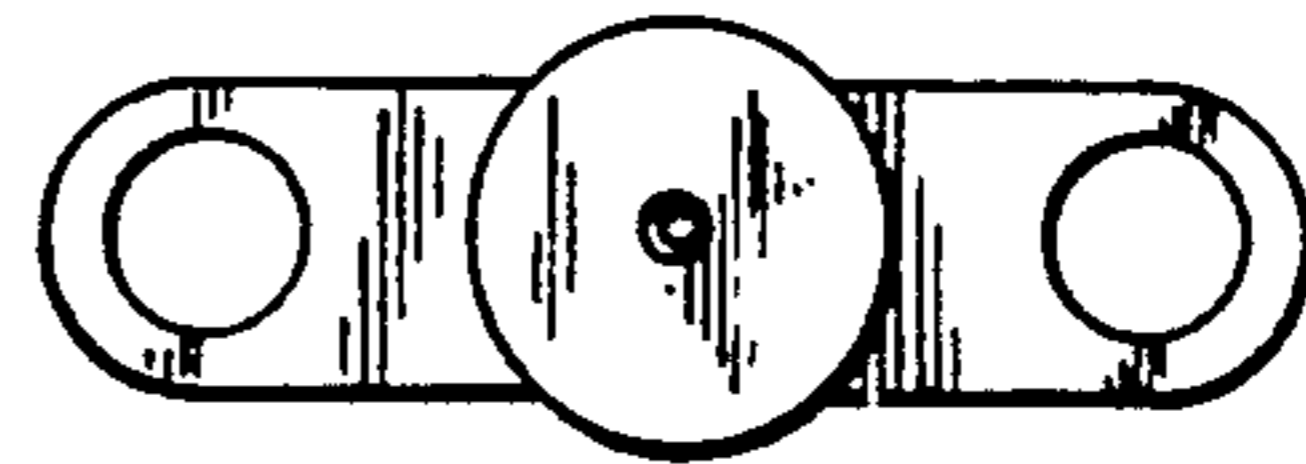


FIG. 5

