



US00D325079S

United States Patent [19]

[11] Patent Number: **Des. 325,079**

Chaim

[45] Date of Patent: **** Mar. 31, 1992**

[54] **TABLE FAN**

1,934,970 11/1933 Davis 366/325
3,156,278 11/1964 Otto 366/325

[75] Inventor: **Barry Chaim, Toronto, Canada**

[73] Assignee: **Gamex International Inc., Richmond Hill, Canada**

[**] Term: **14 Years**

[21] Appl. No.: **533,692**

[22] Filed: **Jun. 4, 1990**

[30] **Foreign Application Priority Data**

Dec. 5, 1989 [CA] Canada 0512897

[52] U.S. Cl. **D23/379**

[58] Field of Search D23/379, 382, 381;
366/325, 279; D7/376, 377, 415

[56] **References Cited**

U.S. PATENT DOCUMENTS

D. 270,941 10/1983 Lin D23/382
D. 294,968 3/1988 Shin-Chin D23/382
D. 319,099 8/1991 Cheslock et al. D23/382

OTHER PUBLICATIONS

Hong Kong Enterprise 11/87, p. 444, Mini Fans 68318, 6831mf, 669f, 668f, top right sides of page.

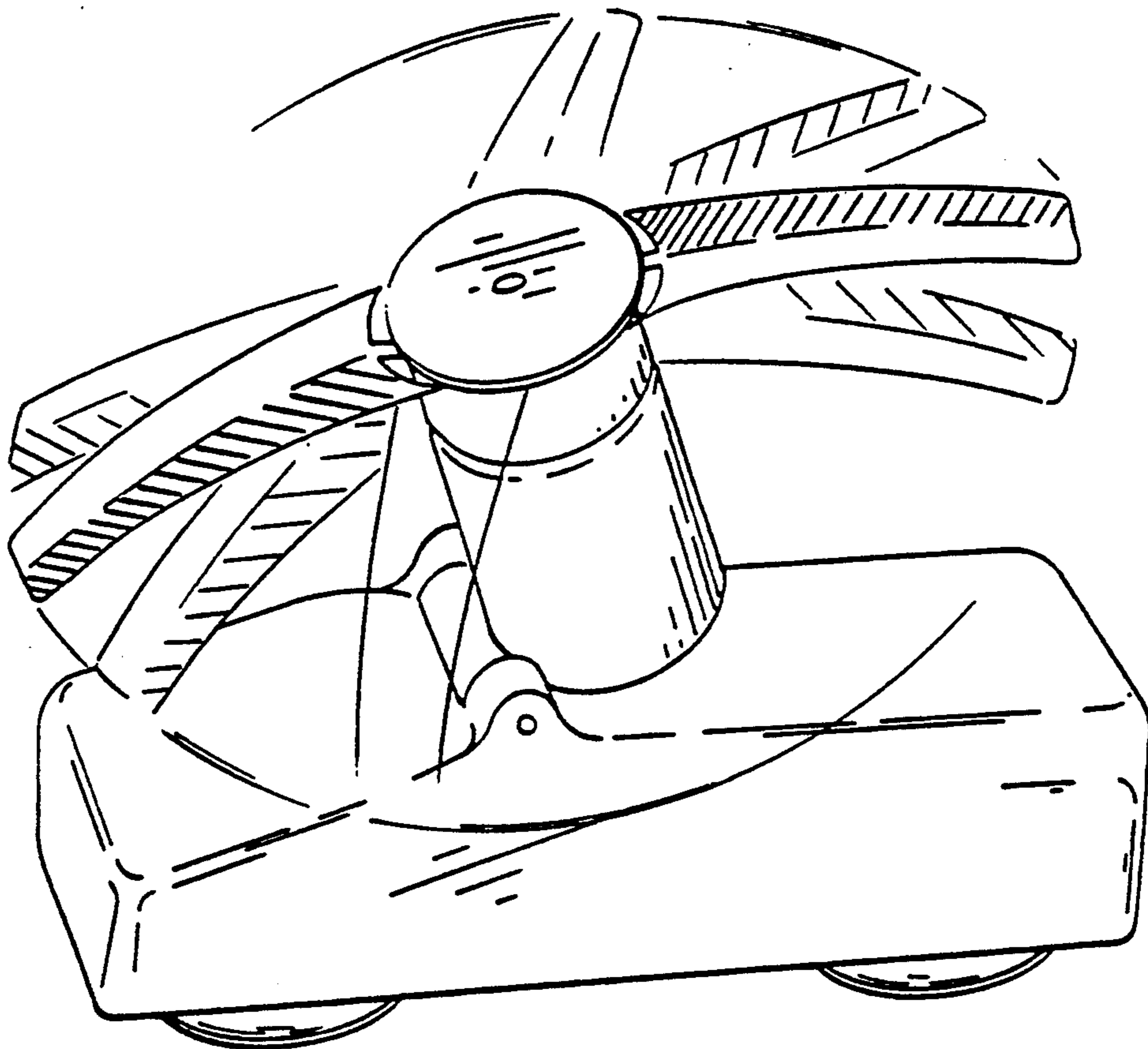
Primary Examiner—James M. Gandy
Assistant Examiner—Lisa Lichtenstein

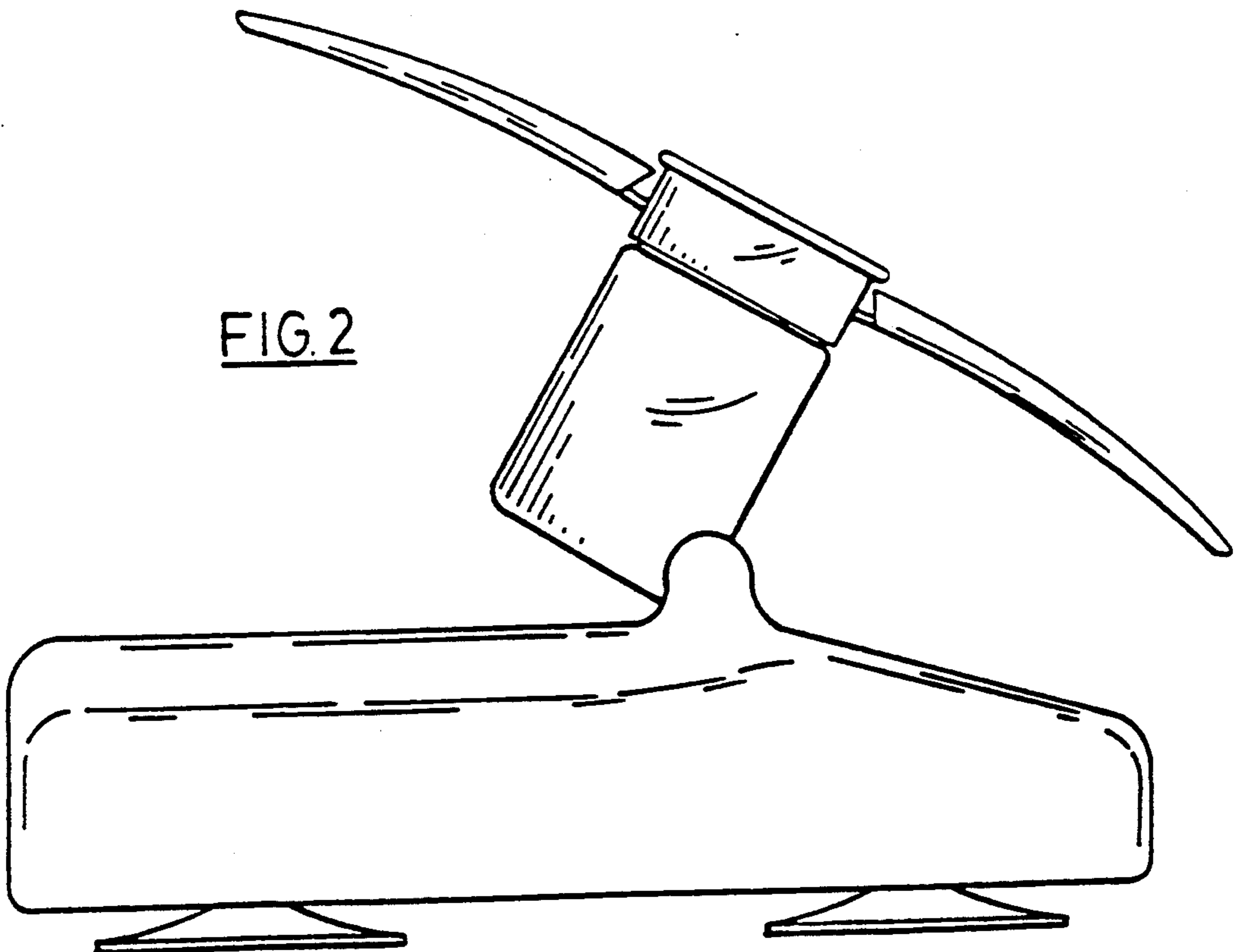
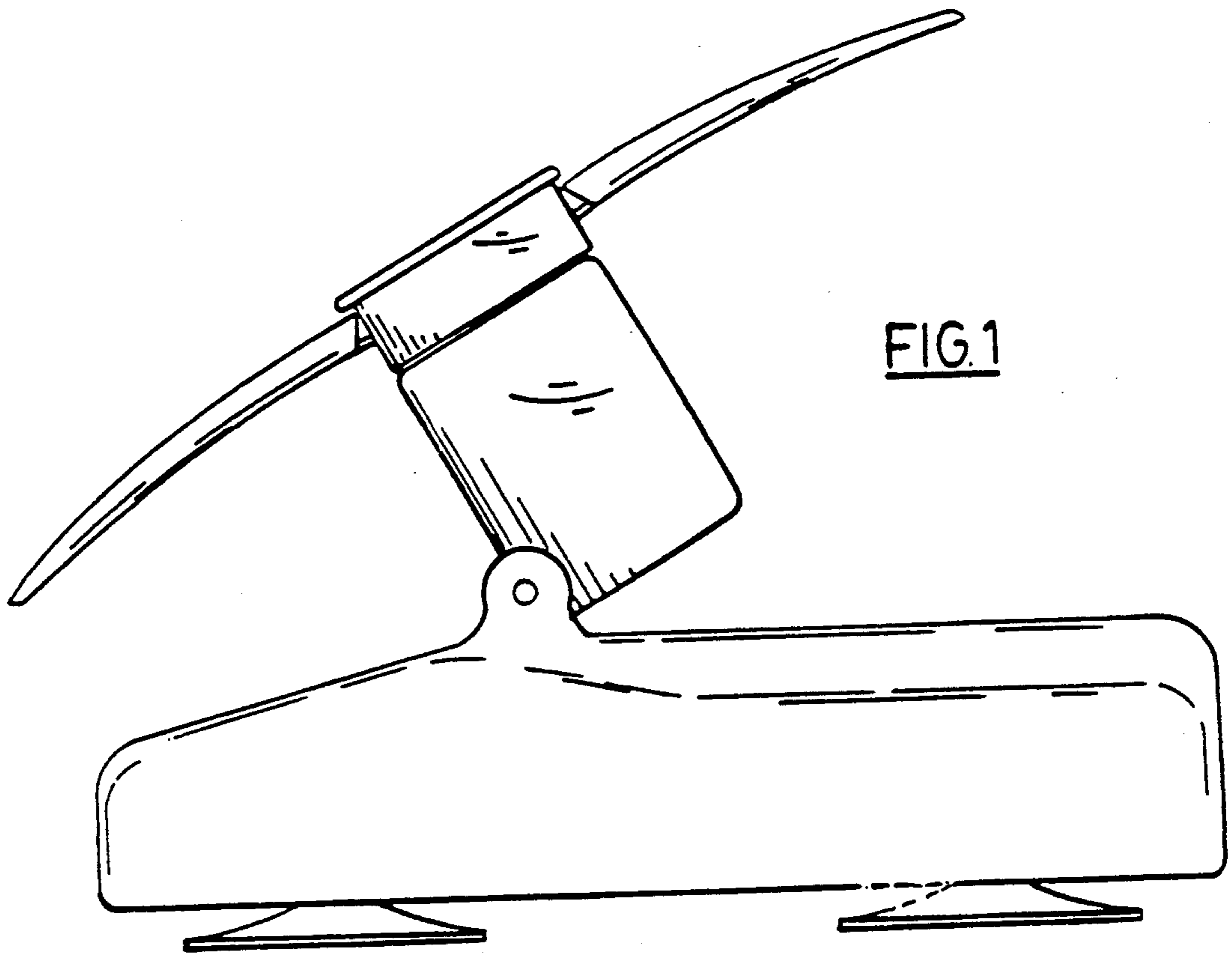
[57] CLAIM

The ornamental design for a table fan, as shown and described.

DESCRIPTION

FIG. 1 is a left side elevation view of a table fan, showing my new design;
FIG. 2 is a right side elevation view thereof;
FIG. 3 is a top plan view thereof;
FIG. 4 is a bottom plan view thereof;
FIG. 5 is a front elevation view thereof;
FIG. 6 is a rear elevation view thereof; and,
FIG. 7 is a top and left side perspective view thereof.





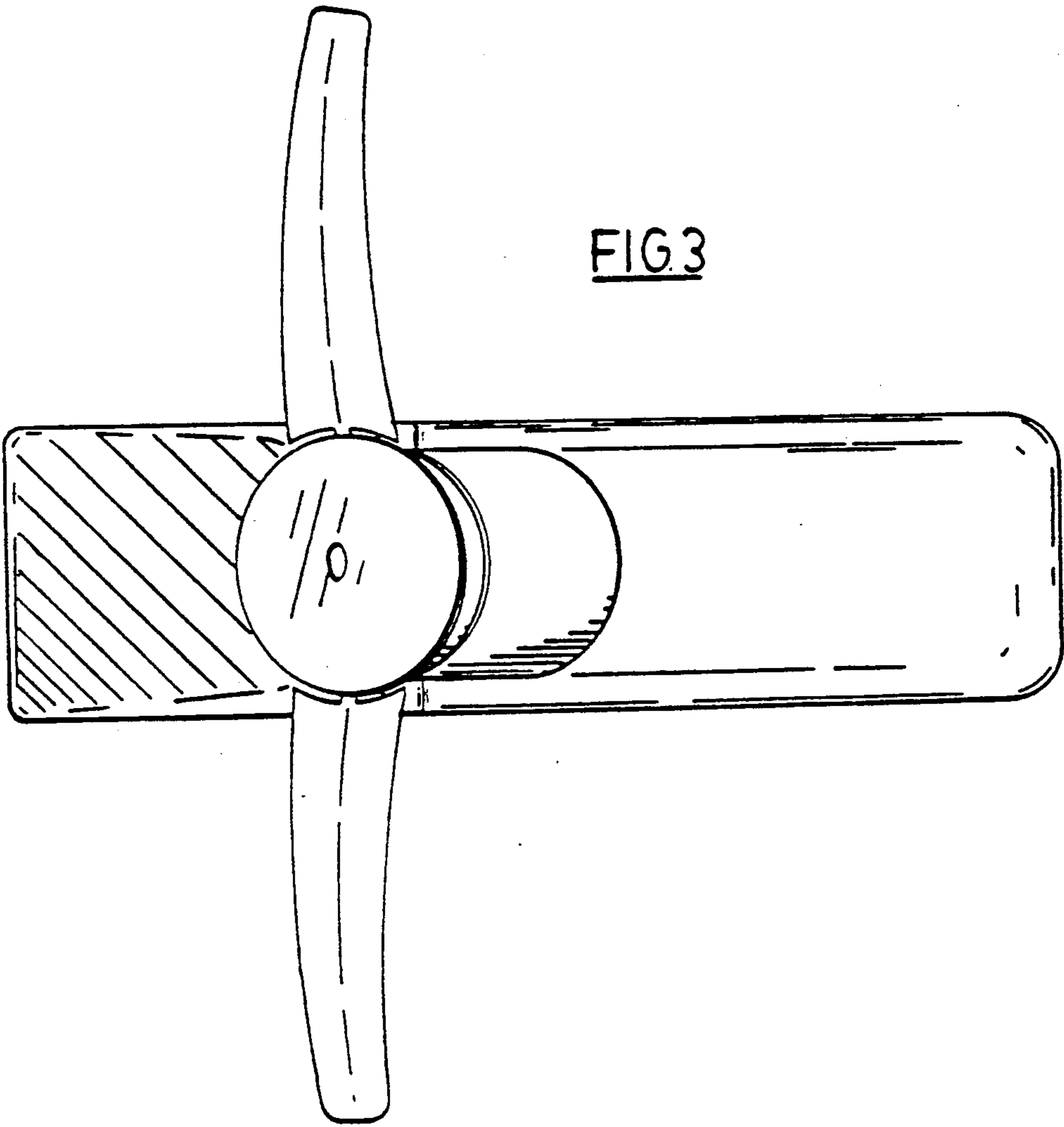


FIG. 3

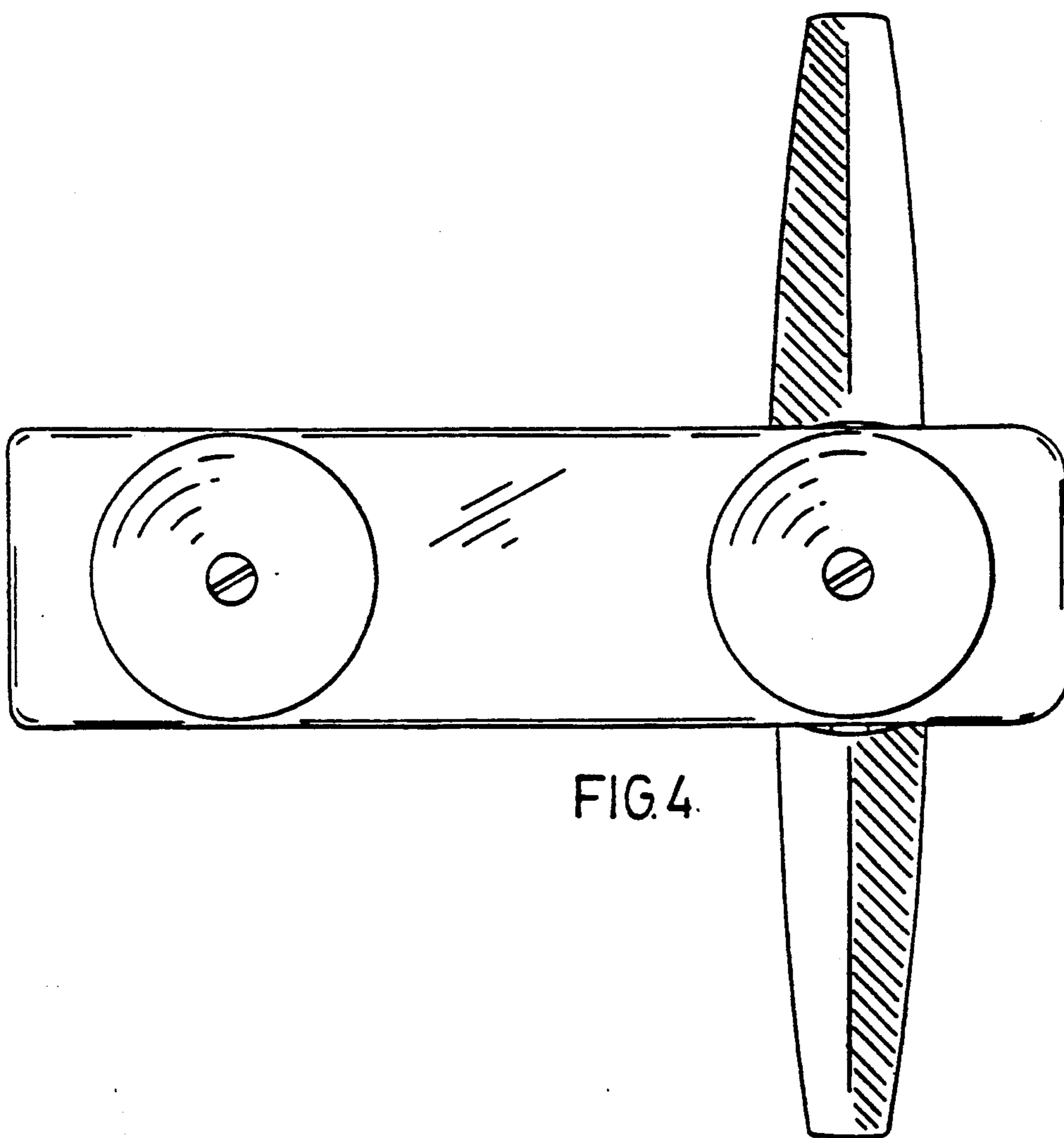


FIG. 4.

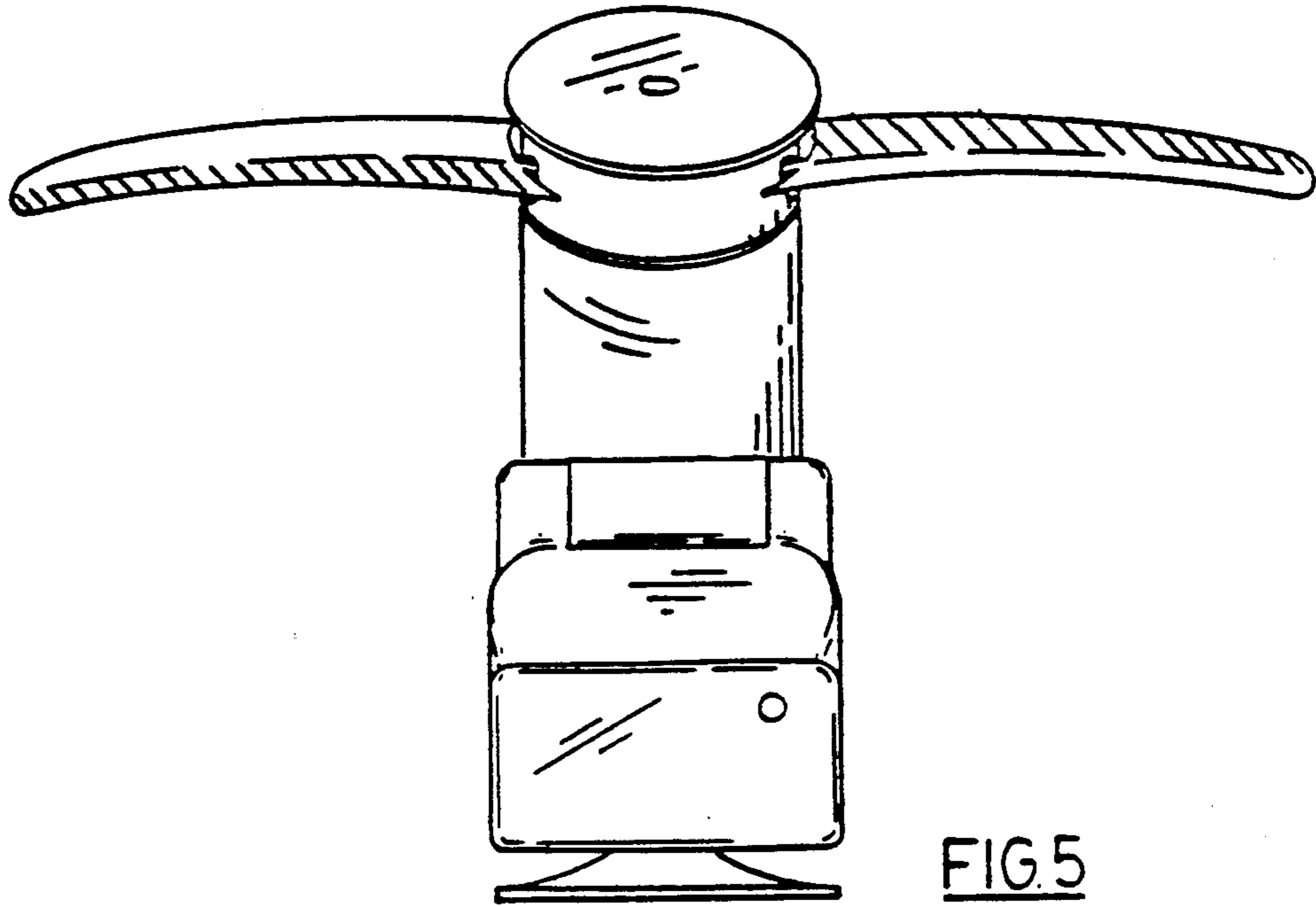


FIG. 5

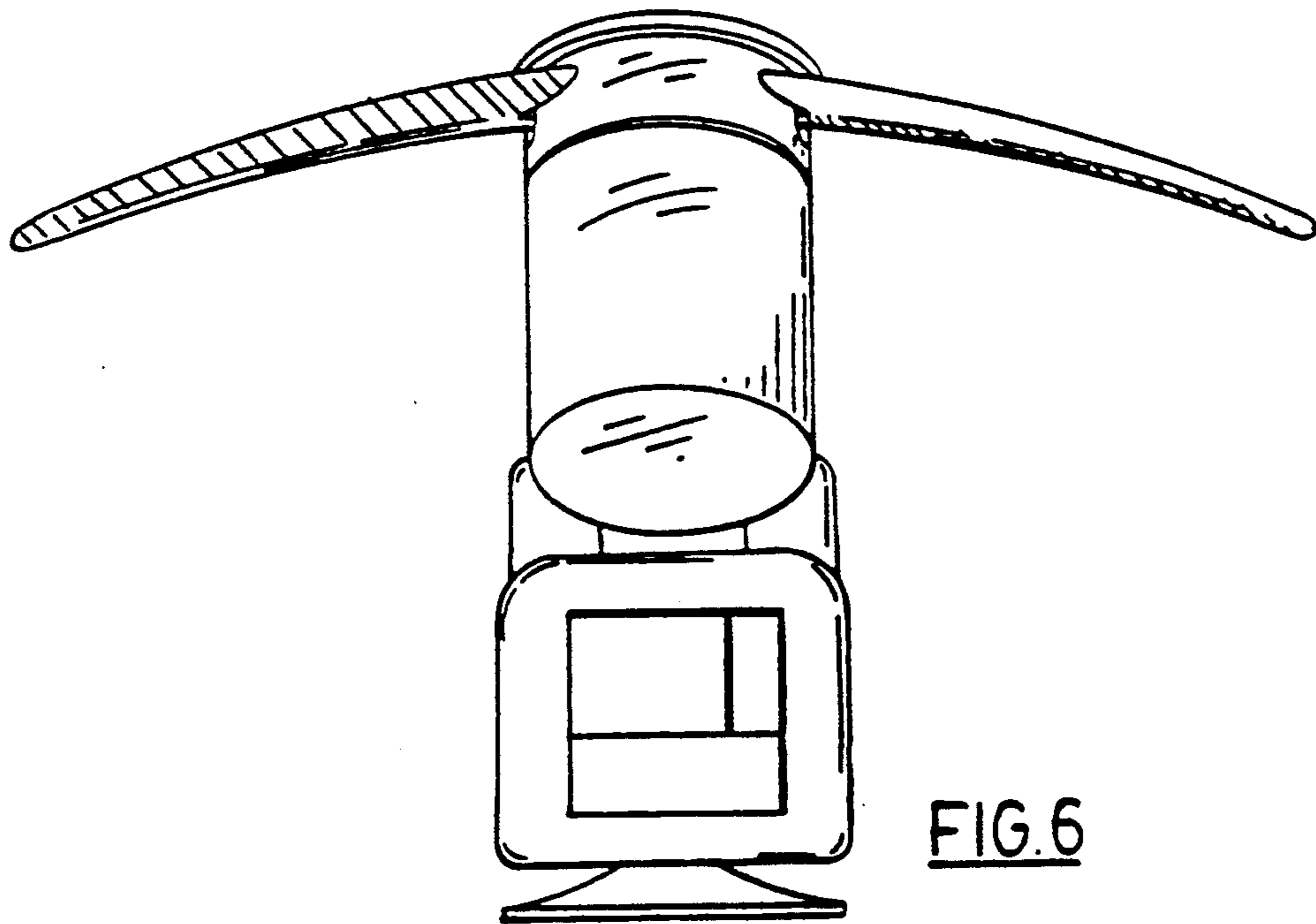


FIG. 6

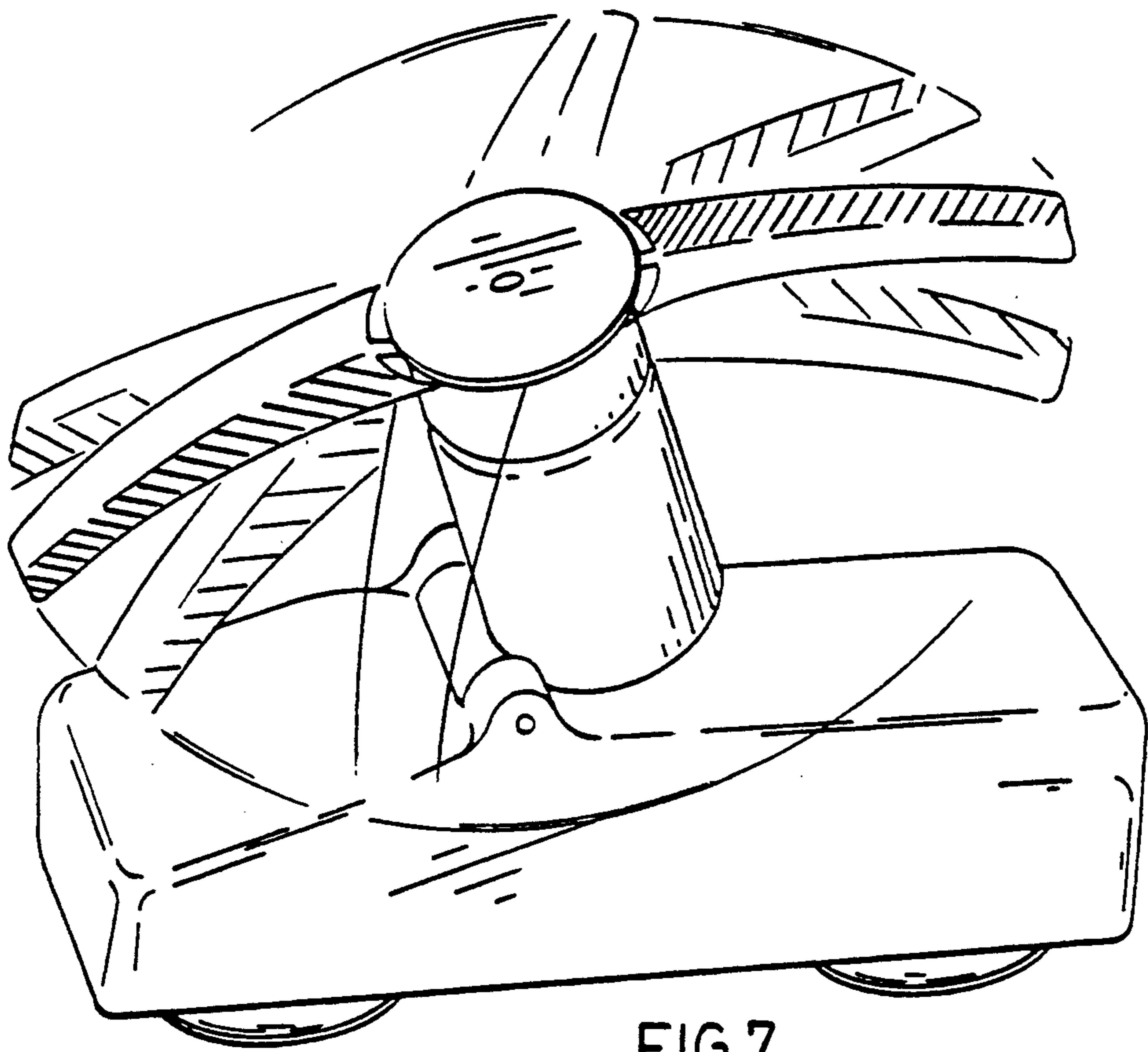


FIG. 7