



US00D325077S

United States Patent [19]

Kearnes

[11] Patent Number: **Des. 325,077**

[45] Date of Patent: **** Mar. 31, 1992**

[54] **PORTABLE AIR FRESHENER CONTAINER**

[75] Inventor: **Thom Kearnes, Akron, Ohio**

[73] Assignee: **Neutron Industries, Inc., Phoenix, Ariz.**

[**] Term: **14 Years**

[21] Appl. No.: **503,857**

[22] Filed: **Apr. 3, 1990**

[52] U.S. Cl. **D23/366**

[58] Field of Search **D23/366-369; 239/34; 422/123, 120, 5; D9/432**

D. 268,520 4/1983 Le Caire, Jr. D23/369

D. 282,245 1/1986 Yeung D9/432

4,306,892 12/1981 Atalla et al. 422/123

Primary Examiner—James M. Gandy

Assistant Examiner—Lisa Lichtenstein

Attorney, Agent, or Firm—Woodling, Krost & Rust

[57] CLAIM

The ornamental design for a portable air freshener container, as shown and described.

DESCRIPTION

FIG. 1 is a top, side perspective view of a portable air freshener container, showing my new design;

FIG. 2 is an enlarged top plan view thereof;

FIG. 3 is an enlarged side elevation view thereof, the other three sides being identical to that shown; and,

FIG. 4 is an enlarged bottom plan view thereof.

[56] References Cited

U.S. PATENT DOCUMENTS

D. 235,648 7/1975 Anderson D23/369

D. 255,047 5/1980 Müller et al. D23/369

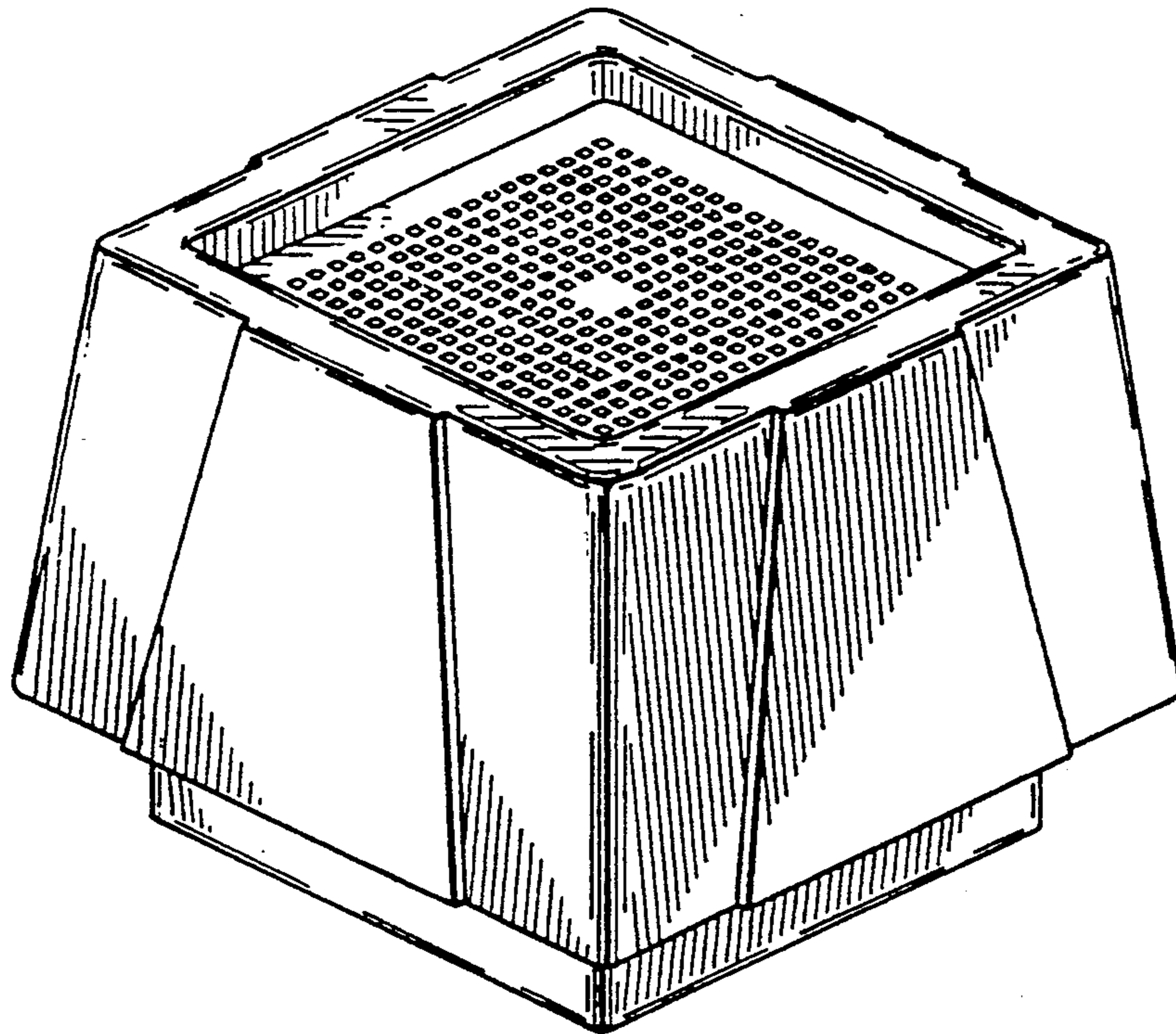


FIG. 1

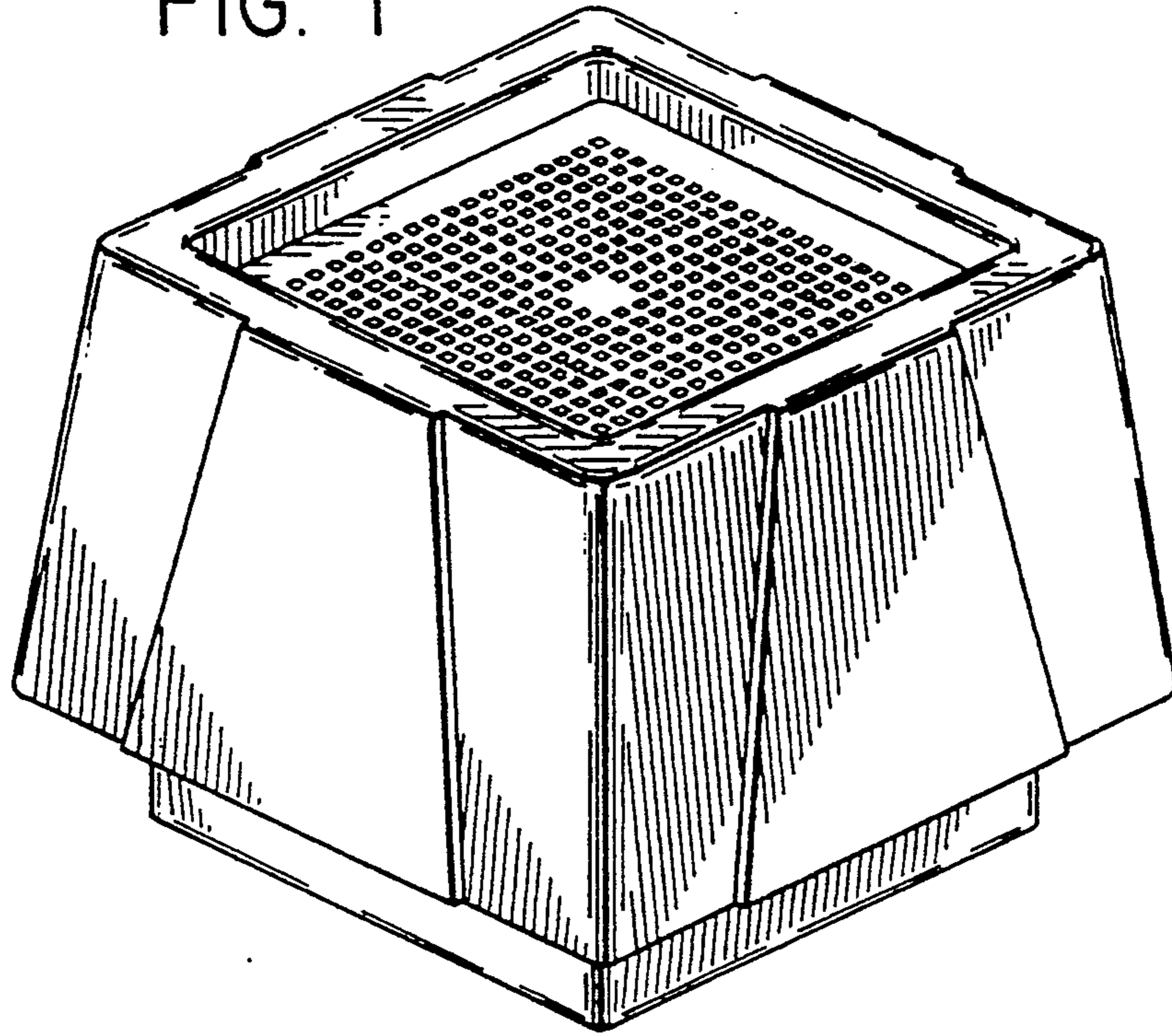


FIG. 4

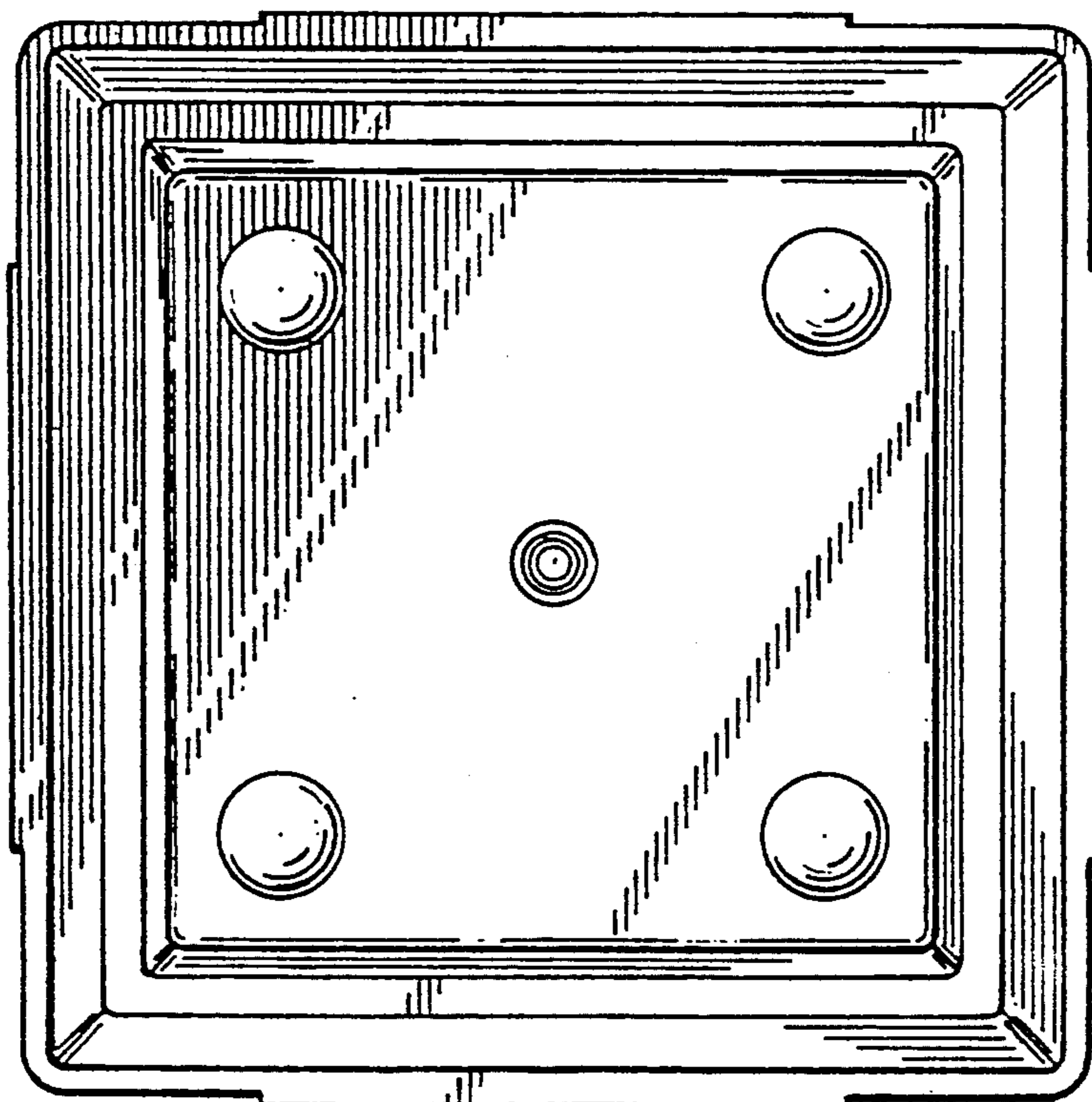


FIG. 2

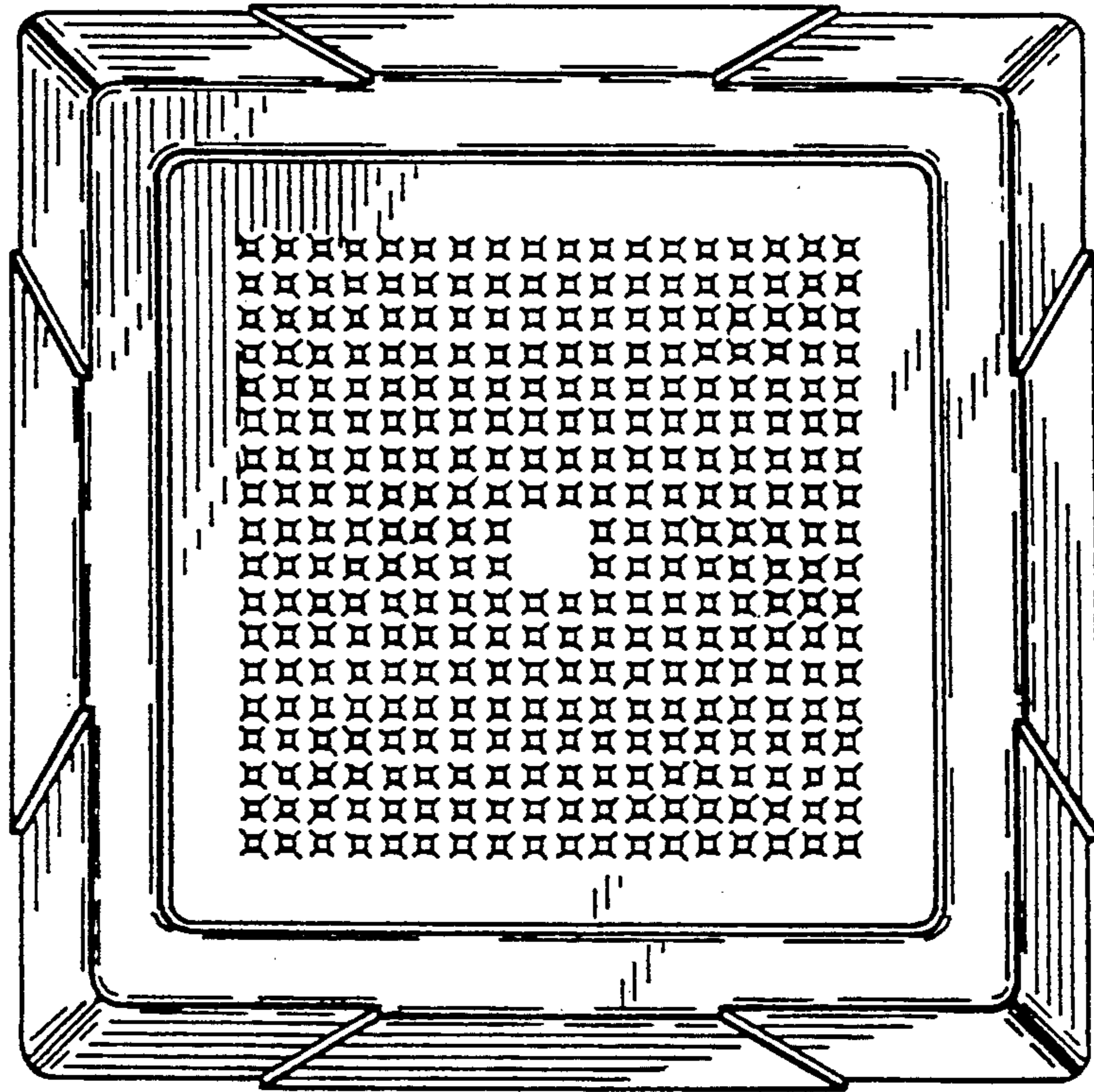


FIG. 3

