



US00D325076S

# United States Patent [19]

[11] Patent Number: **Des. 325,076**

Handler

[45] Date of Patent: **\*\* Mar. 31, 1992**

[54] **LID FOR A GLASS BOWL FOR HOLDING POTPOURRI**

[75] Inventor: **Laura J. Handler, New York, N.Y.**

[73] Assignee: **Scarborough and Company, Inc., Milford, N.H.**

[\*\*] Term: **14 Years**

[21] Appl. No.: **486,738**

[22] Filed: **Mar. 1, 1990**

[52] U.S. Cl. .... **D23/366; D7/392.1**

[58] Field of Search ..... **D23/366, 367; D7/540, D7/354, 396.1, 392.1, 560, 566; D9/454; 215/329; 220/376; 422/5, 120, 123; 239/58**

[56] **References Cited**

**U.S. PATENT DOCUMENTS**

52,726	12/1918	Beiswanger	.....	D7/560
D. 93,163	8/1934	Hart	.....	D7/566
D. 123,648	11/1940	Holdren	.....	D9/454
D. 304,226	10/1989	Kim et al.	.....	D23/367
3,472,411	10/1969	Turner	.....	D9/454
4,905,898	3/1990	Wade	.....	239/58

*Primary Examiner*—James M. Gandy  
*Assistant Examiner*—Lisa Lichtenstein  
*Attorney, Agent, or Firm*—Samuels, Gauthier & Stevens

[57] **CLAIM**

The ornamental design for a lid for a glass bowl for holding potpourri, as shown and described.

**DESCRIPTION**

FIG. 1 is a top, front, and side perspective view of a lid for a glass bowl for holding potpourri, showing my new design;

FIG. 2 is a top plan view thereof;

FIG. 3 is a cross-sectional view thereof, taken along line 3—3 in FIG. 2;

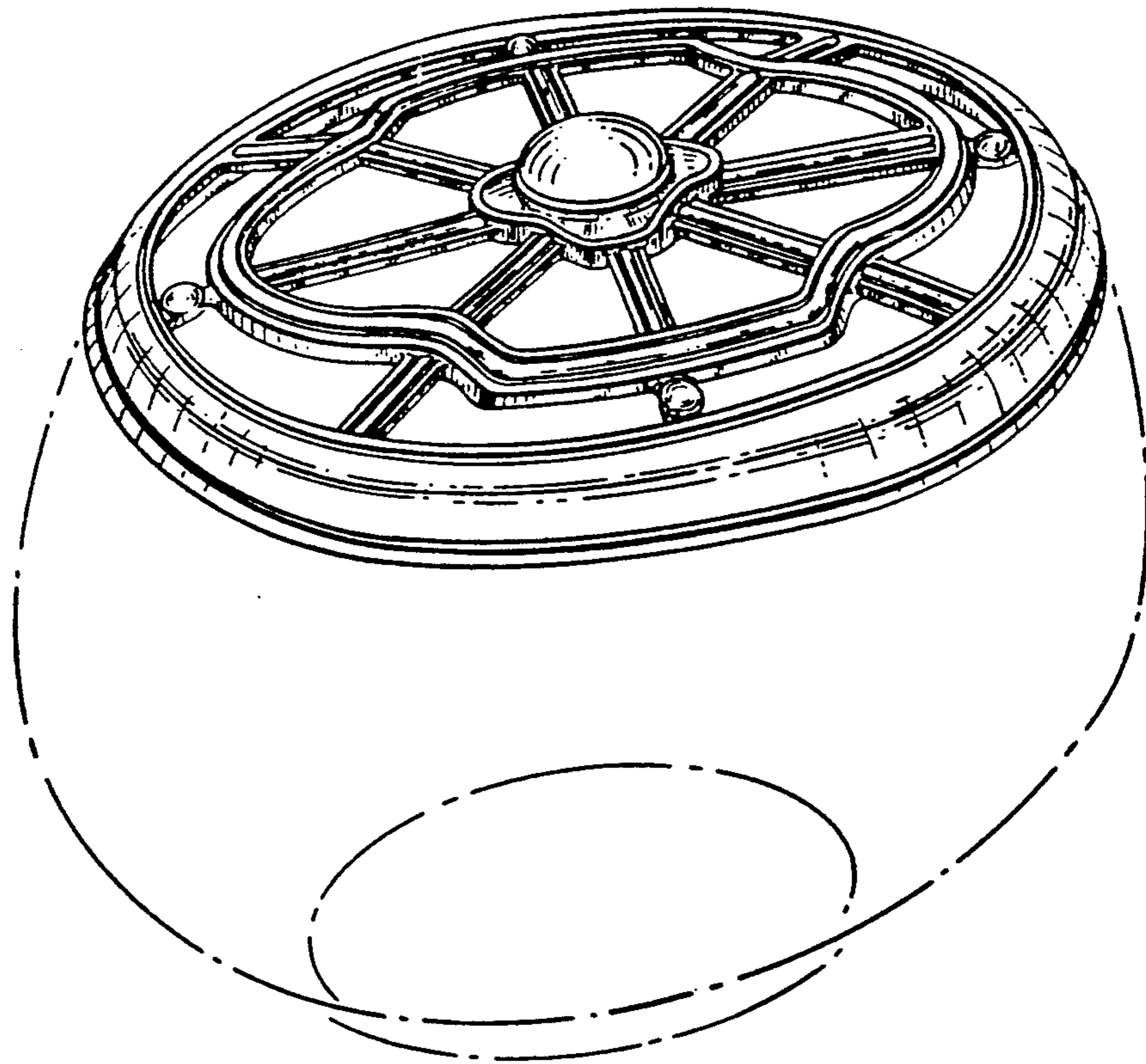
FIG. 4 is a cross-sectional view thereof, taken along line 4—4 in FIG. 2;

FIG. 5 is a front elevation view thereof, the rear being a mirror image of that shown;

FIG. 6 is a side elevation view thereof, the opposite side being a mirror image of that shown; and,

FIG. 7 is a bottom plan view thereof.

The broken-line showing of a bowl in FIG. 1 is for illustrative purposes only, and forms no part of the claimed design.



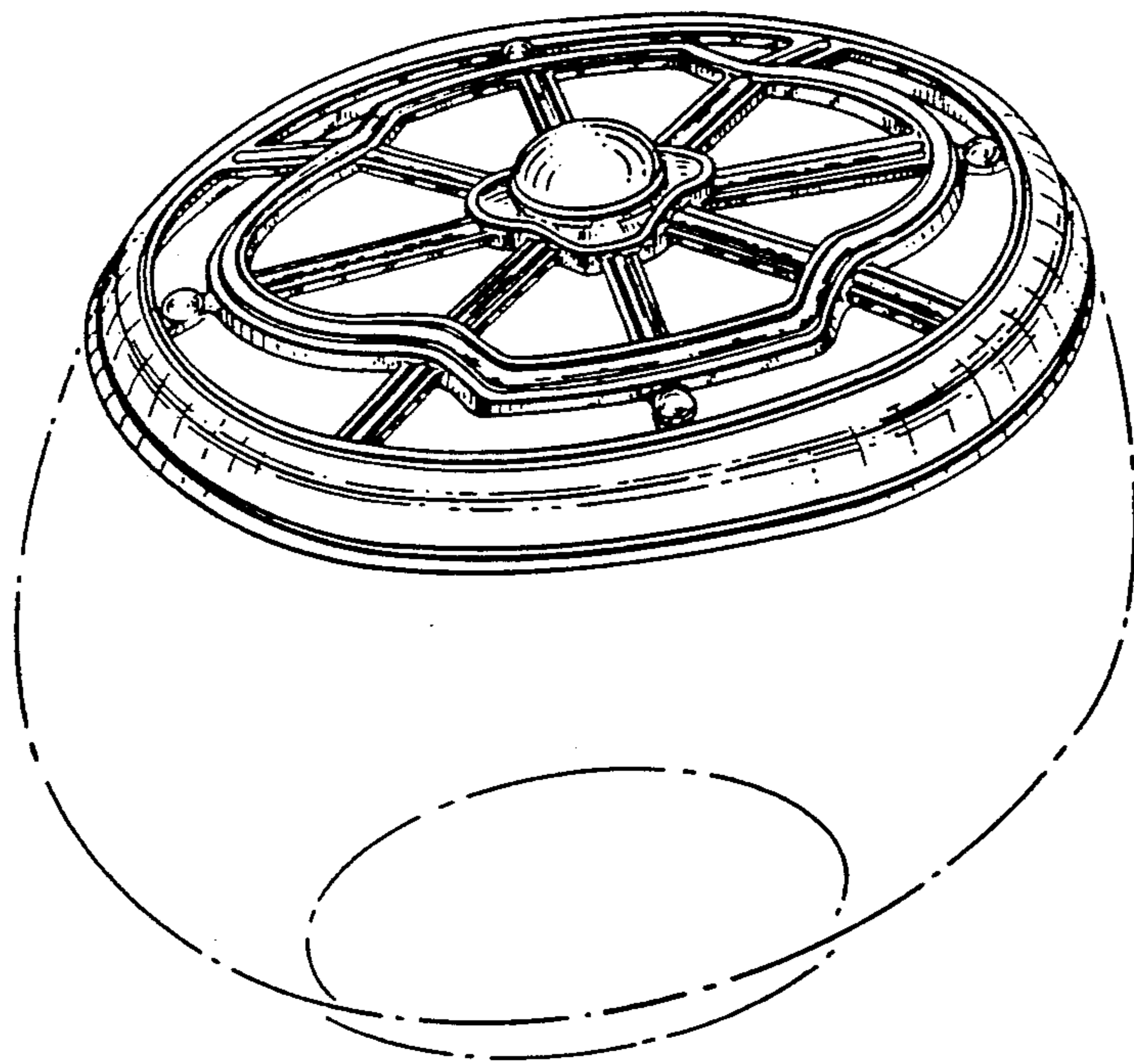


FIG. 1



FIG. 4

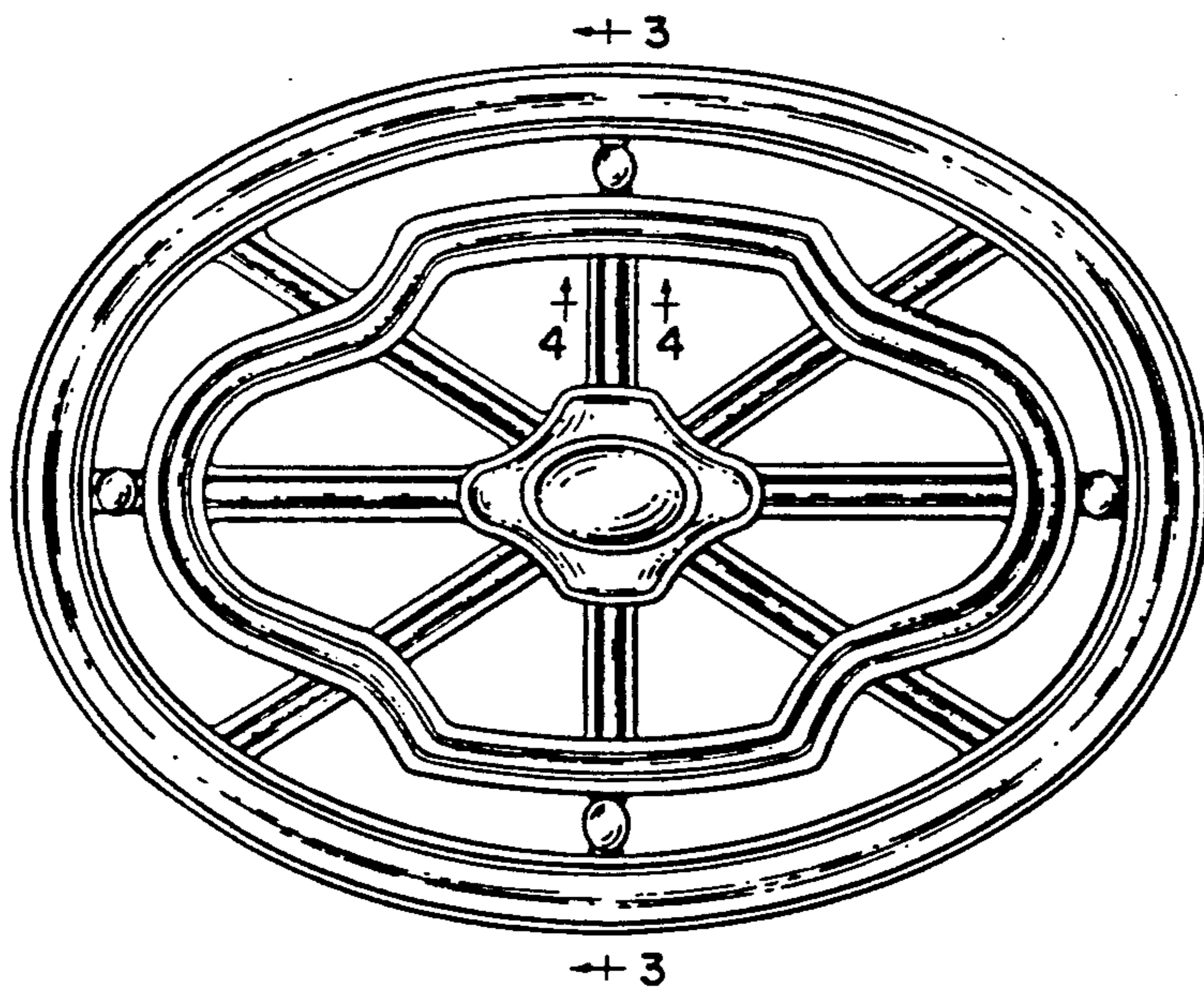


FIG. 2

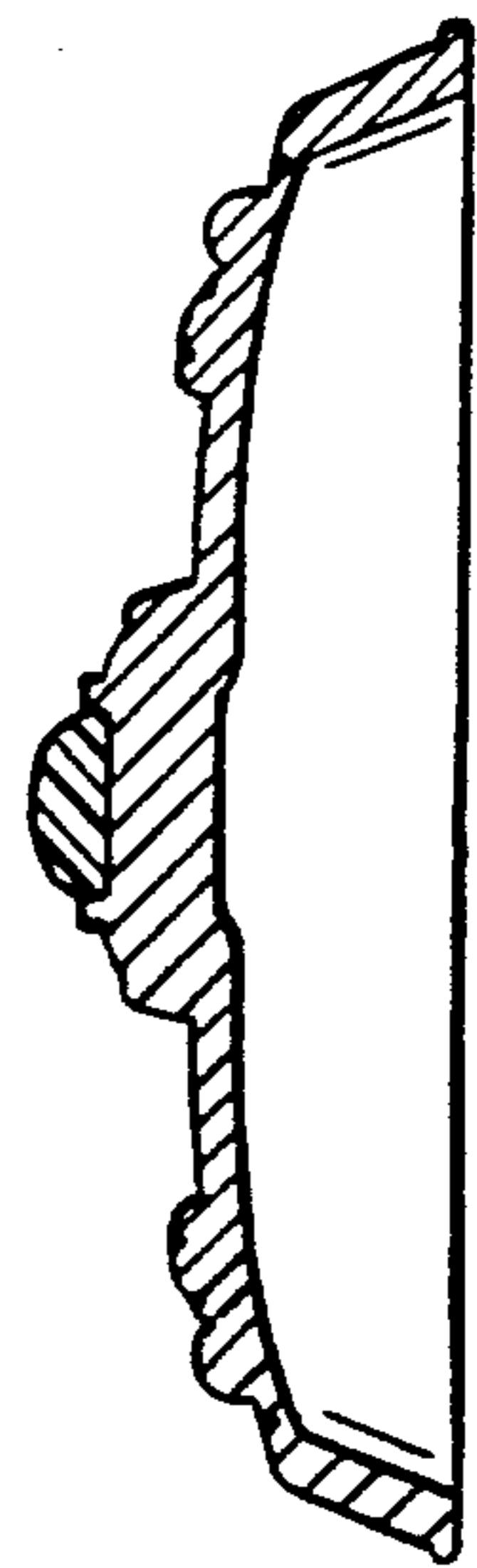


FIG. 3

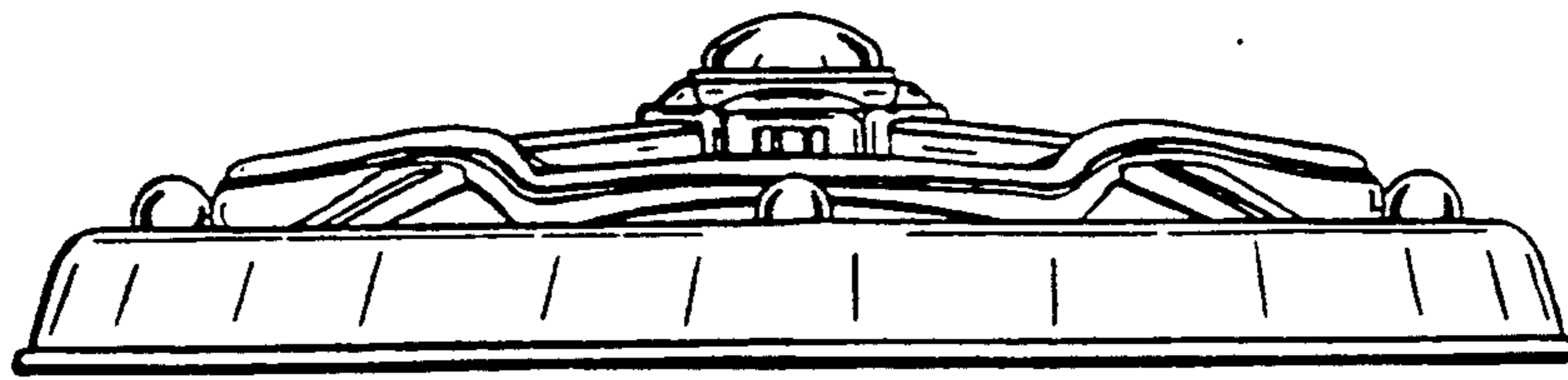


FIG. 5

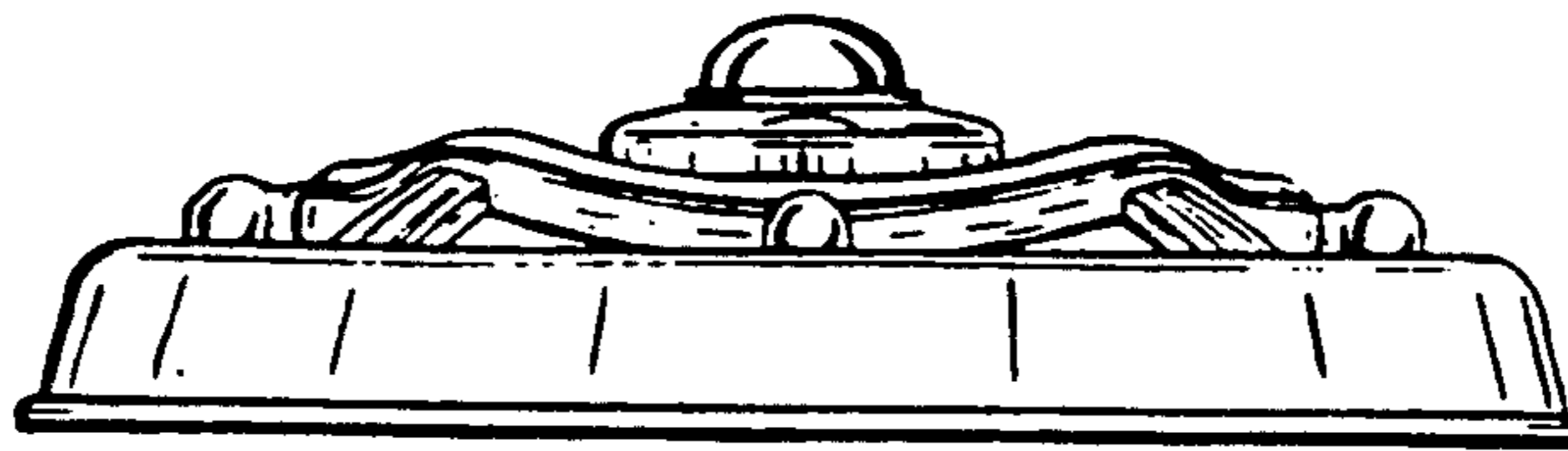


FIG. 6

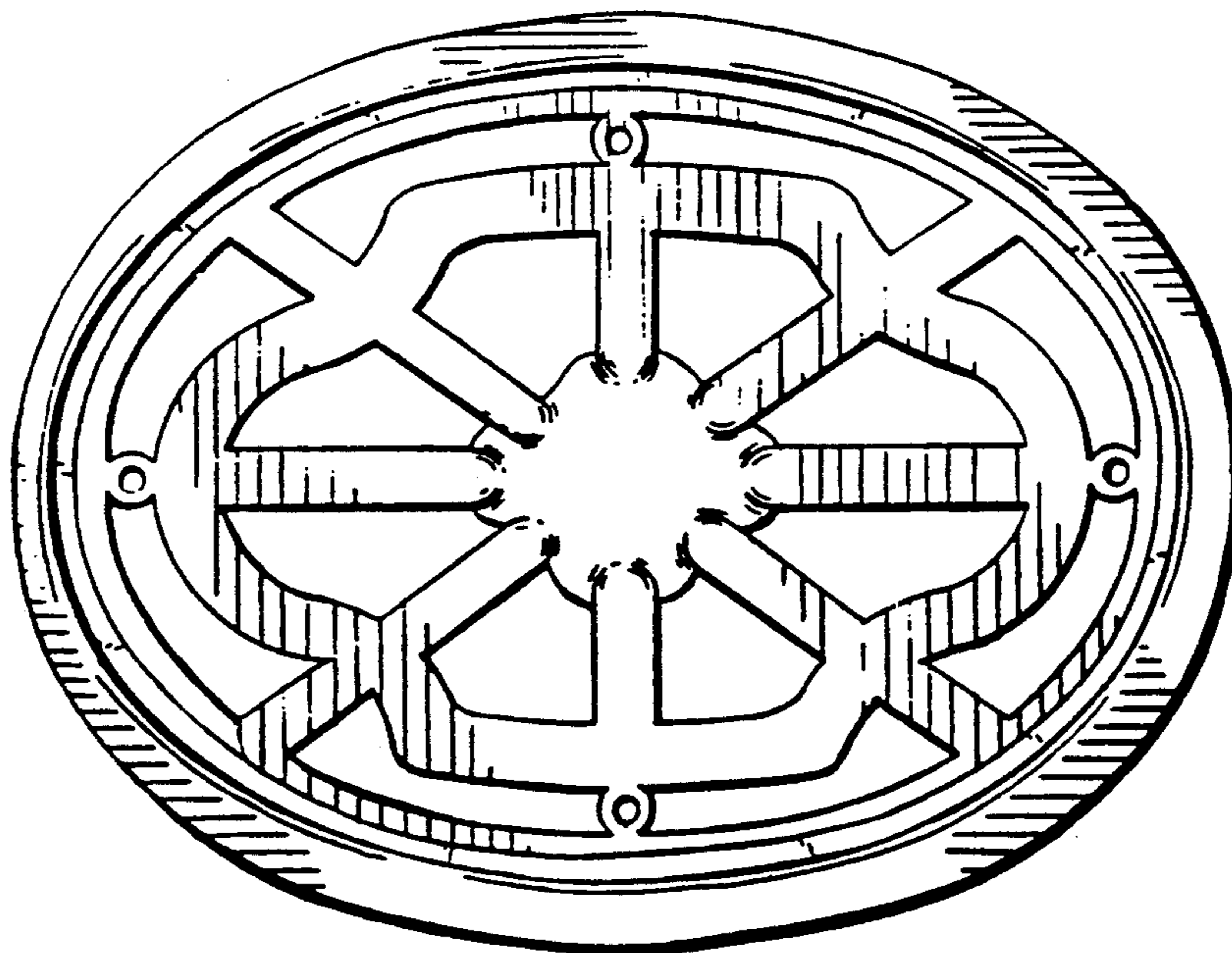


FIG. 7