



US00D325066S

# United States Patent [19]

Robbins et al.

[11] Patent Number: **Des. 325,066**

[45] Date of Patent: **\*\* Mar. 31, 1992**

[54] **SPINNING FISHING REEL**

[75] Inventors: **Richard J. Robbins, Derby, Kans.;**  
**Richard J. Feehan, Pawnee, Okla.**

[73] Assignee: **Zebco Corporation, Tulsa, Okla.**

[\*\*] Term: **14 Years**

[21] Appl. No.: **303,386**

[22] Filed: **Jan. 27, 1989**

[52] U.S. Cl. .... **D22/141**

[58] Field of Search ..... **D22/140, 141;**  
**242/230-233, 245-246, 247, 248, 282**

D. 281,347 11/1985 Iinuma et al. .... D22/141  
D. 282,955 3/1986 Aota et al. .... D22/141  
4,289,283 9/1981 Morimoto ..... D22/141 X

*Primary Examiner*—A. Hugo Word  
*Assistant Examiner*—Doris V. Coles  
*Attorney, Agent, or Firm*—Wood, Phillips, Mason,  
Recktenwald & VanSanten

### [57] CLAIM

The ornamental design of a spinning fishing reel, as shown and described.

### DESCRIPTION

FIG. 1 is a bottom and side perspective view of a spinning fishing reel, showing our new design;  
FIG. 2 is a right side elevational view thereof;  
FIG. 3 is a left side elevational view thereof;  
FIG. 4 is a top plan view thereof;  
FIG. 5 is a bottom plan view thereof;  
FIG. 6 is a front elevational view; and,  
FIG. 7 is a rear elevational view.

### [56] References Cited

#### U.S. PATENT DOCUMENTS

D. 251,981 5/1979 Hiraishi et al. .... D22/141  
D. 253,837 1/1980 Hiraishi et al. .... D22/141  
D. 253,839 1/1980 Morishita ..... D22/141  
D. 257,688 12/1980 Doi et al. .... D22/141  
D. 270,934 10/1983 Iinuma ..... D22/141

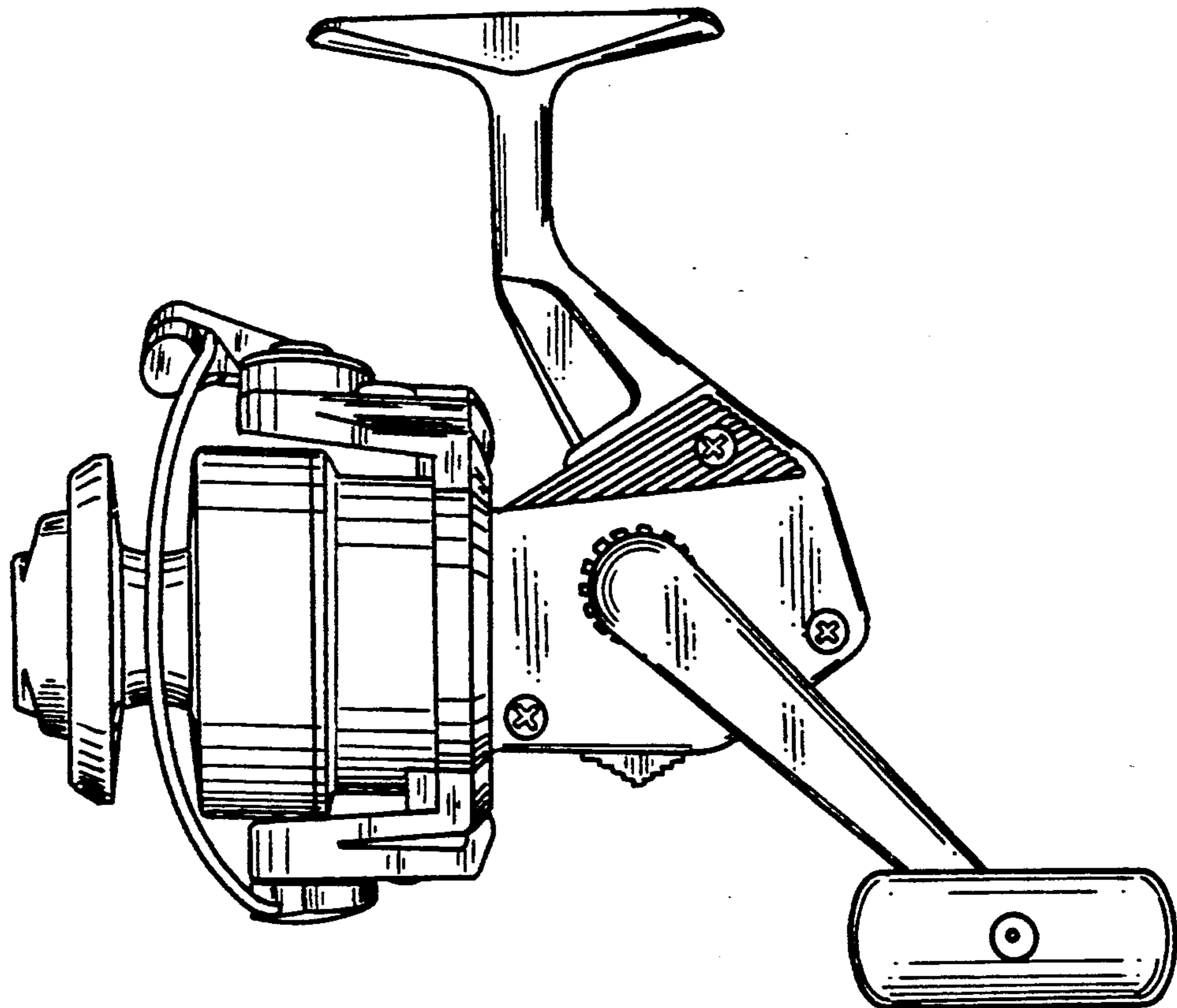


FIG. 1

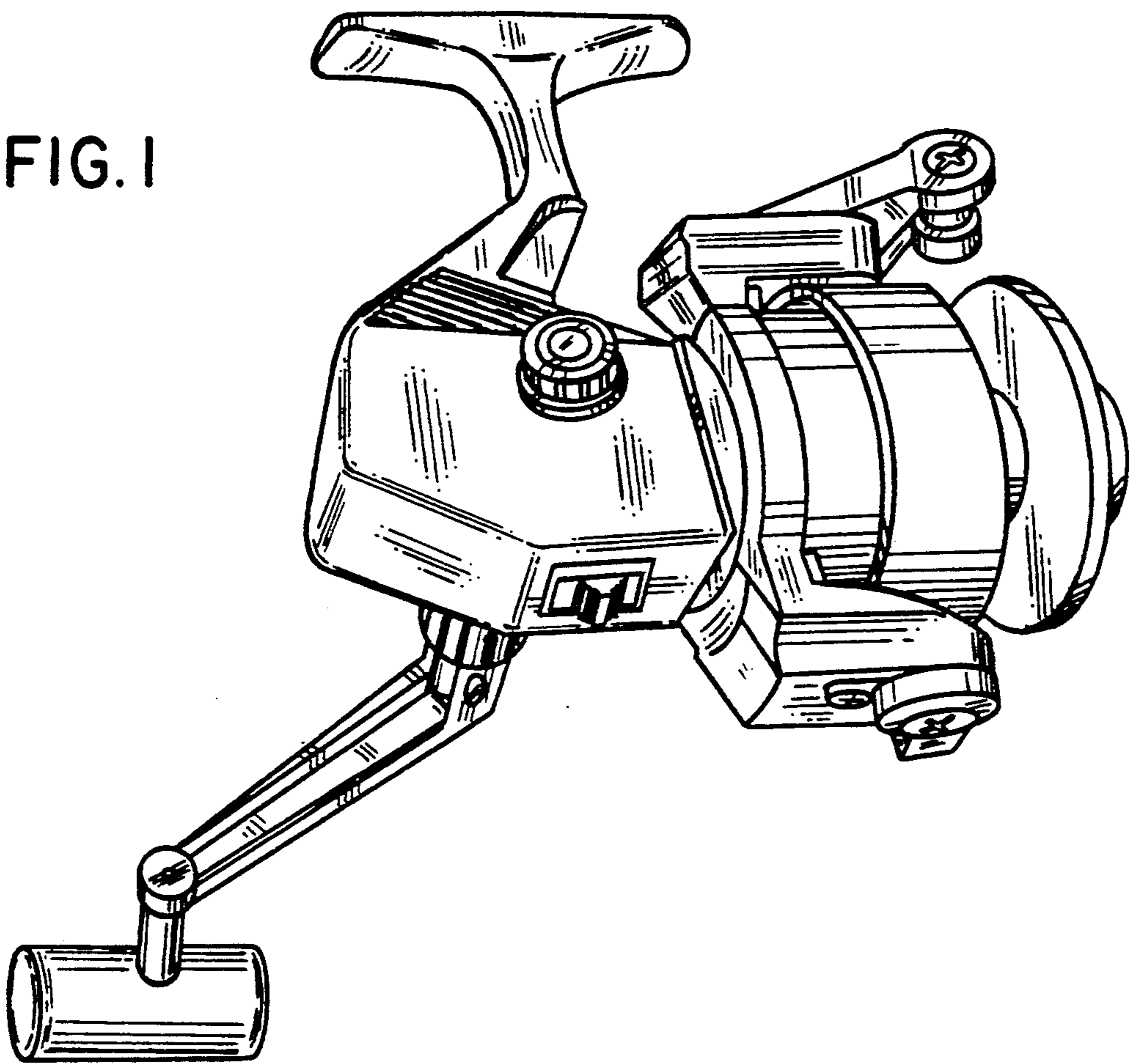


FIG. 2

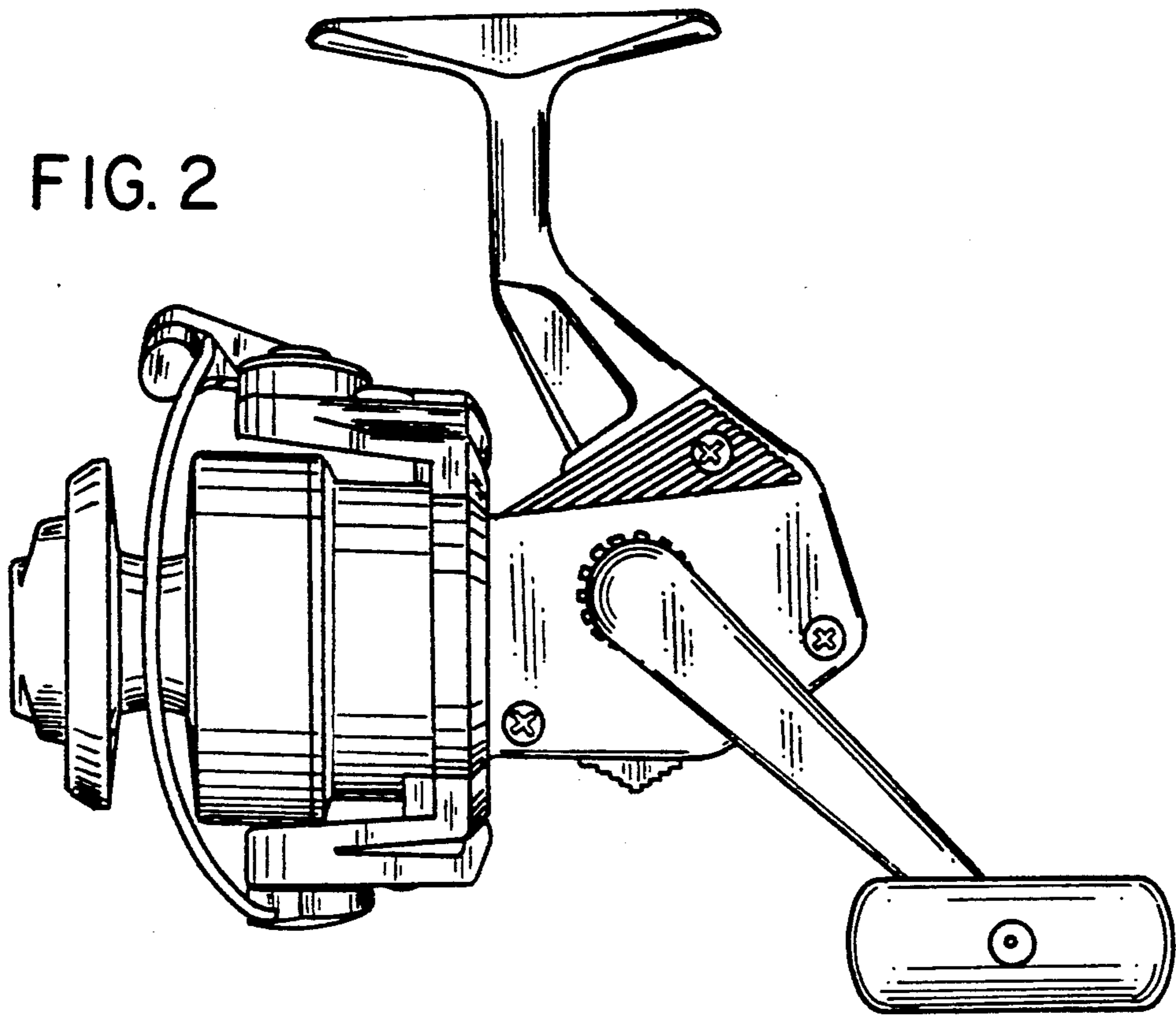
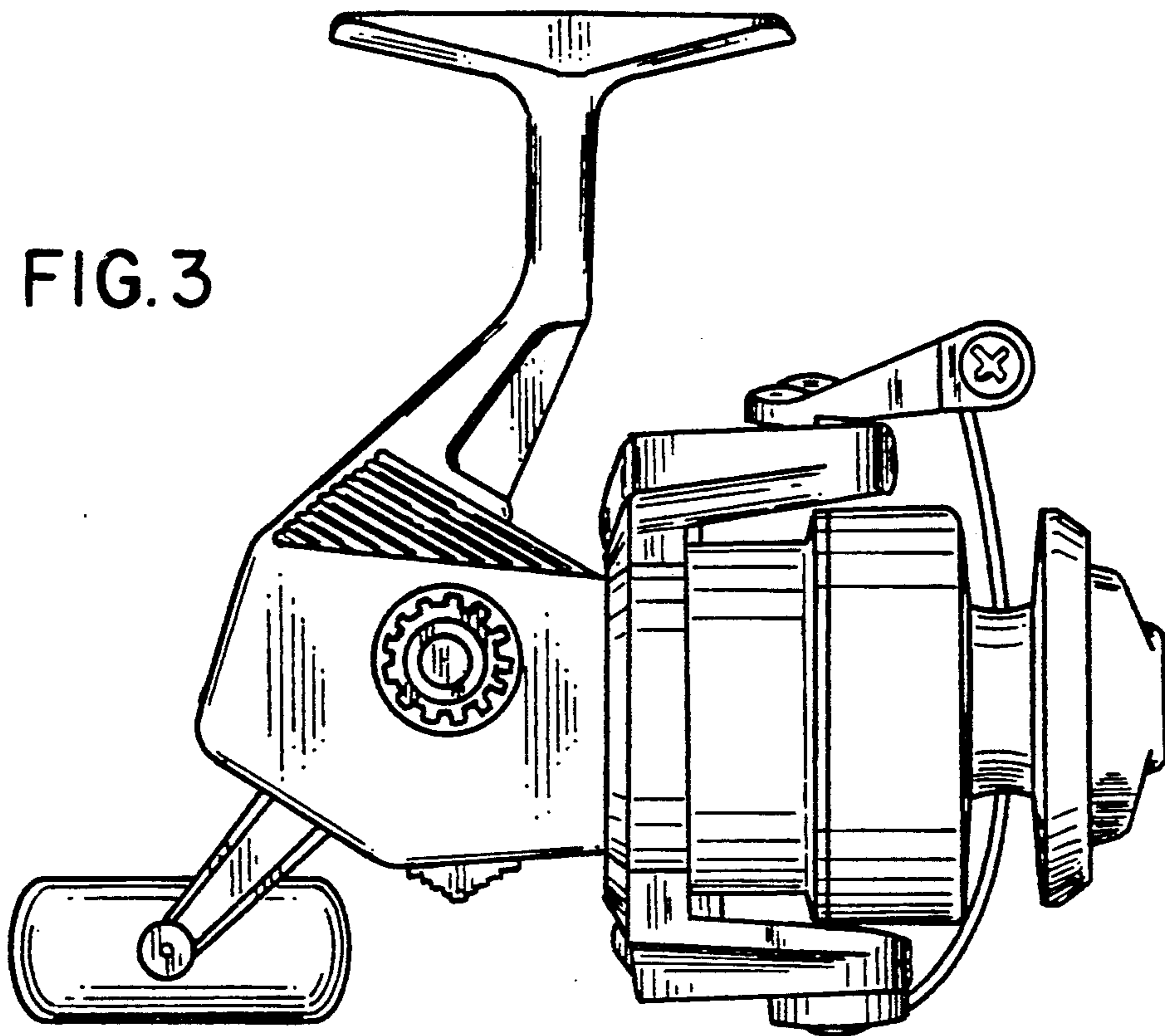


FIG. 3



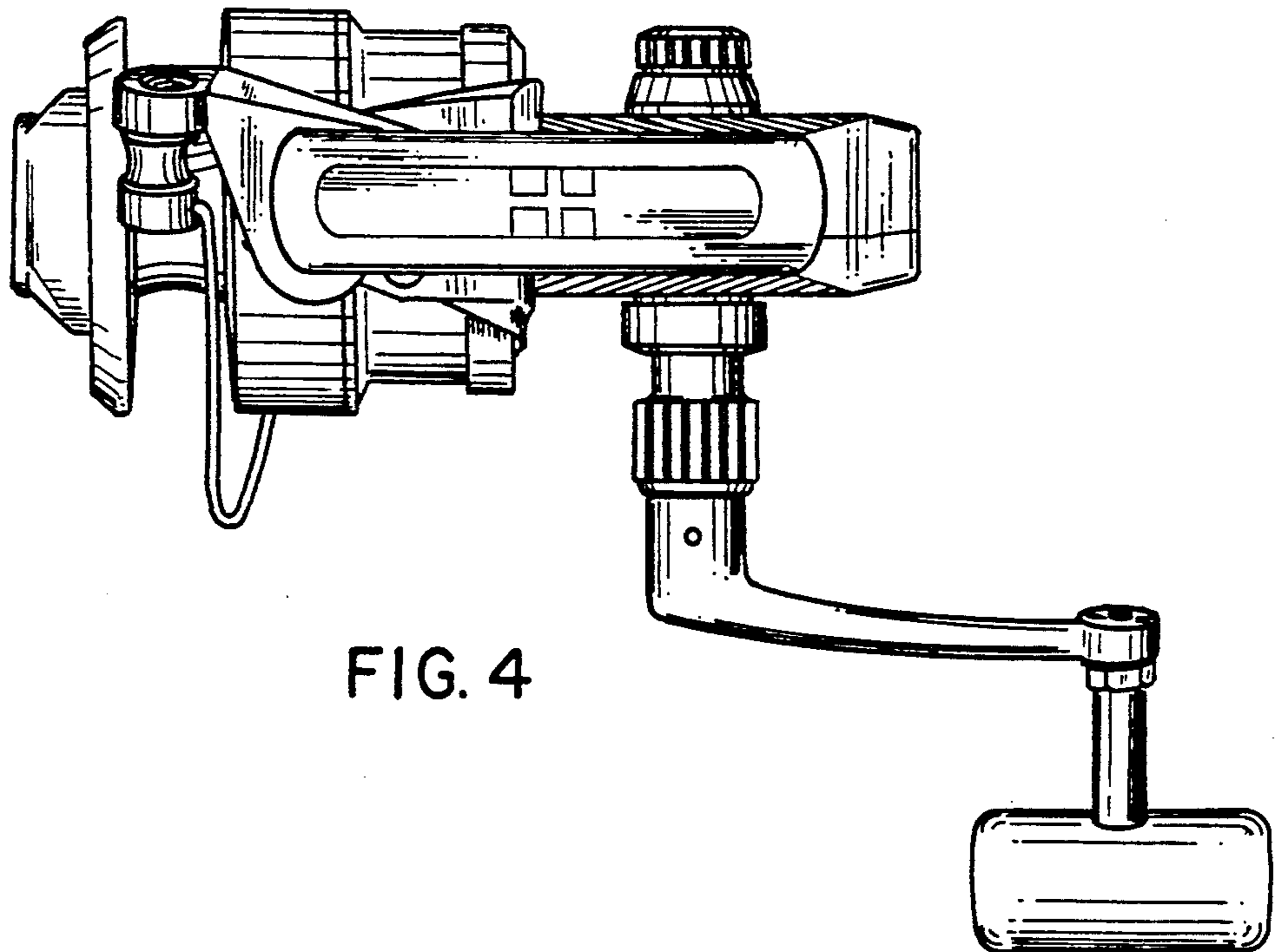


FIG. 4

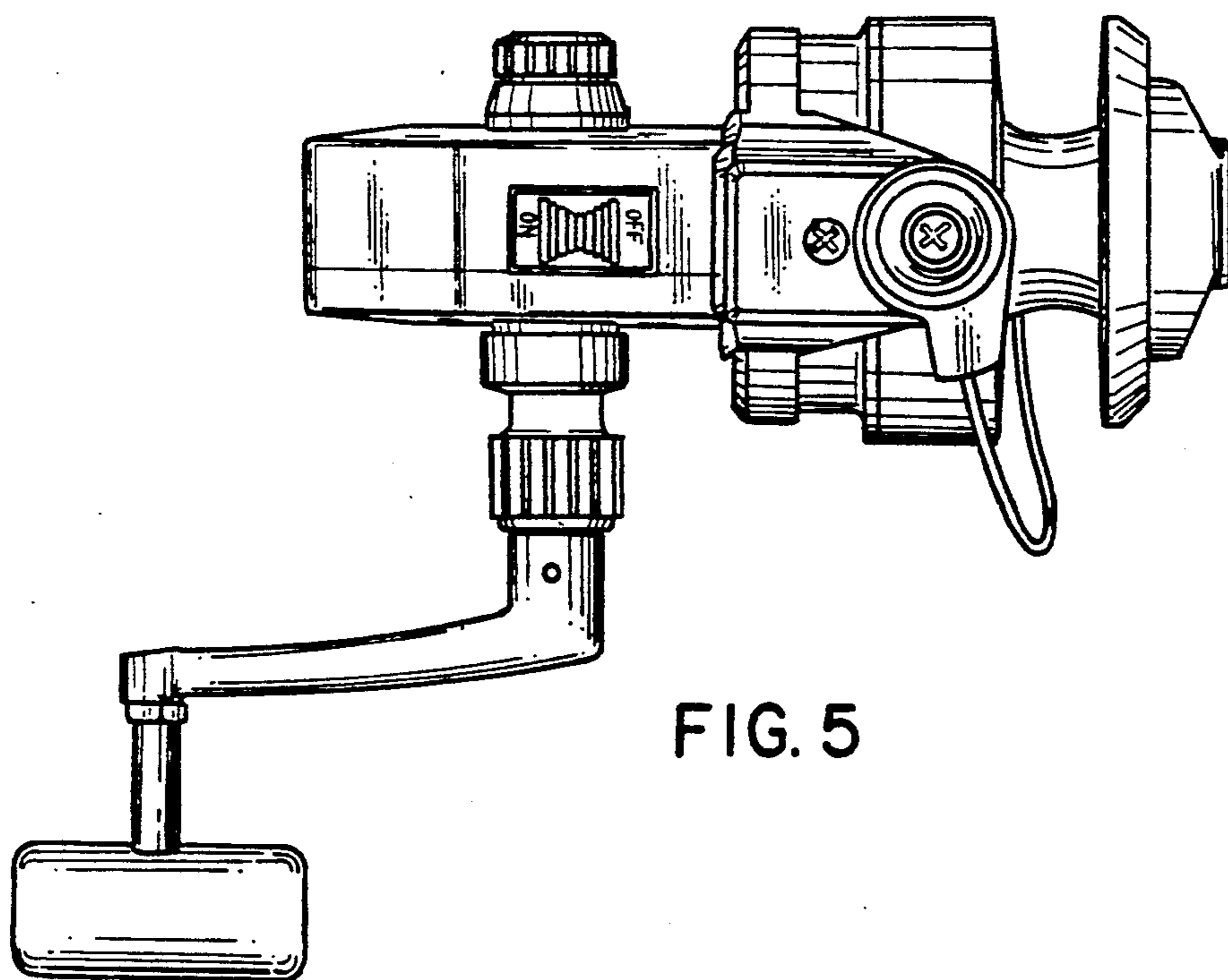


FIG. 5

