



US00D325065S

United States Patent [19]
Cronin

[11] **Patent Number: Des. 325,065**

[45] **Date of Patent: ** Mar. 31, 1992**

[54] **INSECT TRAP**

2,772,511 12/1956 Tomasek 43/131
4,035,946 7/1977 Rapp et al. 43/131

[76] **Inventor: Paul V. Cronin, Kunie Ranch,
Andrews Star Rte., Burns, Oreg.
97720**

FOREIGN PATENT DOCUMENTS

148421 10/1931 Switzerland 215/99.5

[**] **Term: 14 Years**

Primary Examiner—A. Hugo Word
Assistant Examiner—Doris V. Coles
Attorney, Agent, or Firm—Leon Gilden

[21] **Appl. No.: 459,575**

[57] **CLAIM**

[22] **Filed: Jan. 2, 1990**

The ornamental design for an insect trap, as shown and described.

[52] **U.S. Cl. D22/122; D30/123**

[58] **Field of Search D22/119, 122; 215/99.5;
D11/152, 153; 43/124, 131, 132.1, 121;
D30/123; 119/73, 74, 61; D23/201; D7/523,
524, 537, 509, 558**

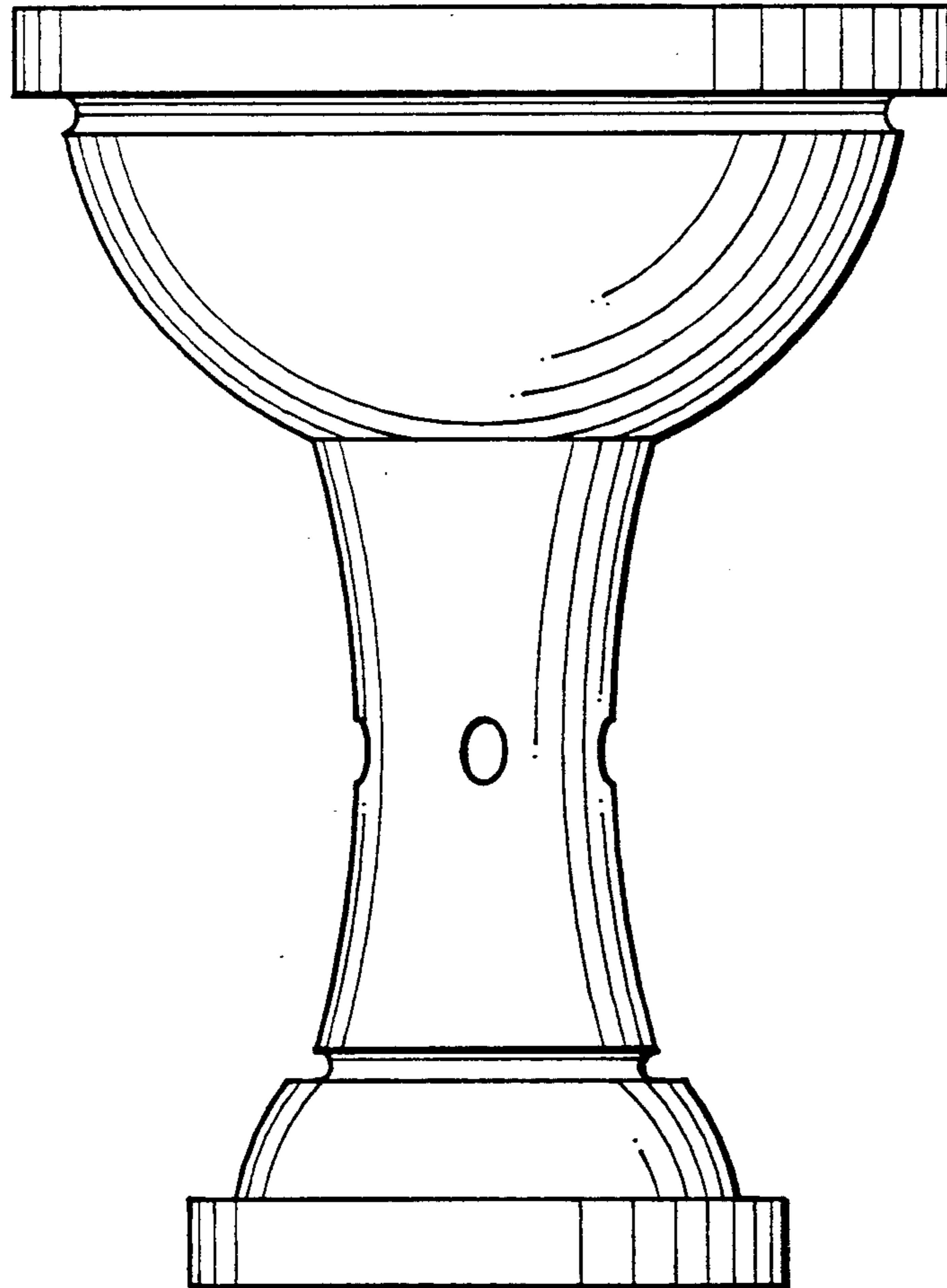
DESCRIPTION

FIG. 1 is a front elevational view of an insect trap showing my new design;
FIG. 2 is a rear elevational view thereof;
FIG. 3 is a left side elevational view, the right side being a mirror image thereof;
FIG. 4 is a cross-sectional view, taken along line 4—4 of FIG. 2;
FIG. 5 is a top plan view thereof; and,
FIG. 6 is a bottom plan view thereof.

[56] **References Cited**

U.S. PATENT DOCUMENTS

D. 112,199 11/1938 Kostellow D7/558
145,145 12/1873 Baggs D7/558 X
D. 146,901 6/1947 Fiorio D30/123
1,858,087 5/1932 Howard 43/107
2,123,892 7/1938 Grady D23/201 X



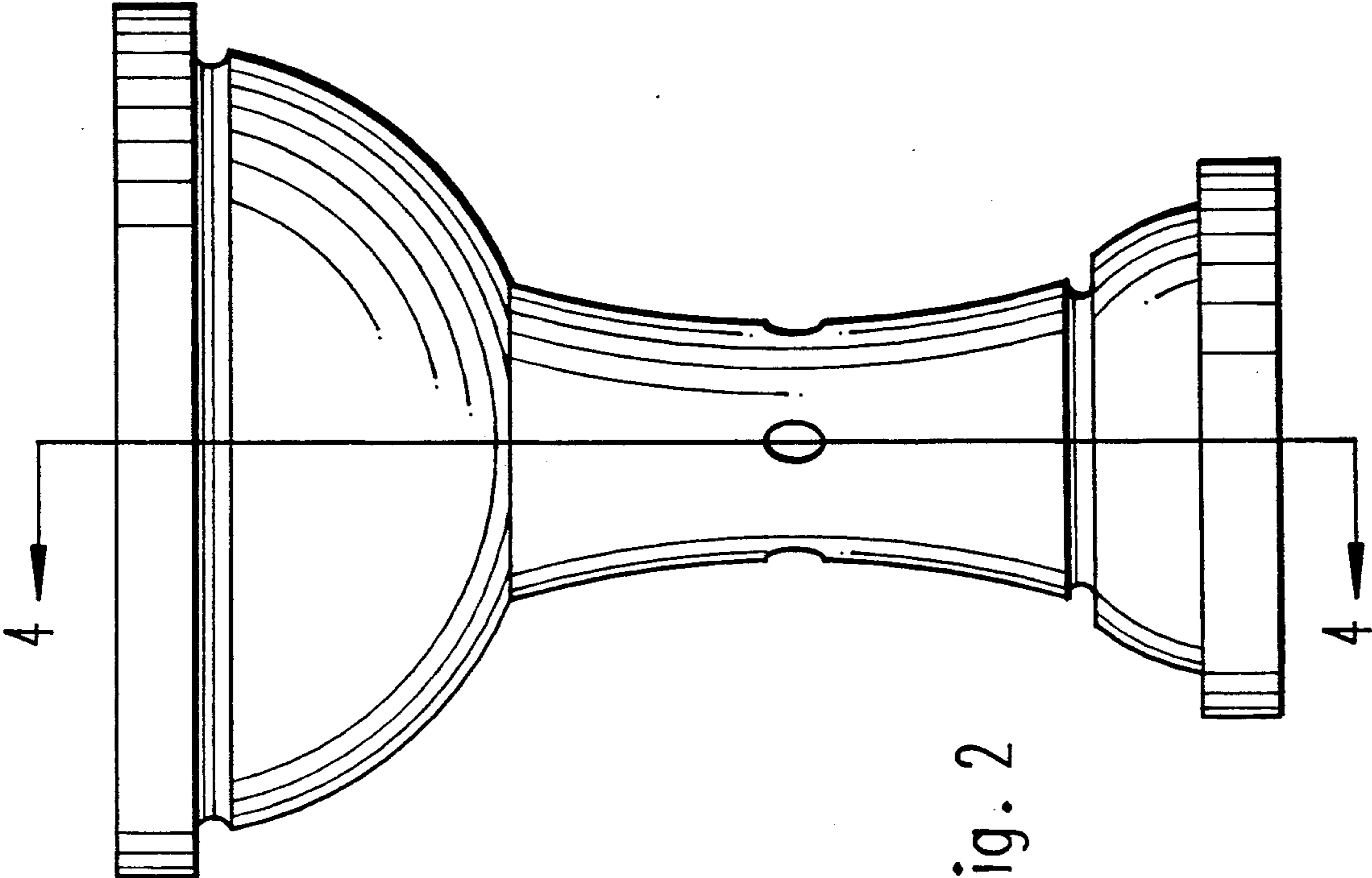


Fig. 2

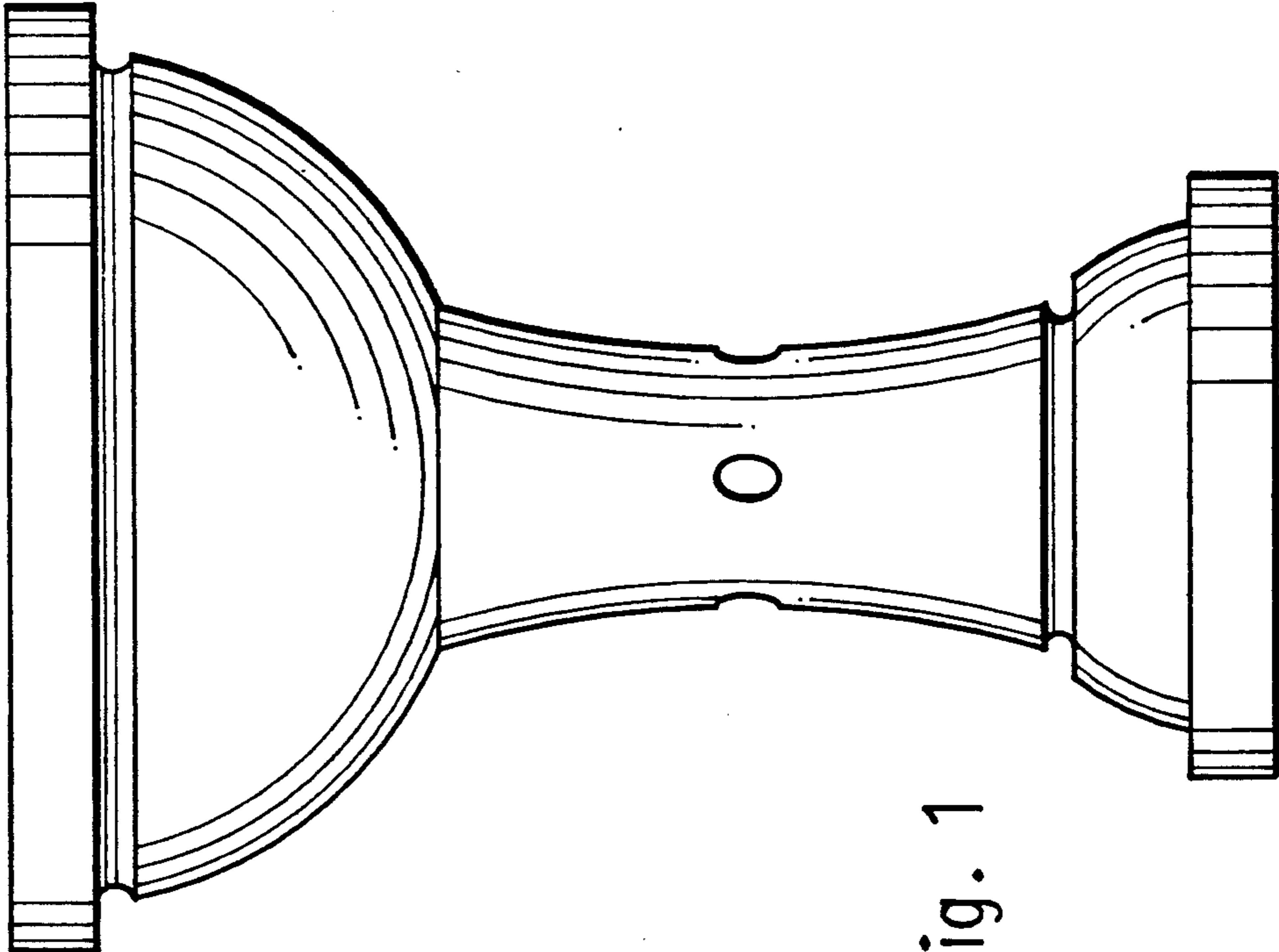


Fig. 1

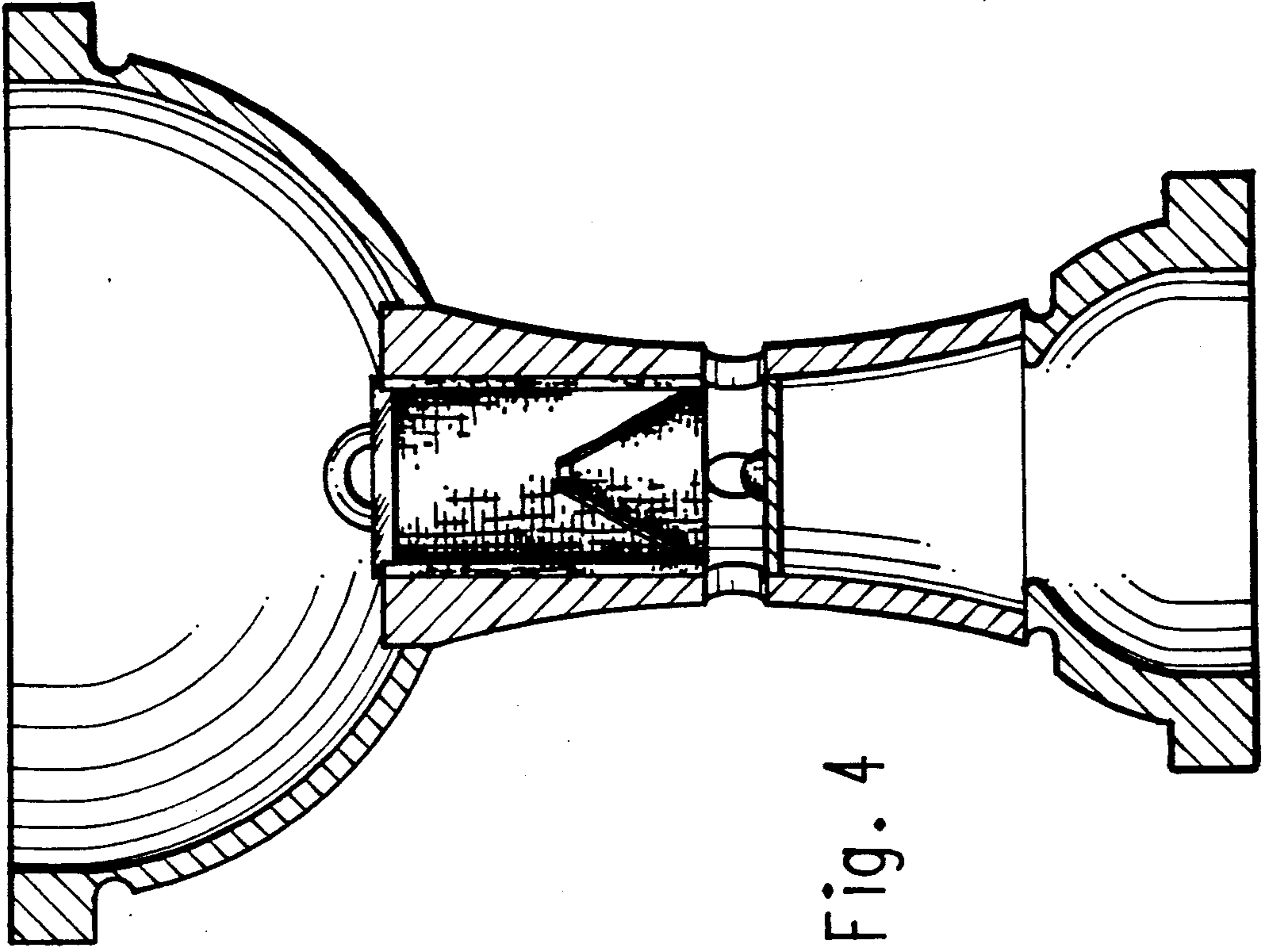


Fig. 4

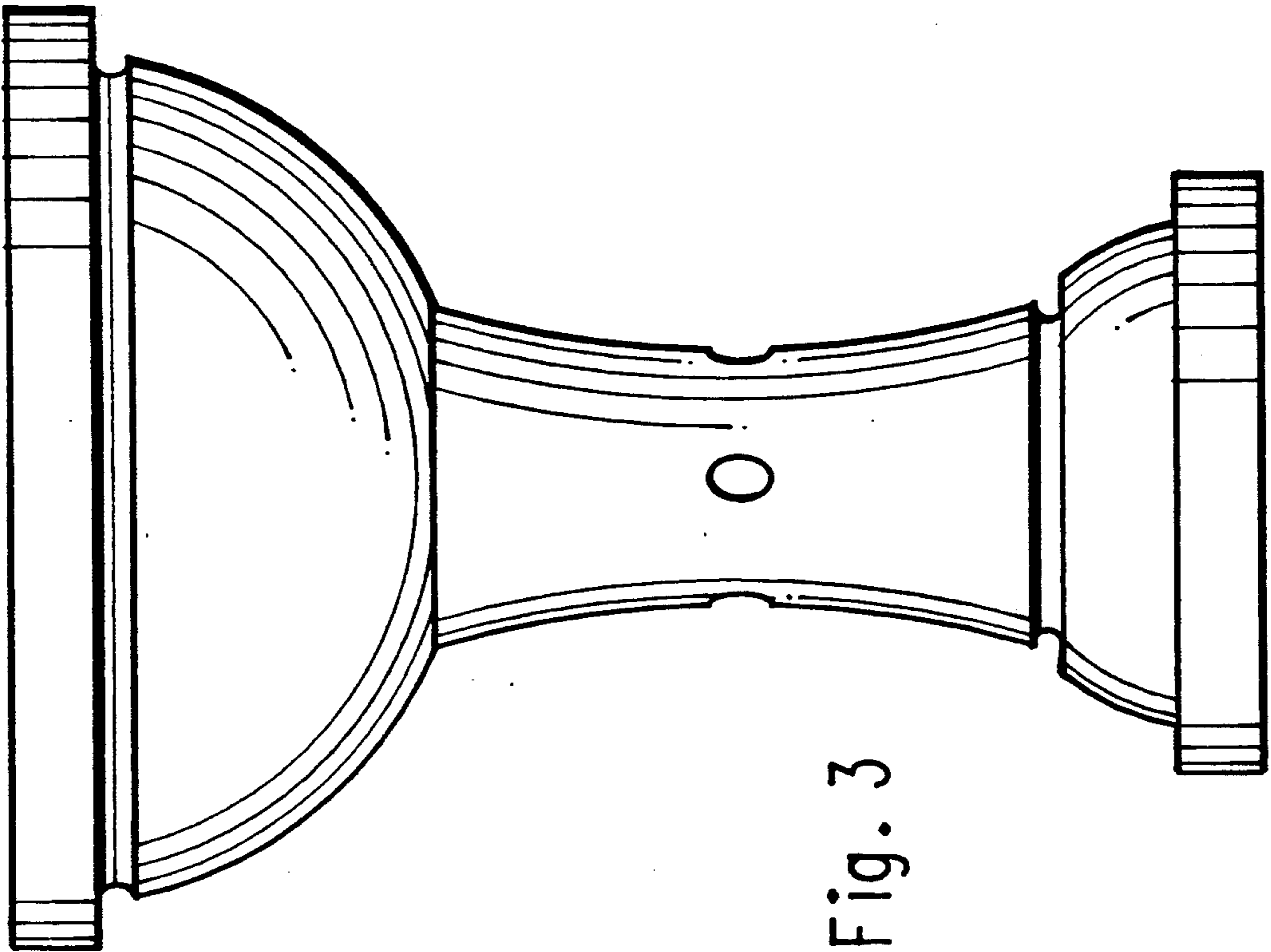


Fig. 3

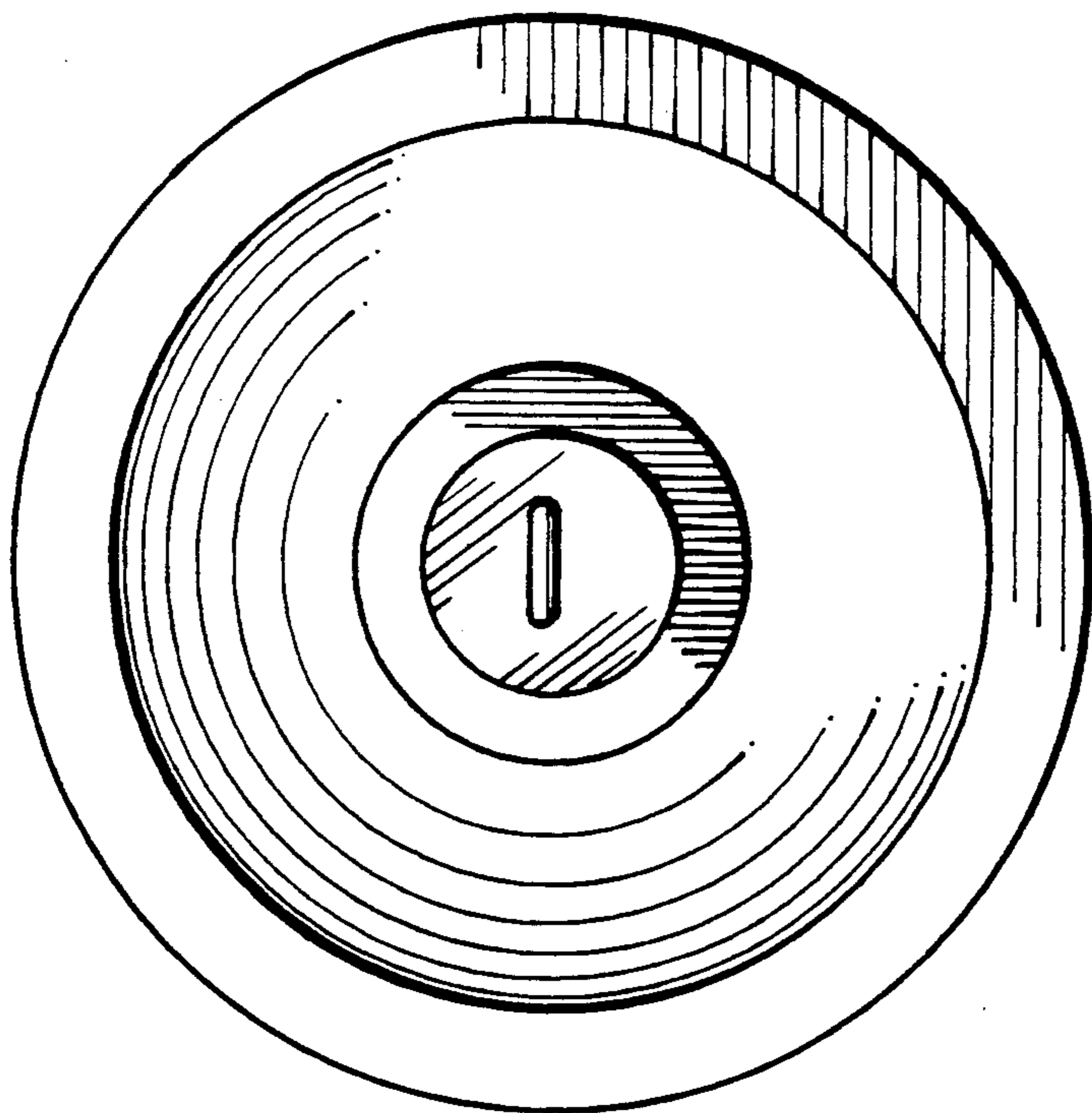


Fig. 5

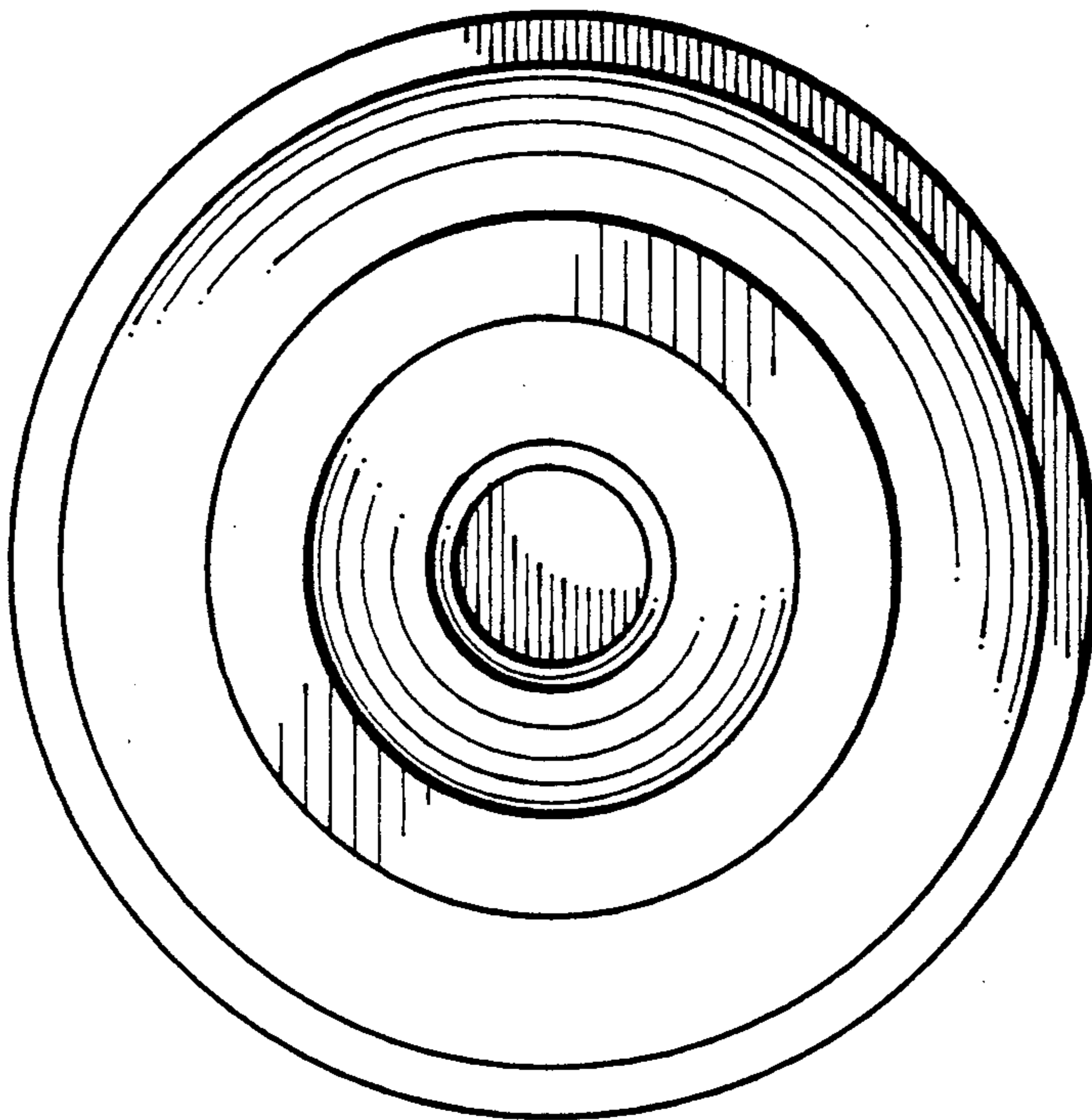


Fig. 6