



US00D325051S

United States Patent [19]

[11] Patent Number: **Des. 325,051**

Dean

[45] Date of Patent: **** Mar. 31, 1992**

[54] **GUIDE FOR CARRYING OUT WORD GAMES**

[56] **References Cited**

U.S. PATENT DOCUMENTS

D. 026,251 11/1896 Copland D19/37
D. 293,086 12/1987 LeMarie D19/37

[76] Inventor: **Ralph E. Dean, 8667 Keeney Rd.,
Leroy, N.Y. 14482**

Primary Examiner—Bernard Ansher
Assistant Examiner—Sandra Morris
Attorney, Agent, or Firm—Wall and Roehrig

[**] Term: **14 Years**

[57] **CLAIM**

The ornamental design for a guide for carrying out word games, as shown and described.

[21] Appl. No.: **379,893**

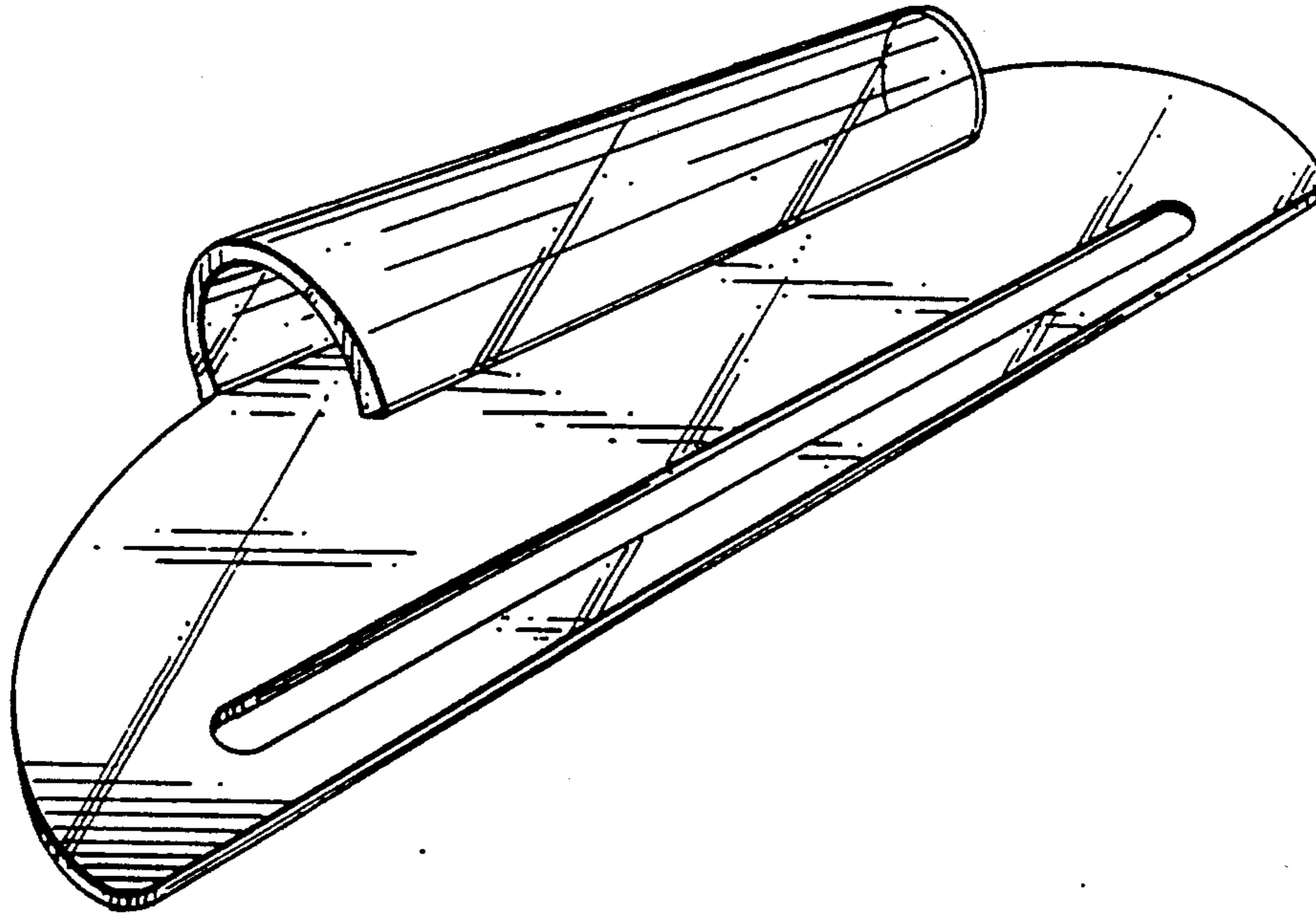
DESCRIPTION

[22] Filed: **Jul. 14, 1989**

FIG. 1 is a perspective view of a guide for carrying out word games, showing my new design;
FIG. 2 is a top plan view thereof;
FIG. 3 is a front elevational view thereof;
FIG. 4 is a bottom plan view thereof;
FIG. 5 is a rear elevational view thereof; and,
FIG. 6 is a left side elevational view thereof, the right side being a mirror image.

[52] U.S. Cl. **D21/48; D10/71;
D19/37**

[58] Field of Search **D21/14-36,
D21/48, 51; 273/236-285, 148 R; D19/37, 39,
40; D10/71**



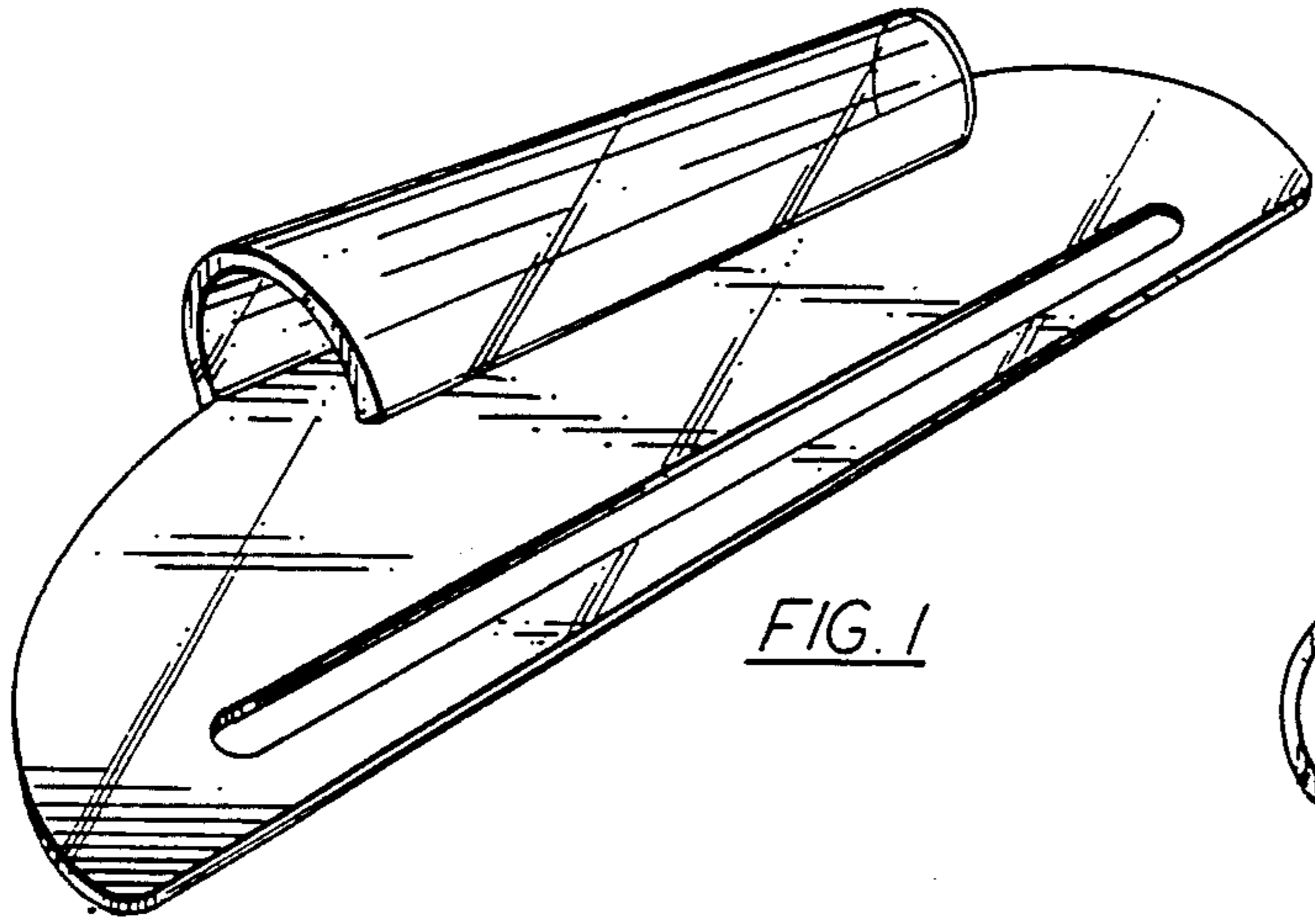


FIG. 1

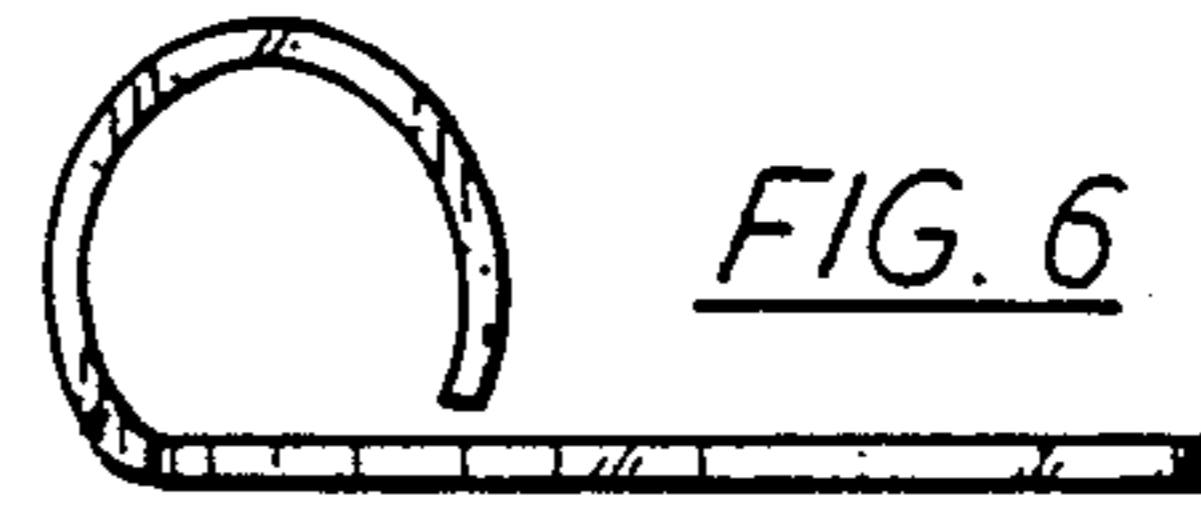


FIG. 6

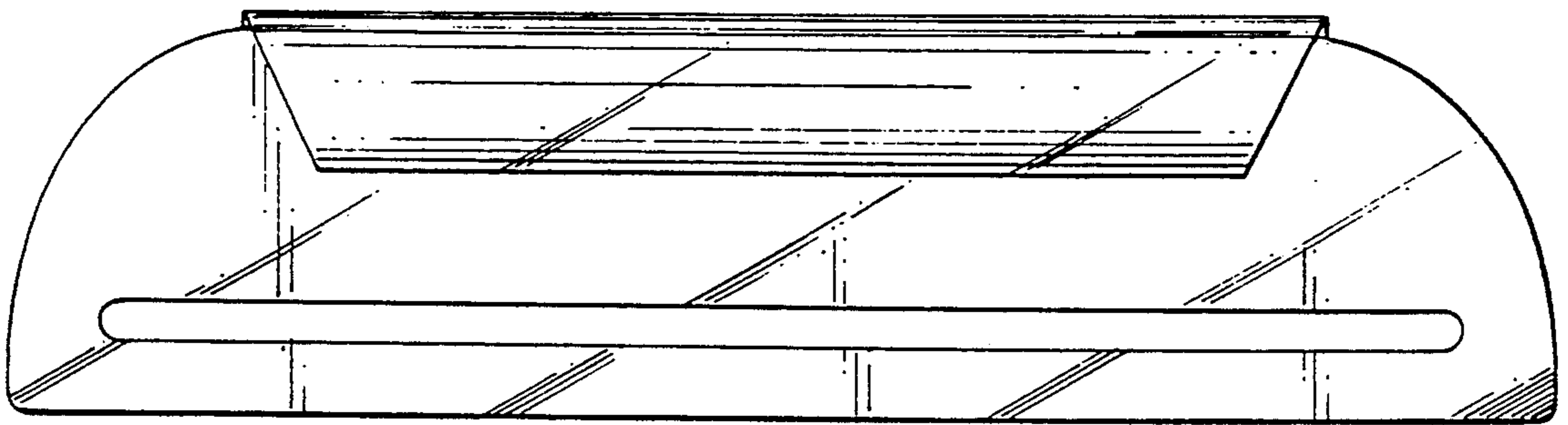


FIG. 2

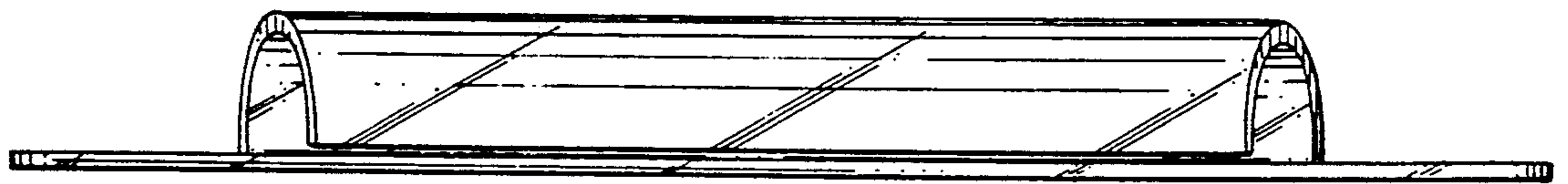


FIG. 3

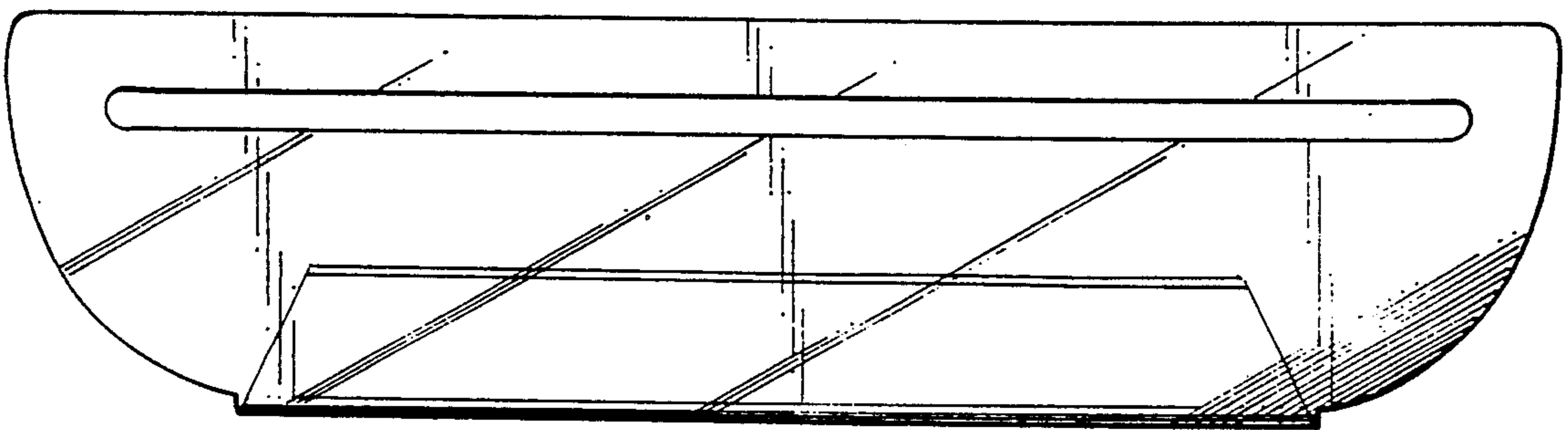


FIG. 4

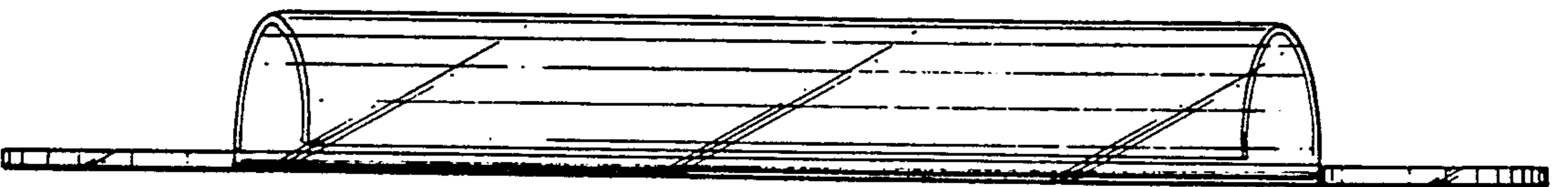


FIG. 5