



US00D325048S

# United States Patent [19]

[11] Patent Number: Des. 325,048

Penner

[45] Date of Patent: \*\* Mar. 31, 1992

[54] **MAGNETIZED BUSINESS CARD HOLDER**

[76] Inventor: **Wilmonte L. Penner**, 3960 El Camino Ave. #6, Sacramento, Calif. 95864

D. 299,094 12/1988 Mills ..... D6/515  
D. 303,400 9/1989 Higgins, Jr. .... D19/86  
D. 306,462 3/1990 Miles et al. .... D19/86  
3,185,482 5/1965 Russell ..... 206/39.6 X

[\*\*] Term: **14 Years**

*Primary Examiner*—Bruce W. Dunkins  
*Assistant Examiner*—Martha Thompson  
*Attorney, Agent, or Firm*—Mark C. Jacobs

[21] Appl. No.: **290,916**

[22] Filed: **Dec. 28, 1988**

[57] **CLAIM**

[52] U.S. Cl. .... **D19/86; D19/90; D19/91**

The ornamental design for magnetized business card holder, as shown and described.

[58] Field of Search ..... D21/54, 55, 57, 58; D6/515; D19/65, 75, 86, 90, 91, 92, 99, 100; 206/39.6, 215, 425, 555; 211/10, 11, 45, 50

**DESCRIPTION**

[56] **References Cited**

**U.S. PATENT DOCUMENTS**

D. 158,812 5/1950 Solomon ..... D21/54 X  
D. 164,862 10/1951 Johnson ..... D21/54  
D. 195,342 6/1963 Russell ..... D21/54  
D. 196,456 10/1963 Bieger ..... D21/54 X  
D. 287,980 1/1987 Adams ..... D19/86

FIG. 1 is a top plan view of a magnetized business card holder showing my new design; FIG. 2 is a left side elevational view; FIG. 3 is a front elevational view; FIG. 4 is a right side elevational view; FIG. 5 is a bottom plan view; FIG. 6 is a rear elevational view; and, FIG. 7 is perspective view of the magnetized business card holder of this design.

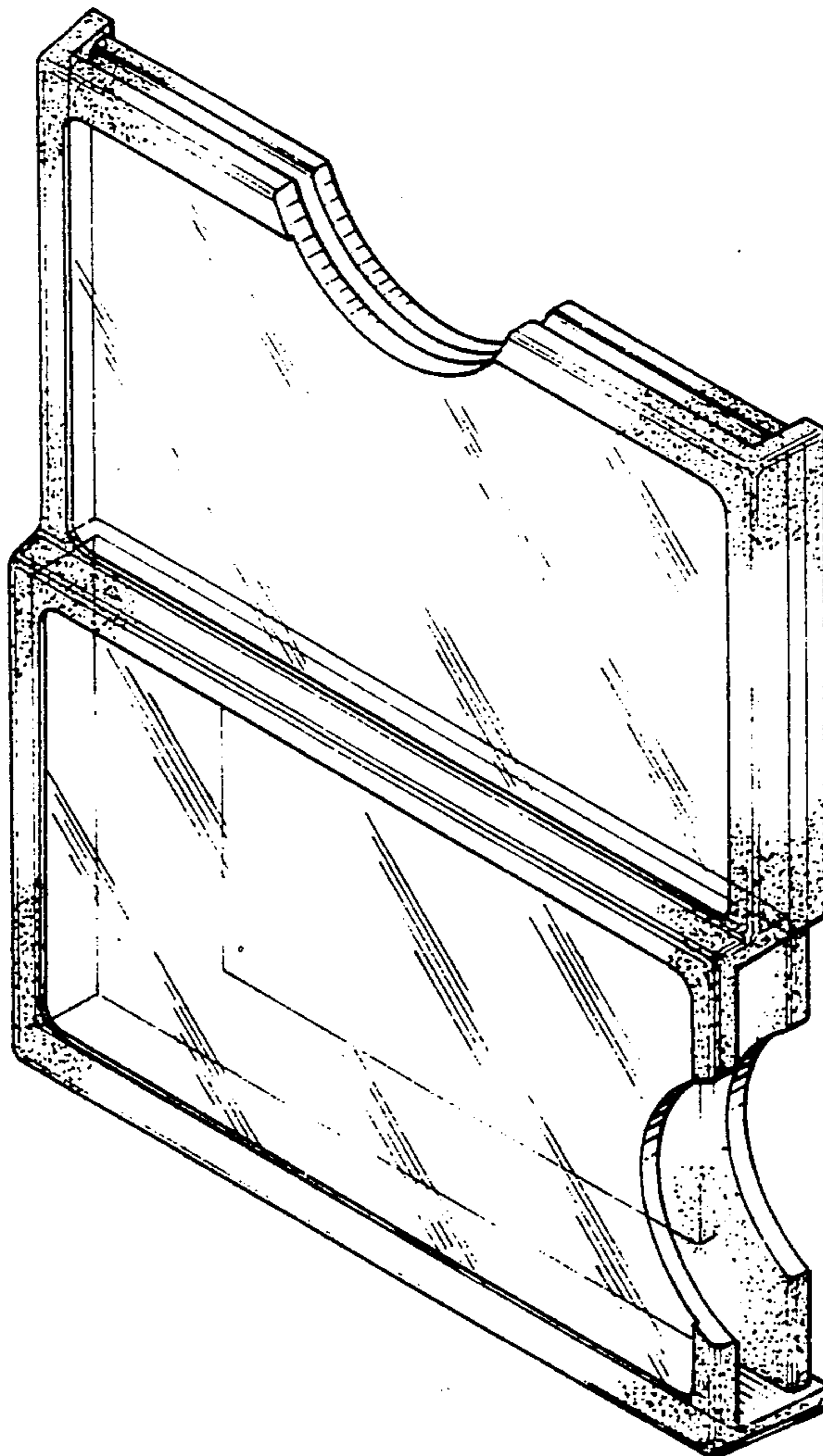


FIG. 1

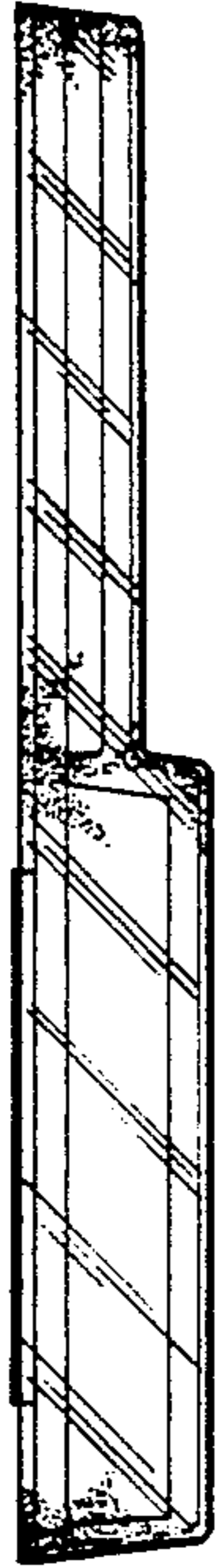


FIG. 2

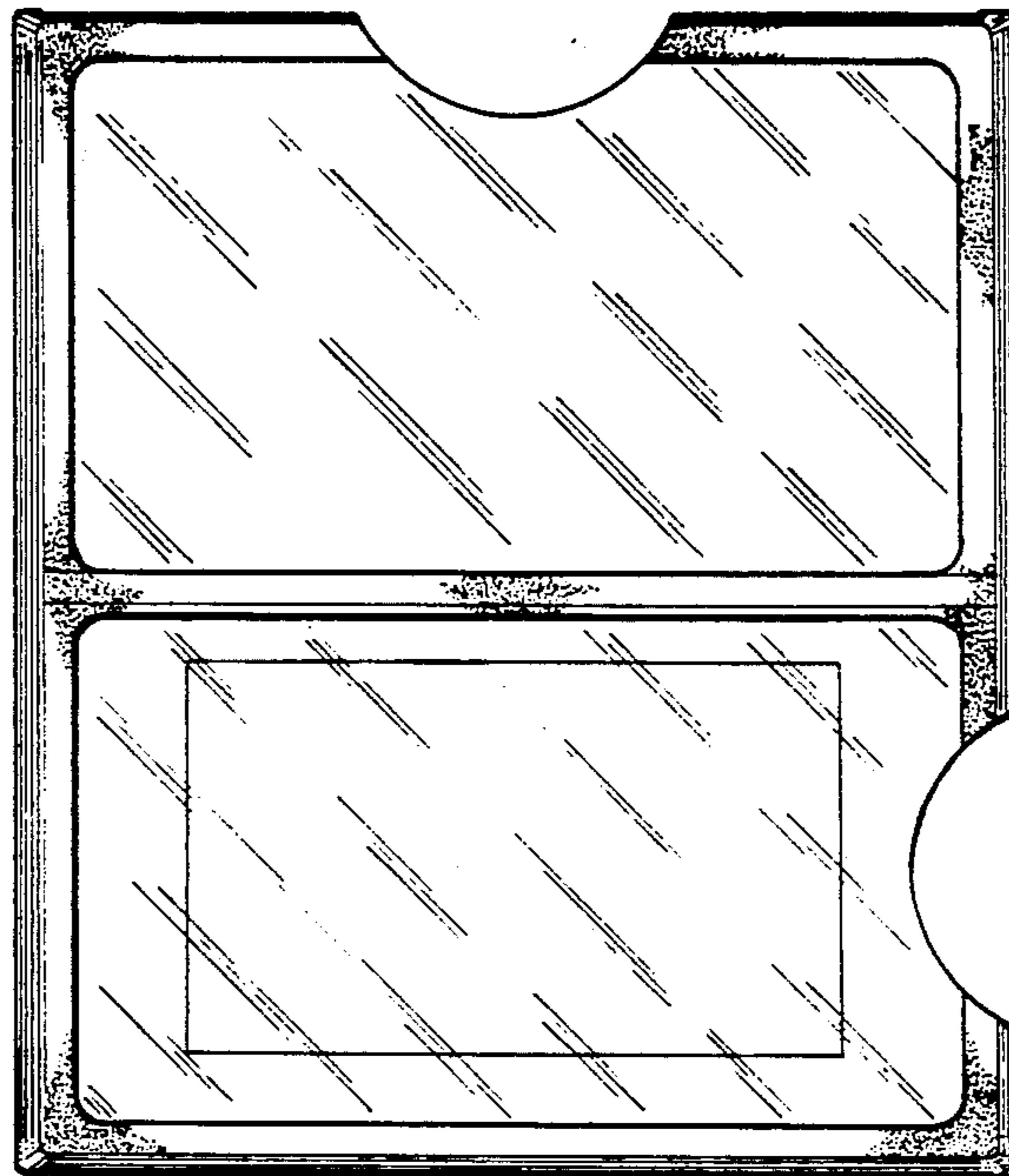


FIG. 3



FIG. 4

FIG. 5

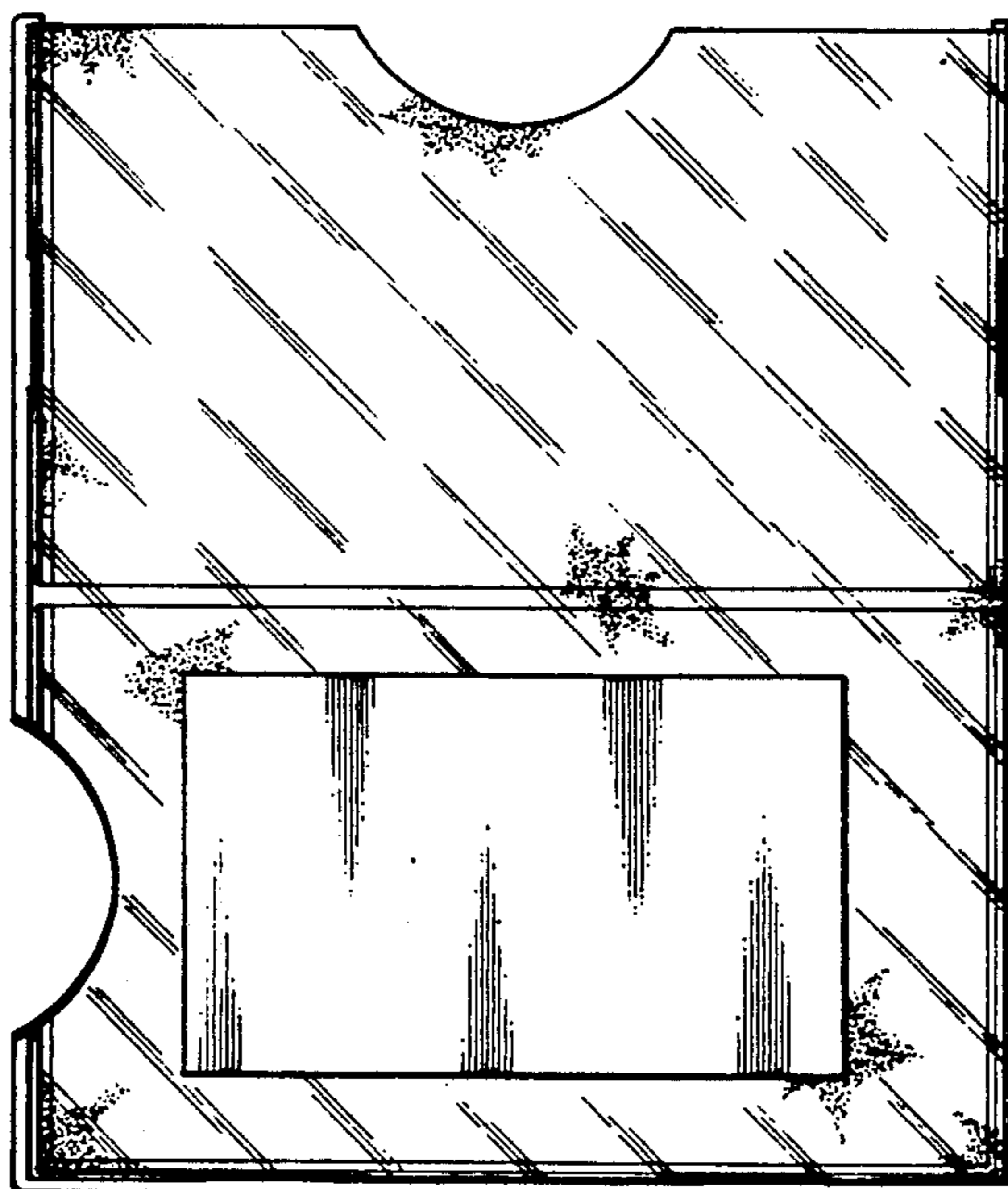


FIG. 6

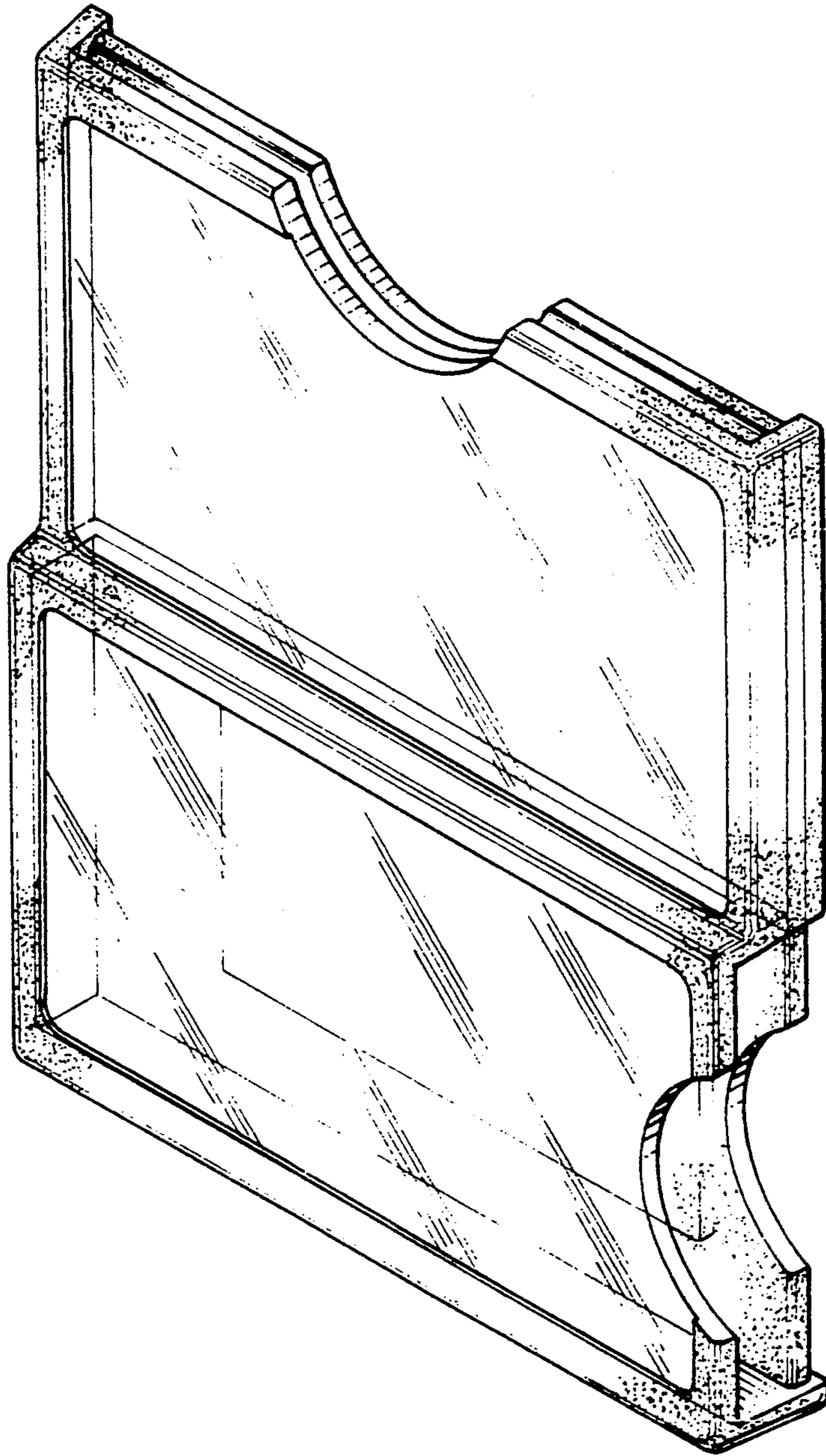


FIG. 7.