



US00D325046S

United States Patent [19]

[11] Patent Number: **Des. 325,046**

Liguori

[45] Date of Patent: **** Mar. 31, 1992**

[54] PEN

[75] Inventor: **Tom Liguori, Poway, Calif.**

[73] Assignee: **National Pen Corporation, San Diego, Calif.**

[**] Term: **14 Years**

[21] Appl. No.: **309,066**

[22] Filed: **Feb. 13, 1989**

[52] U.S. Cl. **D19/51; D19/41; D19/48; D19/56**

[58] Field of Search **D19/35, 36, 41-51, D19/54-58; 401/209, 195, 99, 101, 104**

[56] **References Cited**

U.S. PATENT DOCUMENTS

D. 83,152	1/1931	Deli	D19/48
D. 112,750	12/1938	Blake	D19/48
D. 120,127	4/1940	Lipic	D19/48

D. 159,125	6/1950	Wuestman	D19/48
D. 216,844	3/1970	Shimada	D19/49
3,228,378	1/1966	Rohrmuller	401/195
3,343,293	9/1967	Kirklen	401/195

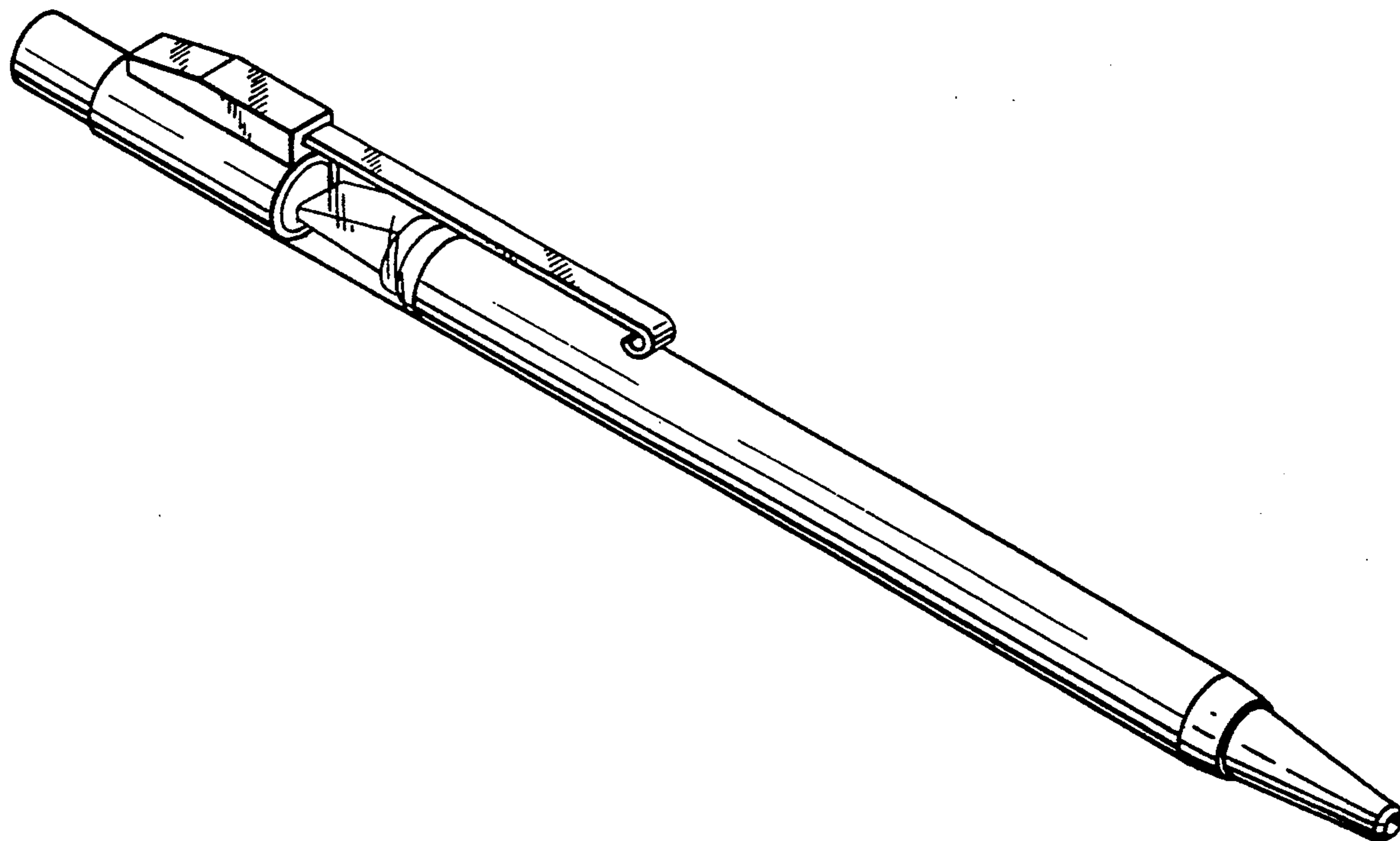
Primary Examiner—Bruce W. Dunkins
Assistant Examiner—Martha Thompson
Attorney, Agent, or Firm—Spensley Horn Jubas & Lubitz

[57] **CLAIM**

The ornamental design for a pen, as shown and described.

DESCRIPTION

FIG. 1 is a bottom left front perspective view of a pen showing my new design;
FIG. 2 is a top right front perspective view thereof;
FIG. 3 is a bottom plan view thereof;
FIG. 4 is a top plan view thereof; and,
FIG. 5 is an enlarged fragmentary view, showing the transparent portion of the pen in greater detail.



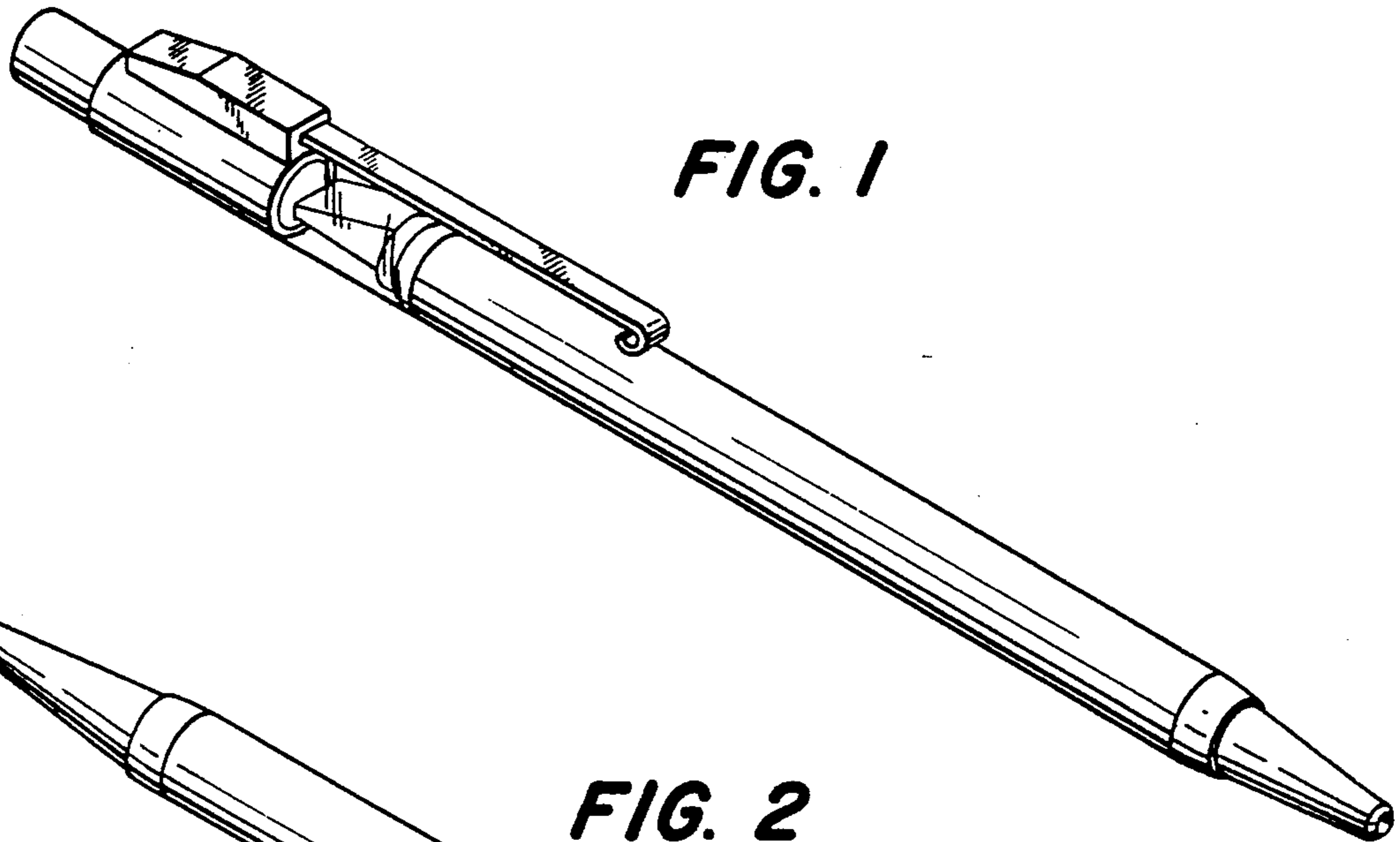


FIG. 3

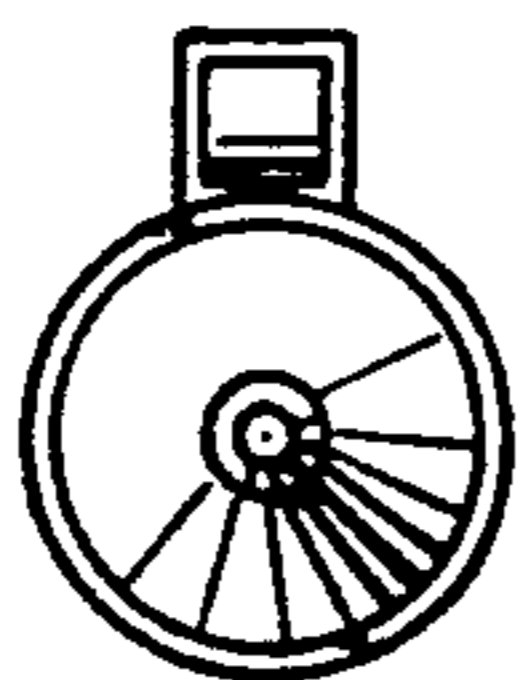


FIG. 4



FIG. 5

