



US00D325038S

United States Patent [19]

[11] Patent Number: **Des. 325,038**

Tell

[45] Date of Patent: **** Mar. 31, 1992**

[54] **COMPACT EJECTOR UNIT**

[56] **References Cited**

[76] Inventor: **Peter Tell, Breviksvägen 27, S-184 00 Åkersberga, Sweden**

U.S. PATENT DOCUMENTS

3,352,348	11/1967	Daviau	417/174
4,395,202	7/1983	Tell	417/169
4,425,084	1/1984	Tell	417/161
4,565,499	1/1986	Greenberg	417/174

[**] Term: **14 Years**

Primary Examiner—Bruce W. Dunkins
Assistant Examiner—Antoine D. Davis
Attorney, Agent, or Firm—Young & Thompson

[21] Appl. No.: **280,537**

[57] **CLAIM**

[22] Filed: **Dec. 6, 1988**

The ornamental design for a compact ejector unit, as shown and described.

[30] **Foreign Application Priority Data**

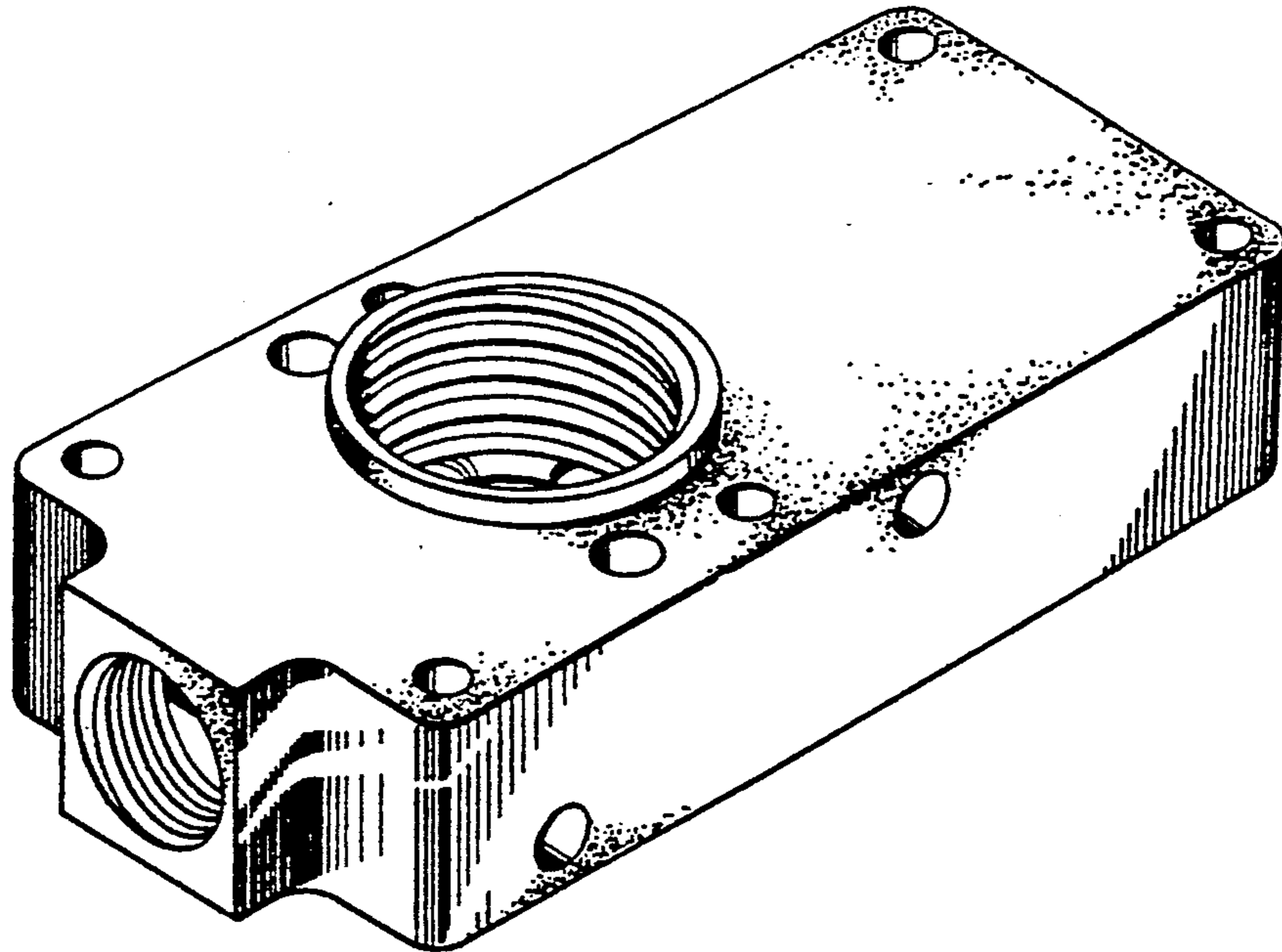
Jun. 8, 1988 [SE] Sweden 88-1421

DESCRIPTION

[52] U.S. Cl. **D15/199**

FIG. 1 is a top perspective view of the compact ejector unit showing my new design; and, FIG. 2 is a bottom perspective view thereof.

[58] Field of Search D15/199; 417/54, 161, 417/169, 174, 189, 190, 191



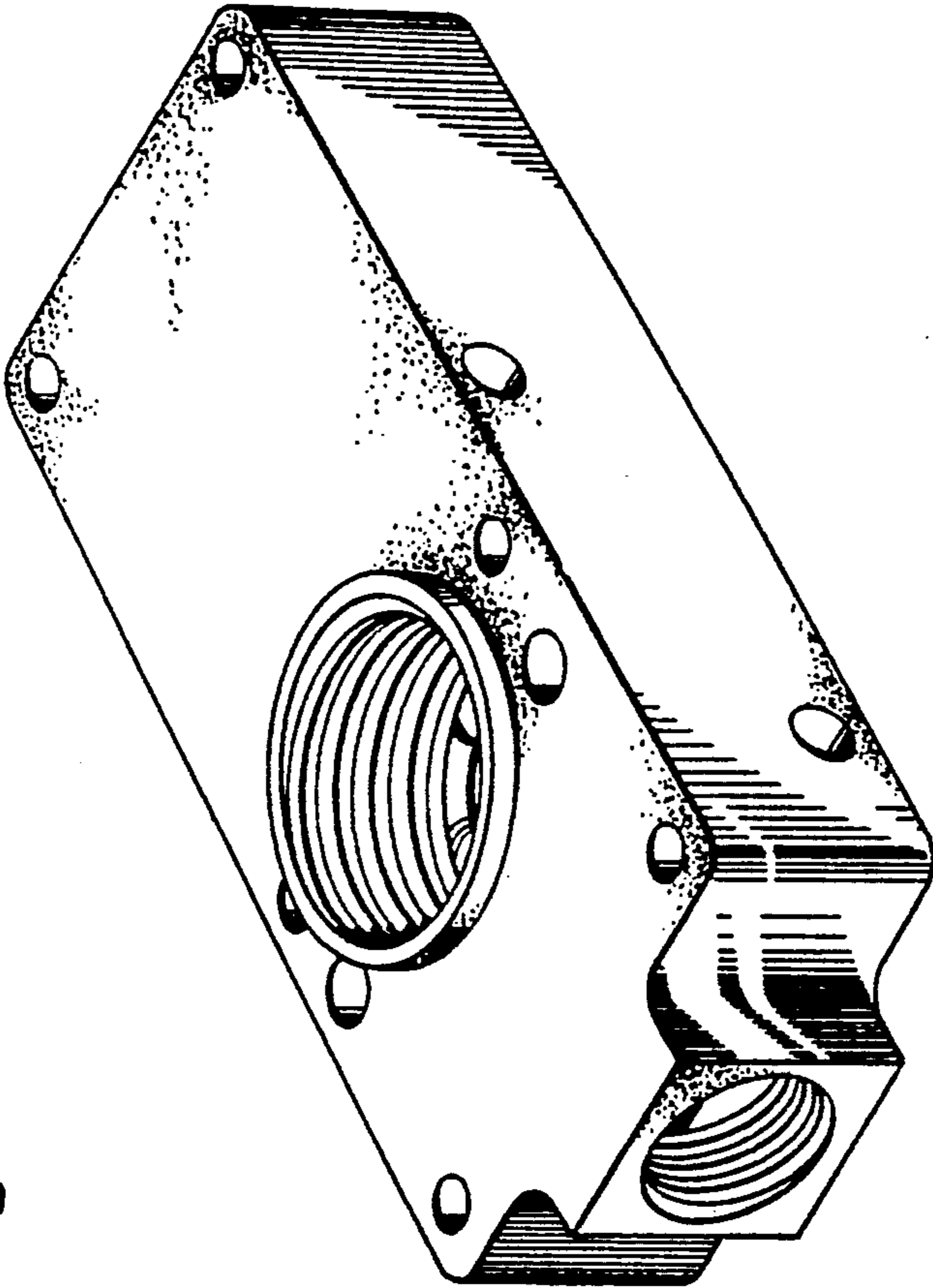


Fig. 1

Fig. 2

