



US00D325036S

# United States Patent [19]

[11] Patent Number: **Des. 325,036**

Schulz

[45] Date of Patent: **\*\* Mar. 31, 1992**

[54] **SACK CLOSING INSTRUMENT**

2,777,408 1/1957 Beck ..... 53/138.5 X  
3,691,968 9/1972 Schnepf ..... 53/375.4 X  
4,166,348 9/1979 Carlson ..... D15/145 X

[76] Inventor: **Roland Schulz**, Brugwal 11,  
Nieuwegein, Netherlands

*Primary Examiner*—Bruce W. Dunkins  
*Assistant Examiner*—Antoine D. Davis  
*Attorney, Agent, or Firm*—Hill, Van Santen, Steadman &  
Simpson

[\*\*] Term: **14 Years**

[21] Appl. No.: **412,387**

[22] Filed: **Sep. 26, 1989**

[57] **CLAIM**

[30] **Foreign Application Priority Data**

The ornamental design for a sack closing instrument, as shown.

Mar. 31, 1989 [XB] Benelux ..... 64224-02

[52] U.S. Cl. .... **D15/145**

[58] Field of Search ..... D15/145; 53/138.5, 375.4

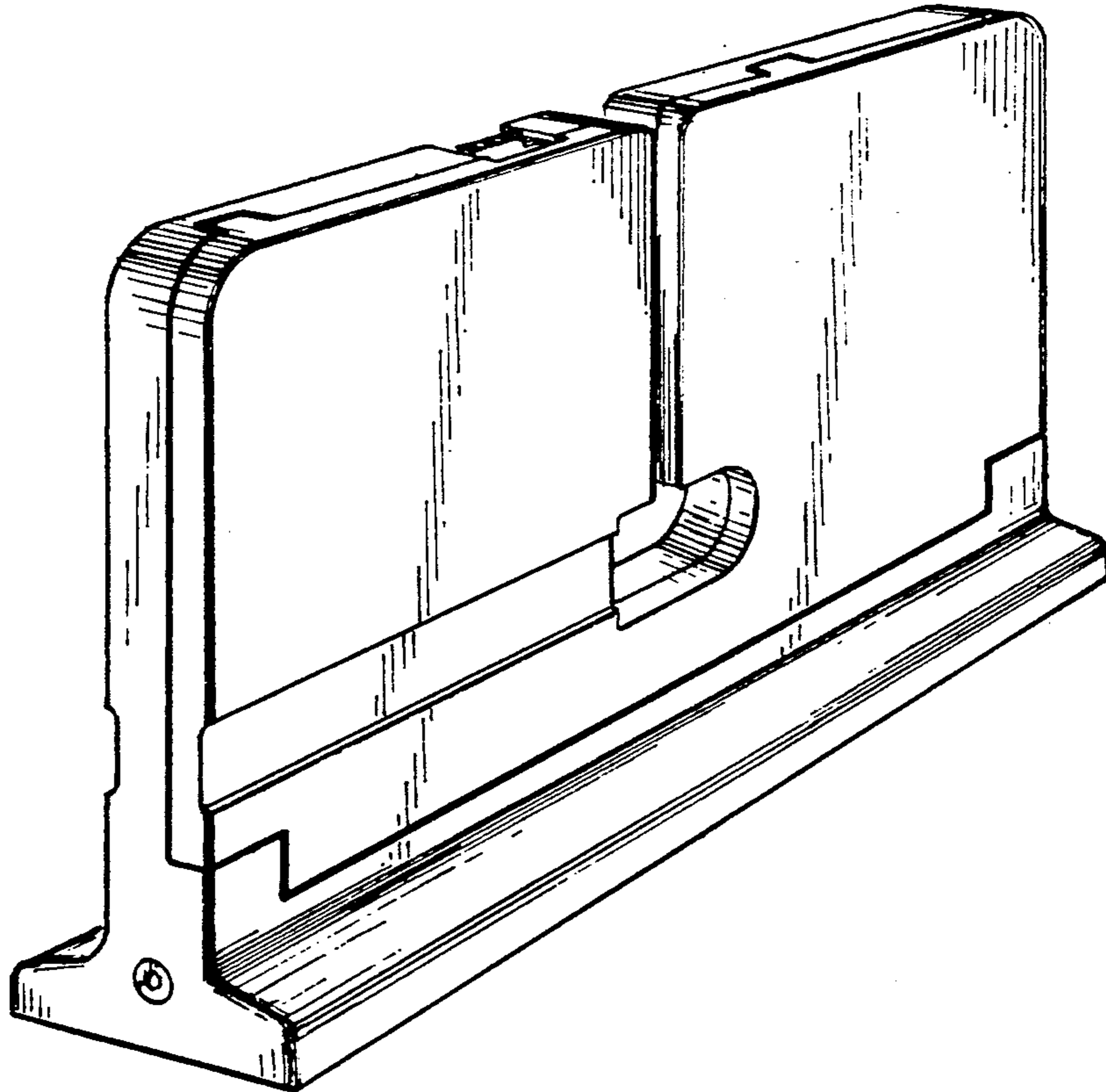
**DESCRIPTION**

[56] **References Cited**

FIG. 1 is a top, front and left side perspective view of a sack closing instrument showing my new design;  
FIG. 2 is a top, rear and left side perspective view;  
FIG. 3 is a rear elevational view;  
FIG. 4 is a right side elevational view;  
FIG. 5 is a left side elevational view;  
FIG. 6 is a front elevational view; and,  
FIG. 7 is a top plan view thereof.

**U.S. PATENT DOCUMENTS**

- D. 230,504 2/1974 Gentry et al. .... D15/145
- D. 248,399 7/1978 Dobson et al. .... D15/146
- D. 266,328 9/1982 Fleshman ..... D15/146 X
- 2,378,920 6/1945 Gillican ..... 53/138.5 X
- 2,673,016 3/1954 Gerbe ..... D15/145 X



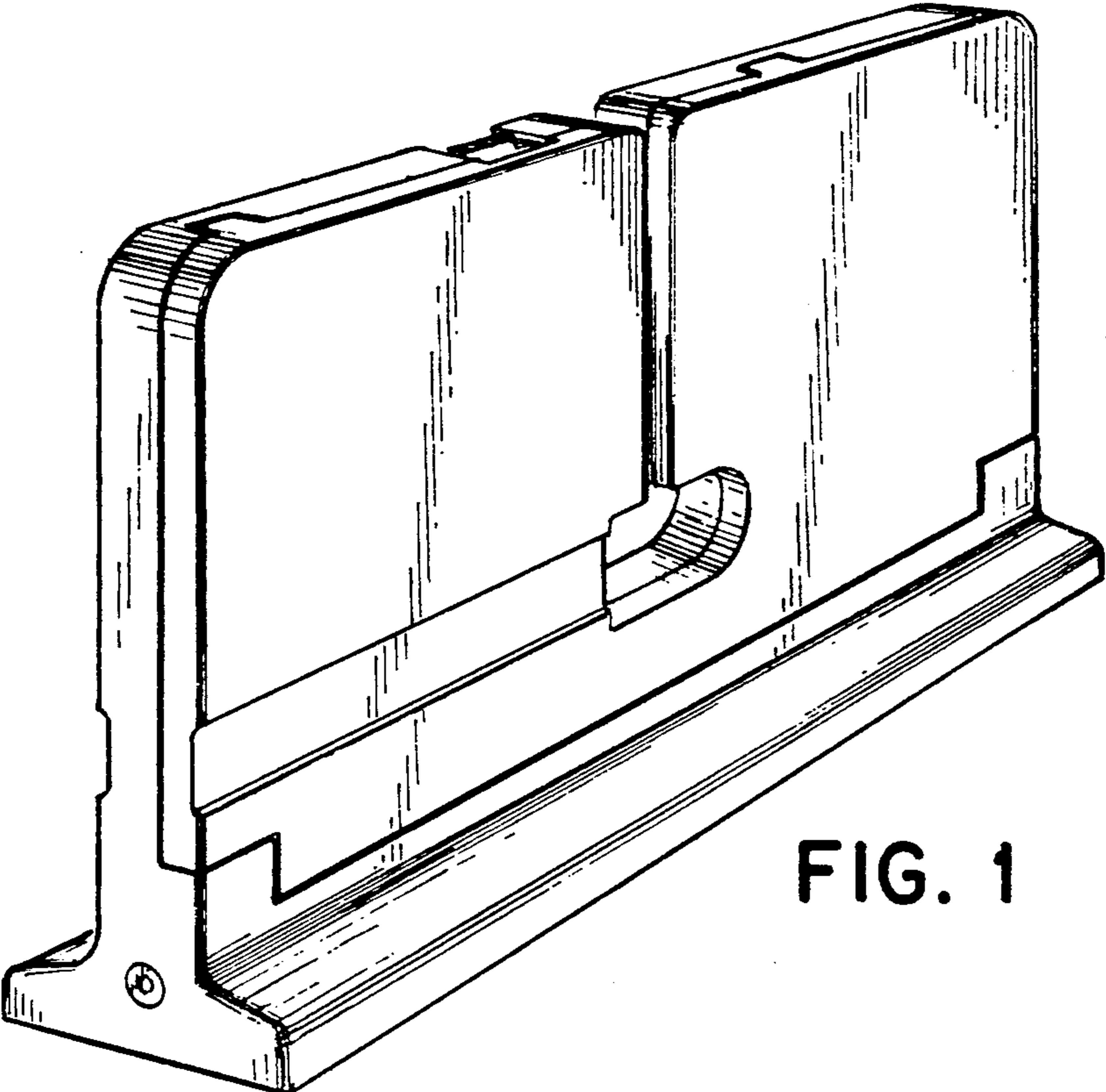


FIG. 1

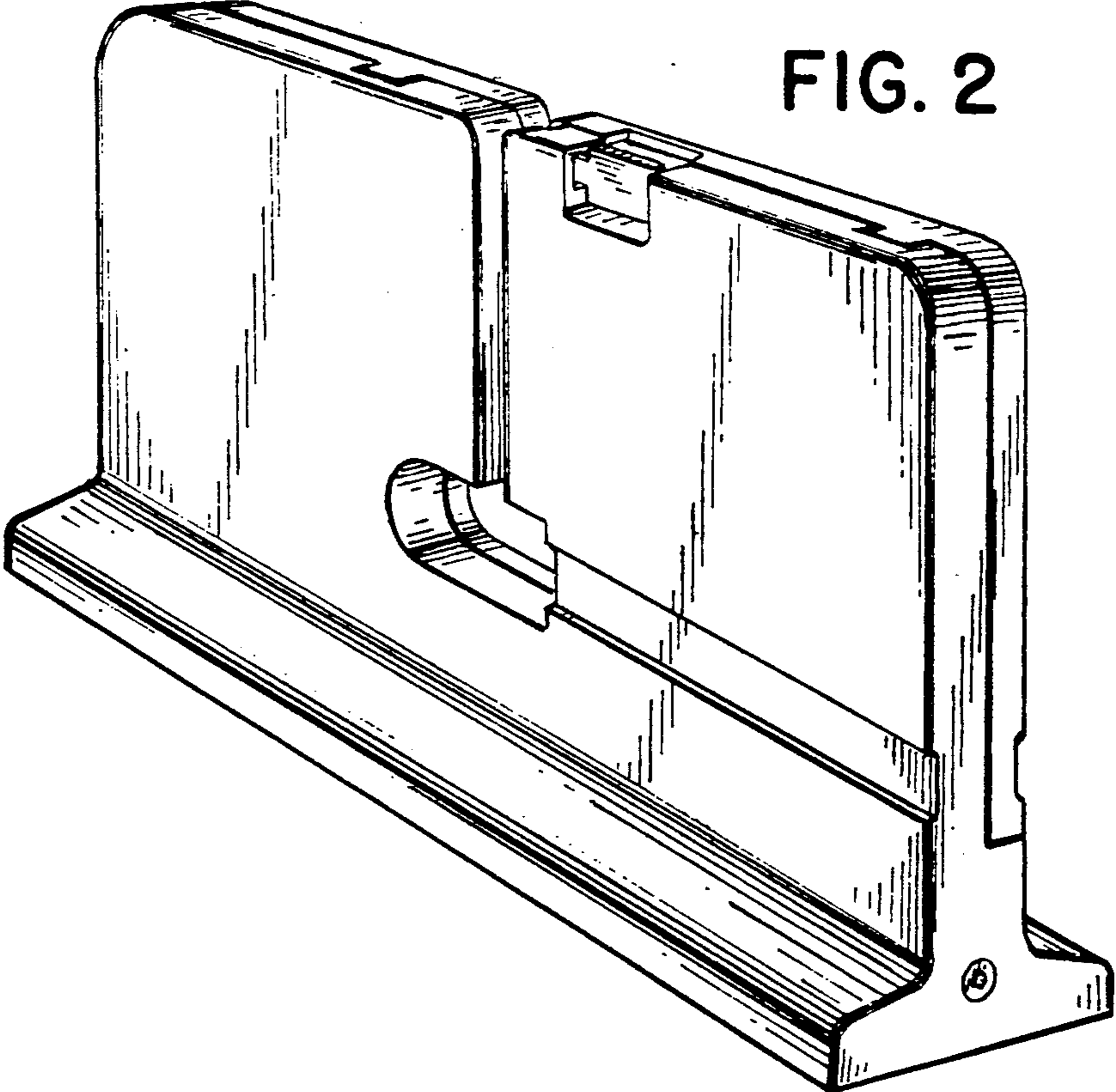


FIG. 2

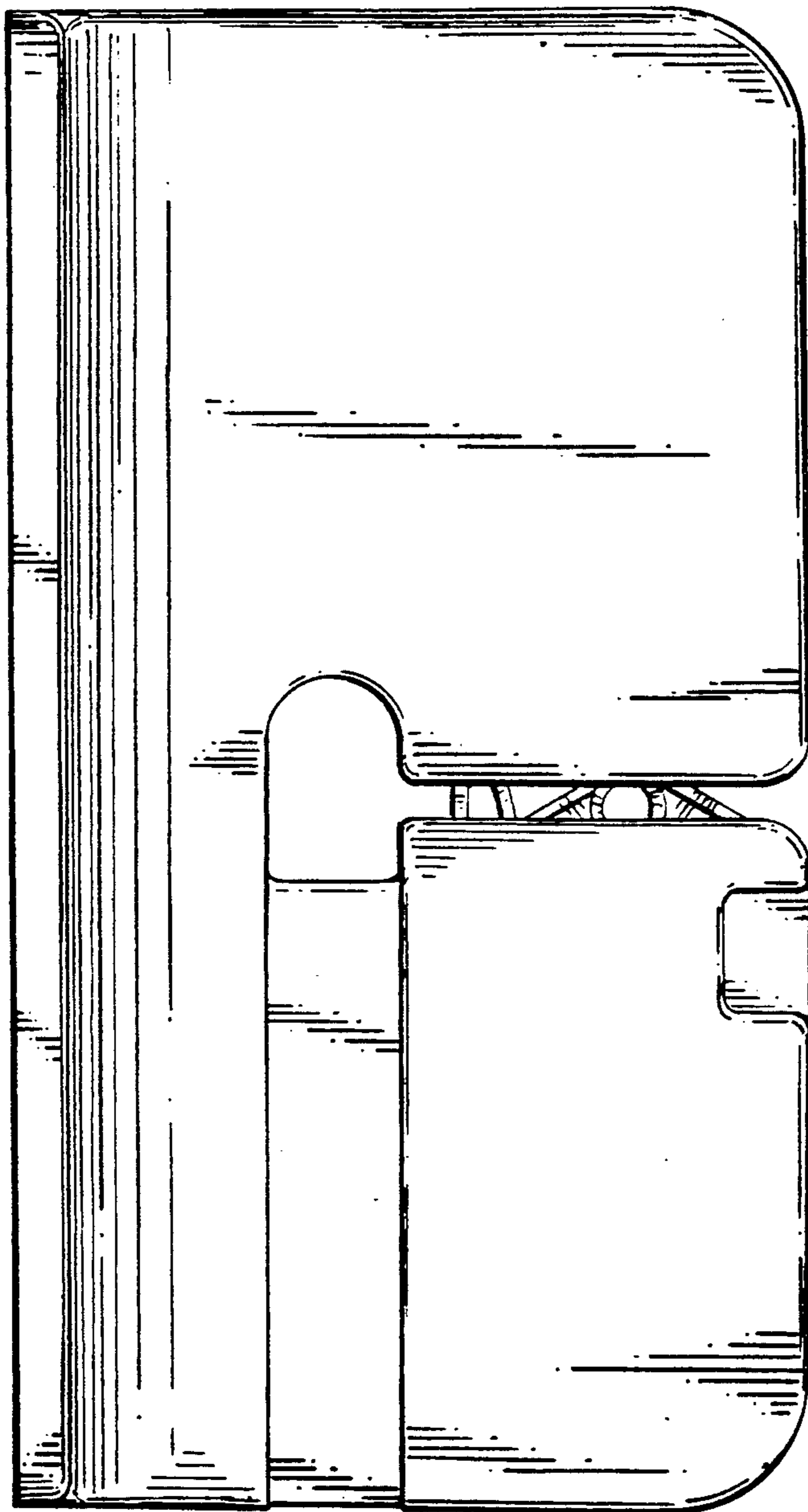


FIG. 3

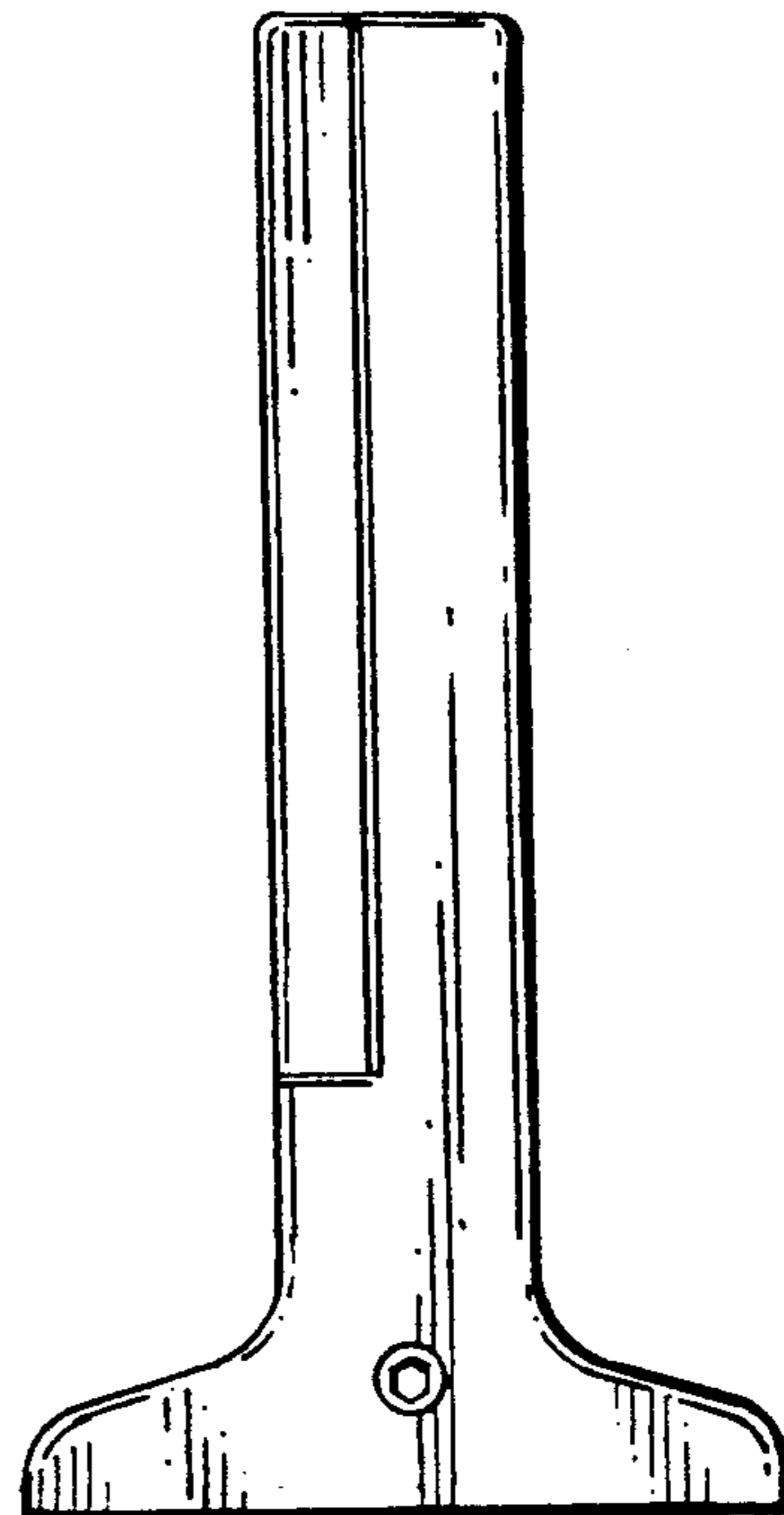


FIG. 4

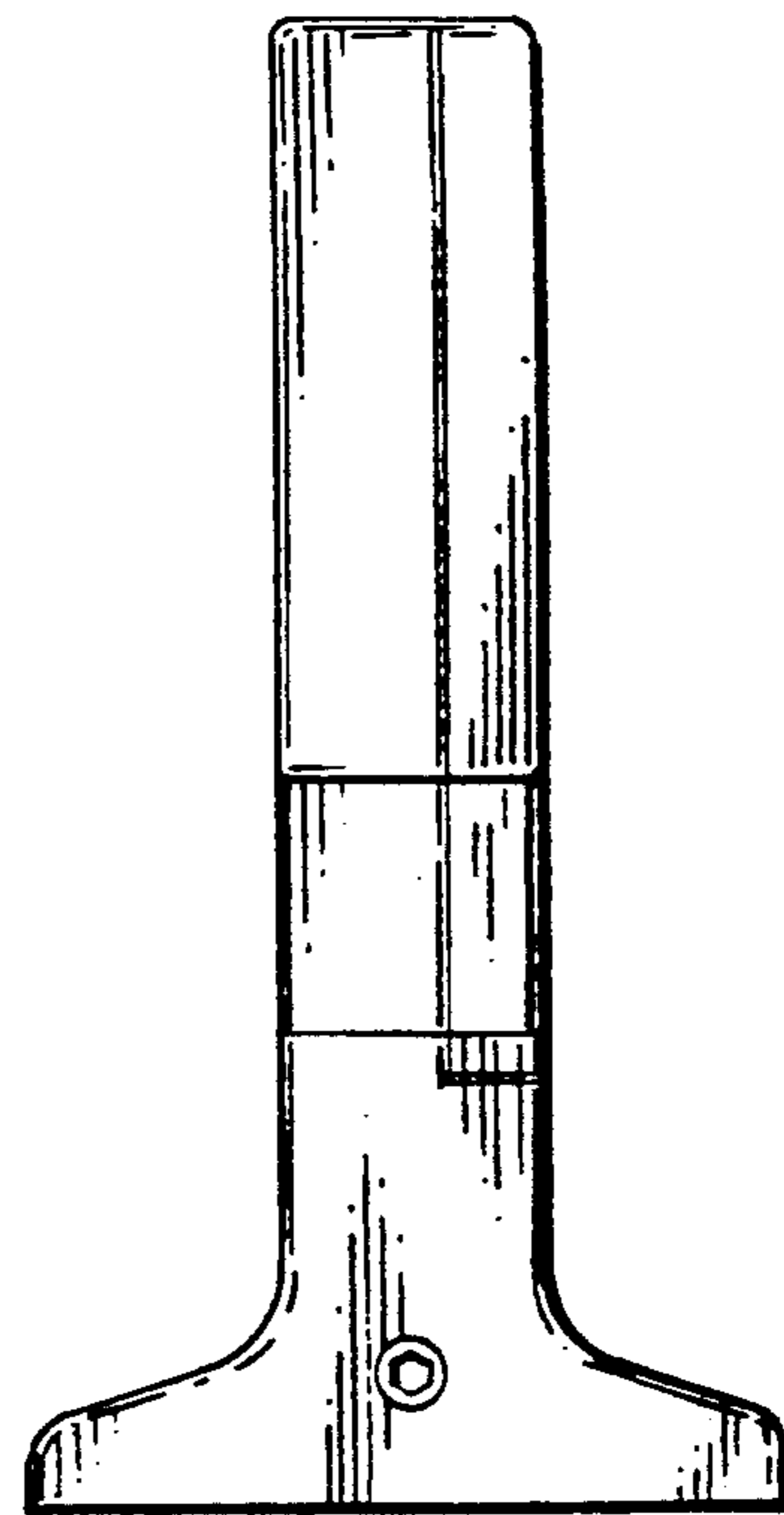


FIG. 5

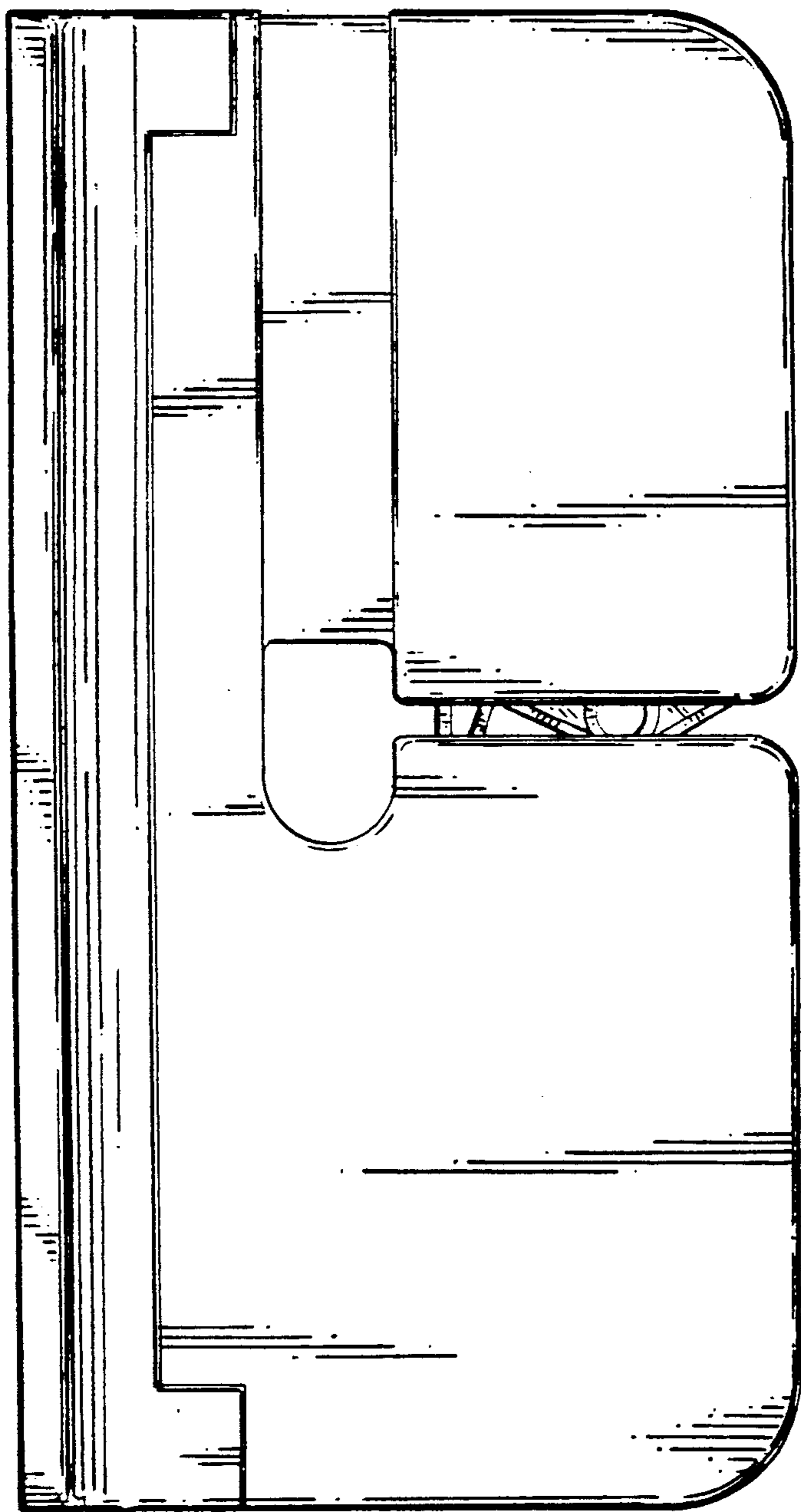


FIG. 6

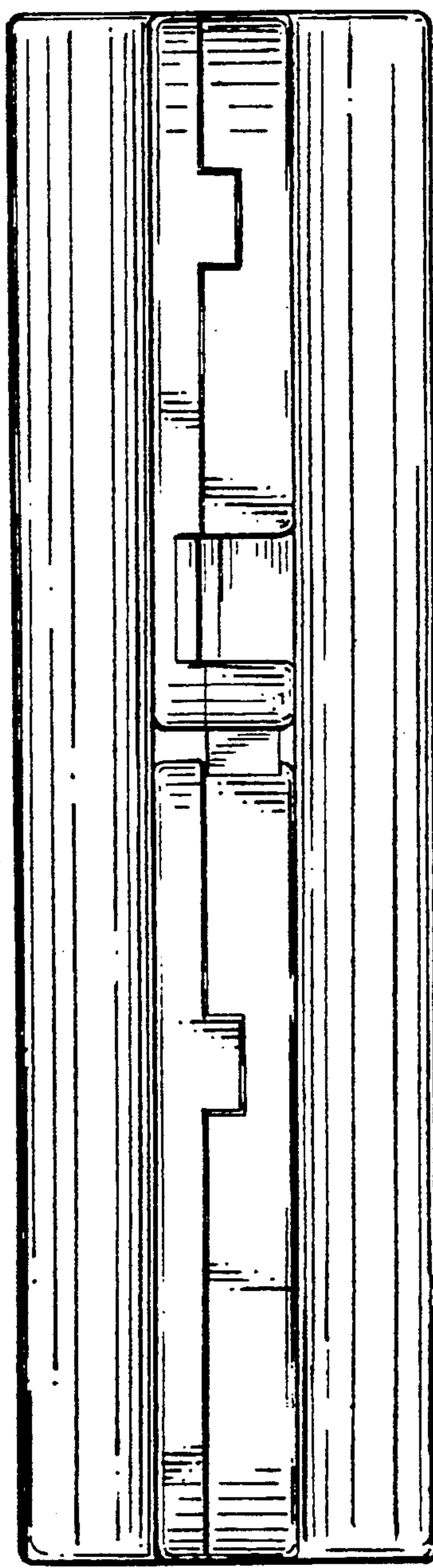


FIG. 7