



US00D325035S

United States Patent [19]

[11] Patent Number: **Des. 325,035**

Sparks

[45] Date of Patent: **** Mar. 31, 1992**

[54] **PROTECTIVE SHIELD**

1,217,838	2/1917	Schmidt	D15/138
4,423,568	1/1984	Gould	D15/138
4,543,021	9/1985	Adler	51/272

[76] Inventor: **Carol A. Sparks**, 1624 NE. 76th Ave.,
Portland, Oreg. 97213

Primary Examiner—Bernard Ansher
Assistant Examiner—Philip S. Hyder
Attorney, Agent, or Firm—Kolisich, Hartwell,
Dickinson, McCormack & Heuser

[**] Term: **14 Years**

[21] Appl. No.: **236,630**

[57] **CLAIM**

[22] Filed: **Aug. 25, 1988**

The ornamental design for a protective shield, as shown and described.

[52] U.S. Cl. **D15/138**

[58] Field of Search **D14/299; D6/406, 419;**
D15/138; 51/131.3, 267, 268, 270, 272, 283 E

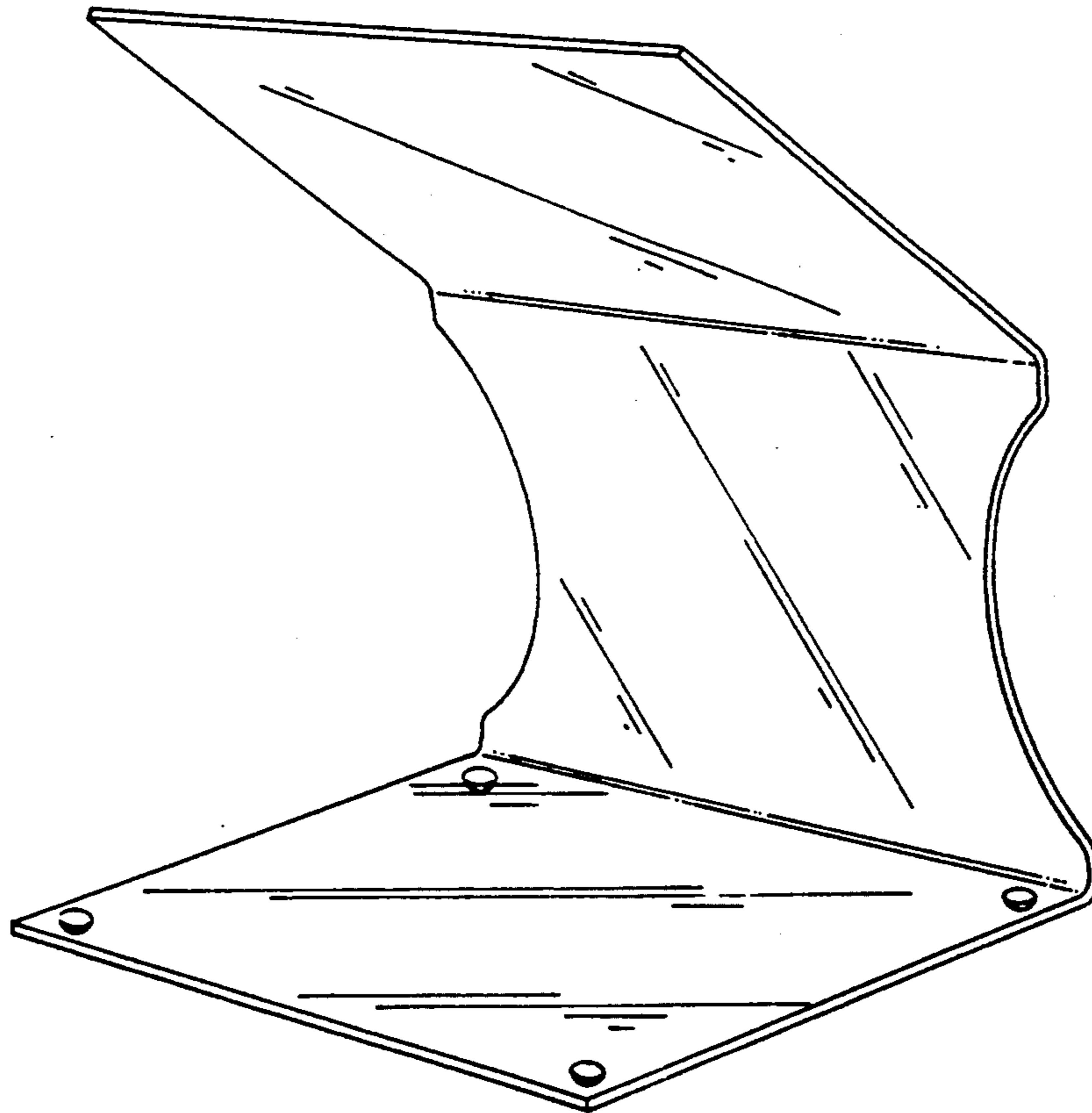
DESCRIPTION

[56] **References Cited**

U.S. PATENT DOCUMENTS

D. 213,447	3/1969	Small	D14/265
D. 254,110	2/1980	Stanley	D6/419
D. 264,722	6/1982	Summers et al.	D15/138
D. 290,706	7/1987	Peart et al.	D6/406
D. 293,634	1/1988	Rattner	D6/406
D. 299,601	1/1989	Campbell	D6/406

FIG. 1 is a perspective view of a protective shield showing my new design;
FIG. 2 is a right-side elevational view thereof, the left side view being a mirror image;
FIG. 3 is a top plan view thereof;
FIG. 4 is a bottom plan view thereof;
FIG. 5 is a front elevational view thereof; and,
FIG. 6 is a rear elevational view thereof.



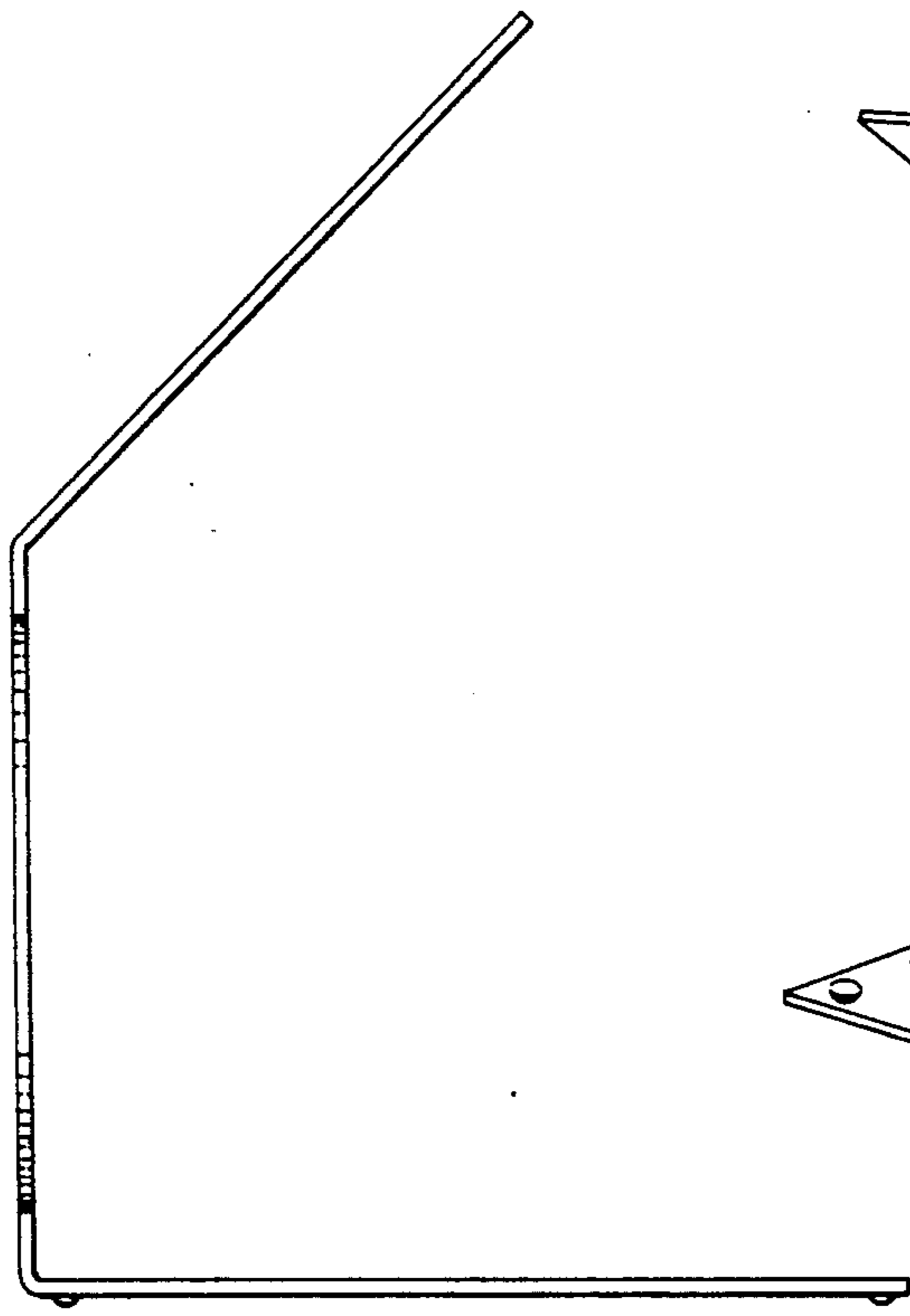


FIG. 2

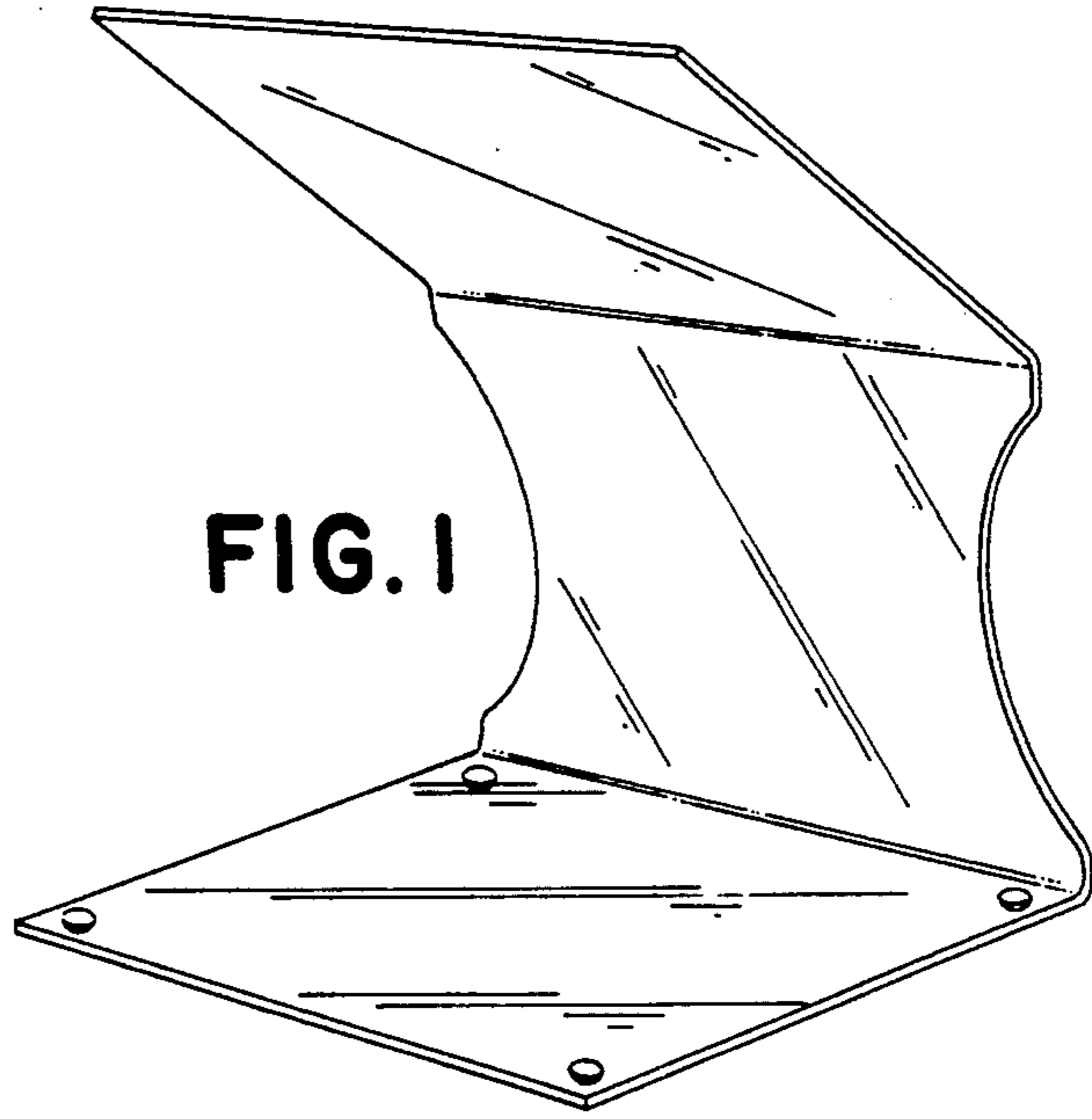


FIG. 1

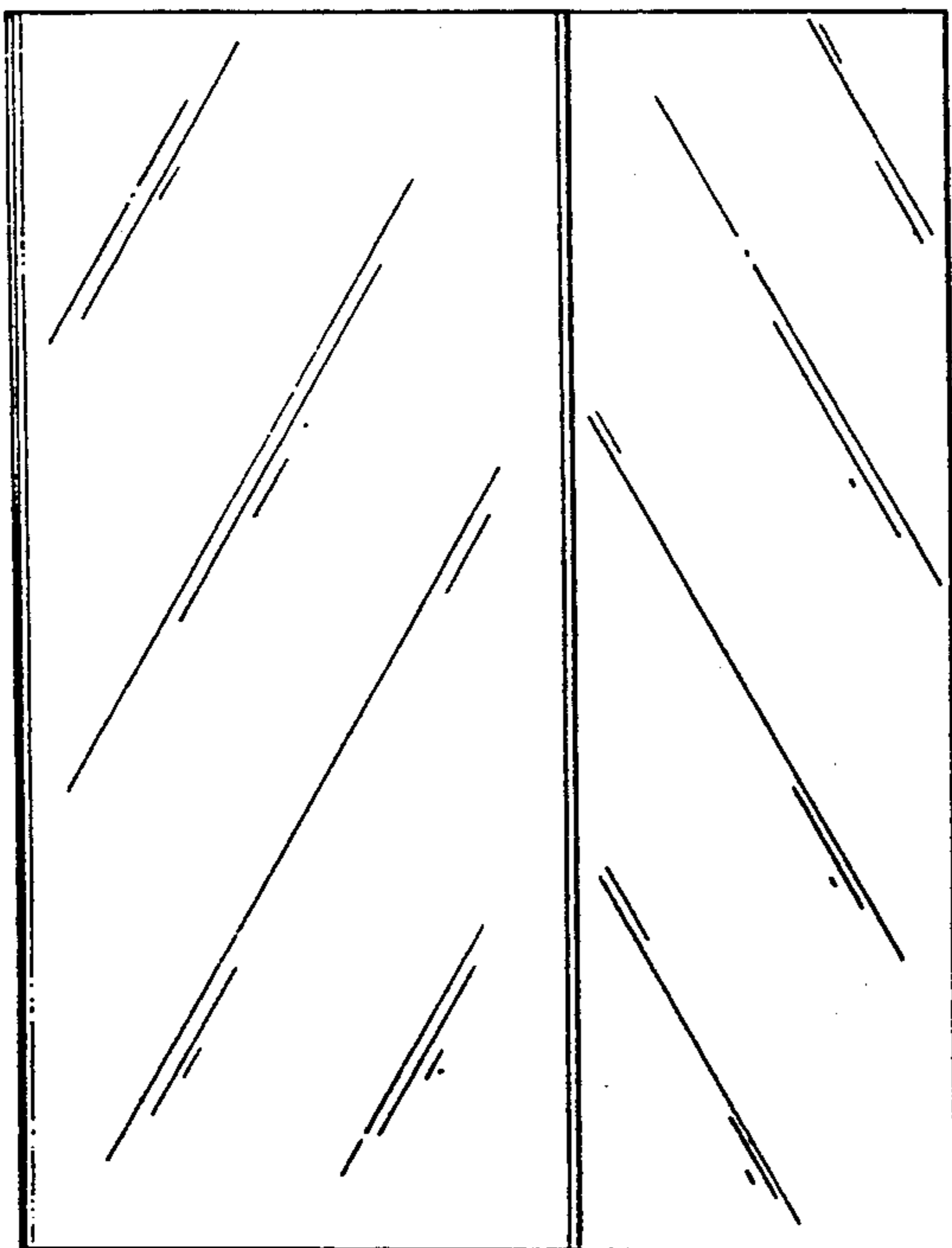


FIG. 3

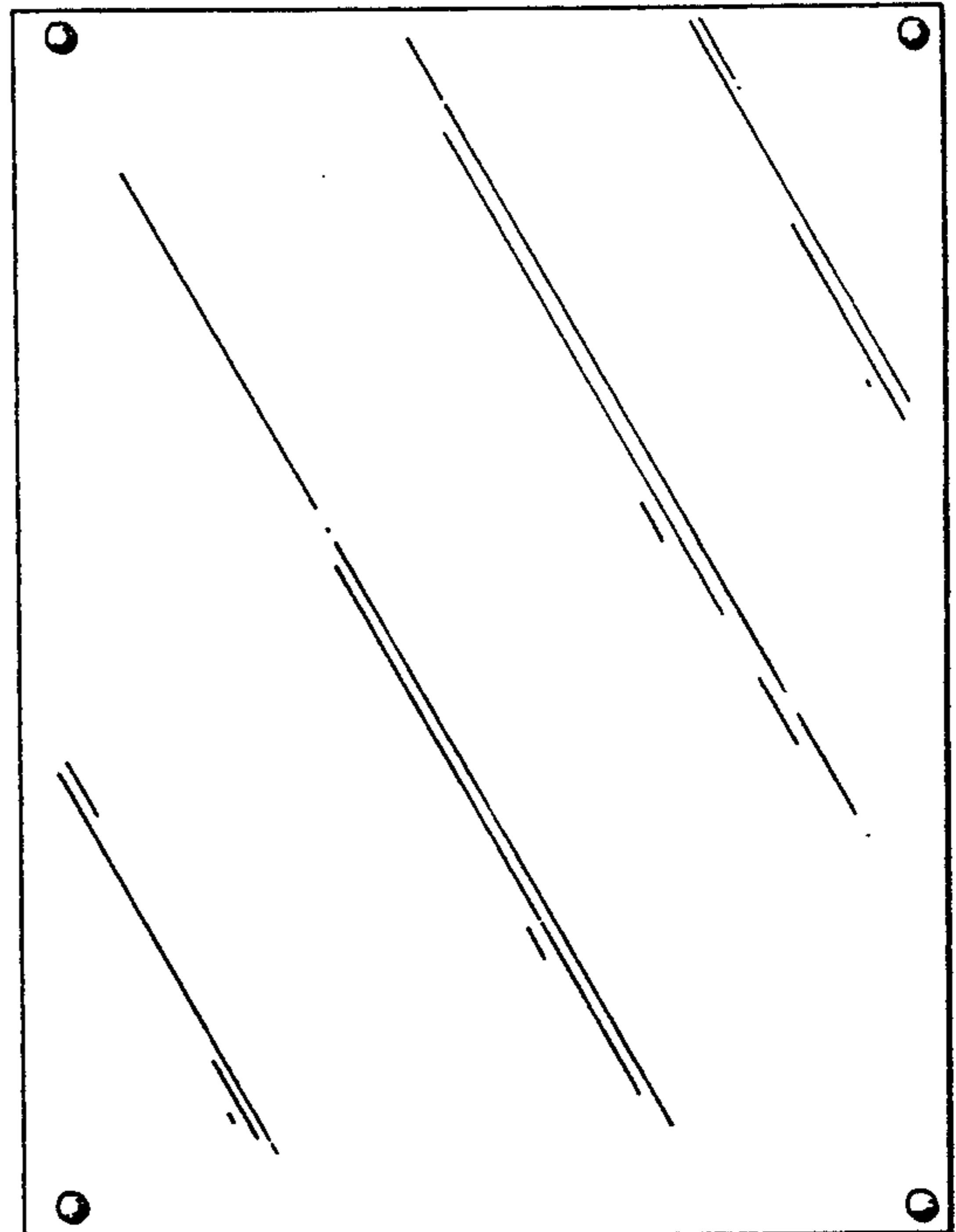


FIG. 4

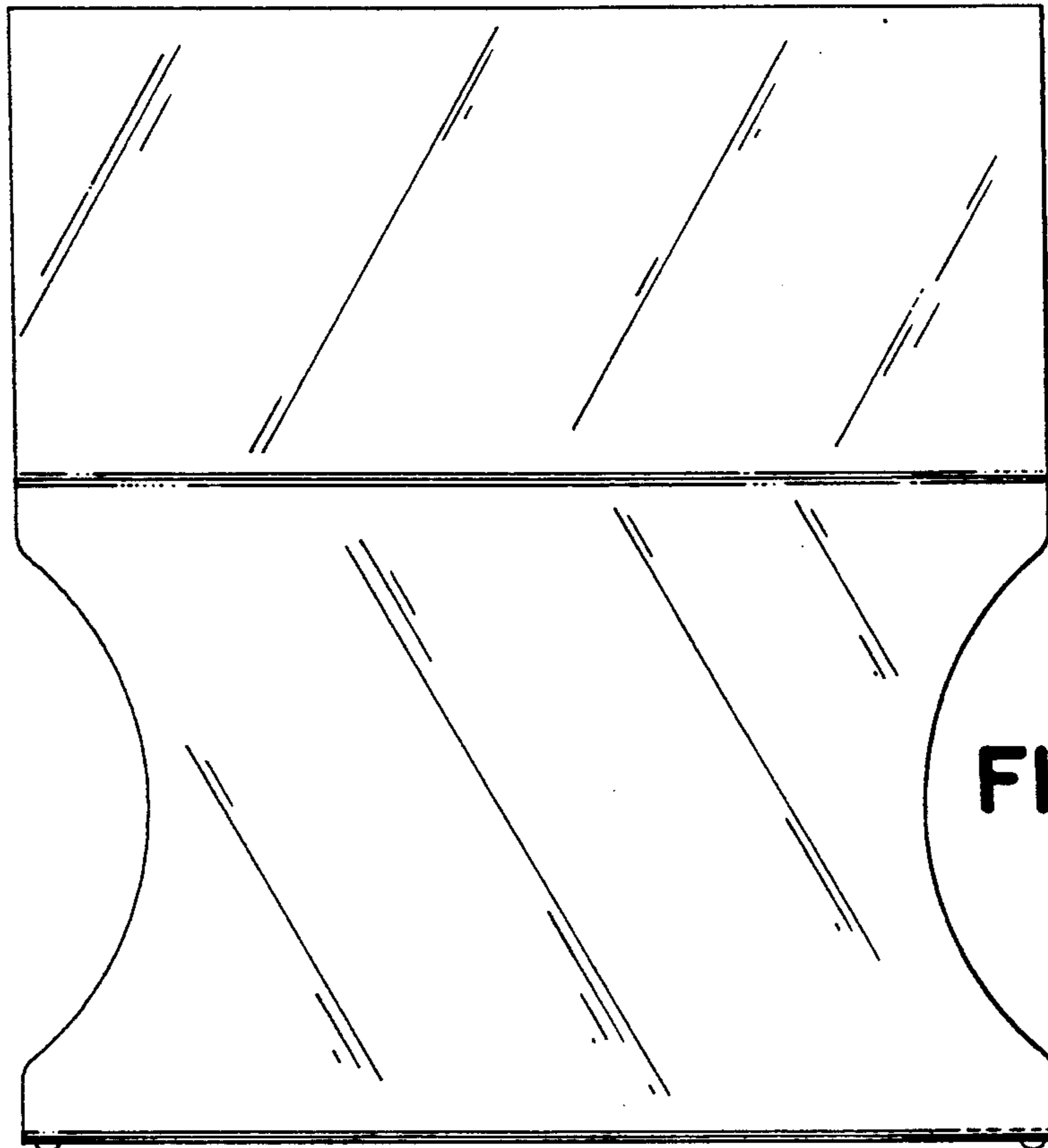


FIG. 5

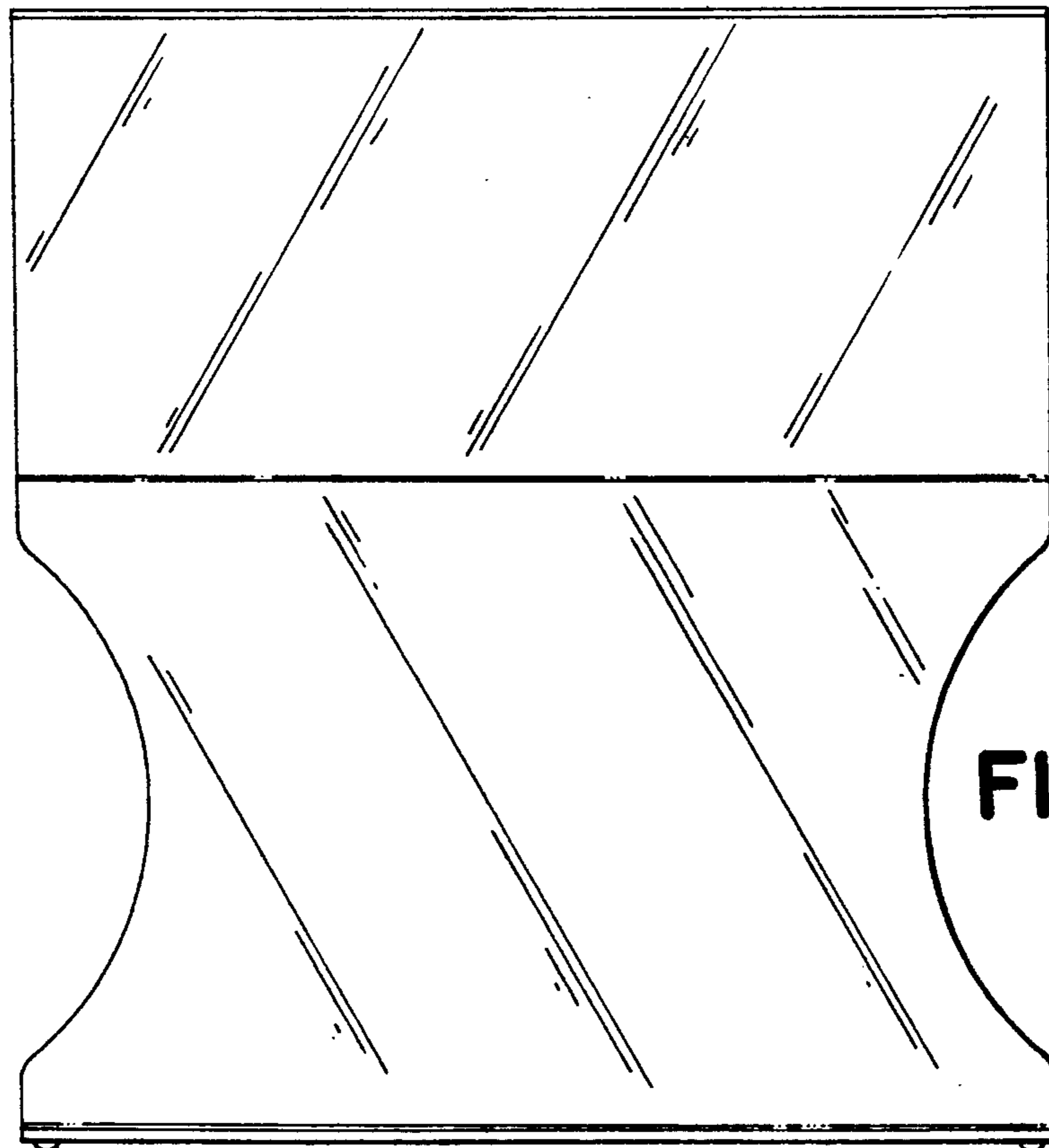


FIG. 6