



US00D325027S

United States Patent [19]

[11] Patent Number: **Des. 325,027**

Wallace et al.

[45] Date of Patent: **** Mar. 31, 1992**

[54] OPTICAL SCANNER

[56] References Cited

[75] Inventors: **Patrick Wallace, San Jose; Timothy Harrington, Los Gatos, both of Calif.**

U.S. PATENT DOCUMENTS

D. 305,228	12/1989	Allgeier	D14/107
D. 306,435	3/1990	Krichever et al.	D14/107
D. 314,951	2/1991	Swartz	D14/116 X
4,672,184	6/1987	Fujiwara et al.	250/568 X

[73] Assignee: **Symbol Technologies, Inc., Bohemia, N.Y.**

Primary Examiner—Wallace R. Burke
Assistant Examiner—Freda S. Nunn

[**] Term: **14 Years**

[57] CLAIM

The ornamental design for an optical scanner, as shown and described.

[21] Appl. No.: **487,701**

DESCRIPTION

[22] Filed: **Feb. 26, 1990**

FIG. 1 is a top front and left side perspective view of an optical scanner showing our new design;

[52] U.S. Cl. **D14/107; D14/116**

FIG. 2 is a top plan view thereof on an enlarged scale;

[58] Field of Search **D14/100, 105, 107, 114,**

FIG. 3 is a front elevational view thereof;

D14/116; D16/1, 2, 223, 27-32; D26/45, 50,

FIG. 4 is a right side elevational view thereof;

62; 235/454, 462, 470-473, 475, 479; 250/208,

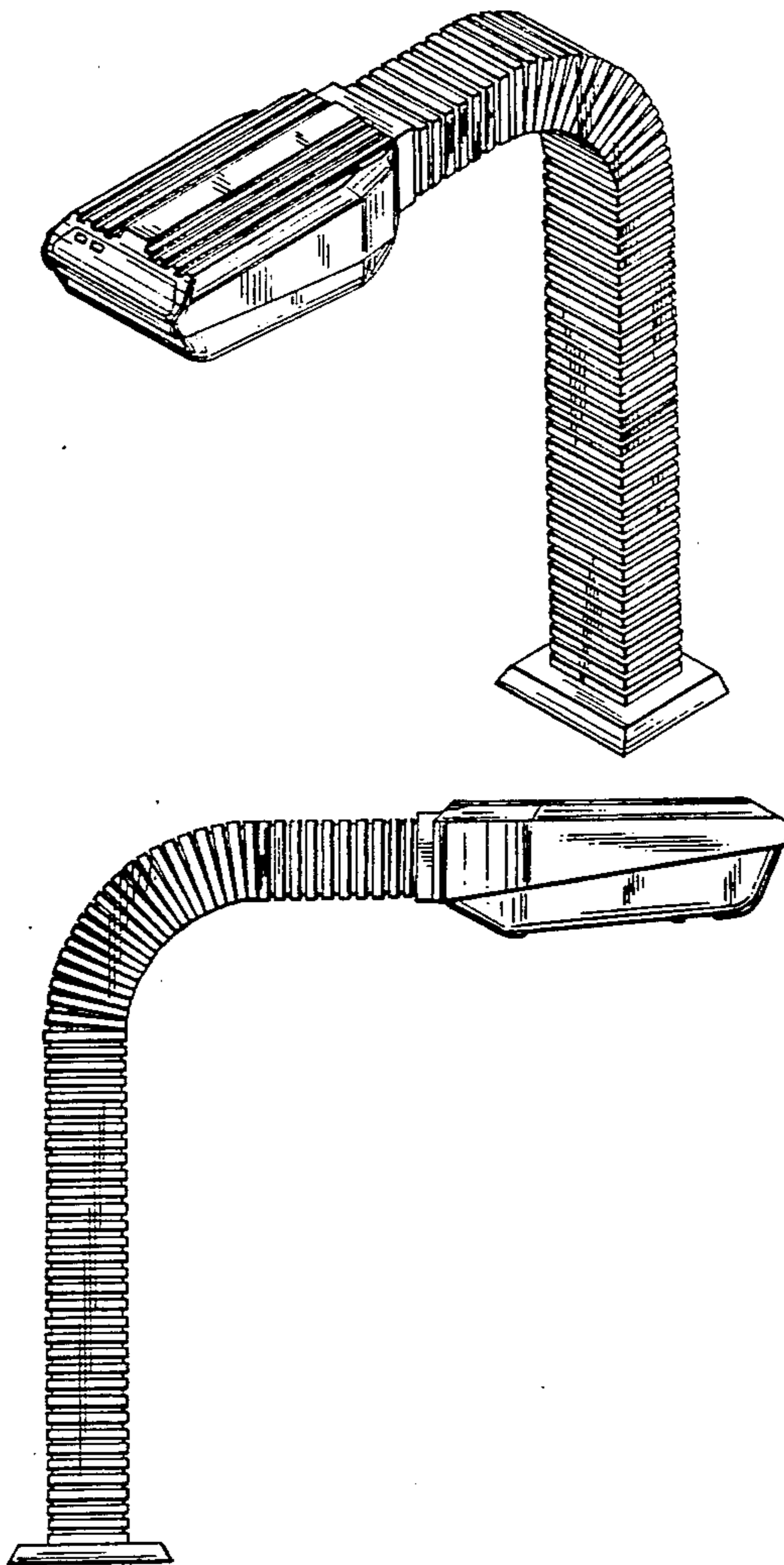
FIG. 5 is a rear elevational view thereof; and,

203 R, 566, 568, 239; 382/58, 59, 62, 63, 65;

FIG. 6 is a bottom plan view thereof.

355/231, 233; 354/80-82

The left side elevational view thereof is identical to the right side elevational view shown in FIG. 4.



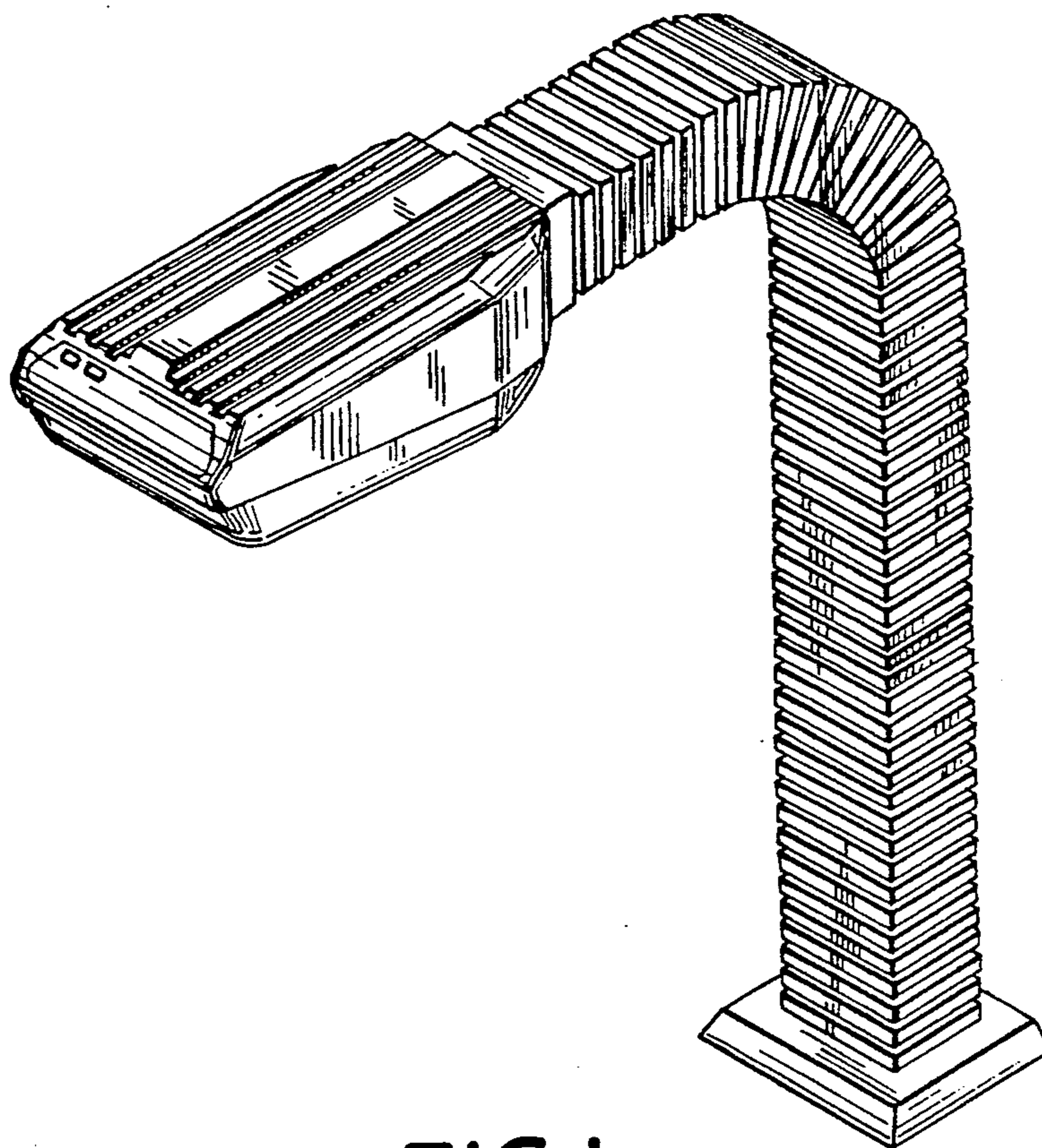


FIG. 1

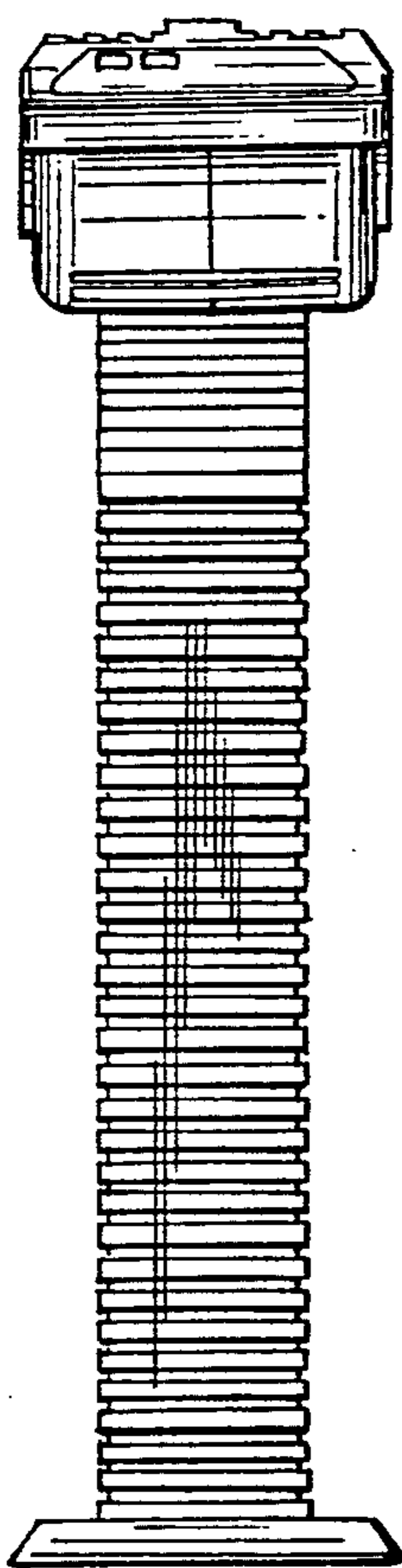


FIG. 3

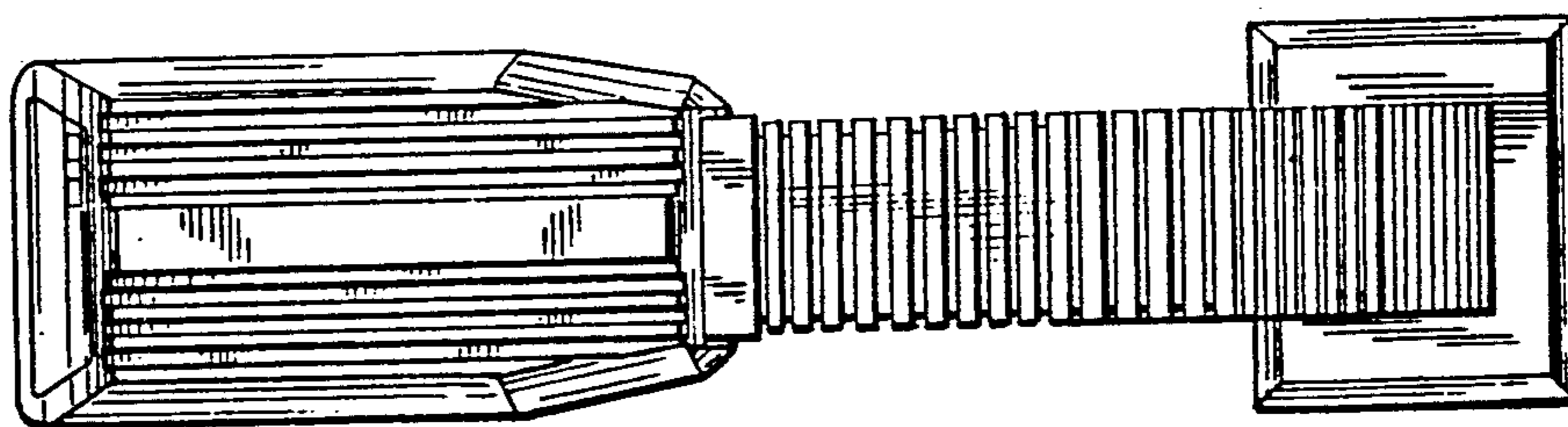


FIG. 2

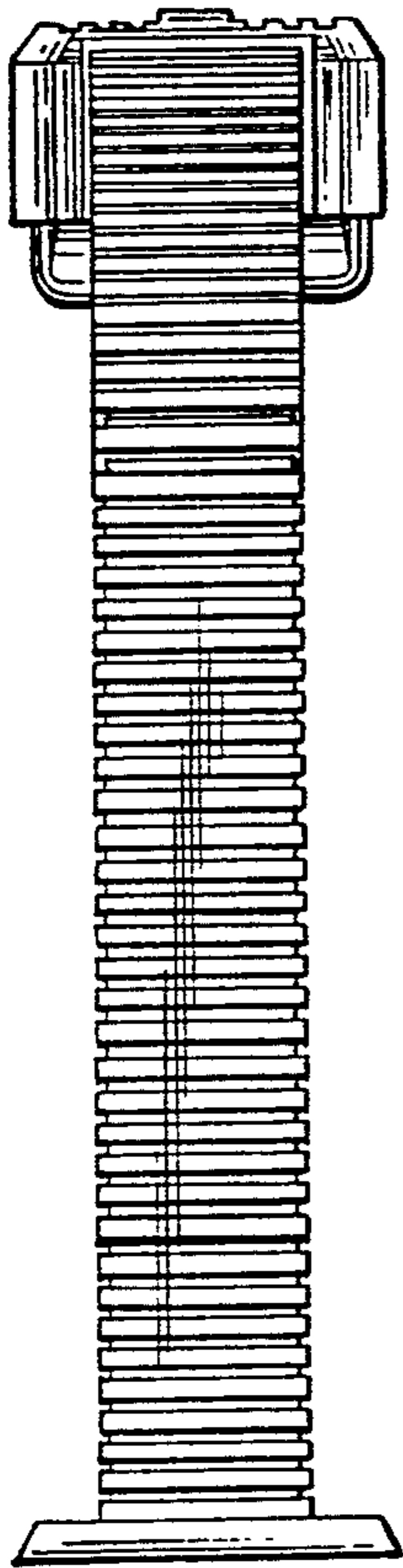


FIG. 5

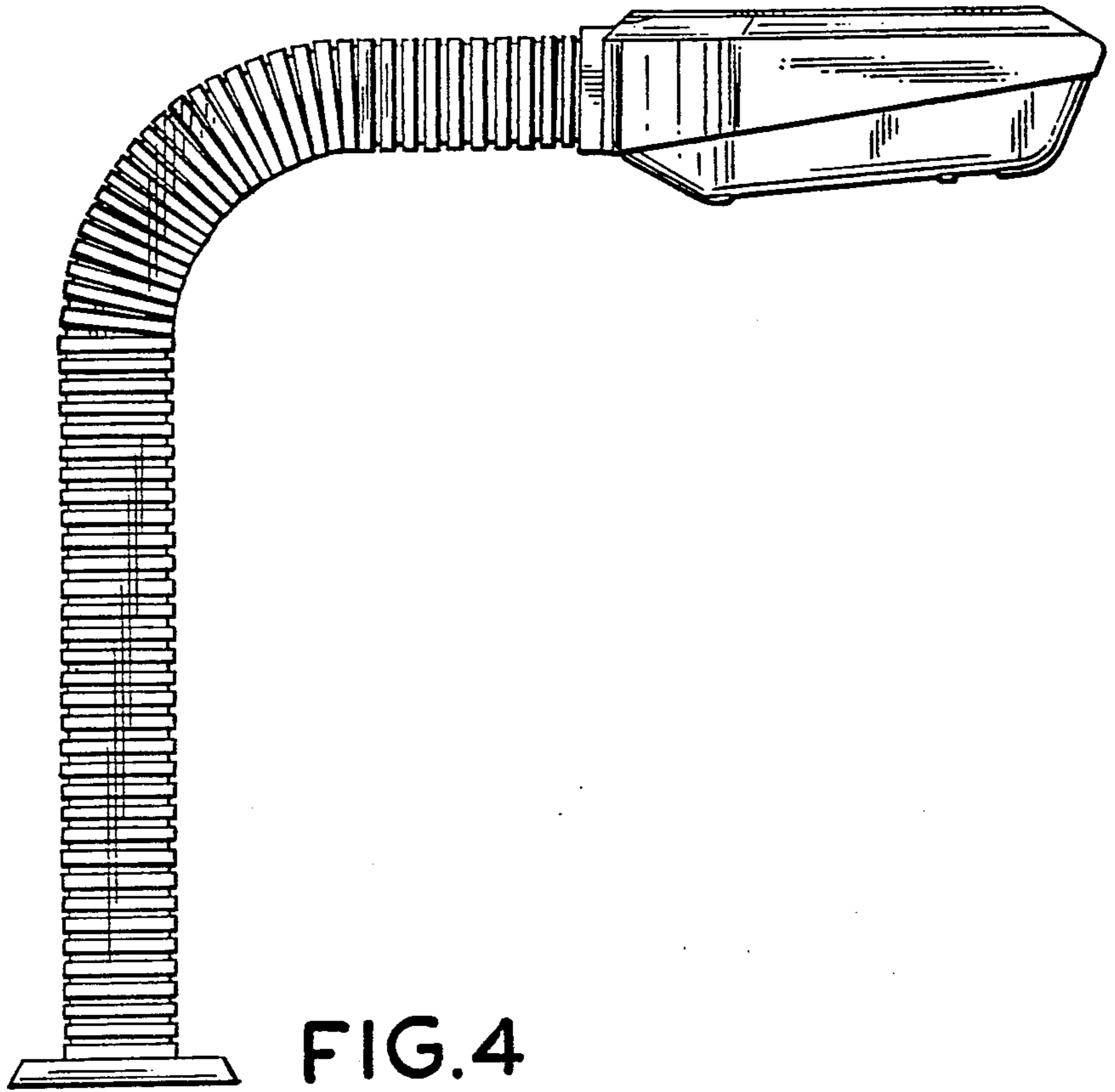


FIG. 4

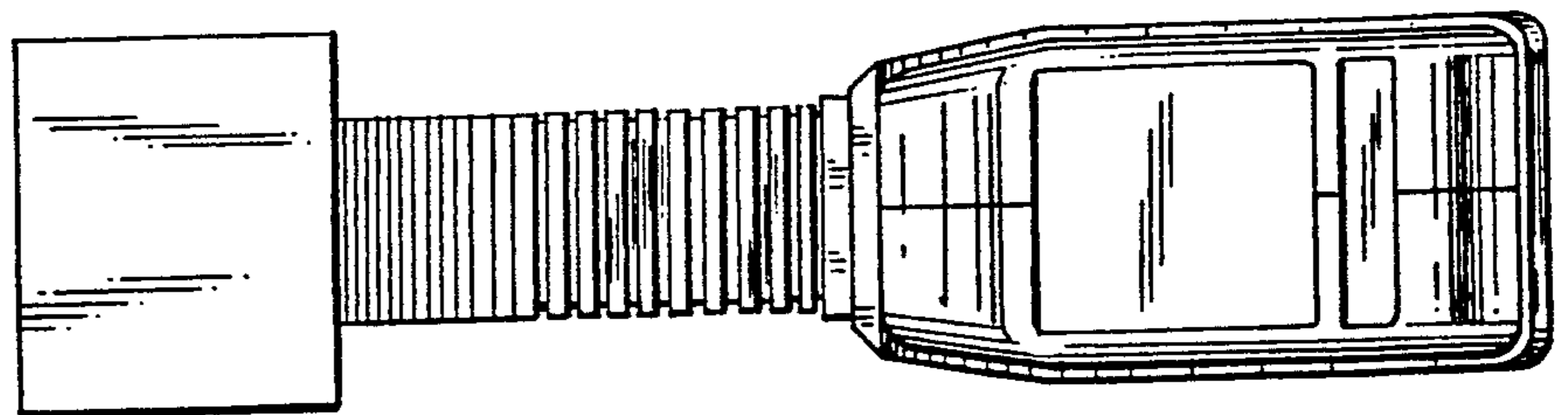


FIG. 6