



US00D325025S

# United States Patent [19]

Sueyoshi et al.

[11] Patent Number: **Des. 325,025**

[45] Date of Patent: **\*\* Mar. 31, 1992**

[54] **ELECTRICAL CONNECTOR HOUSING**

4,721,482 1/1988 Fukuda et al. .... 439/586 X  
4,963,106 10/1990 Wendling et al. .... 439/595

[75] Inventors: **Tadahiro Sueyoshi; Masanori Tsuji; Yoshihiro Murakami; Takayuki Yamamoto; Masaru Fukuda**, all of Shizuoka; **Hidetaka Okabe**, Toyota; **Yasuhiro Nagasaka**, Toyota; **Yasuo Hirayama**, Toyota, all of Japan

*Primary Examiner*—Susan J. Lucas  
*Assistant Examiner*—J. Sincavage

[57] **CLAIM**

The ornamental design for an electrical connector housing, as shown and described.

[73] Assignees: **Yazaki Corporation**, Tokyo; **Toyota Jidosha Kabushiki Kaisha**, Toyota, both of Japan

**DESCRIPTION**

[\*\*] Term: **14 Years**

FIG. 1 is a top plan view of an electrical connector housing showing our new design; FIG. 2 is a front elevational view thereof; FIG. 3 is a bottom plan view thereof; FIG. 4 is a left side elevational view thereof, the right side elevational view thereof being a mirror image; FIG. 5 is a rear elevational view thereof; FIG. 6 is a cross-sectional view thereof taken along line 6—6 of FIG. 2; FIG. 7 is a cross-sectional view thereof taken along line 7—7 of FIG. 2; FIG. 8 is a cross-sectional view thereof taken along line 8—8 of FIG. 2; FIG. 9 is a rear and upper left perspective view thereof in the open position; and, FIG. 10 is a cross-sectional view thereof taken along line 6—6 of FIG. 2 showing the housing in an intended use. The broken line showing of the conductors, terminals and corresponding connector housing is included for the purpose of illustrating environmental elements only and forms no part of the claimed design.

[21] Appl. No.: **470,565**

[22] Filed: **Jan. 25, 1990**

[30] **Foreign Application Priority Data**

Jul. 31, 1989 [JP] Japan ..... 1-28082

[52] U.S. Cl. .... **D13/147**

[58] Field of Search ..... D13/133, 146, 147;  
439/248, 345, 350, 352, 353, 358, 544, 586, 587,  
595, 596, 598, 600, 682, 752

[56] **References Cited**

**U.S. PATENT DOCUMENTS**

2,878,456 3/1959 Cormier ..... 439/142  
4,017,141 4/1977 Bury et al. .... 439/596  
4,076,364 2/1978 Kuo ..... 439/487 X  
4,679,874 7/1987 Saijo et al. .... 439/595

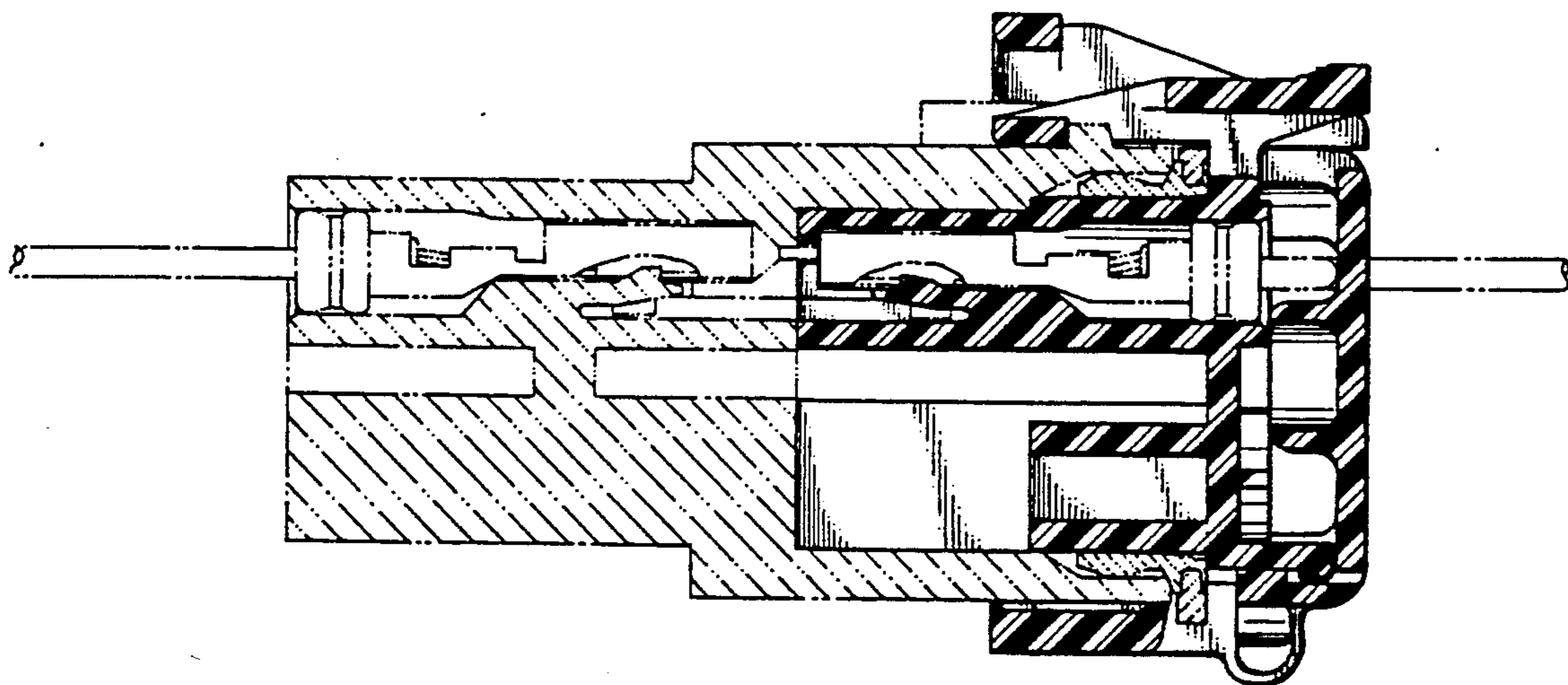


FIG. 1

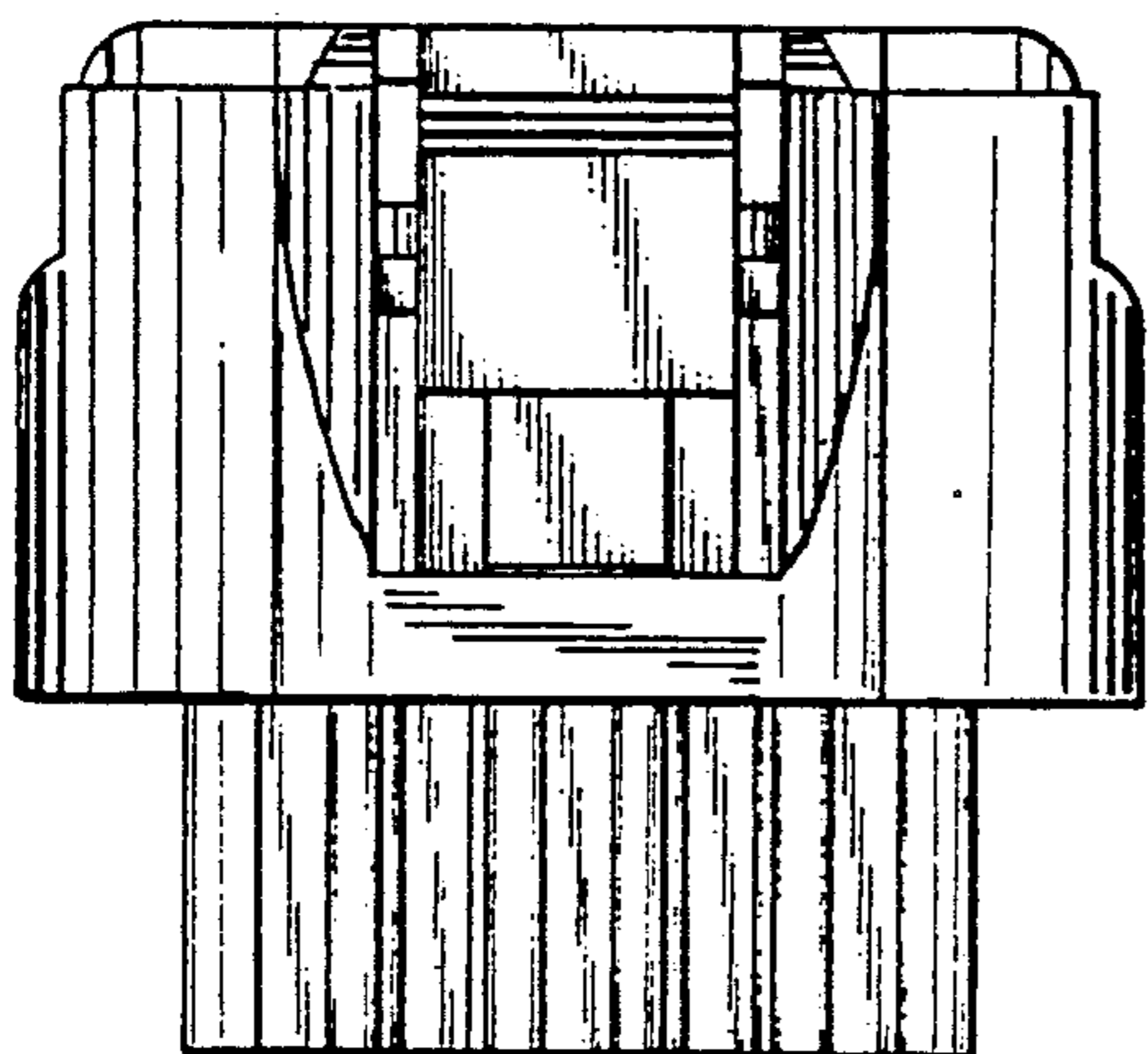


FIG. 2

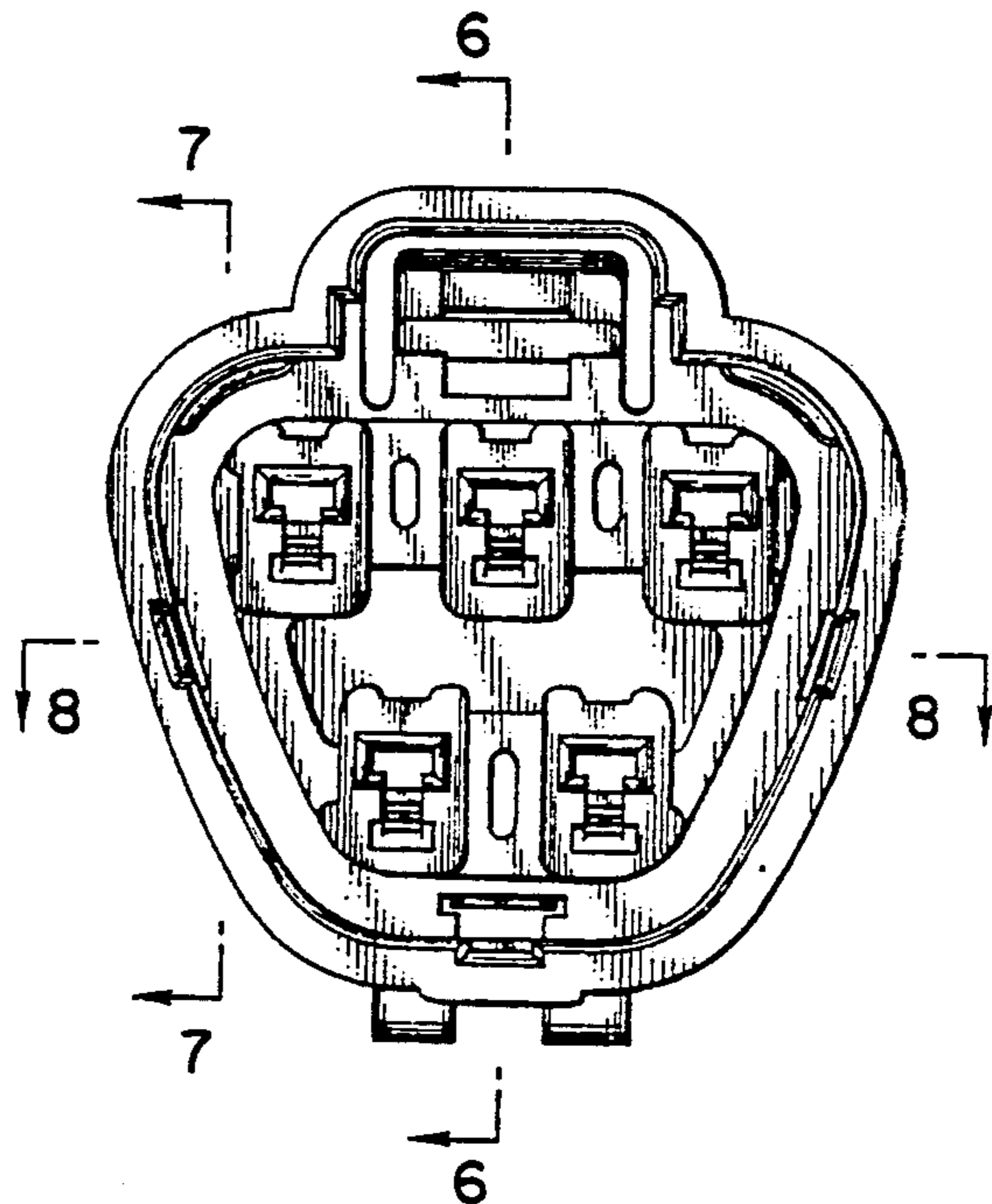


FIG. 3

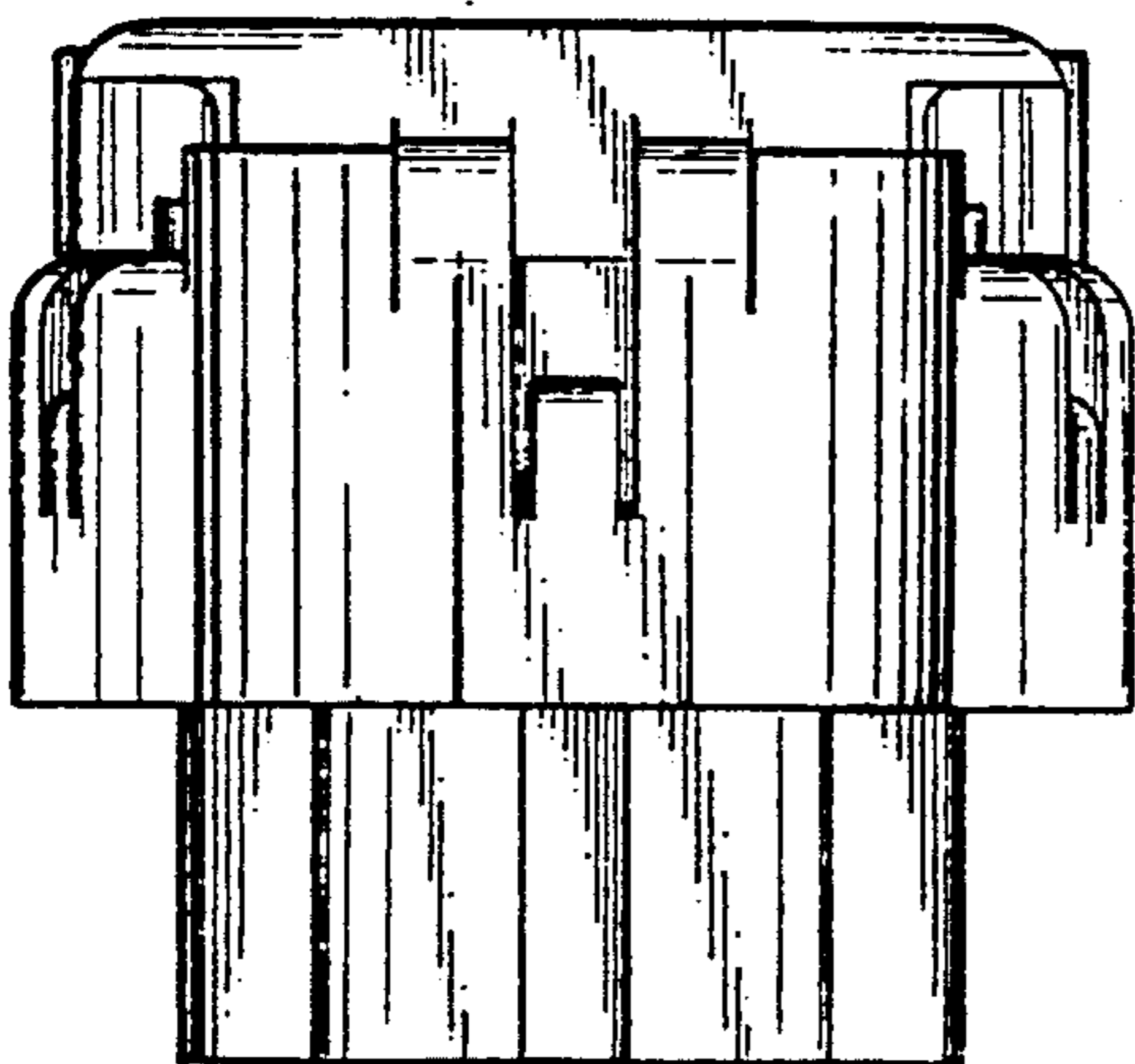


FIG. 4

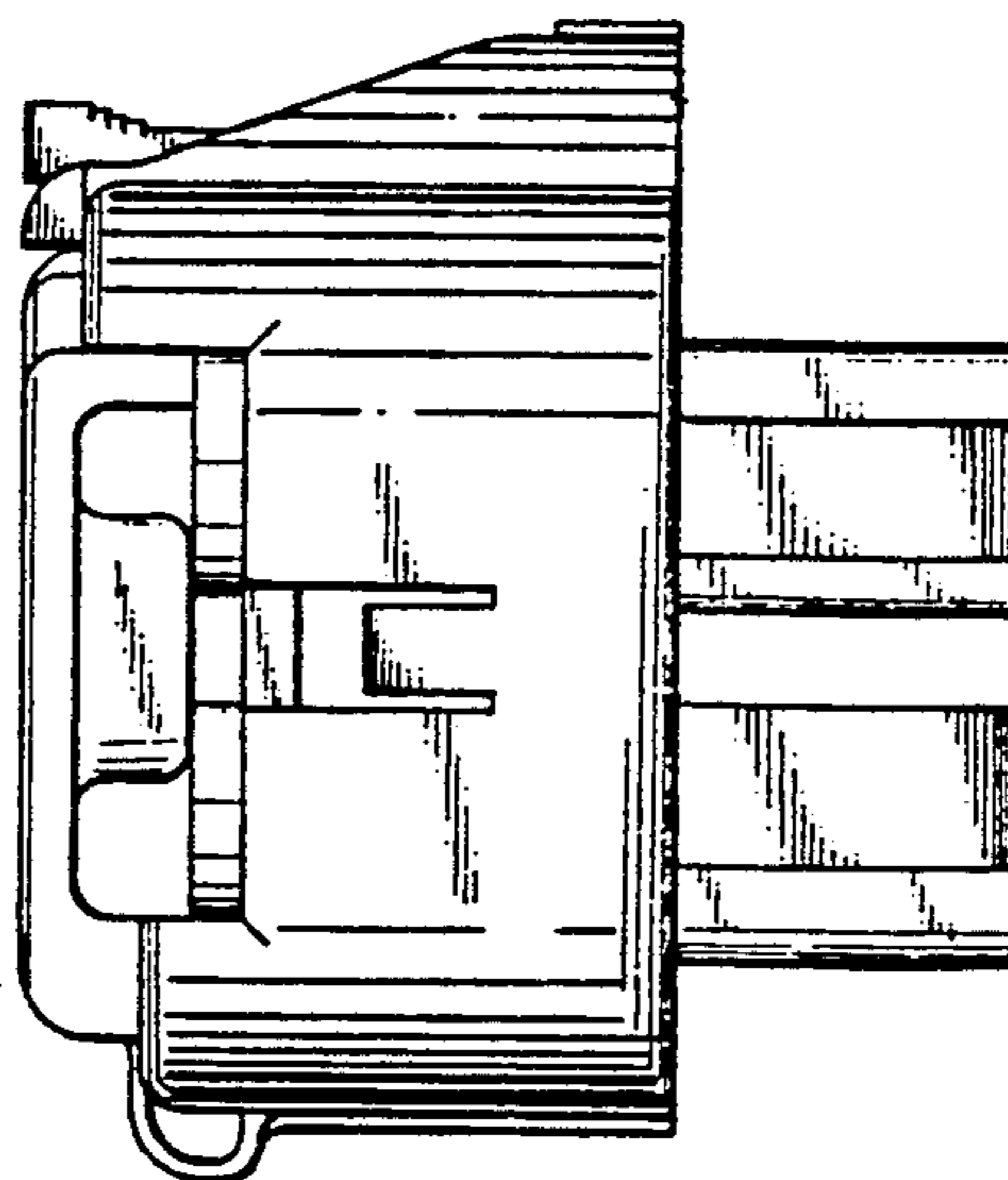


FIG. 5

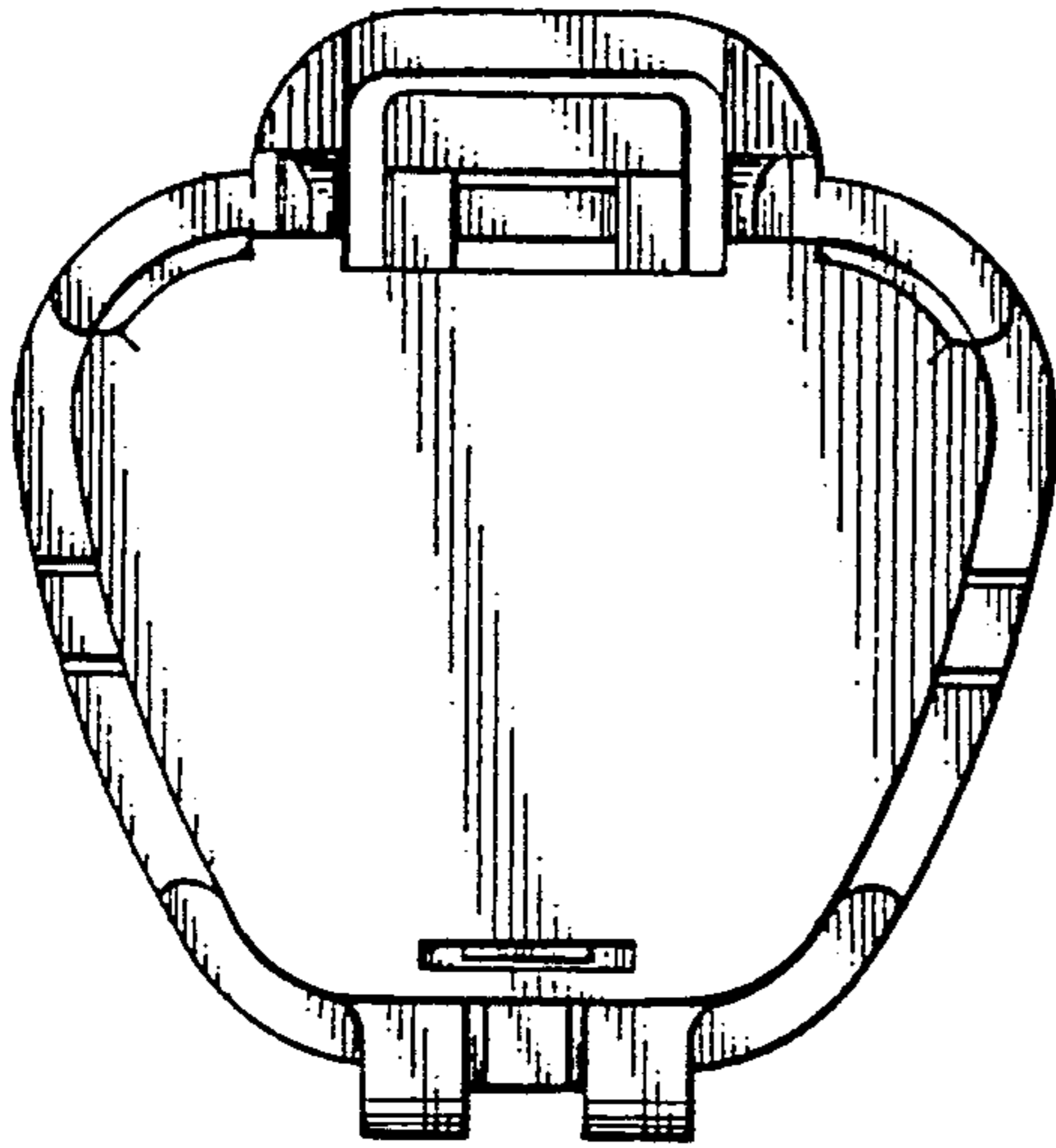


FIG. 6

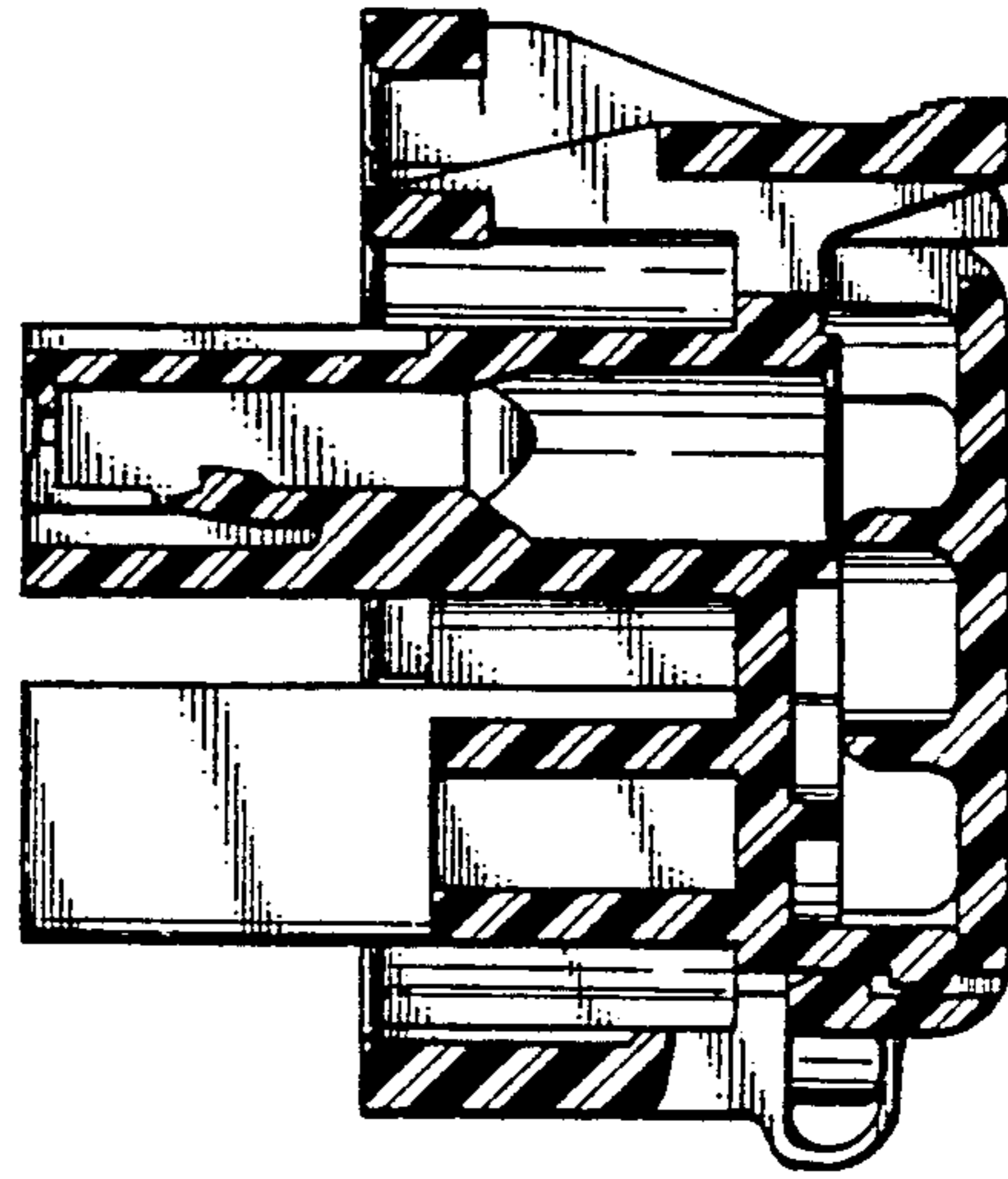


FIG. 7

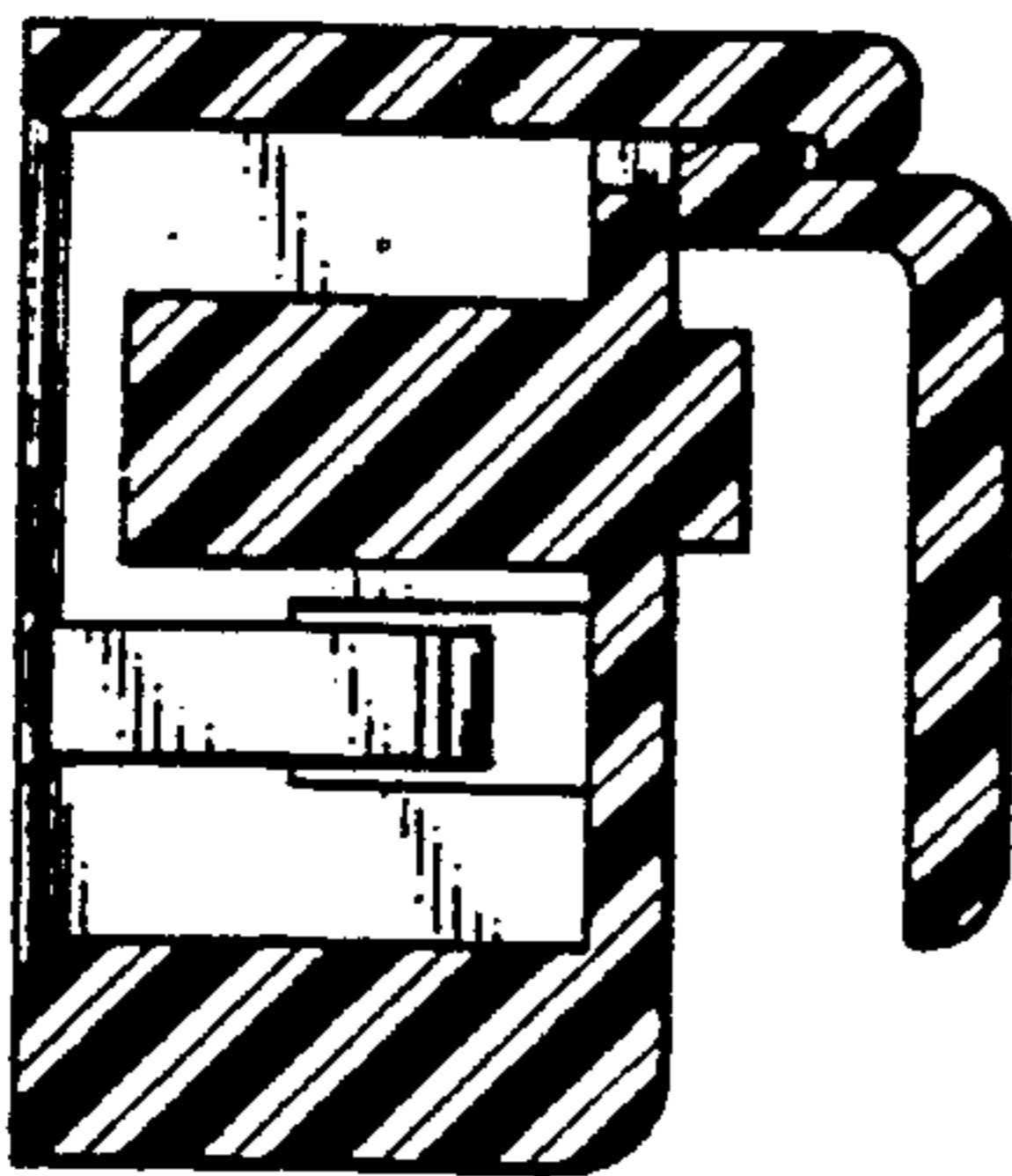
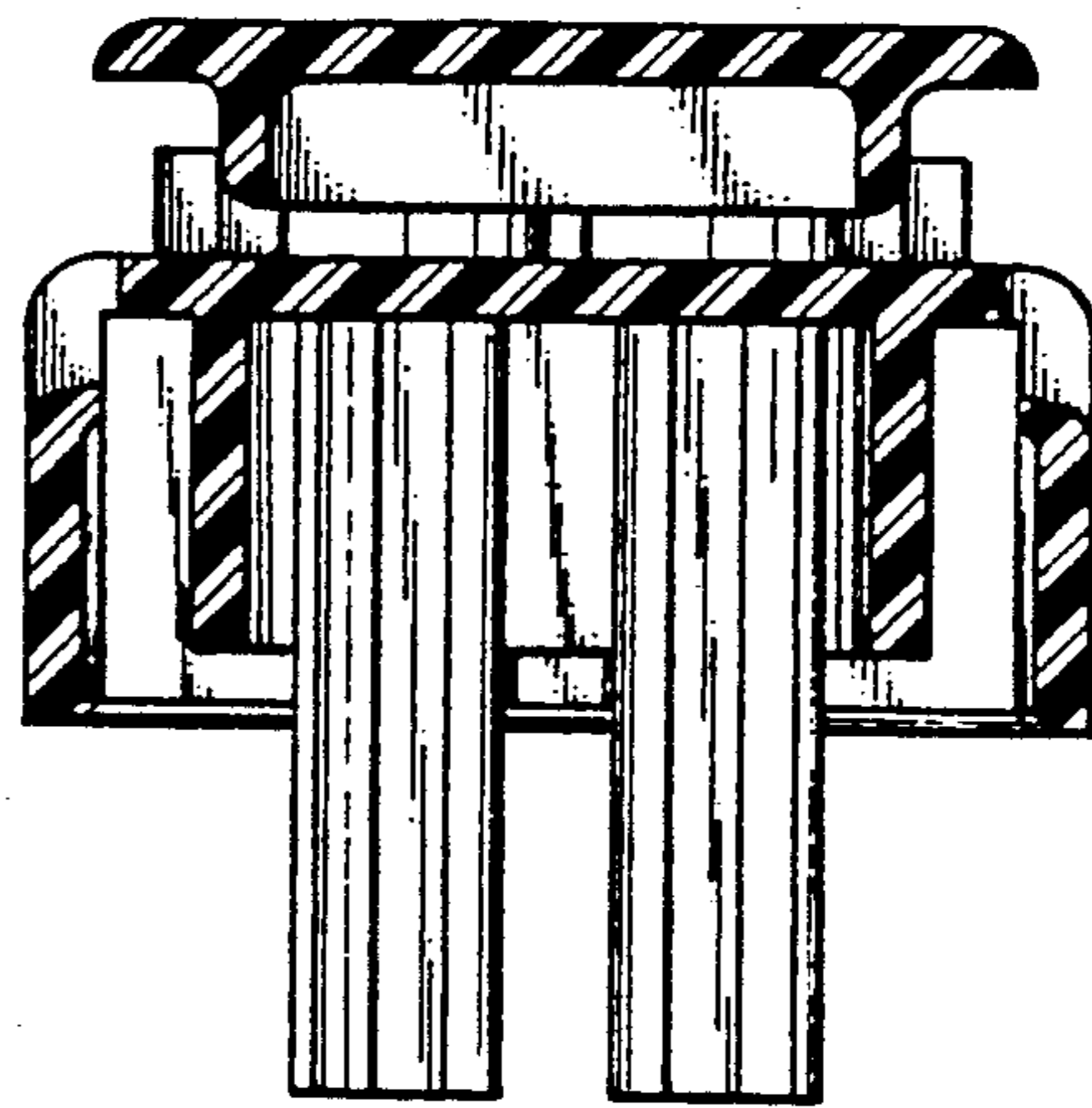
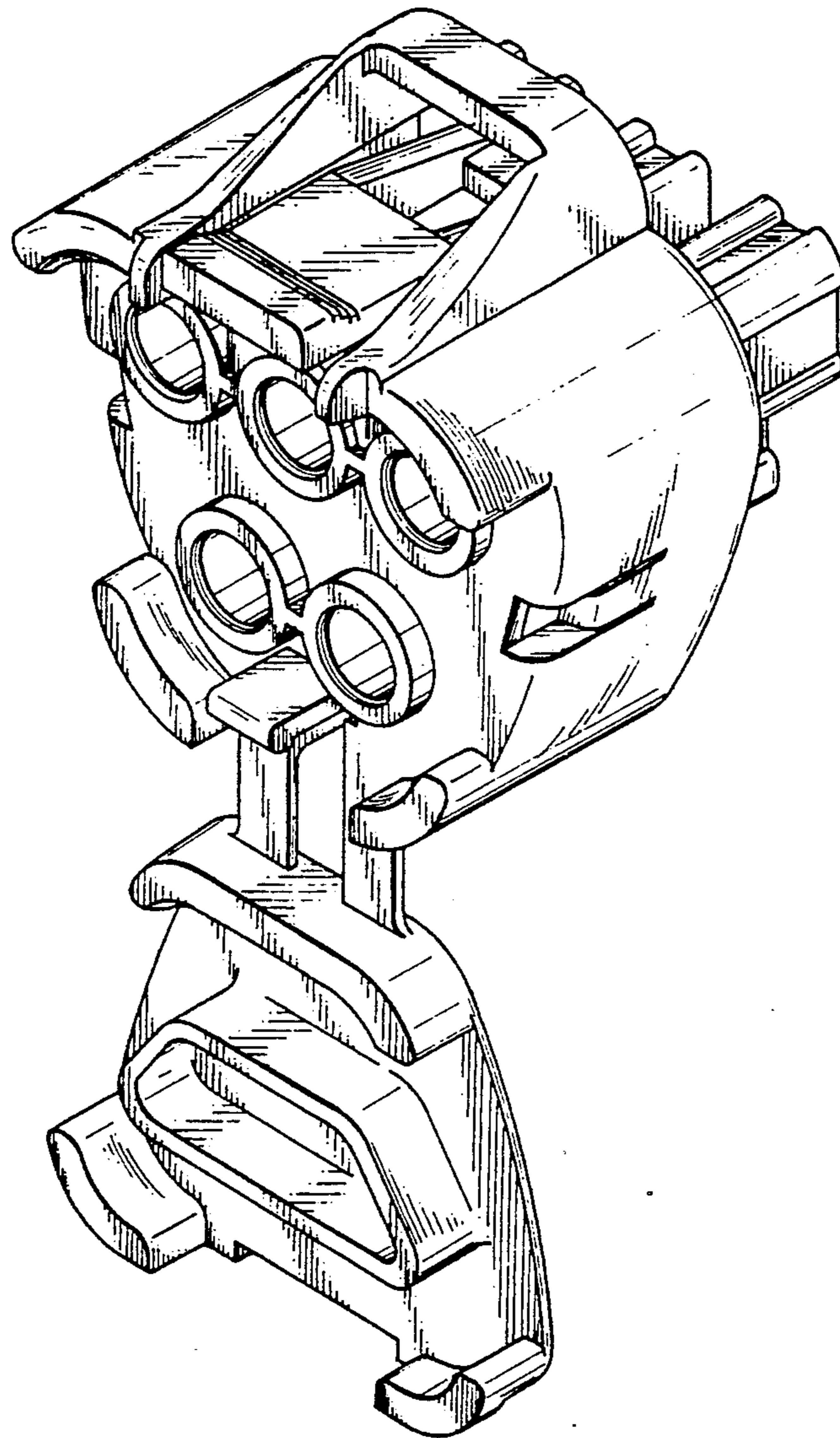


FIG. 8



F I G . 9



F I G . 10

