



US00D325024S

United States Patent [19]

[11] Patent Number: **Des. 325,024**

Suzuki et al.

[45] Date of Patent: **** Mar. 31, 1992**

[54] **HOUSING FOR AN ELECTRICAL CONNECTOR**

[75] Inventors: **Masaji Suzuki, Tsu; Shoichi Sugata, Suzuka; Kiyofumi Ichida, Ichishi, all of Japan**

[73] Assignee: **Sumitomo Wiring Systems, Ltd., Yokkaichi, Japan**

[**] Term: **14 Years**

[21] Appl. No.: **414,072**

[22] Filed: **Sep. 28, 1989**

[30] **Foreign Application Priority Data**

Mar. 31, 1989 [JP] Japan 1-11933

[52] U.S. Cl. **D13/133**

[58] Field of Search **D13/133, 146, 147; 439/271, 275, 279, 282, 293, 297, 350, 352, 353, 357, 358, 571, 586, 587, 589, 595, 596, 598, 600, 680, 682, 685, 686, 687, 695, 701, 724, 744, 748, 752**

[56] **References Cited**

U.S. PATENT DOCUMENTS

4,017,141	4/1977	Bury et al.	439/596
4,455,056	6/1984	Herrmann, Jr. et al.	439/284 X
4,674,814	6/1987	Hoshino et al.	439/586
4,710,135	12/1987	Aoyama et al.	439/598 X
4,711,508	12/1987	Sueyoshi	439/595
4,749,372	6/1988	Betsui	439/587
4,946,404	8/1990	Takenouchi et al.	439/352
4,961,713	10/1990	McCracken et al.	439/587

Primary Examiner—Susan J. Lucas

Assistant Examiner—J. Sincavage
Attorney, Agent, or Firm—Nils H. Ljungman & Associates

[57] **CLAIM**

The ornamental design for a housing for an electrical connector, as shown and described.

DESCRIPTION

FIG. 1 is a front and upper right perspective view of a housing for an electrical connector showing our new design;

FIG. 2 is a top plan view thereof;

FIG. 3 is a front elevational view thereof;

FIG. 4 is a bottom plan view thereof;

FIG. 5 is a right side elevational view thereof, the left side elevational view thereof being a mirror image;

FIG. 6 is a rear elevational view thereof;

FIG. 7 is a cross-sectional view thereof taken along line 7—7 of FIG. 3;

FIG. 8 is a front and upper right perspective view of a housing for an electrical connector showing a second embodiment of our new design;

FIG. 9 is a top plan view thereof;

FIG. 10 is a front elevational view thereof;

FIG. 11 is a bottom plan view thereof;

FIG. 12 is a right side elevational view thereof, the left side elevational view thereof being a mirror image;

FIG. 13 is a rear elevational view thereof; and,

FIG. 14 is a cross-sectional view thereof taken along line 14—14 of FIG. 10.

The broken line showing of the aperatures on the front and rear is included for the purpose of illustrating environmental elements only and forms no part of the claimed design.

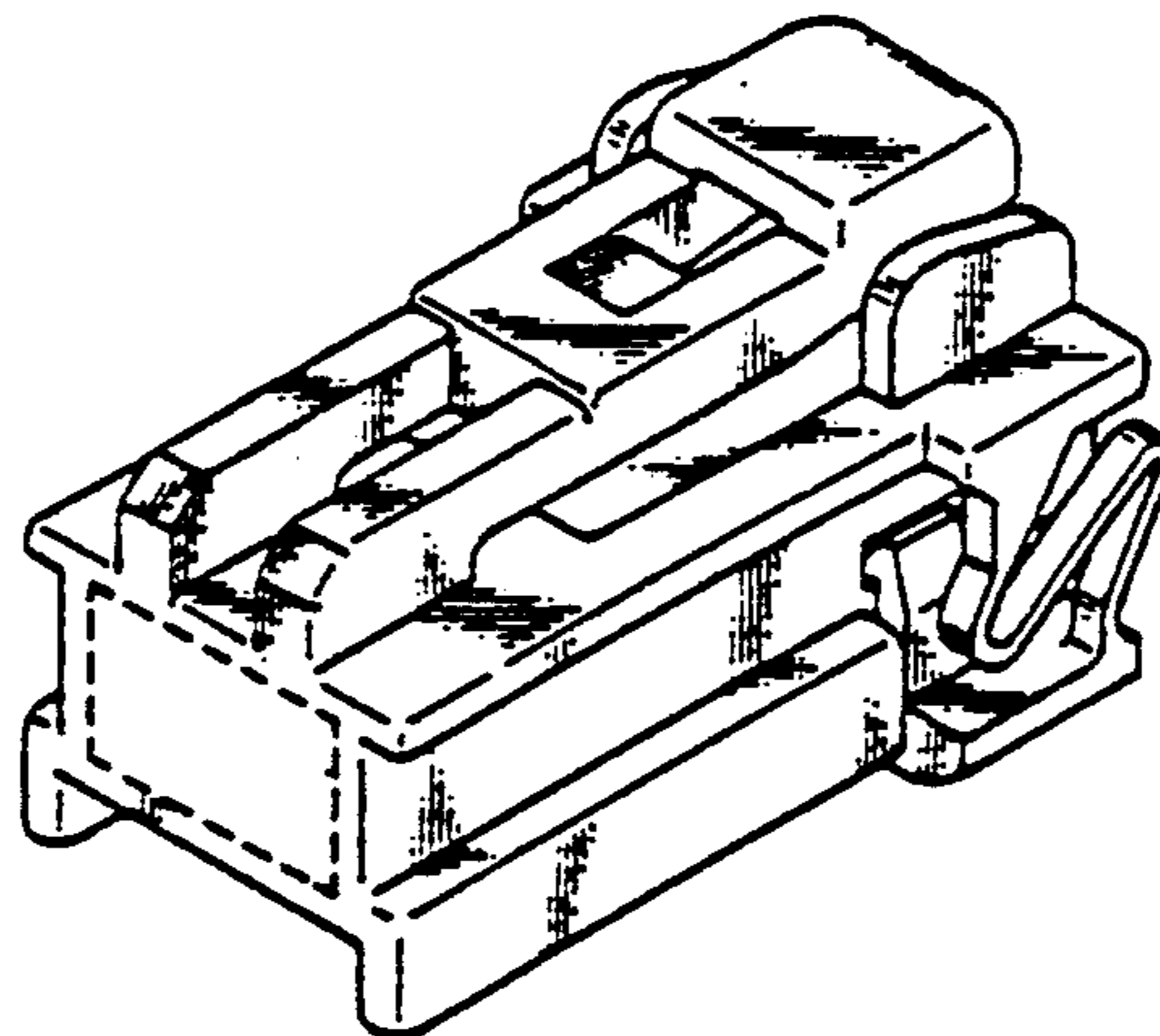


FIG. 2

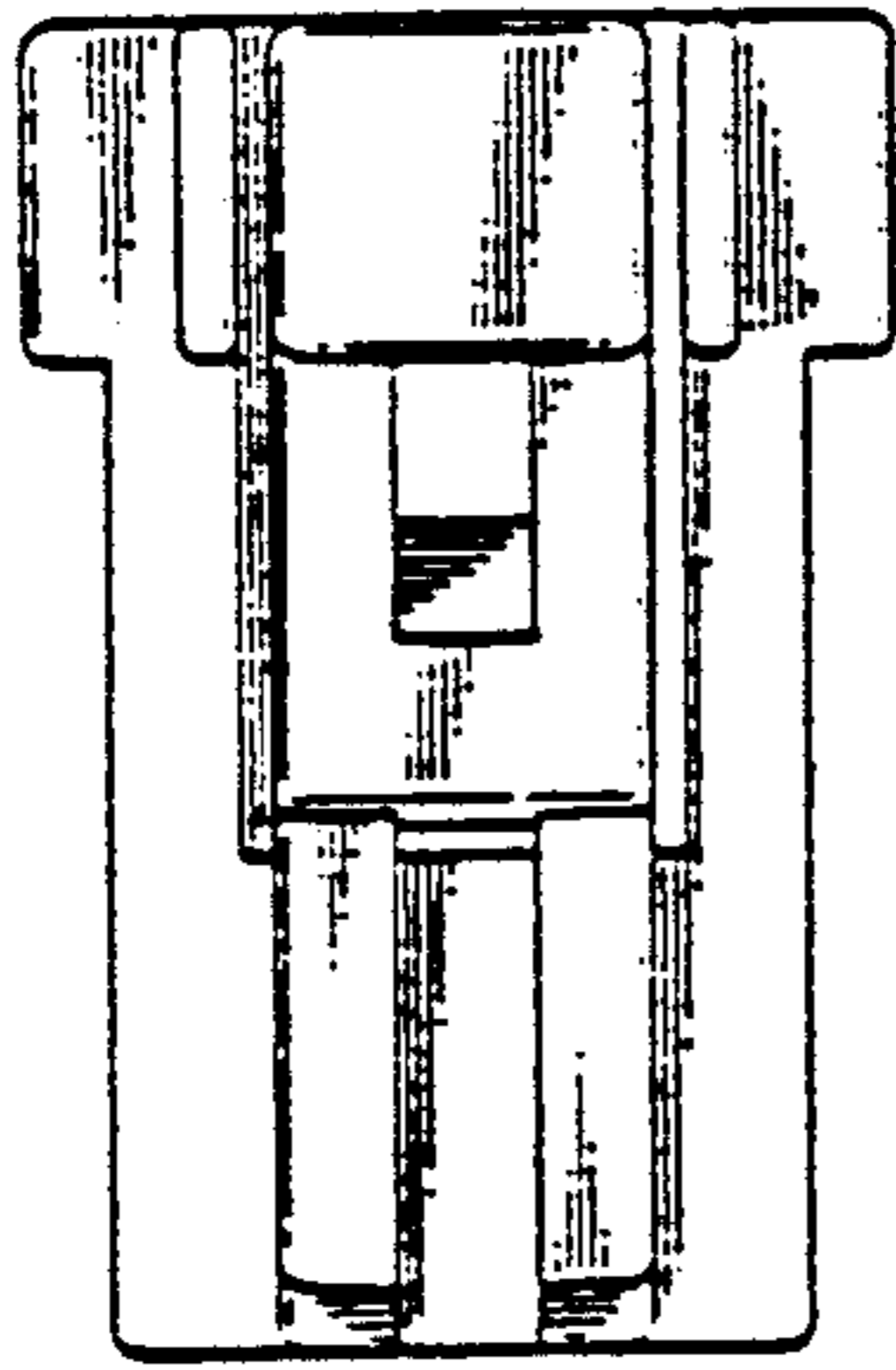


FIG. 1

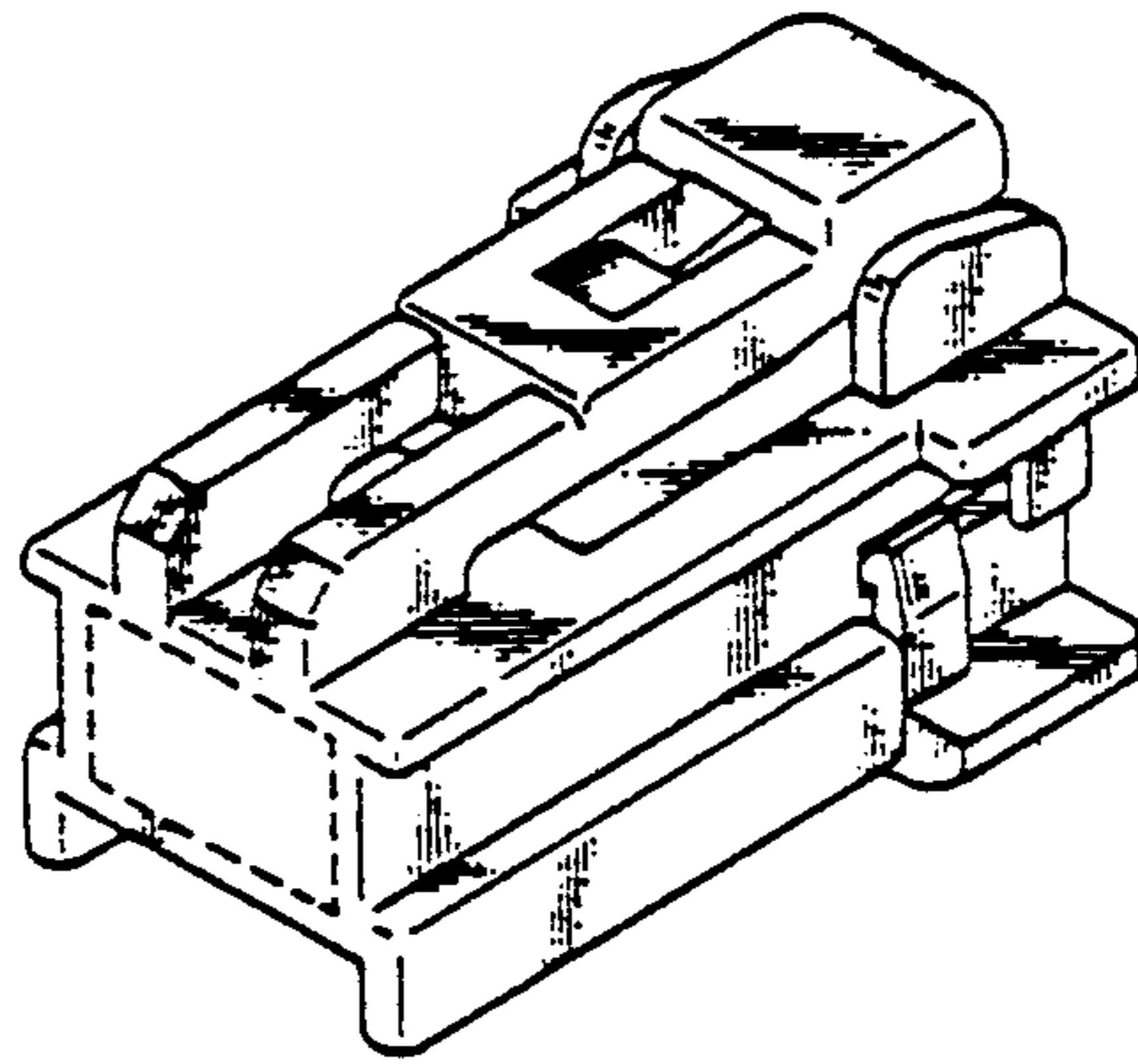


FIG. 3

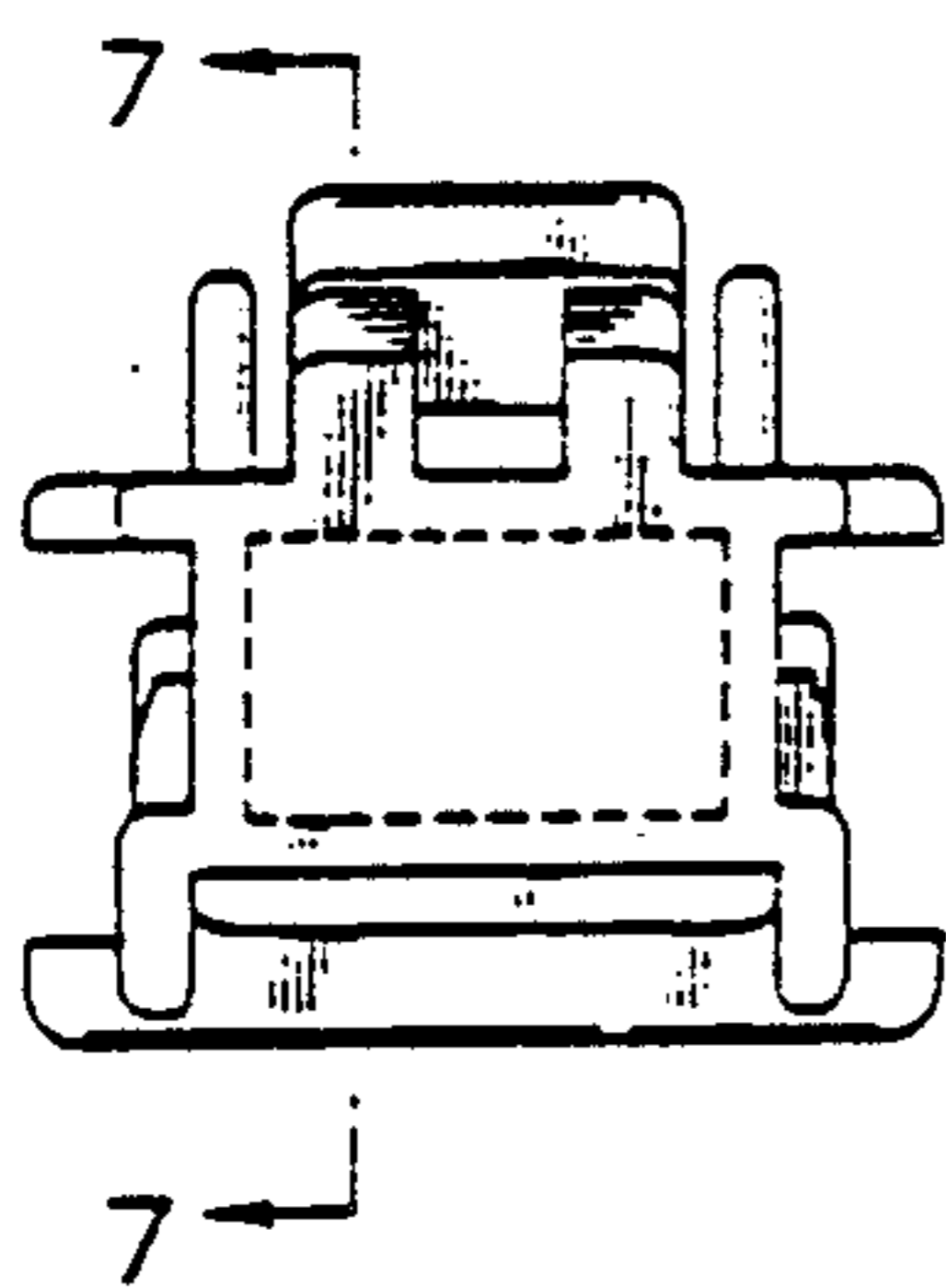


FIG. 5

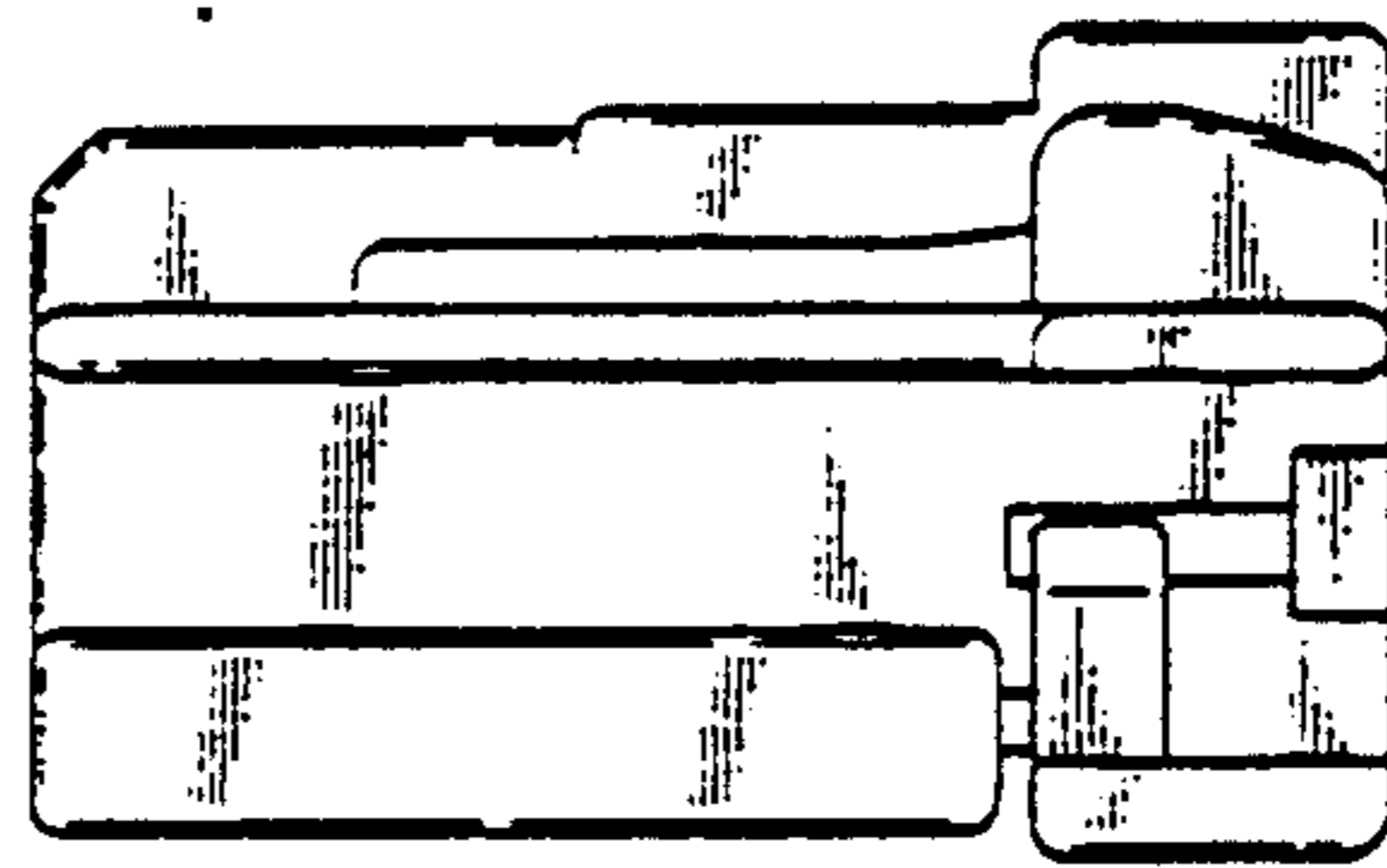


FIG. 4

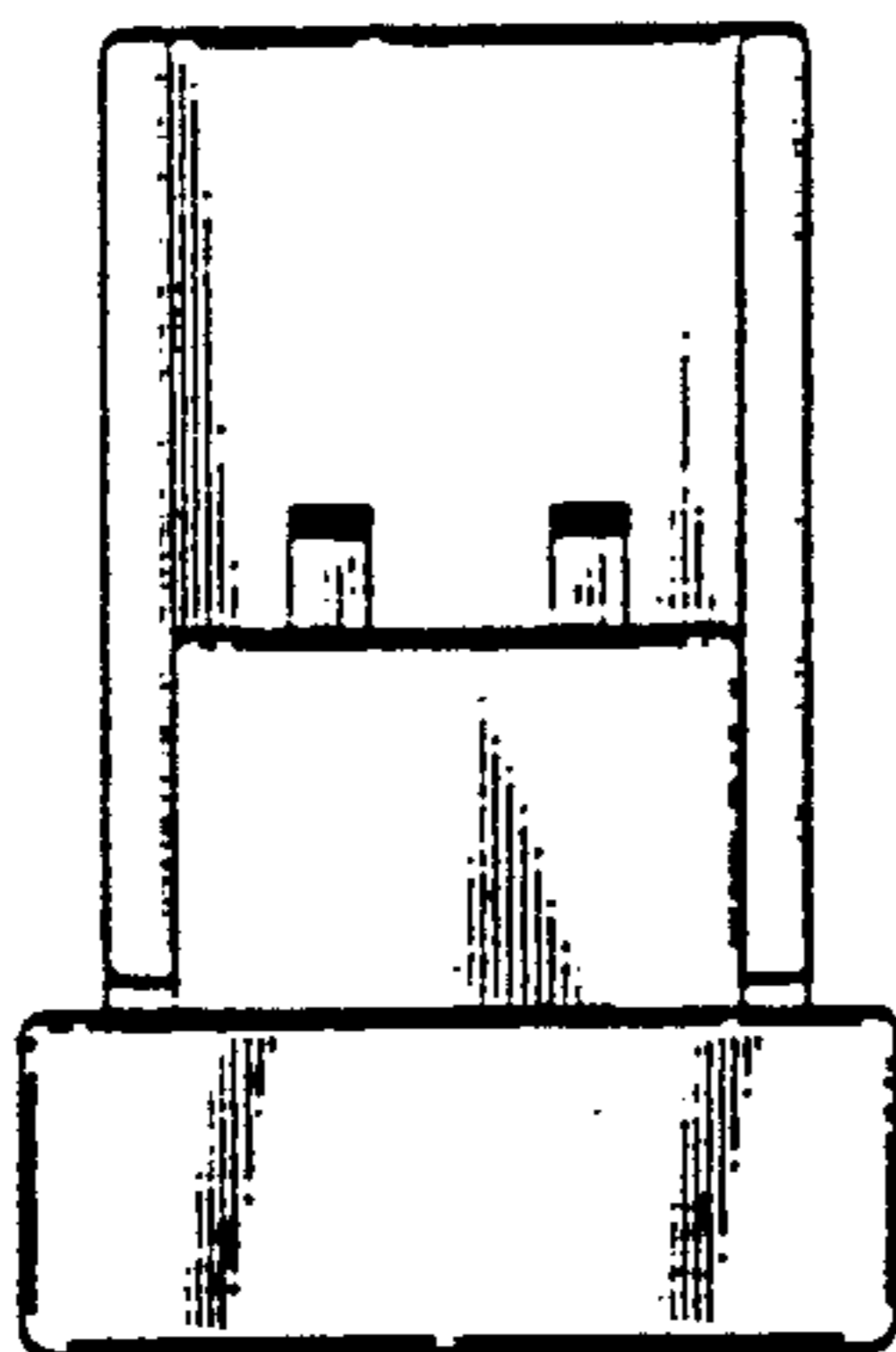


FIG. 6

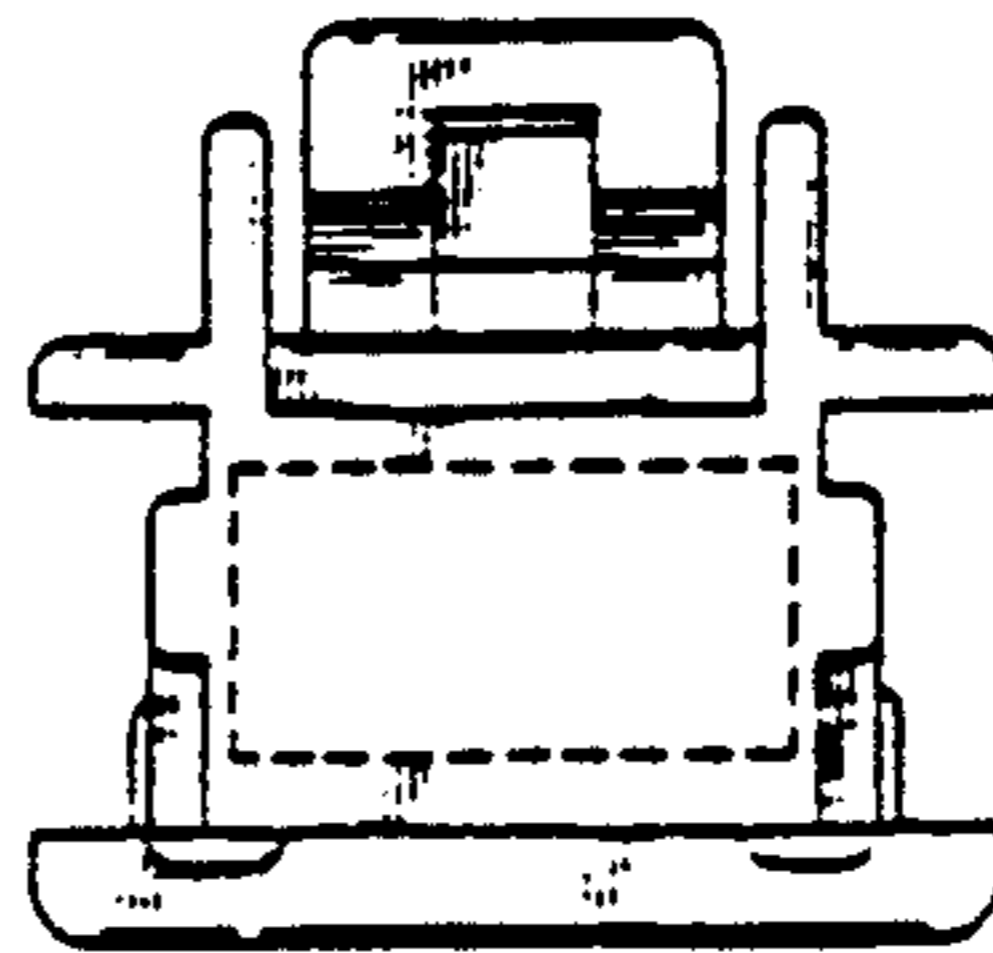


FIG. 7

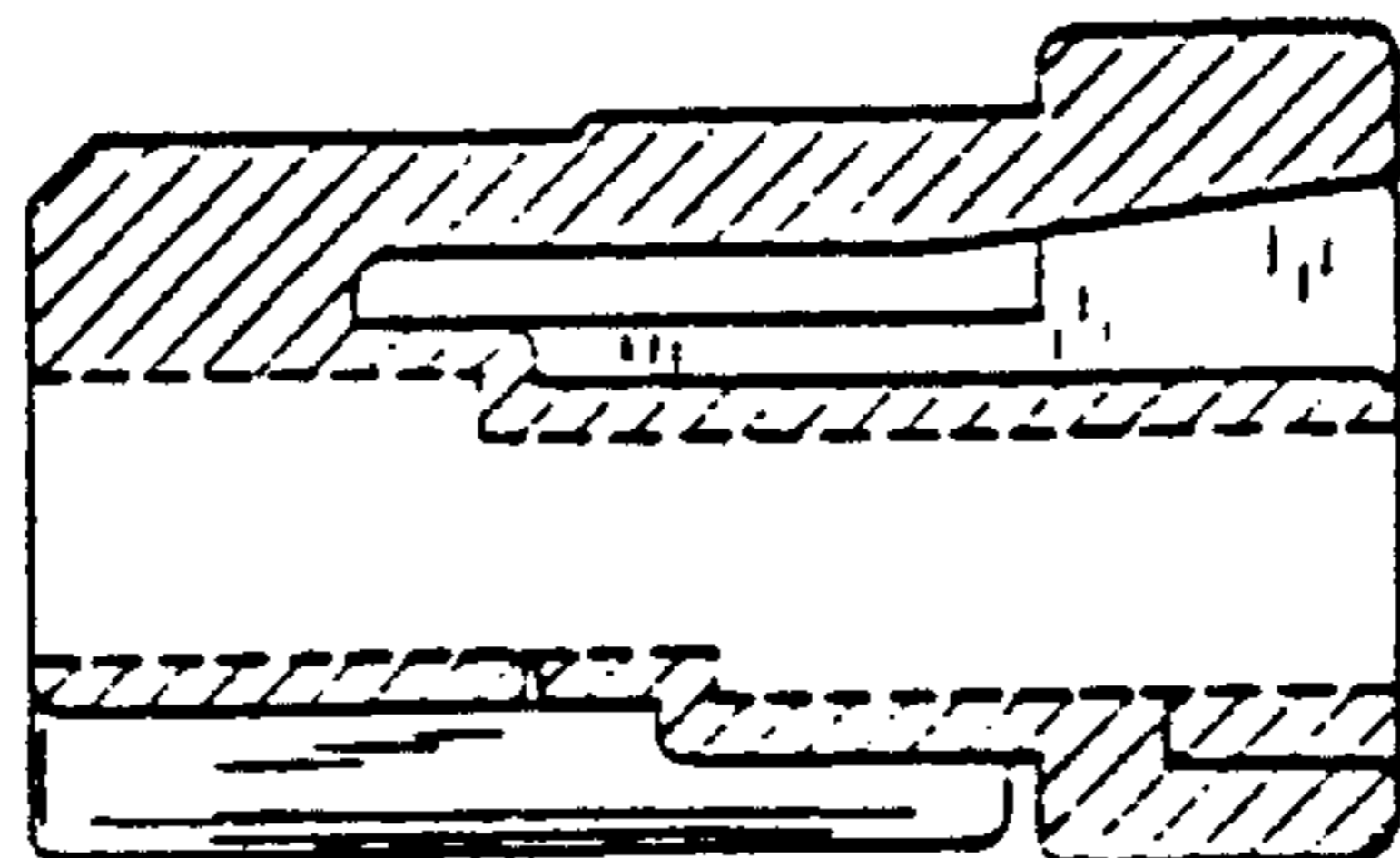


FIG. 9

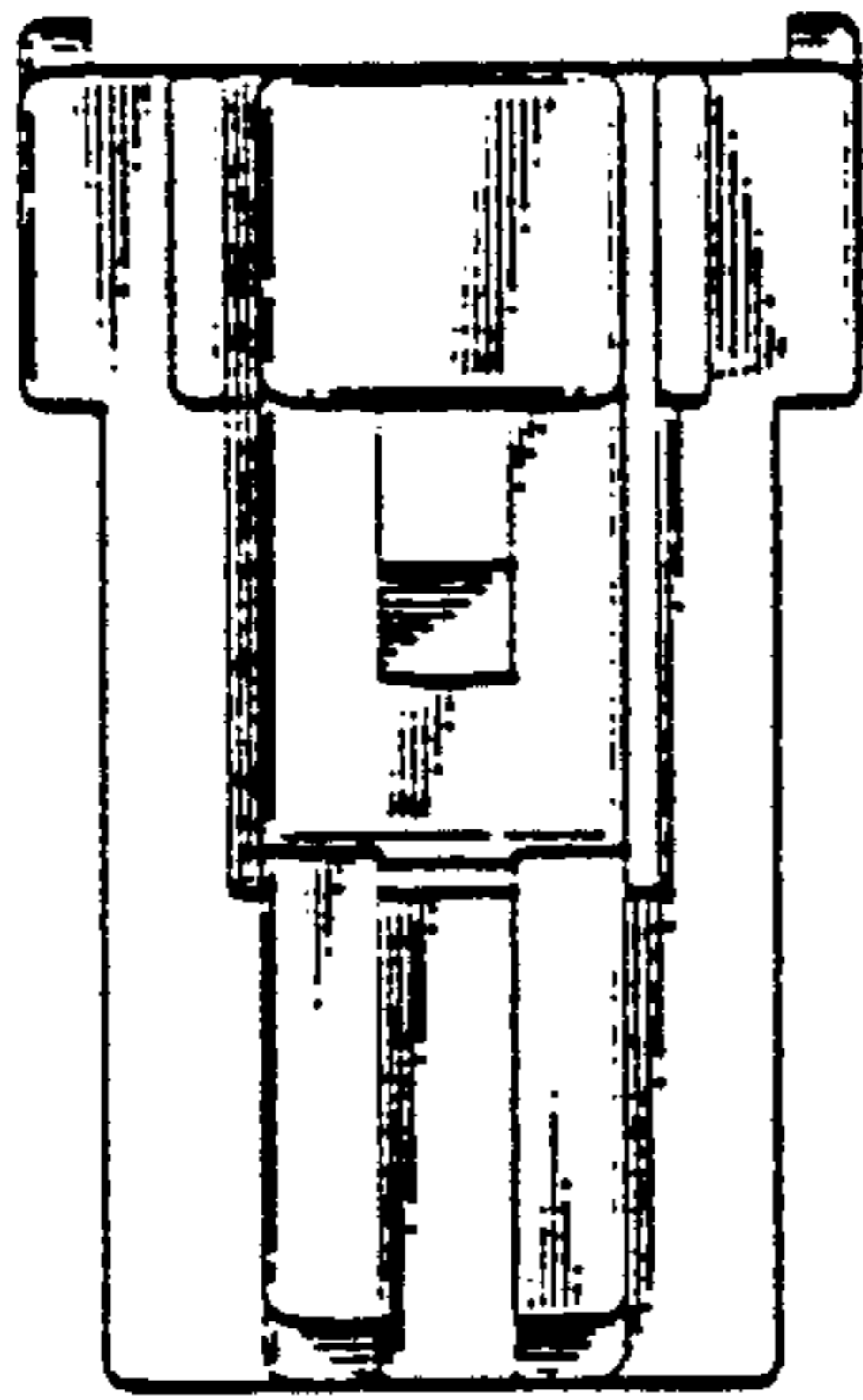


FIG. 8

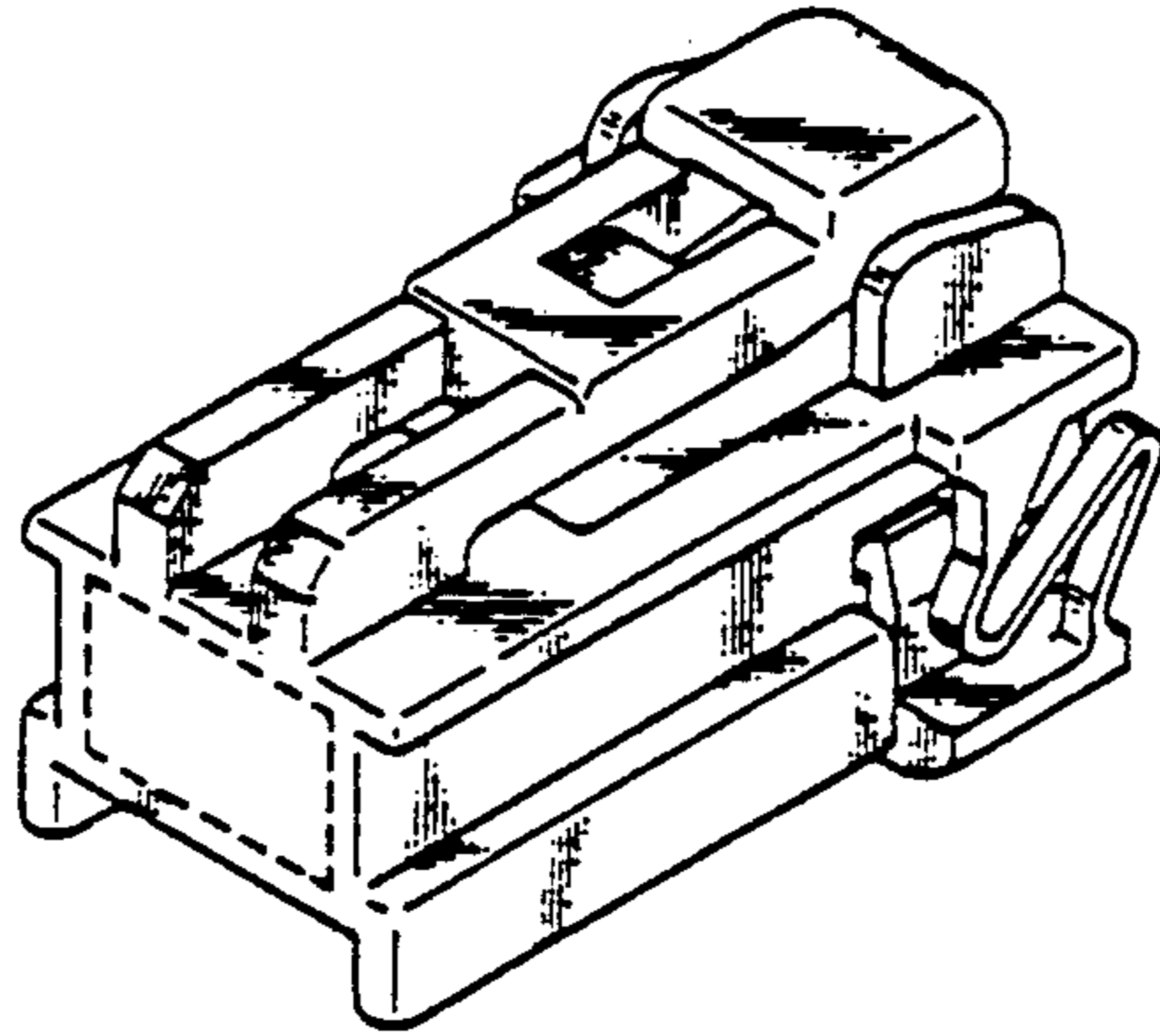


FIG. 10

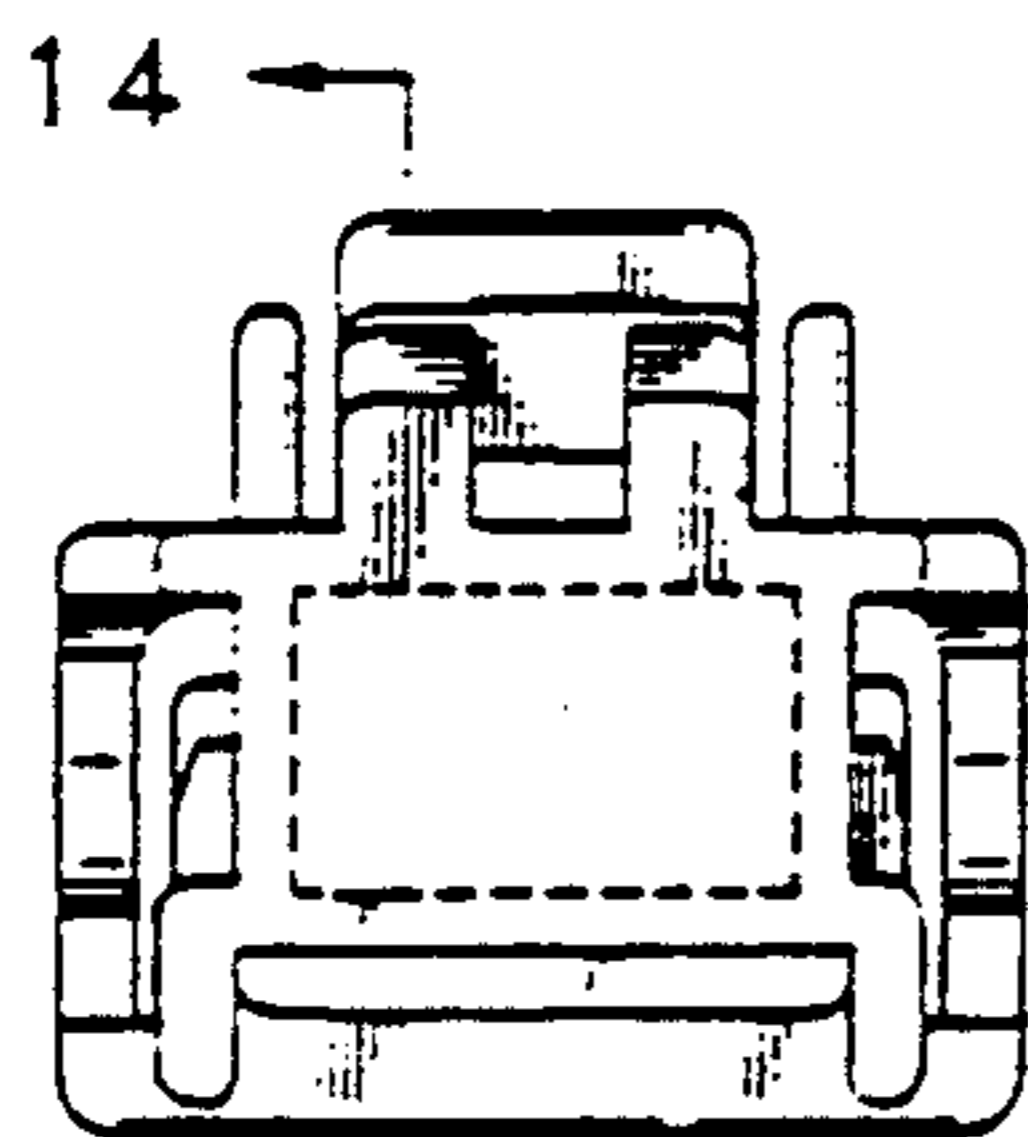


FIG. 12

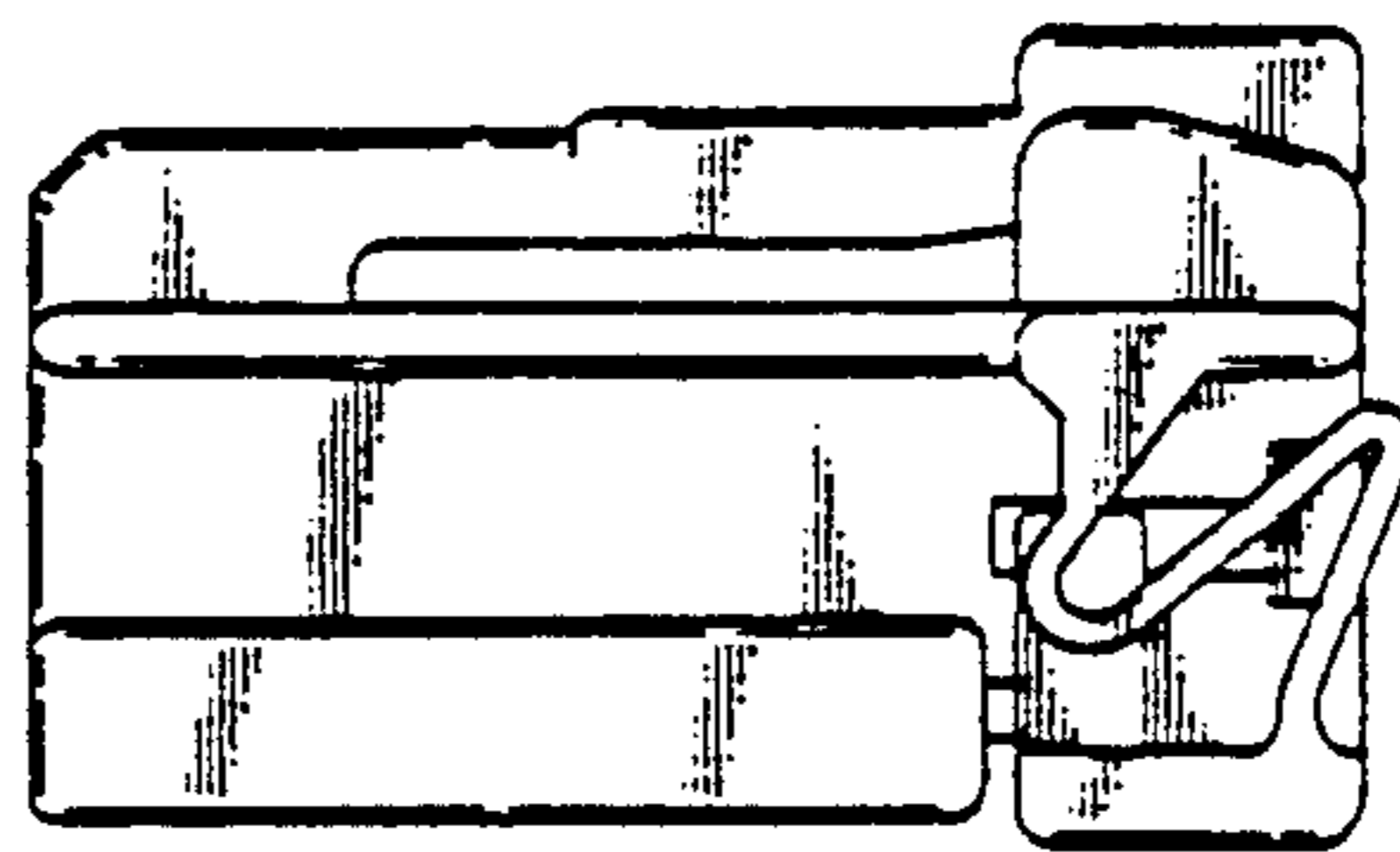


FIG. 11

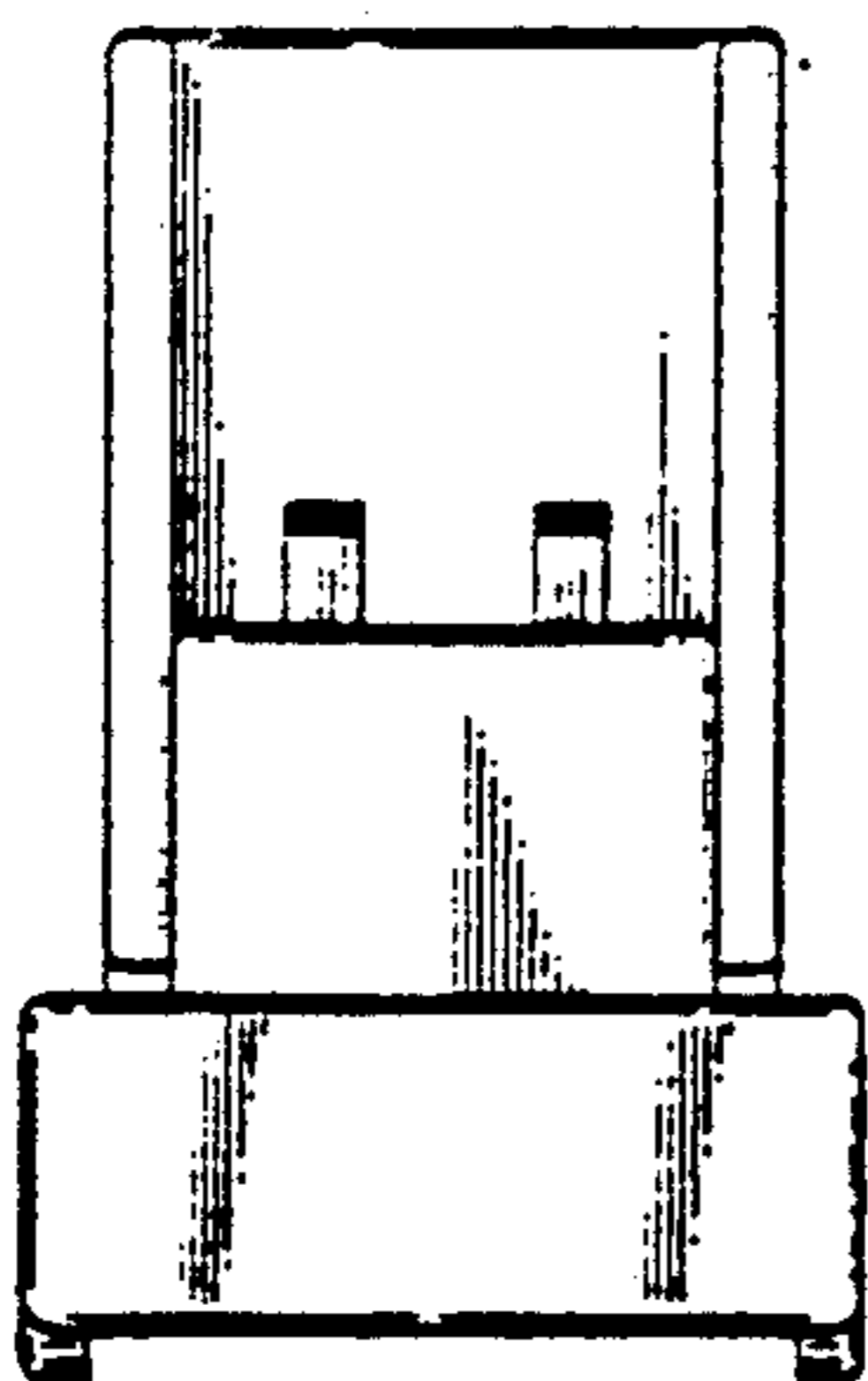


FIG. 13

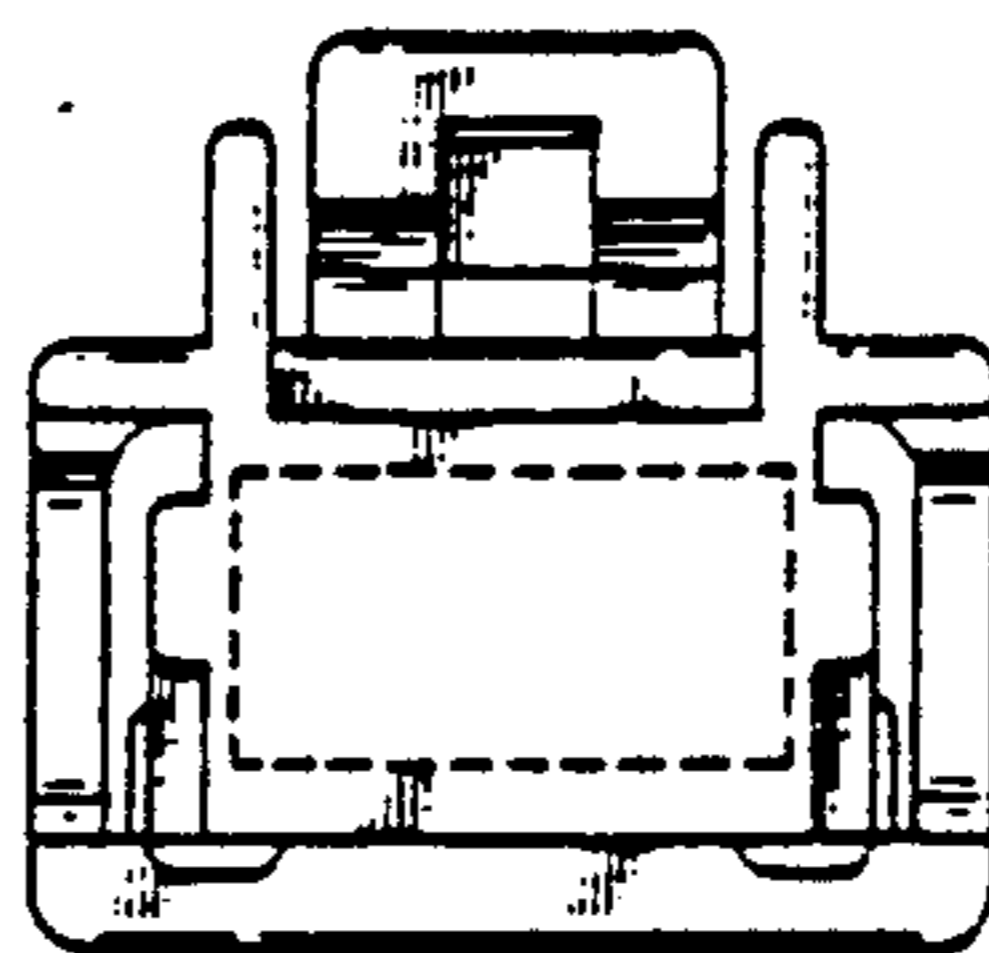


FIG. 14

