



US00D325023S

# United States Patent [19]

[11] Patent Number: **Des. 325,023**

Lee et al.

[45] Date of Patent: **\*\* Mar. 31, 1992**

[54] **CONNECTOR FOR ELECTRICAL SIGNAL TRANSMITTING CABLES**

4,561,716	12/1985	Acke	439/578
4,789,355	12/1988	Lee	439/584
4,917,630	4/1990	Hubbard	439/578
4,932,897	6/1990	Lee et al.	439/578

[76] Inventors: **Noel Lee**, 47 W. Park Dr., Daly City, Calif. 94015; **James D. Hassi**, 3619 21st St., San Francisco, Calif. 94114

### FOREIGN PATENT DOCUMENTS

[\*\*] Term: **14 Years**

A089154	5/1967	France	439/350
0269180	6/1984	Netherlands	439/851

[21] Appl. No.: **294,500**

### OTHER PUBLICATIONS

[22] Filed: **Jan. 6, 1989**

Connectors identified by circled letters "A" and B on page 169 of *Allied Catalog*, No. 856, 1986. Located in examiner's office.

[52] U.S. Cl. .... **D13/133**

[58] Field of Search ..... D13/133; 439/309, 491, 439/581, 584, 587, 595, 669, 693, 755, 851

Adapter Connectors on p. 31 of *Radio Shack Catalog*, No. 419, 1988. Located in examiner's office.

### [56] References Cited

#### U.S. PATENT DOCUMENTS

D. 241,341	9/1976	Oxley	D13/133
D. 277,583	2/1985	Kono	D13/133 X
3,325,767	6/1967	Lancaster	439/578
3,340,495	9/1967	Weinschel	439/578
3,437,982	4/1969	O'Keefe et al.	439/578
3,452,323	6/1969	Bowley et al.	439/578
3,639,889	2/1972	Komadina	439/675 X
3,783,484	1/1974	Ransford, III	439/359 X
3,845,453	10/1974	Hemmer	439/578
3,966,292	6/1976	Schultz	439/578
4,045,113	8/1979	Iacono	439/578
4,155,619	5/1979	Bray et al.	439/578
4,249,790	2/1981	Ito et al.	439/583
4,270,832	6/1981	Tanabe	439/578 X
4,447,108	5/1984	Ghigliotti et al.	439/851

*Primary Examiner*—James M. Gandy

*Assistant Examiner*—J. Sincavage

*Attorney, Agent, or Firm*—Warren B. Kice

### [57] CLAIM

The ornamental design for a connector for electrical signal transmitting cables, as shown and described.

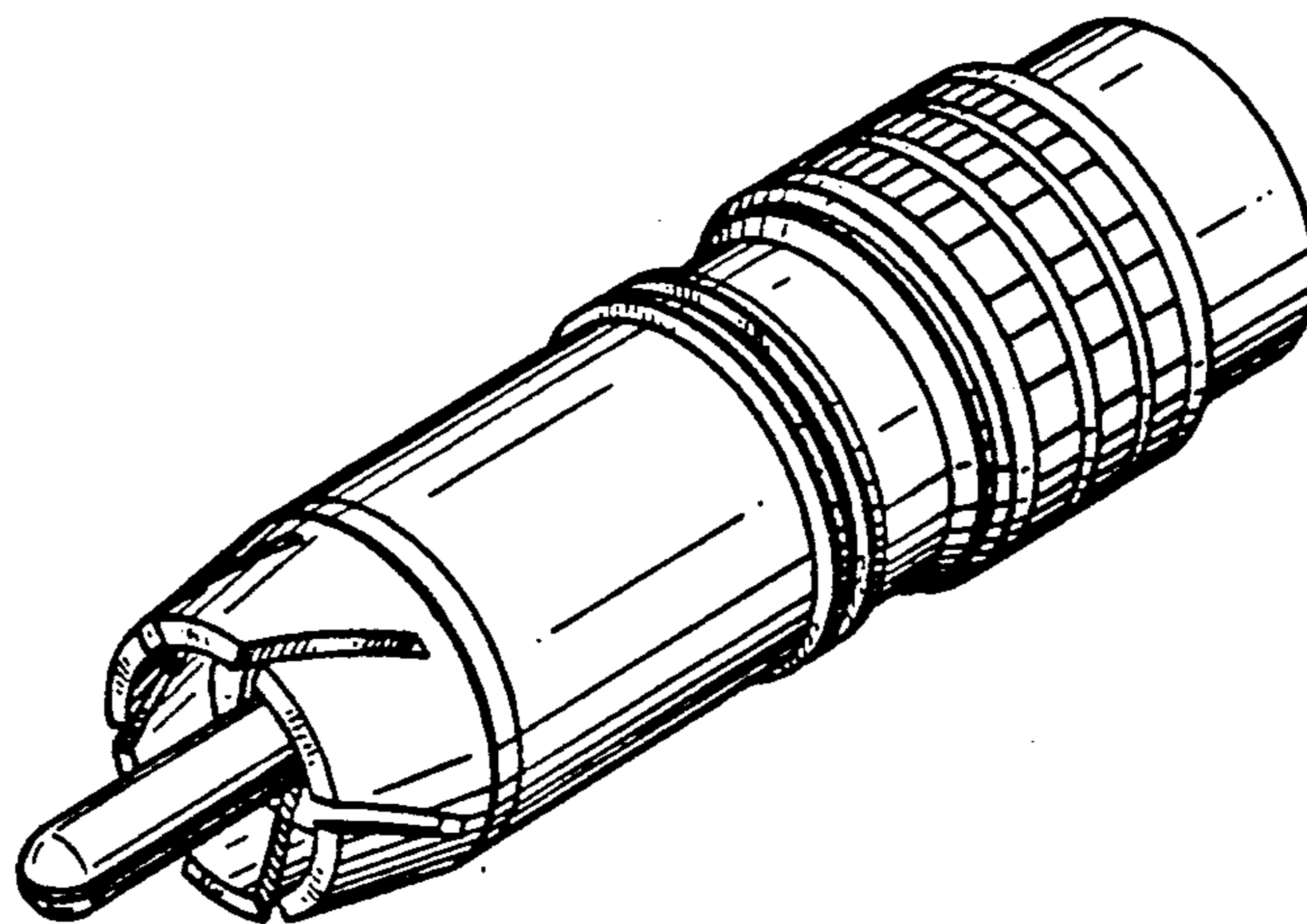
### DESCRIPTION

FIG. 1 is a front perspective view of a connector for electrical signal transmitting cables showing our new design;

FIG. 2 is a side elevational view thereof, the opposite side being a mirror image;

FIG. 3 is a front elevational view thereof; and,

FIG. 4 is a rear perspective view thereof.



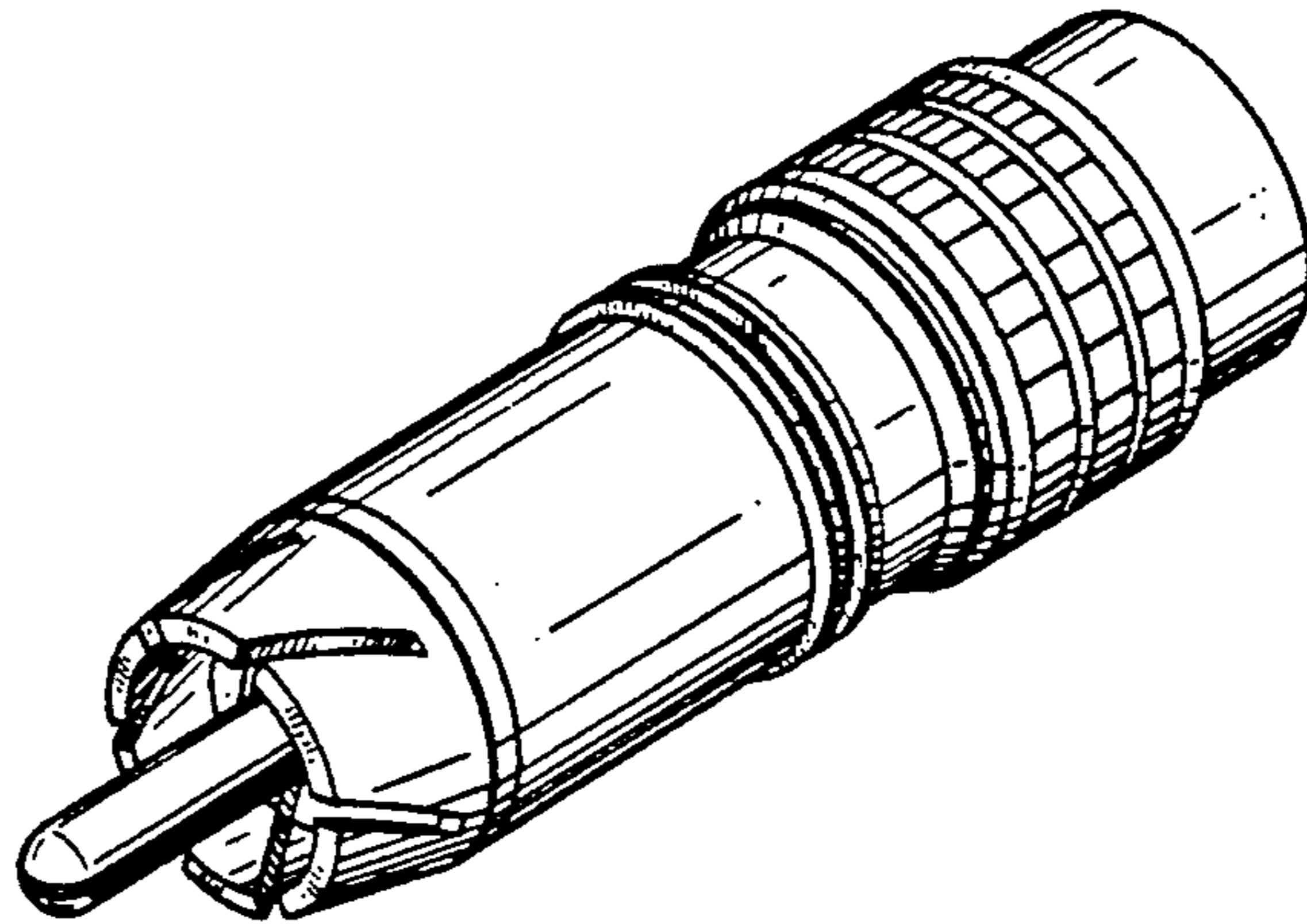


FIG. 1

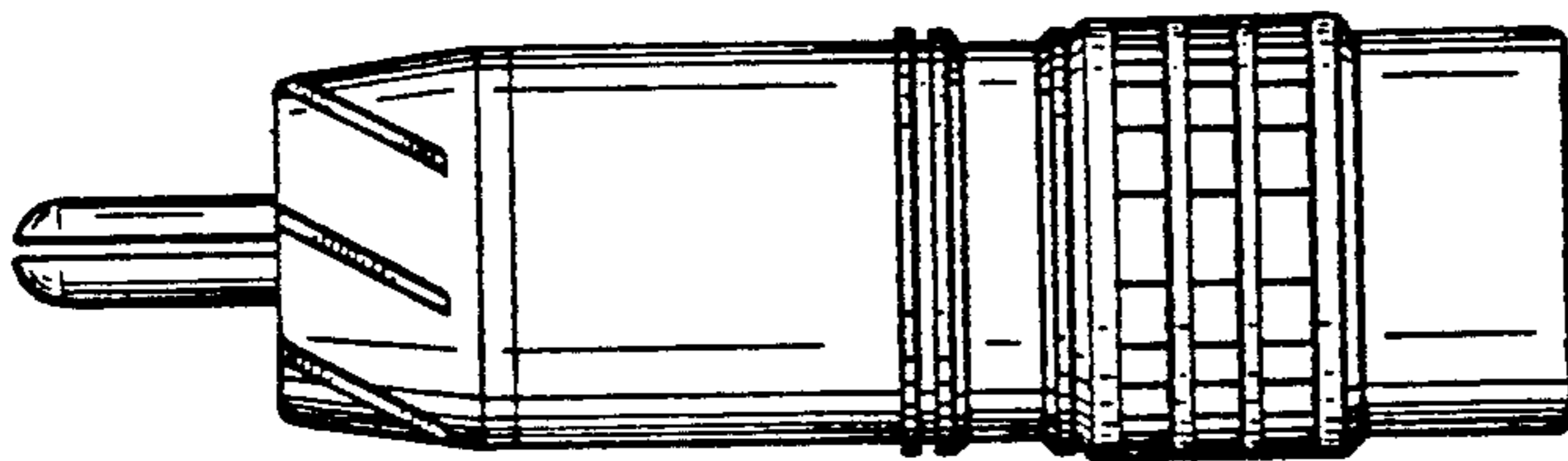


FIG. 2

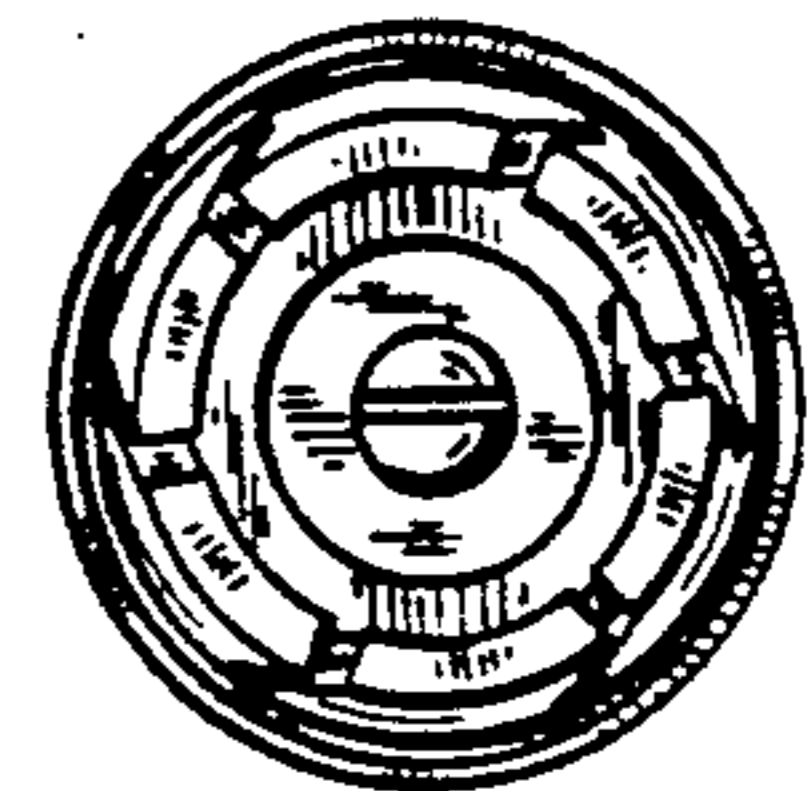


FIG. 3

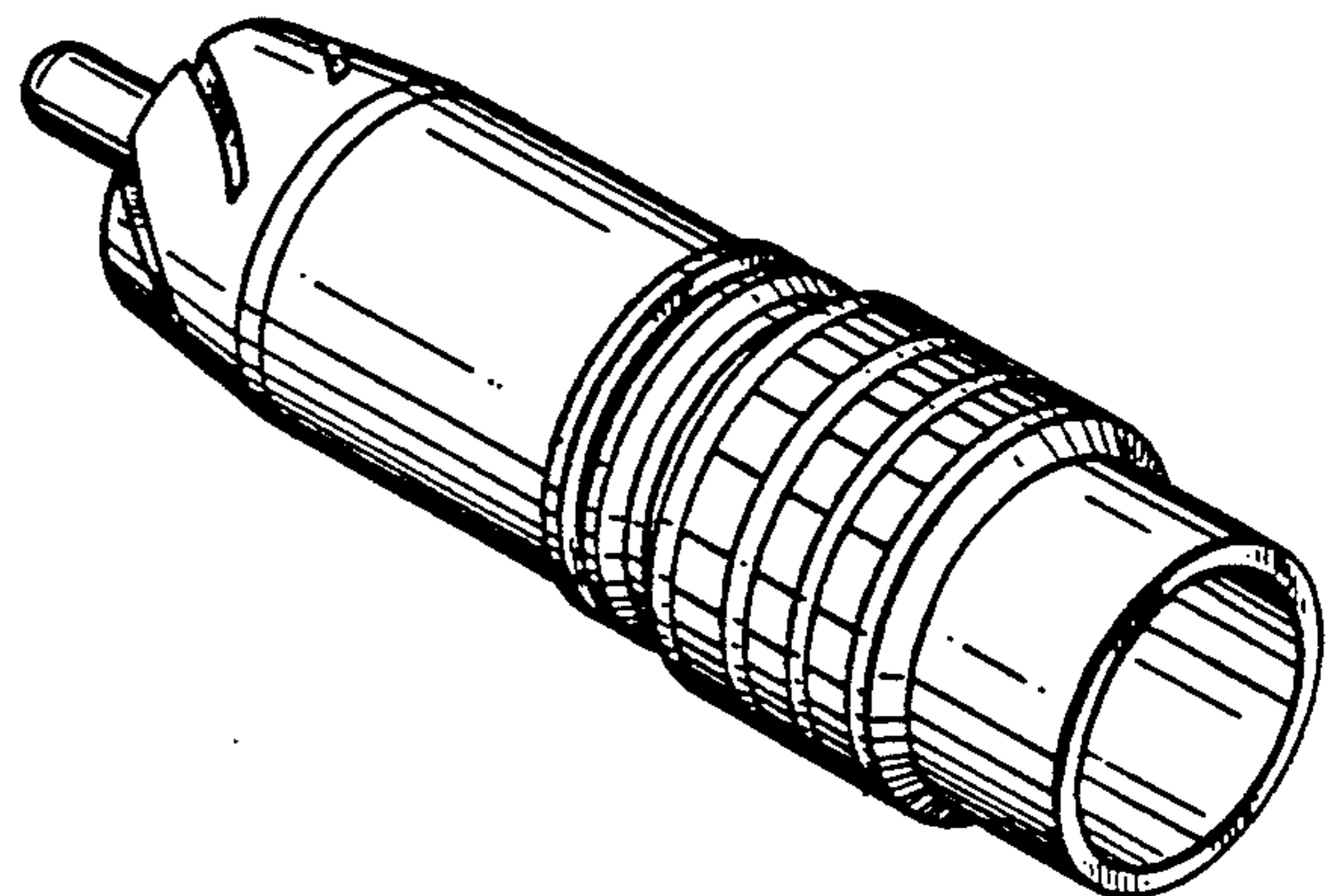


FIG. 4