



US00D325021S

United States Patent [19]

[11] Patent Number: **Des. 325,021**

Mouton, Jr.

[45] Date of Patent: **** Mar. 31, 1992**

[54] **AMPHIBIOUS AIRCRAFT**

[76] Inventor: **William J. Mouton, Jr., P.O. Box 10515, New Orleans, La. 70121**

[**] Term: **14 Years**

[21] Appl. No.: **389,788**

[22] Filed: **Aug. 4, 1989**

[52] U.S. Cl. **D12/324; D12/319**

[58] Field of Search **D12/319, 337, 326, 324; 244/45 A, 45 R, 91, DIG. 14, 16, 13**

[56] **References Cited**

U.S. PATENT DOCUMENTS

- D. 156,778 1/1950 Spencer D12/324
- D. 194,892 3/1963 Harned et al. D12/327
- D. 197,933 4/1964 Summer D12/324
- D. 239,274 3/1976 Snyder D12/335
- D. 273,005 3/1984 McComas D12/335
- D. 311,514 10/1990 Sano et al. D12/319

Primary Examiner—Kay H. Chin

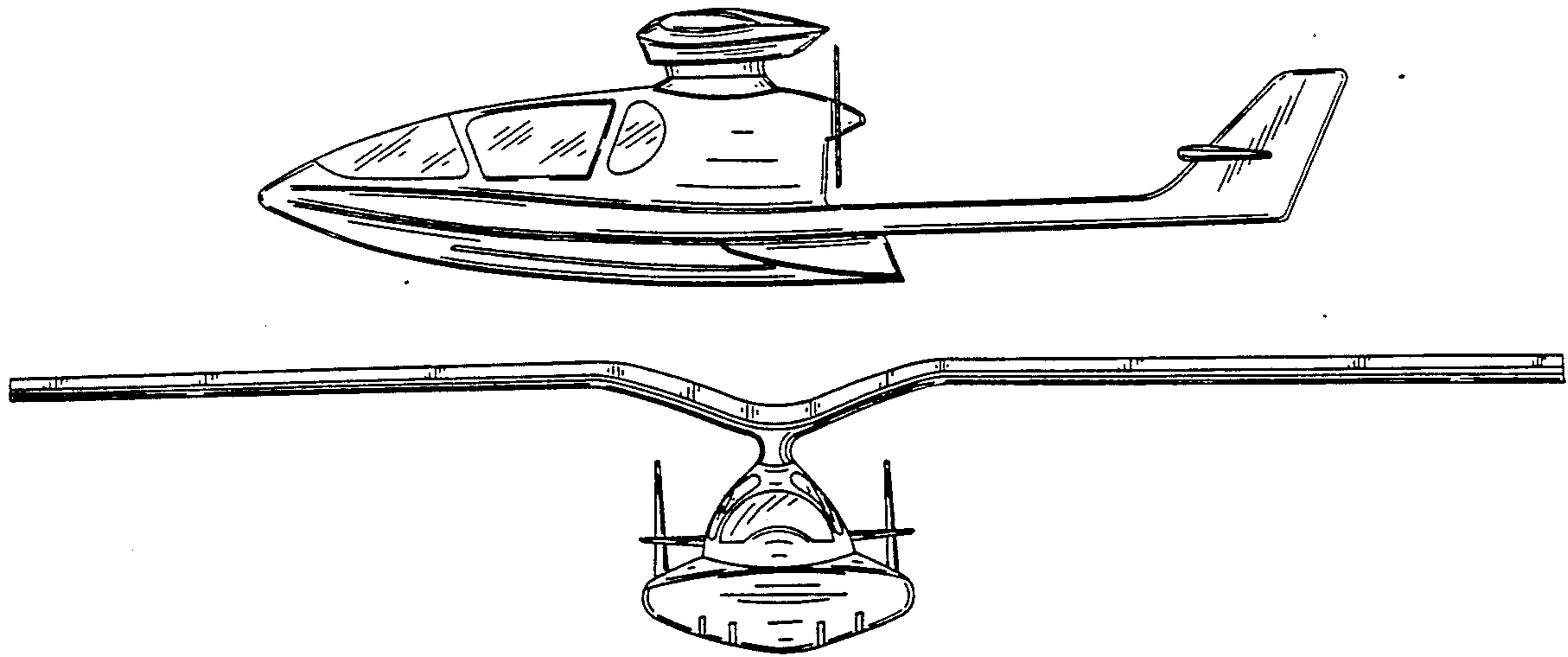
Attorney, Agent, or Firm—Pravel, Gambrell, Hewitt, Kimball & Krieger

[57] **CLAIM**

The ornamental design for an amphibious aircraft, as shown and described.

DESCRIPTION

FIG. 1 is a left elevational view of an amphibious aircraft showing my new design, the right side elevational view being a mirror image of that shown; FIG. 2 is a front elevational view thereof; FIG. 3 is a bottom plan view thereof; FIG. 4 is a rear elevational view thereof; FIG. 5 is a top plan view thereof; FIG. 6 is a left side elevational view thereof with the wing rotated parallel to the hull, the right side elevational view being a mirror image of that shown; and, FIG. 7 is a front elevational view of FIG. 6. Portions of the wing of FIGS. 2, 4, 5, and 6 are shown broken away to indicate indeterminate length and for convenience of illustration.



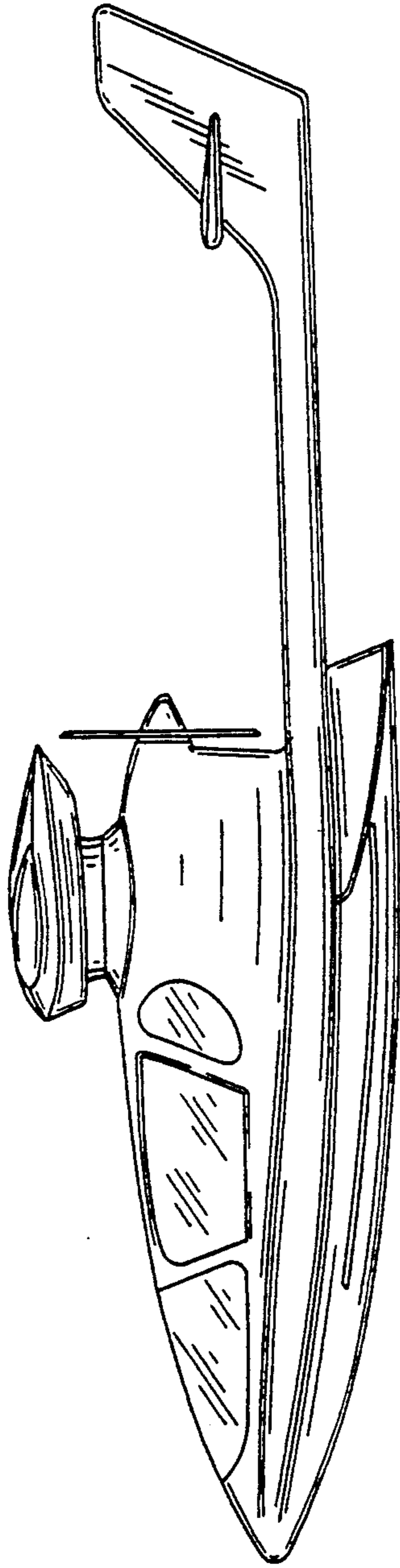


FIG. 1

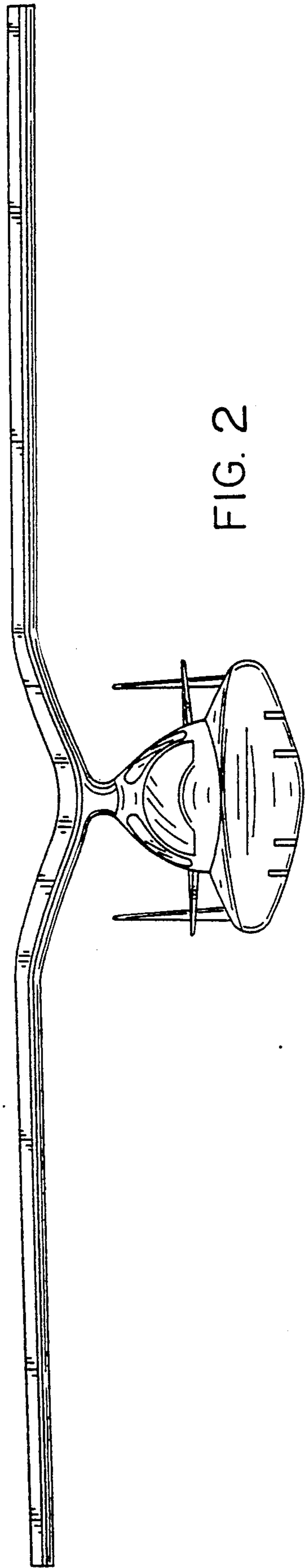


FIG. 2

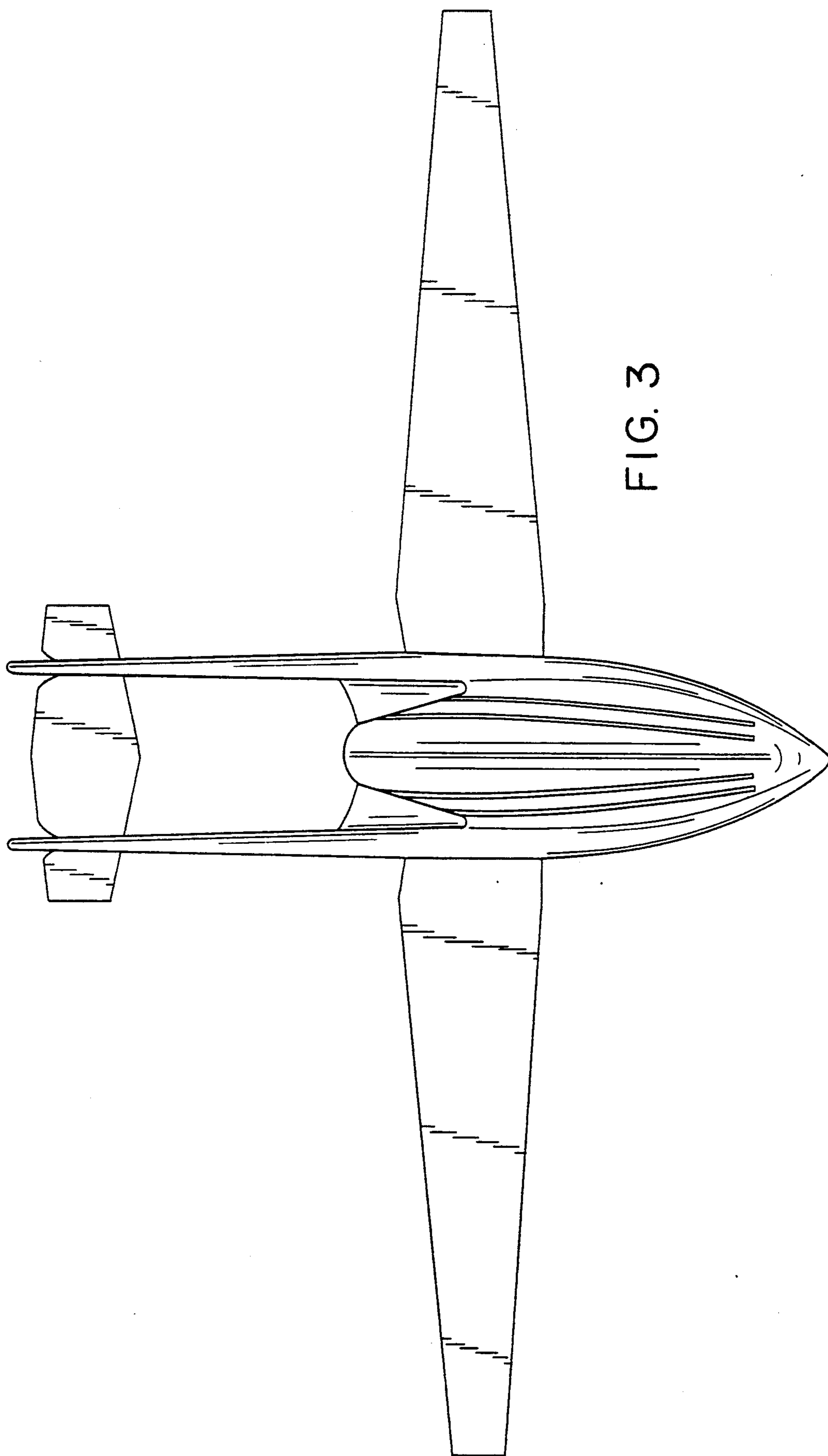


FIG. 3

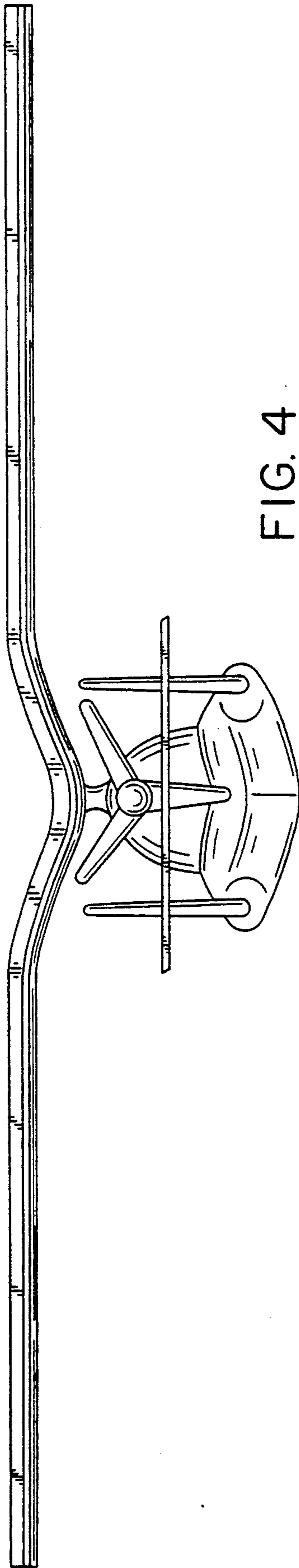


FIG. 4

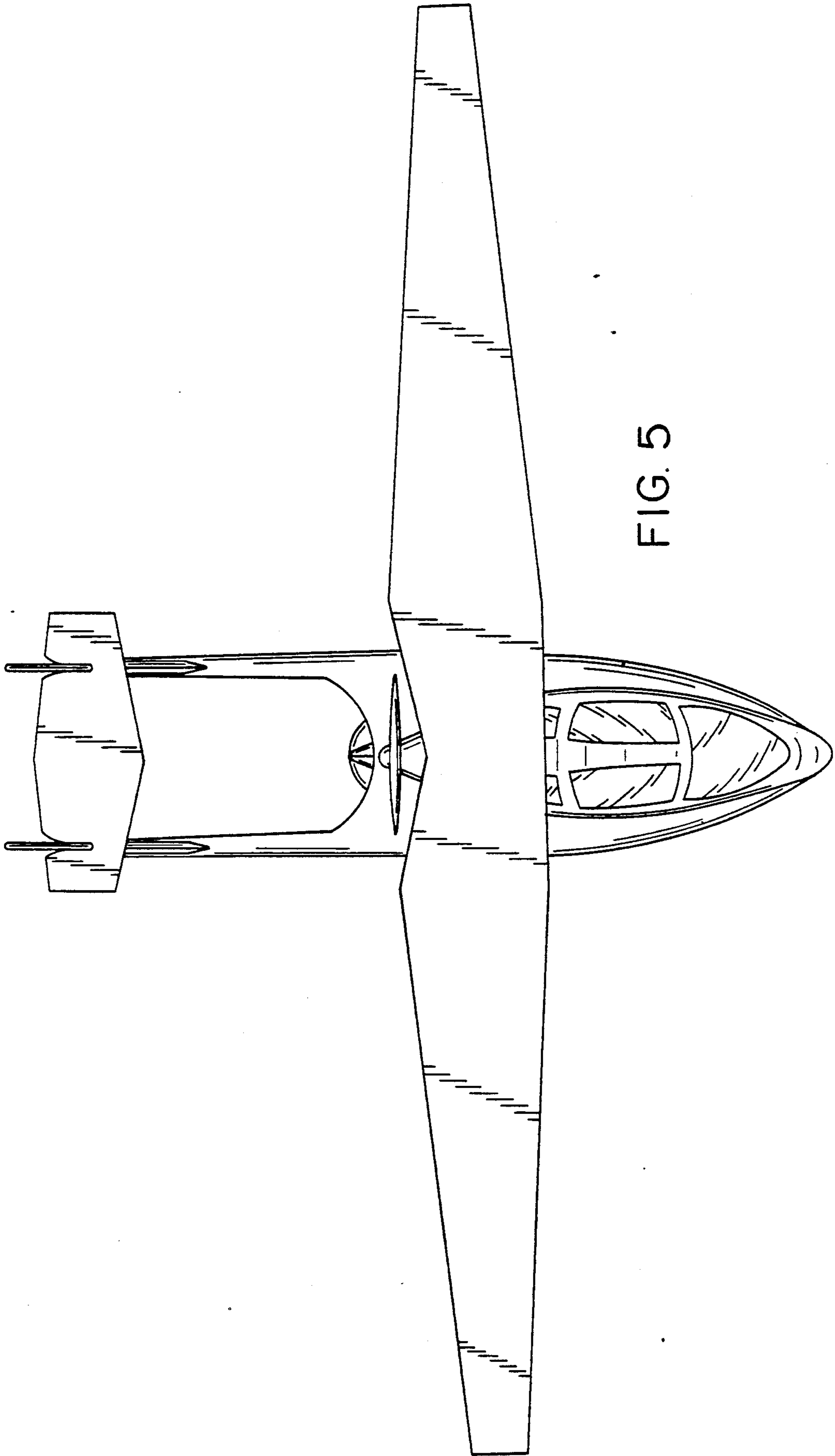


FIG. 5

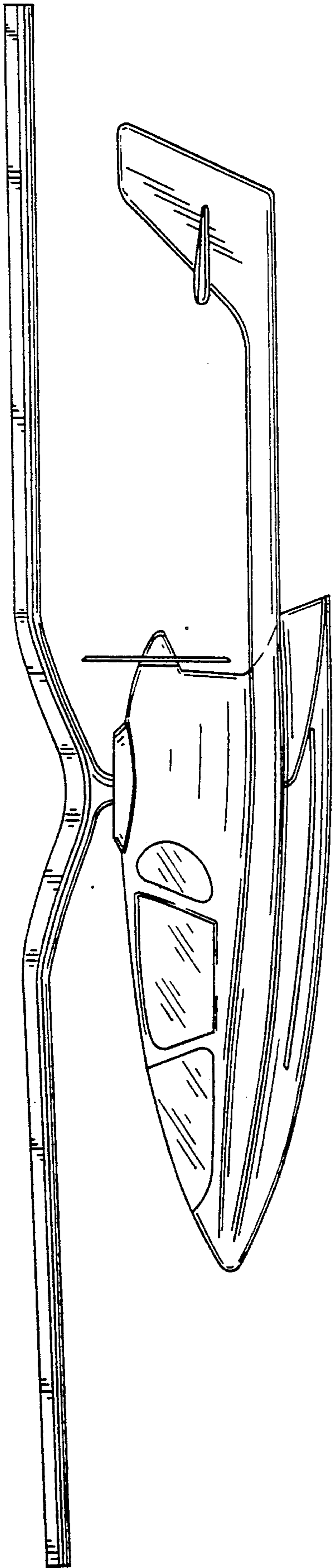


FIG. 6

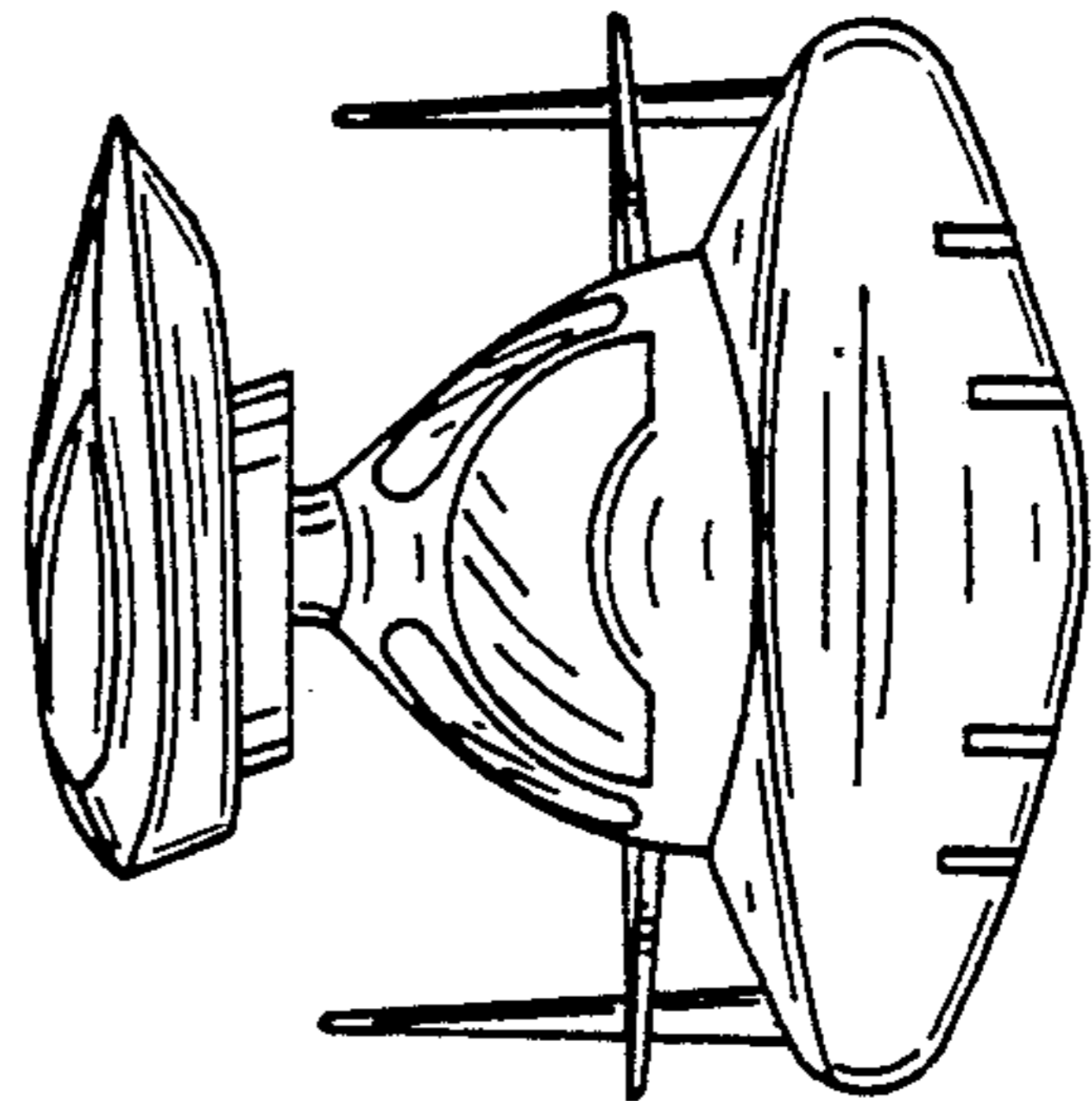


FIG. 7