



US00D324997S

# United States Patent [19]

[11] Patent Number: **Des. 324,997**

Jones

[45] Date of Patent: **\*\* Mar. 31, 1992**

[54] CONTAINER

[75] Inventor: **Joe Jones**, Northwood, England

[73] Assignee: **Beecham Group p.l.c.**, Middlesex, England

[\*\*] Term: **14 Years**

[21] Appl. No.: **721,228**

[22] Filed: **Jun. 25, 1991**

101,853 6/1870 Kaufman ..... 206/581 X

D. 163,649 6/1951 Smoot ..... D3/30.1

D. 167,777 9/1952 Spender ..... D28/82 X

D. 280,975 10/1985 Van Dine ..... D9/355 X

1,440,046 12/1922 Ziplinsky ..... D9/418 X

1,650,712 11/1927 Heiter ..... 132/305 X

2,219,454 10/1940 Reilly ..... 132/286 X

2,479,854 8/1949 Miller ..... 132/301 X

3,375,538 4/1968 Mains et al. .... 14/210 R X

### Related U.S. Application Data

[62] Division of Ser. No. 301,742, Jan. 25, 1989.

[52] U.S. Cl. .... **D9/377; D9/392; D9/414; D28/82; D28/91.1**

[58] Field of Search ..... **D28/76, 82, 4; D9/353, D9/377, 390, 392, 399, 414, 424; 206/581, 235, 823; 132/293**

*Primary Examiner*—Bernard Ansher  
*Assistant Examiner*—C. Tuttle  
*Attorney, Agent, or Firm*—Peter C. Michalos

### [57] CLAIM

The ornamental design for a container, as shown and described.

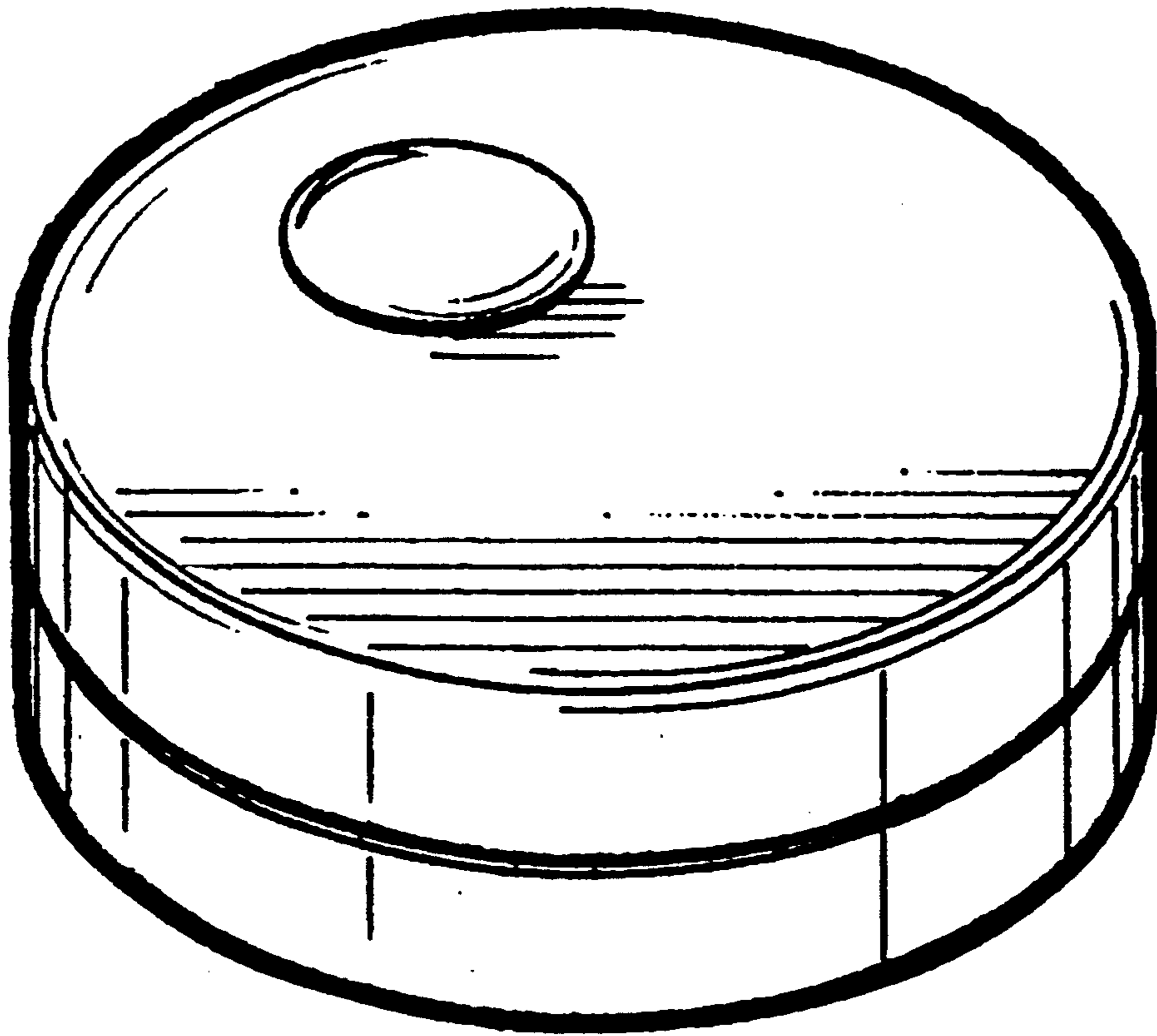
### DESCRIPTION

FIG. 1 is a top, front and left side perspective view of a container showing my new design;  
 FIG. 2 is a top plan view thereof;  
 FIG. 3 is a bottom plan view thereof; and,  
 FIG. 4 is a rear elevational view thereof.

### [56] References Cited

#### U.S. PATENT DOCUMENTS

D. 50,963 6/1917 Ono ..... D28/83



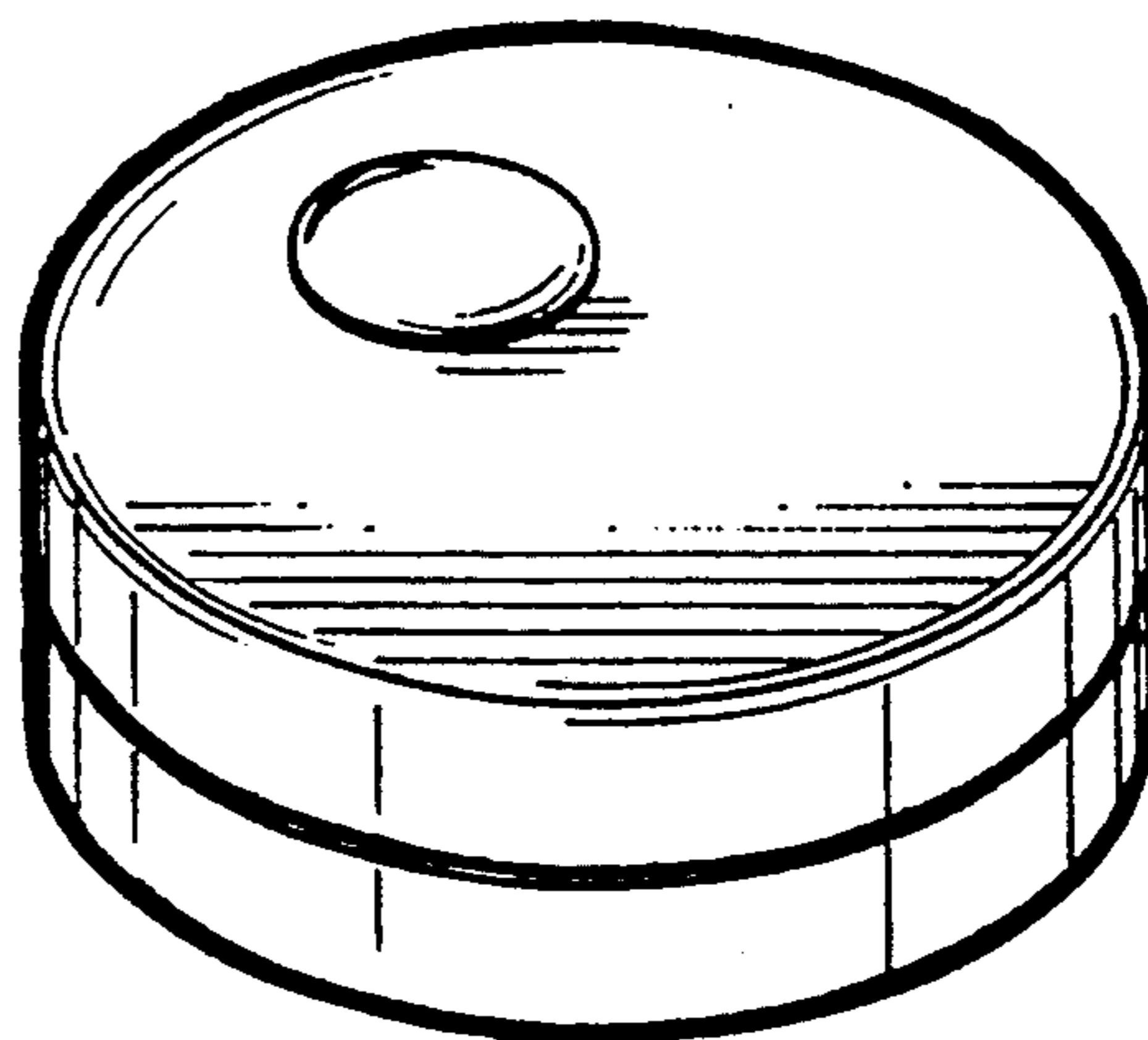


FIG. 1

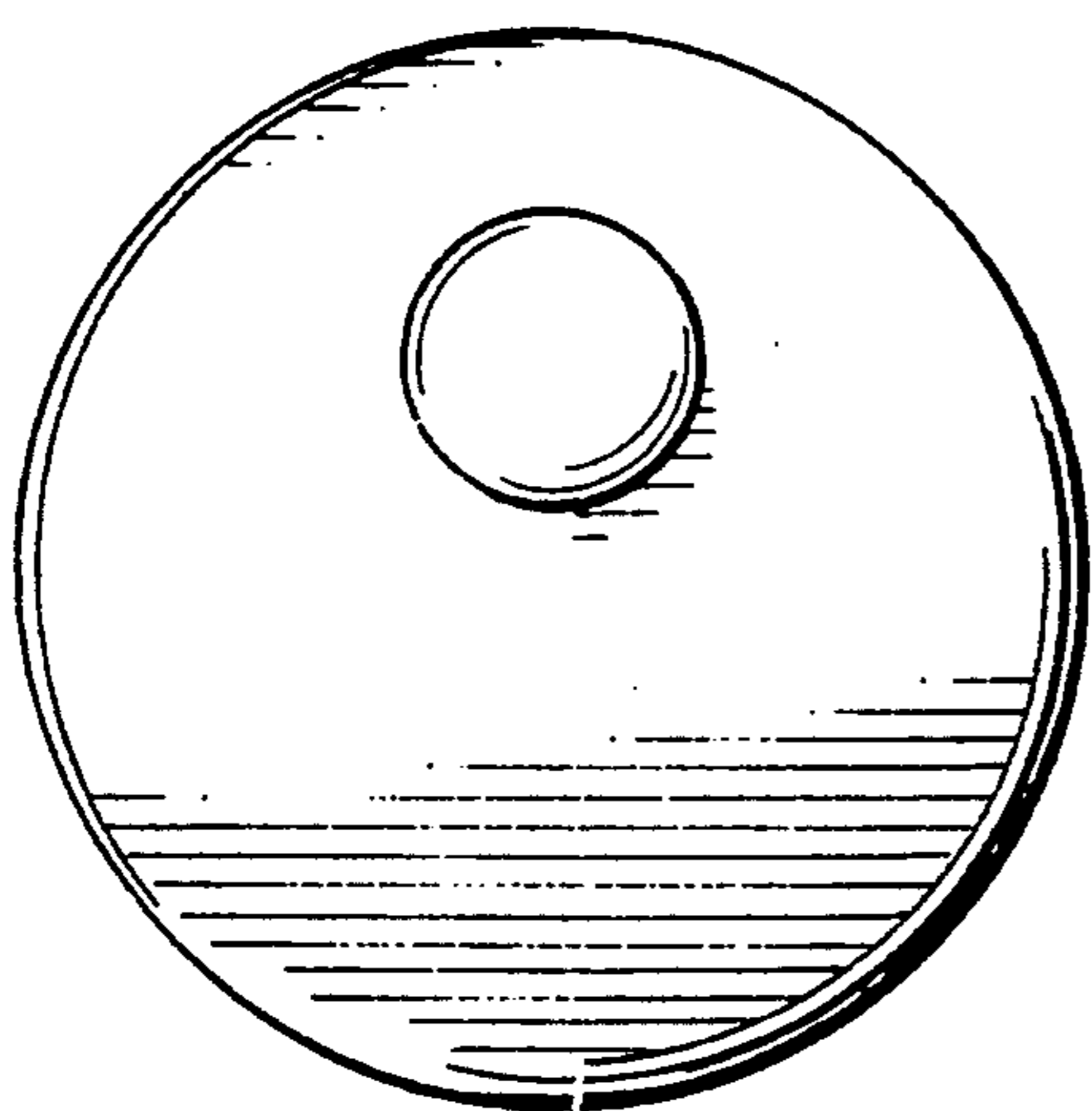


FIG. 2

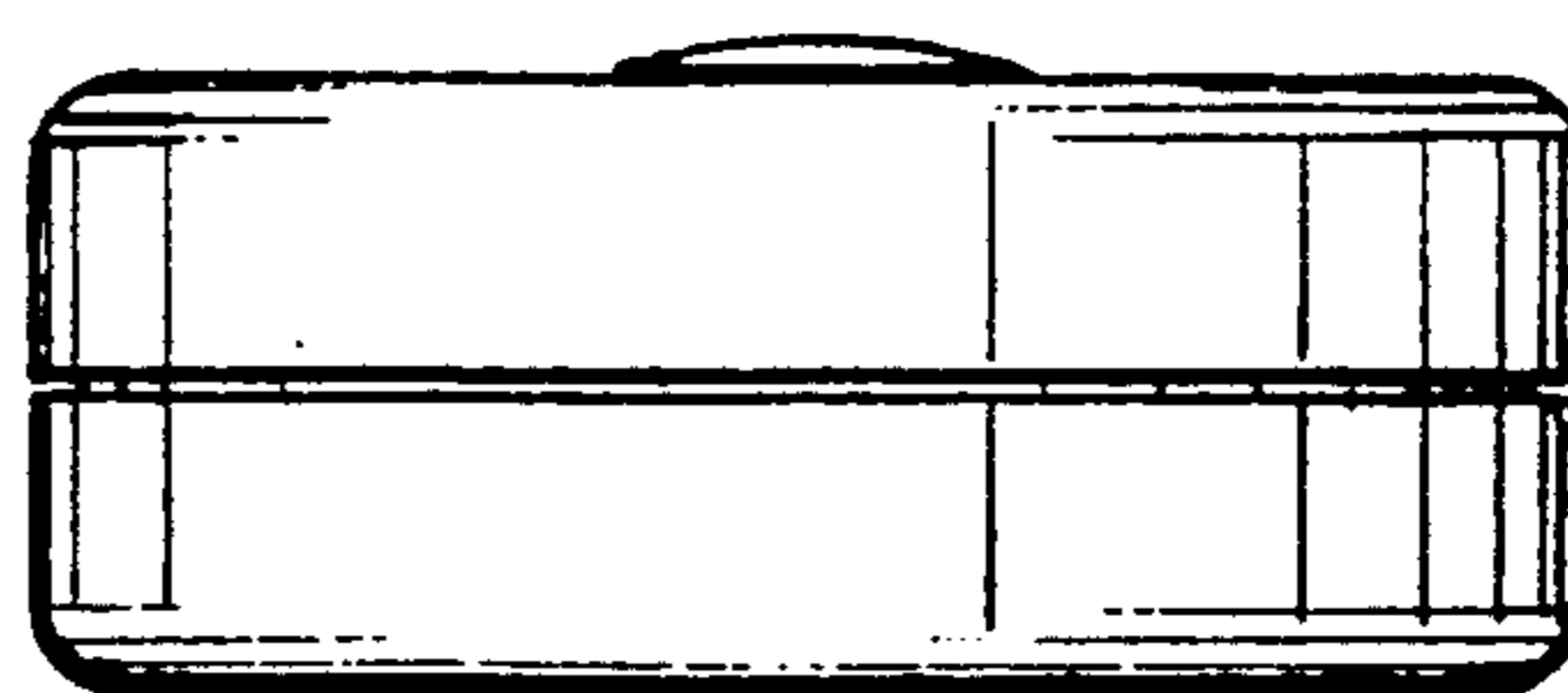


FIG. 4

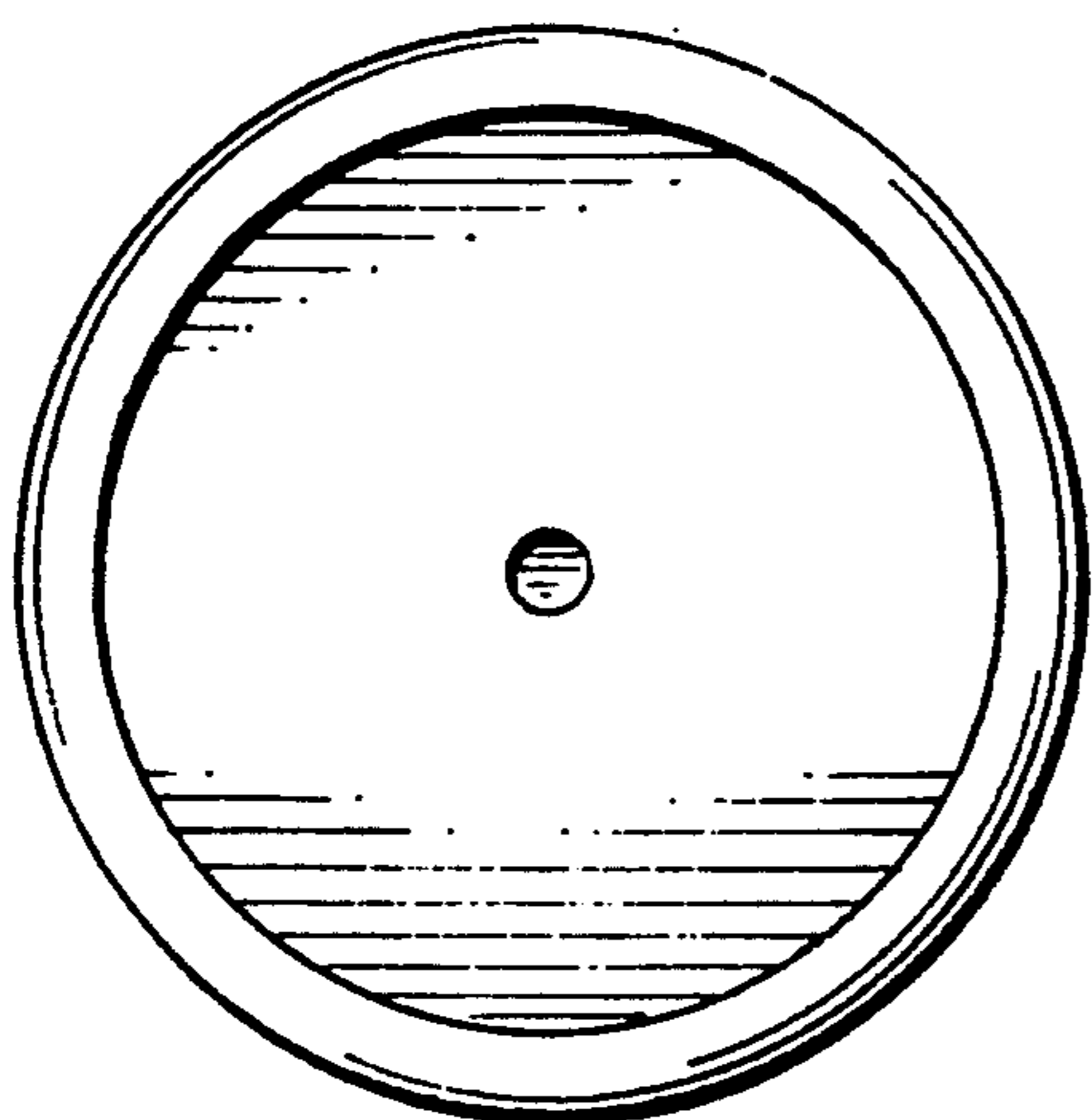


FIG. 3