



US00D324992S

# United States Patent [19]

[11] Patent Number: **Des. 324,992**

Ono et al.

[45] Date of Patent: **\*\* Mar. 31, 1992**

## [54] COMBINED FASTENER AND SUPPORT FOR ELECTRICAL WIRES

[75] Inventors: **Mamoru Ono; Ichiro Kudo; Toshio Okazaki; Ichiro Yasue**, all of Toyota, Japan

[73] Assignee: **Yazaki Corporation**, Japan

[\*\*] Term: **14 Years**

[21] Appl. No.: **316,392**

[22] Filed: **Feb. 27, 1989**

### [30] Foreign Application Priority Data

Aug. 25, 1988 [JP] Japan ..... 63-33337

[52] U.S. Cl. .... **D8/396; D8/382; D13/154**

[58] Field of Search ..... **D13/149; D8/396, 382; 174/166 R, 172; 248/68.1, 71, 73, 74.2, 74.3, 74.4, 544**

### [56] References Cited

#### U.S. PATENT DOCUMENTS

- D. 308,819 6/1990 Anscher ..... D8/396
- 4,509,710 4/1985 Cooper et al. .... D13/149 X
- 4,669,688 6/1987 Itoh et al. .... 248/68.1
- 4,700,913 10/1987 Hirano et al. .... 248/73

## FOREIGN PATENT DOCUMENTS

- 1340537 12/1973 United Kingdom ..... 248/73
- 2142376 1/1985 United Kingdom ..... 248/73

*Primary Examiner*—Susan J. Lucas  
*Assistant Examiner*—J. Sincavage  
*Attorney, Agent, or Firm*—Jones, Askew & Lunsford

## [57] CLAIM

The ornamental design for a combined fastener and support for electrical wires, as shown and described.

## DESCRIPTION

FIG. 1 is a front and upper-left perspective view of a combined fastener and support for electrical wires showing our new design;

FIG. 2 is a top plan view of a combined fastener and support for electrical wires showing our new design on an enlarged scale;

FIG. 3 is a front elevation view thereof;

FIG. 4 is a left side elevation view thereof;

FIG. 5 is a right side elevation view thereof;

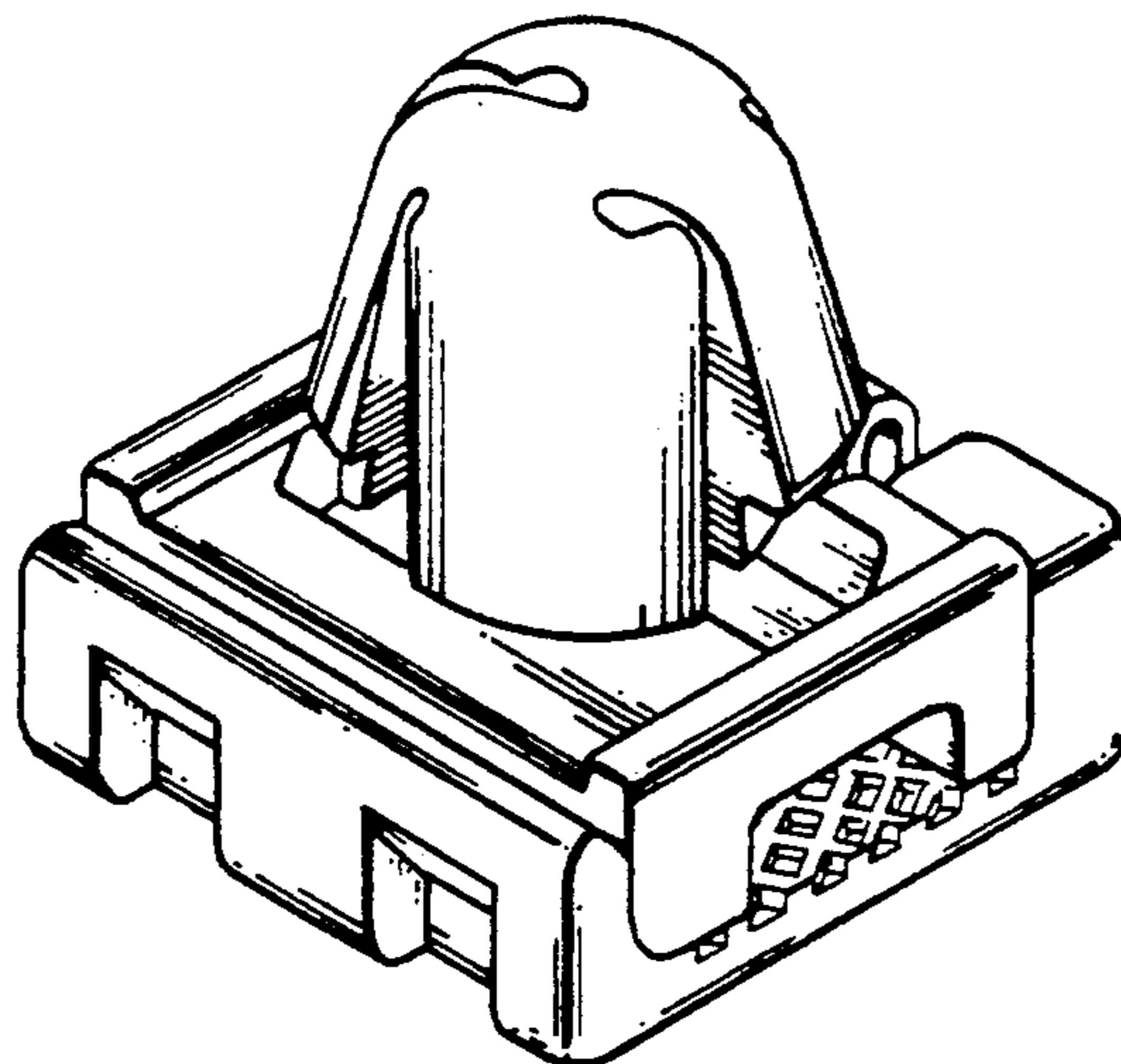
FIG. 6 is a rear elevation view thereof;

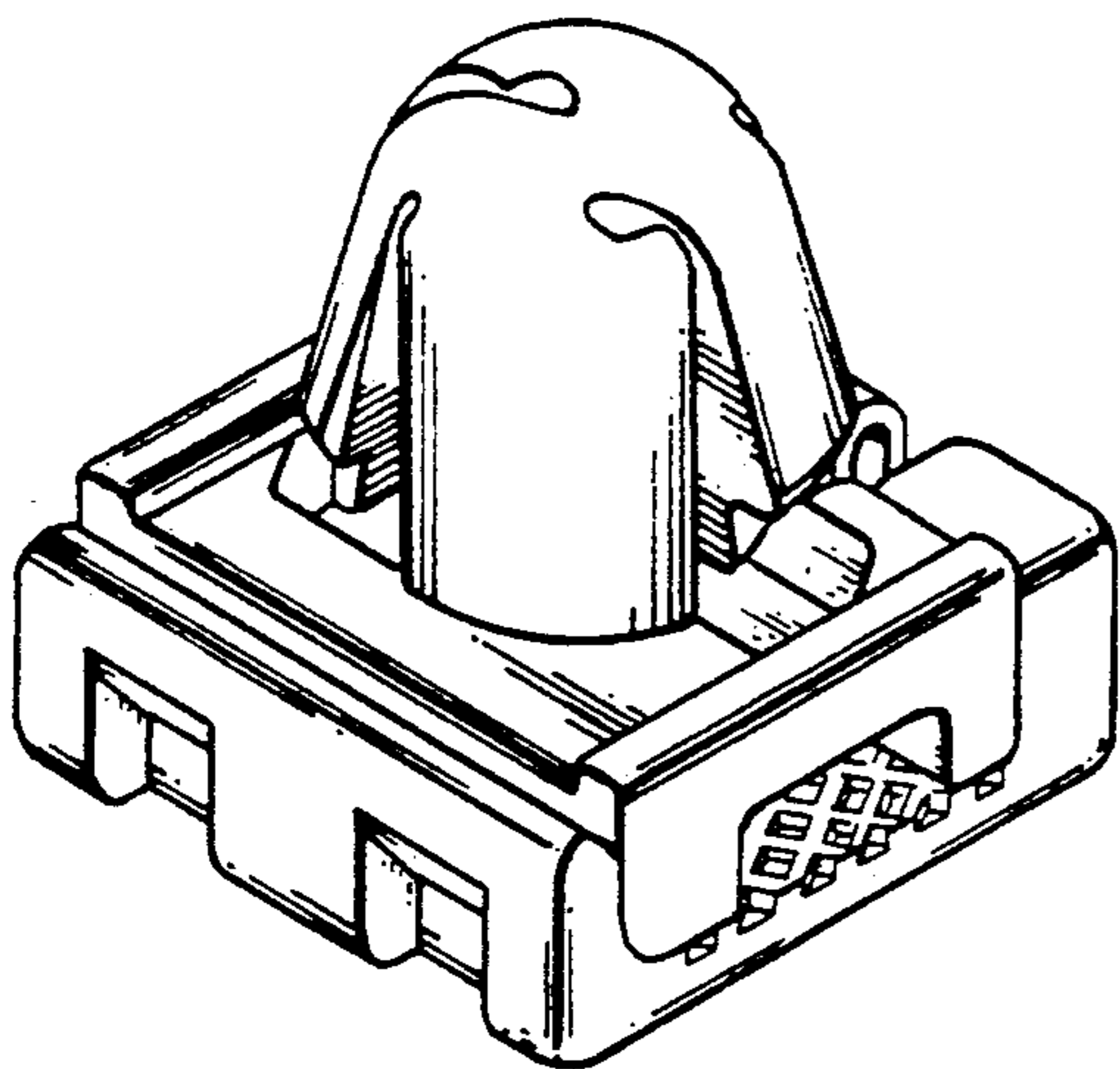
FIG. 7 is a bottom plan view thereof;

FIG. 8 is a front elevation view of a combined fastener and support for electrical wires showing our new design in the open position;

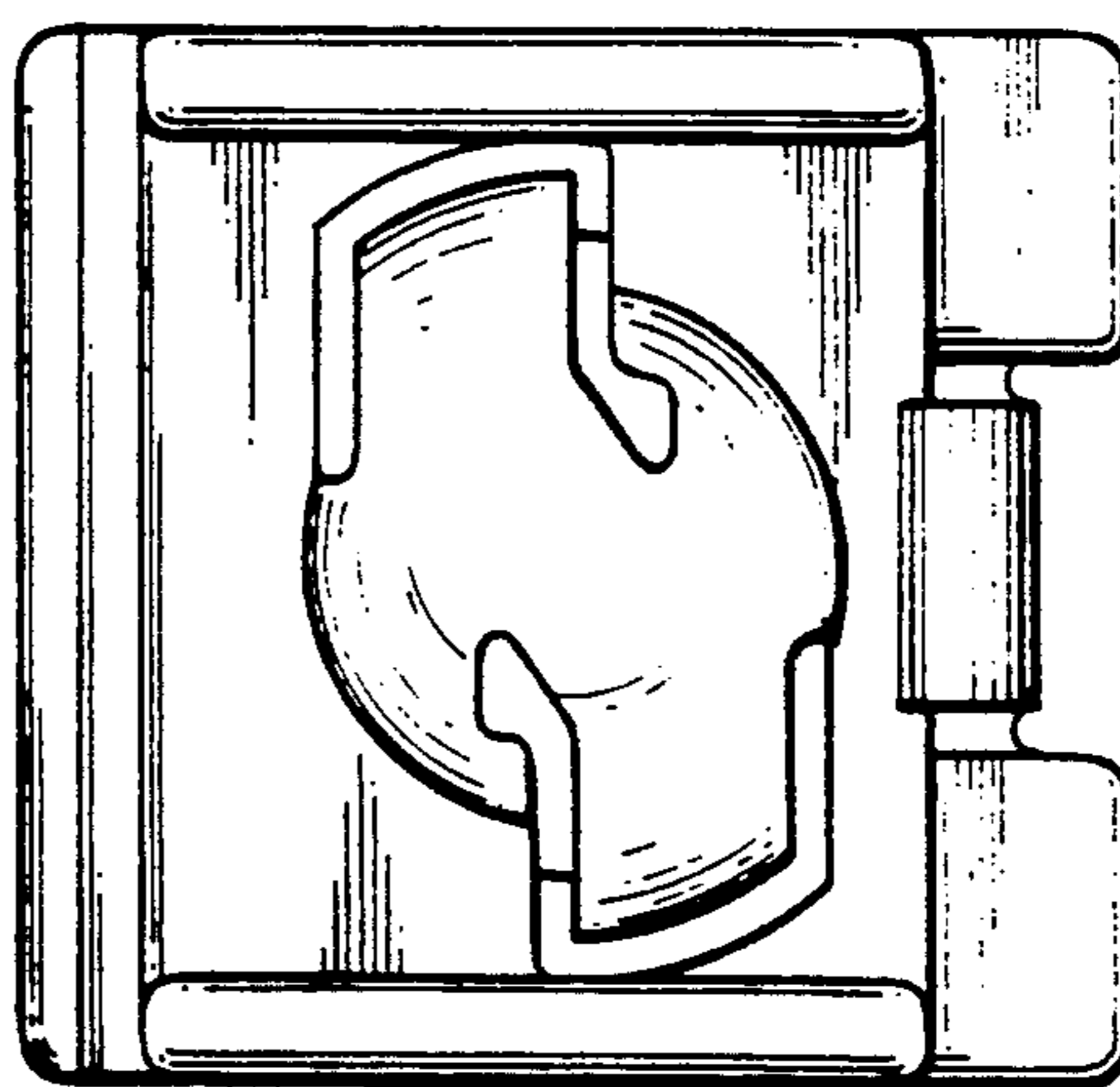
FIG. 9 is a right side elevation view thereof; and,

FIG. 10 is a bottom plan view thereof.

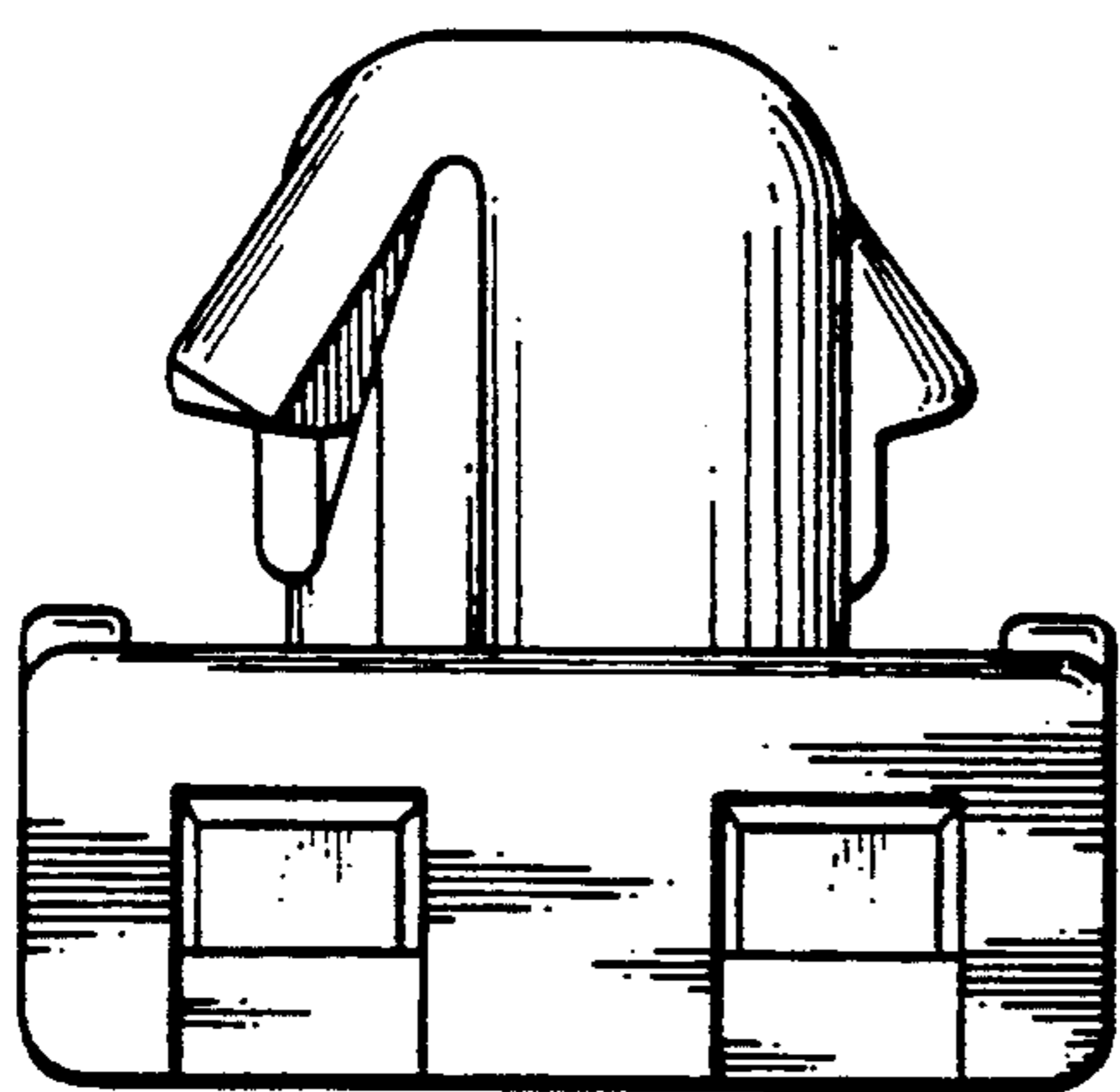




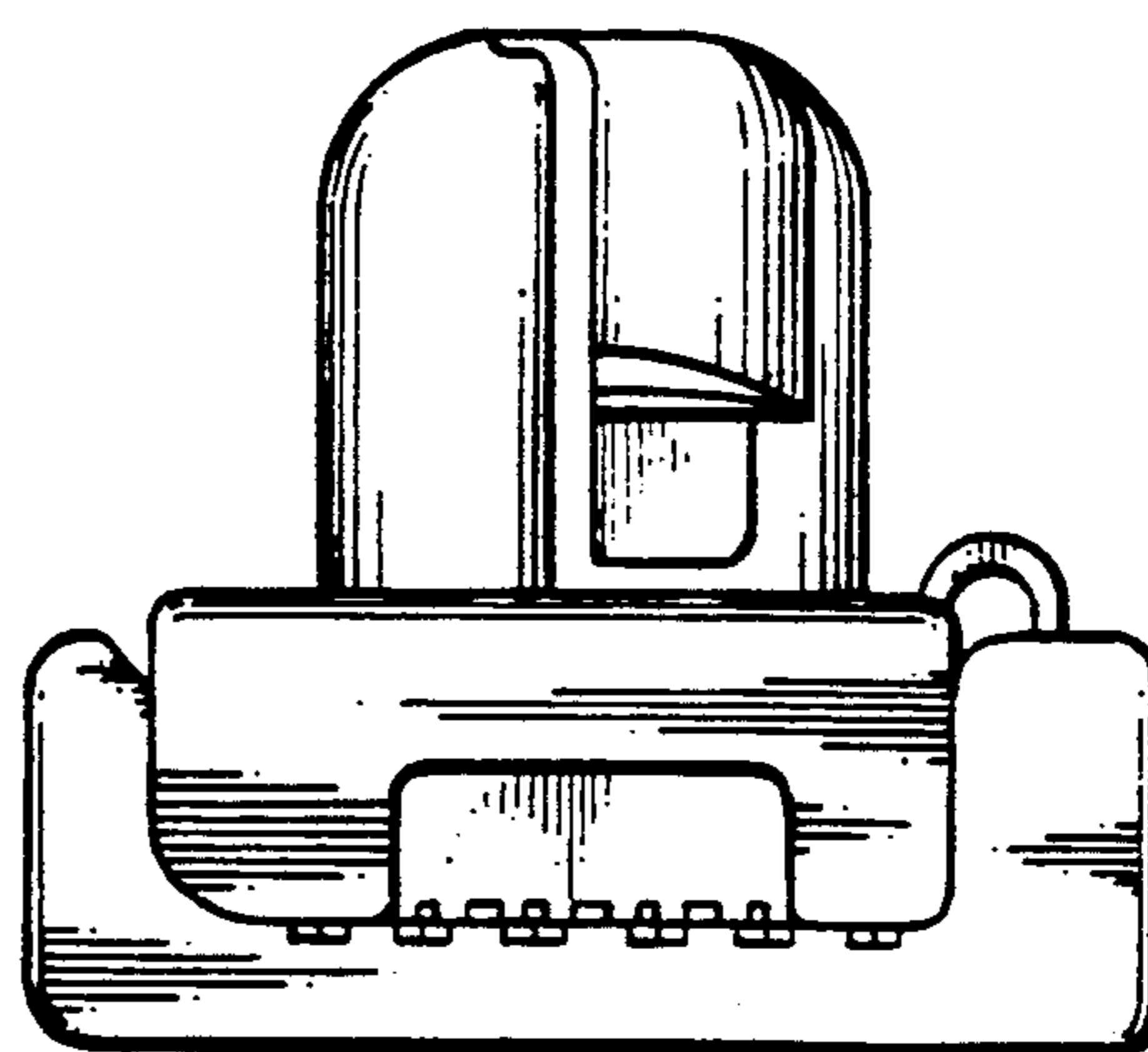
*Fig. 1*



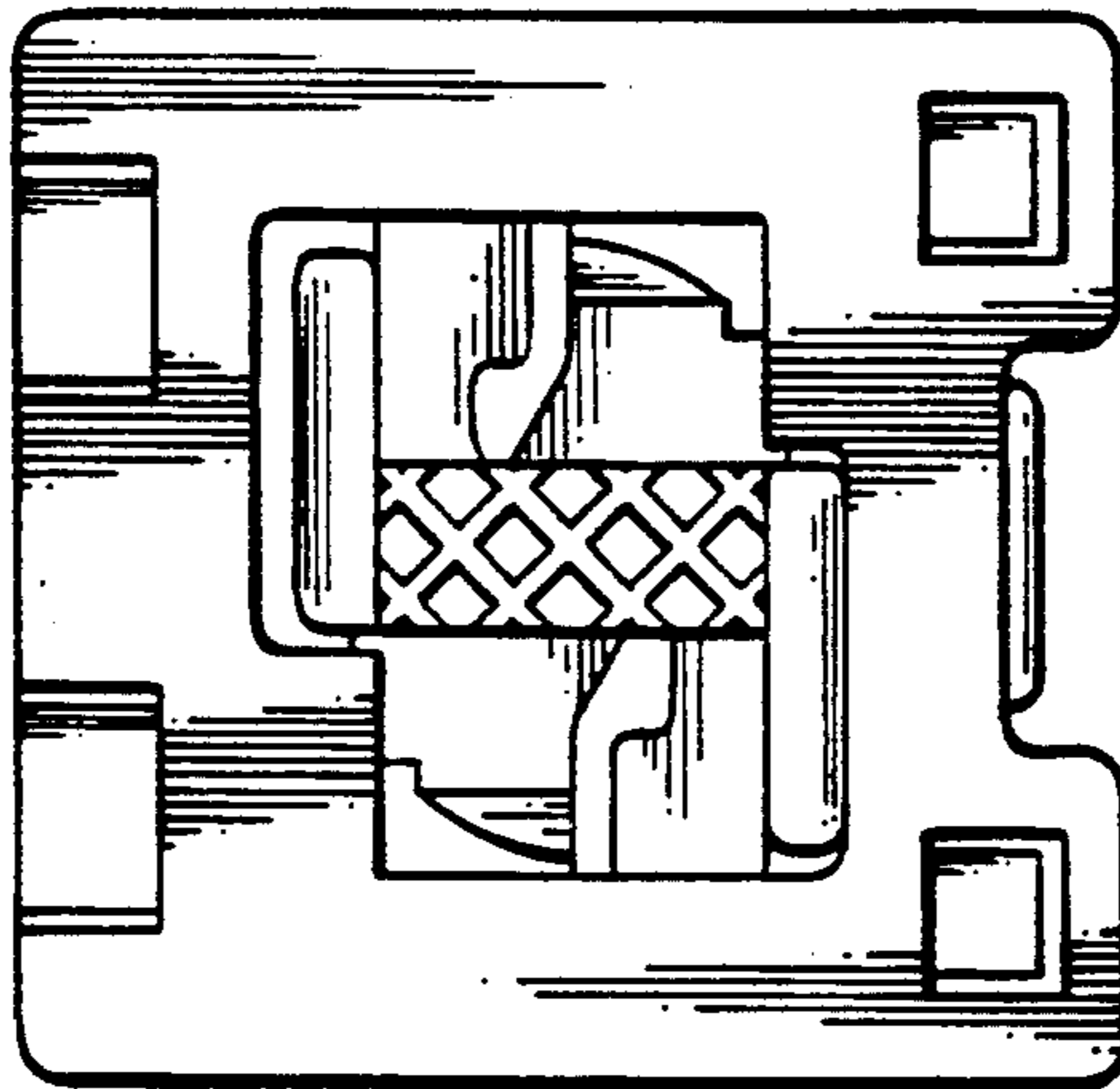
*Fig. 2*



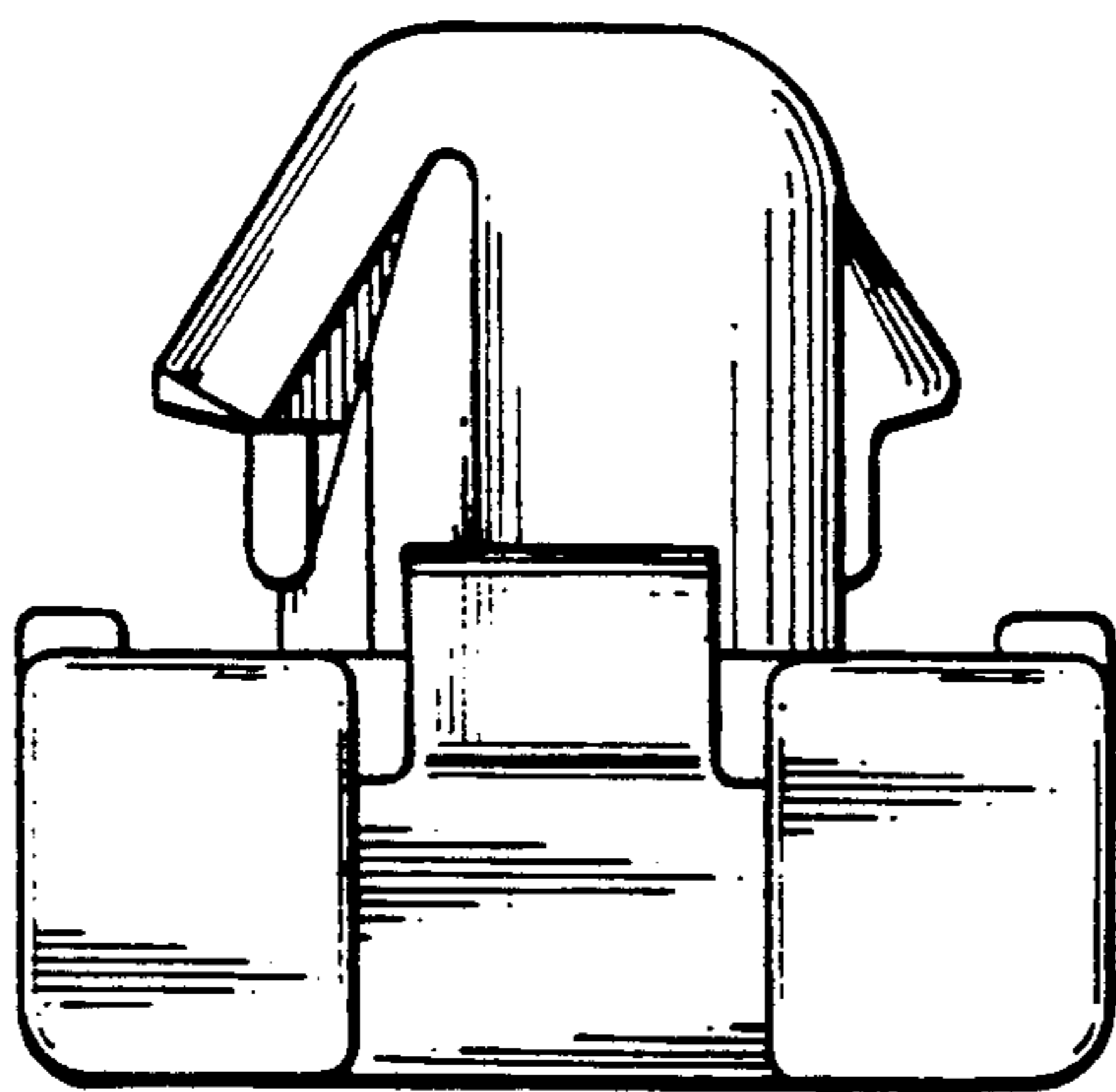
*Fig. 4*



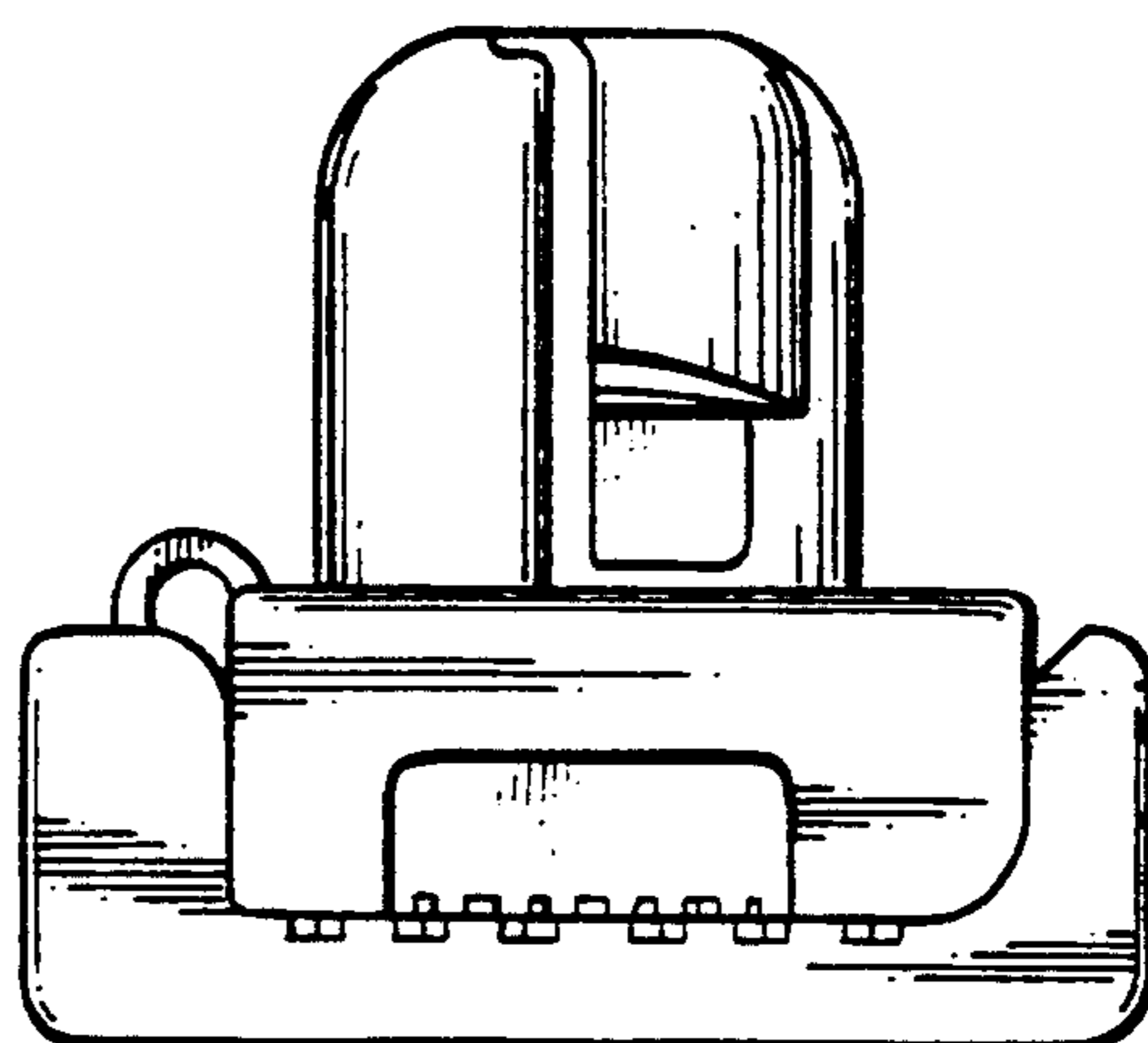
*Fig. 3*



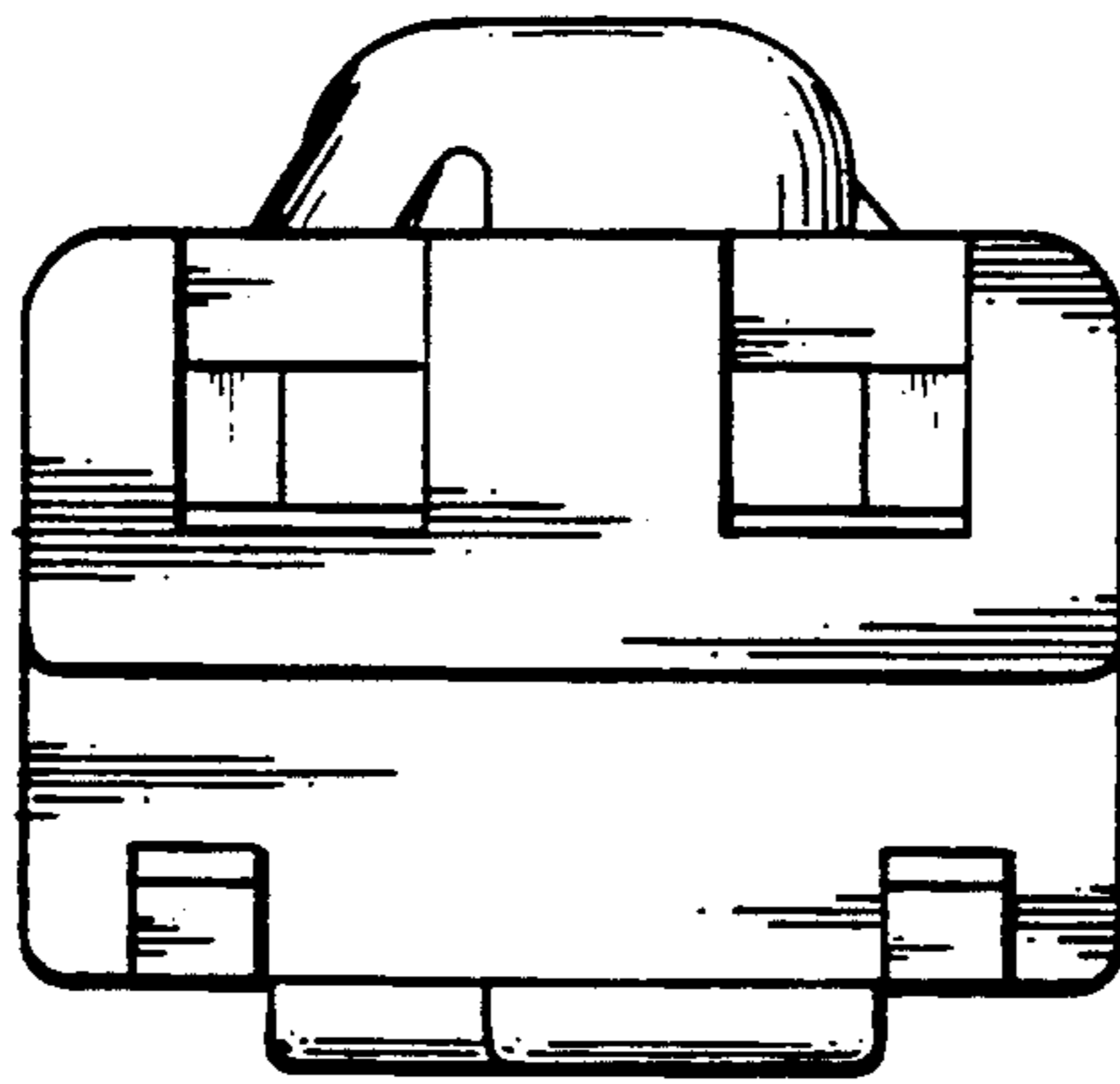
*Fig. 7*



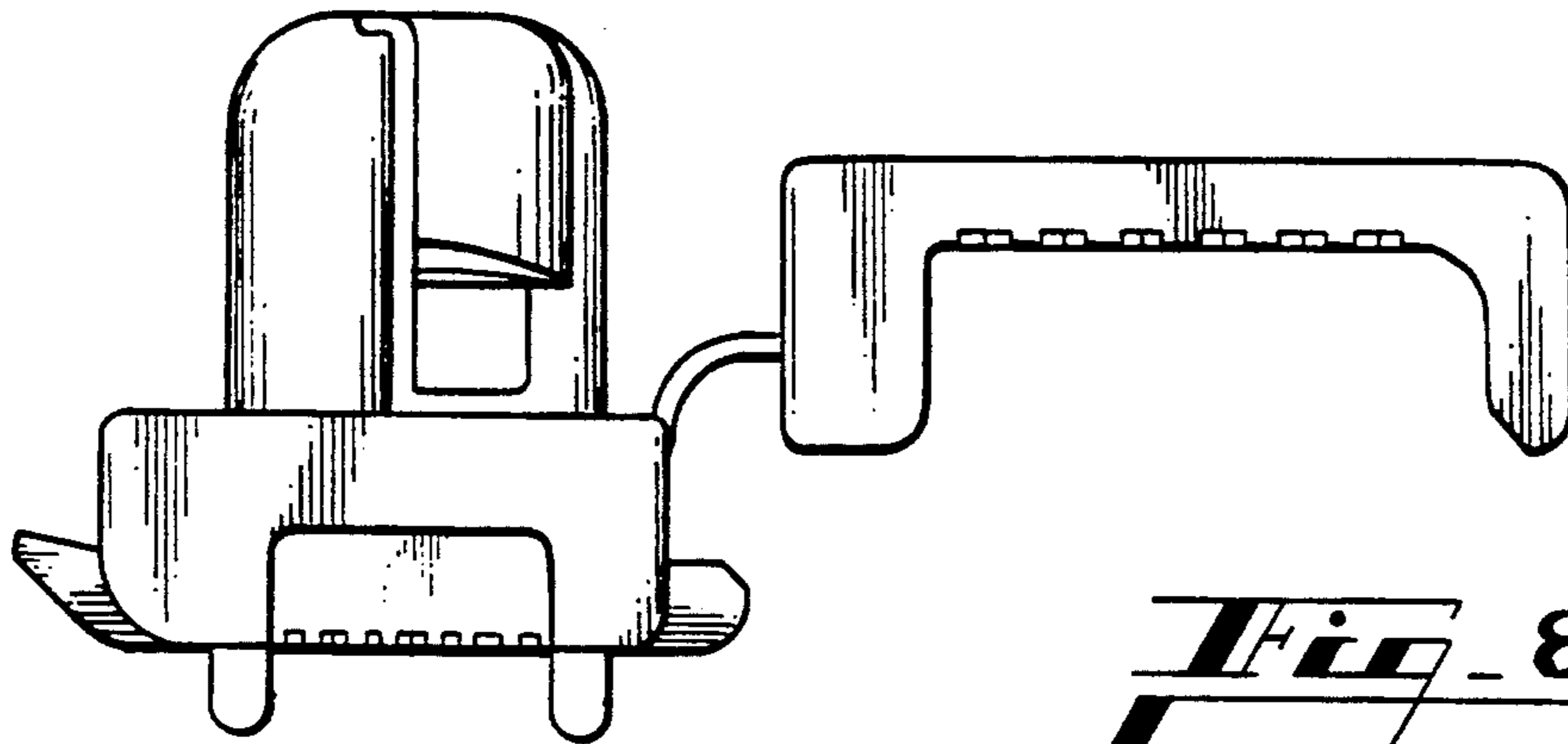
*Fig. 5*



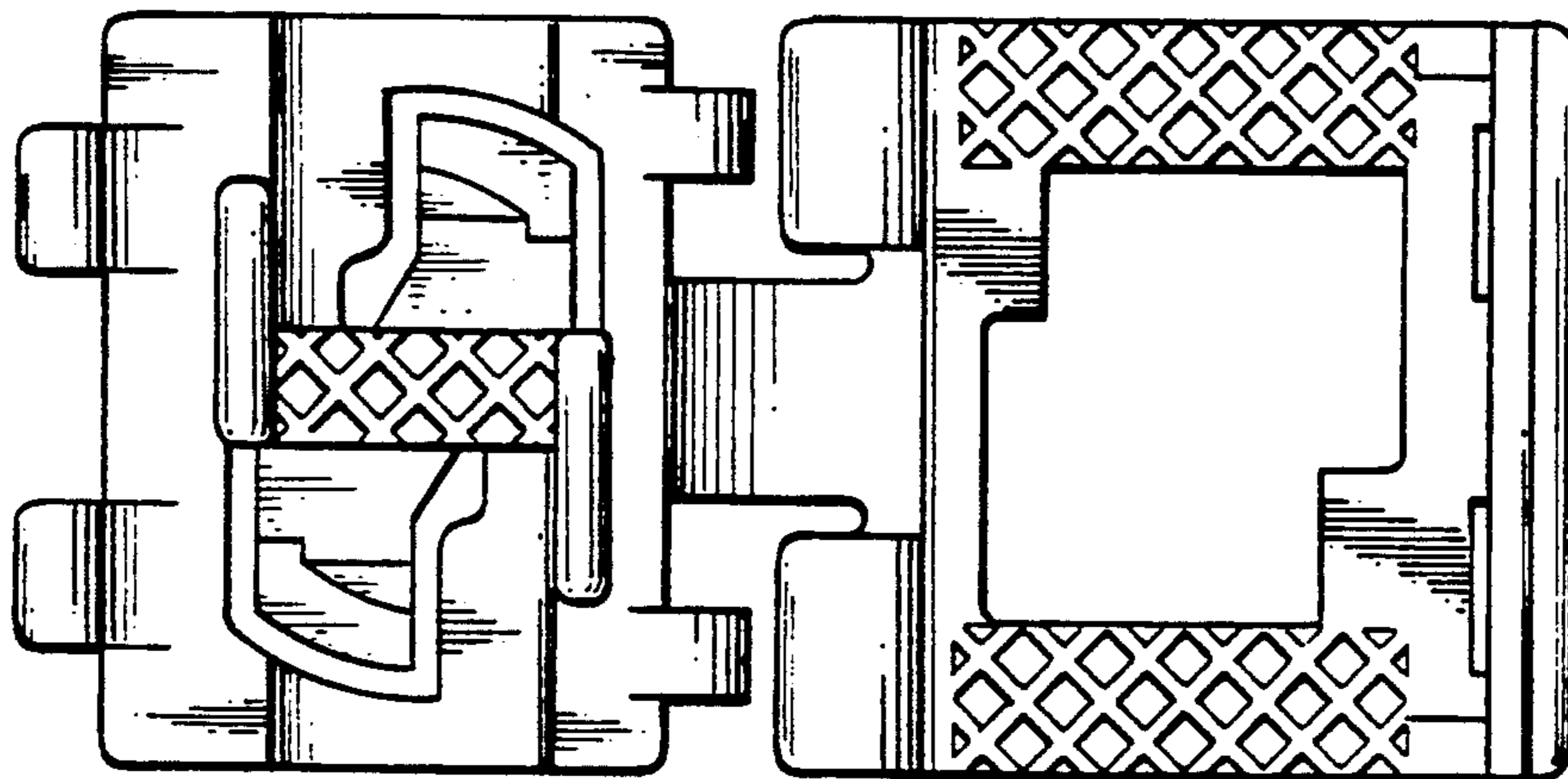
*Fig. 6*



*Fig. 9*



*Fig. 8*



*Fig. 10*