



US00D324988S

United States Patent [19] Walling

[11] Patent Number: **Des. 324,988**

[45] Date of Patent: **** Mar. 31, 1992**

[54] **WINDOW LATCH**

[76] Inventor: **Henry F. Walling**, Rte. 1, Box 42,
Tennessee Ridge, Tenn. 37178

[**] Term: **14 Years**

[21] Appl. No.: **483,421**

[22] Filed: **Feb. 22, 1990**

[52] U.S. Cl. **D8/331; D8/341**

[58] Field of Search **D8/330-331,
D8/339, 341-342; 292/262, 265-266, 268-269,
277**

[56] **References Cited**

U.S. PATENT DOCUMENTS

D. 210,685	4/1968	Johanson	D8/342
D. 276,868	7/1988	Walling	D8/341
2,912,268	11/1959	Markovich	292/262
3,885,846	5/1975	Chuang et al.	292/266 X
4,923,230	5/1990	Simpson	D8/331 X

OTHER PUBLICATIONS

House & Garden (Feb. 1975) p. 145 (Window Safety Lock).

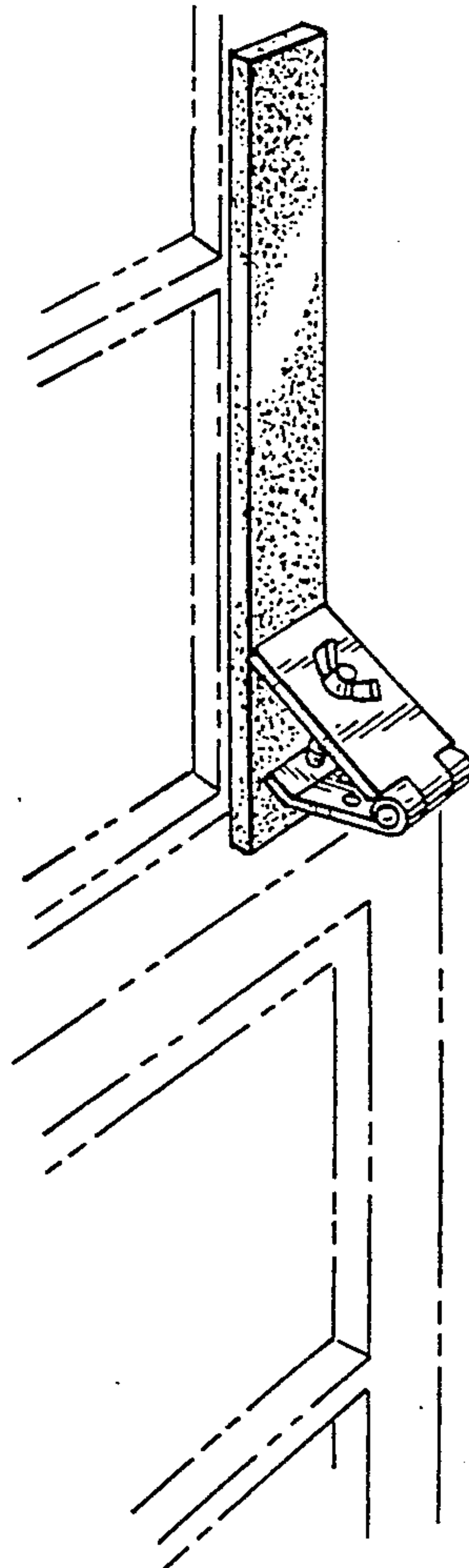
Primary Examiner—Brian N. Vinson

[57] **CLAIM**

The ornamental design for a window latch, as shown and described.

DESCRIPTION

FIG. 1 is a top, front, and left side perspective view of a window latch showing my new design; FIG. 2 is an enlarged top plan view thereof; FIG. 3 is an enlarged left side elevational view thereof; FIG. 4 is an enlarged front elevational view thereof, the rear being plain and unornamented; FIG. 5 is an enlarged right side elevational view thereof; and, FIG. 6 is an enlarged bottom plan view thereof. The broken-line depiction of a fragment of a window in the views is for illustrative purposes only and forms no part of the claimed design.



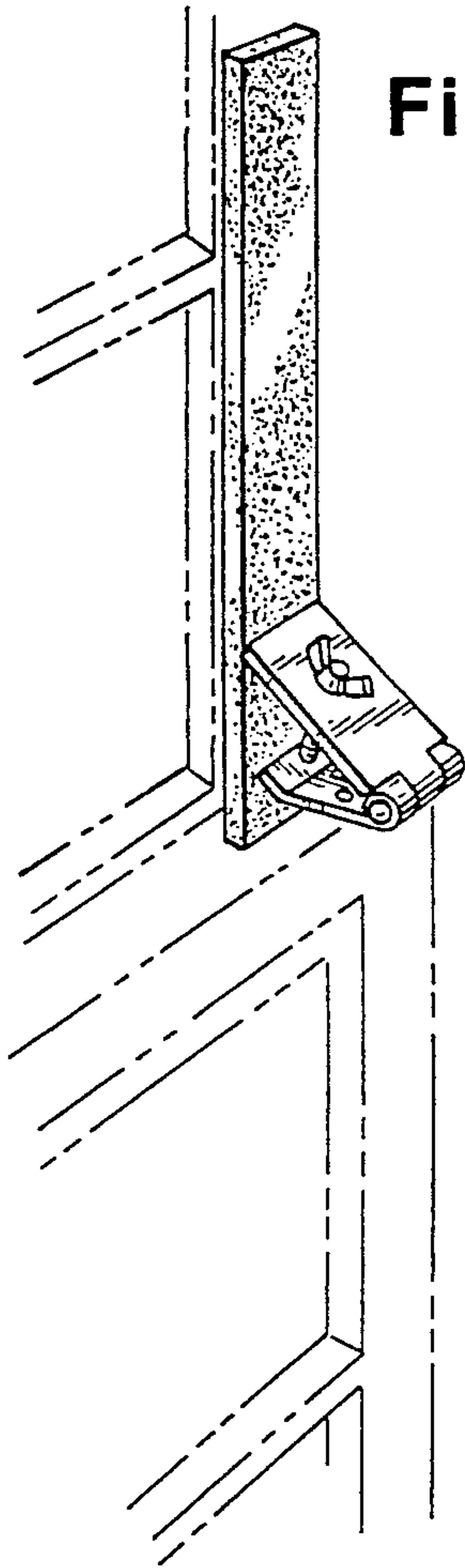


Fig. 1

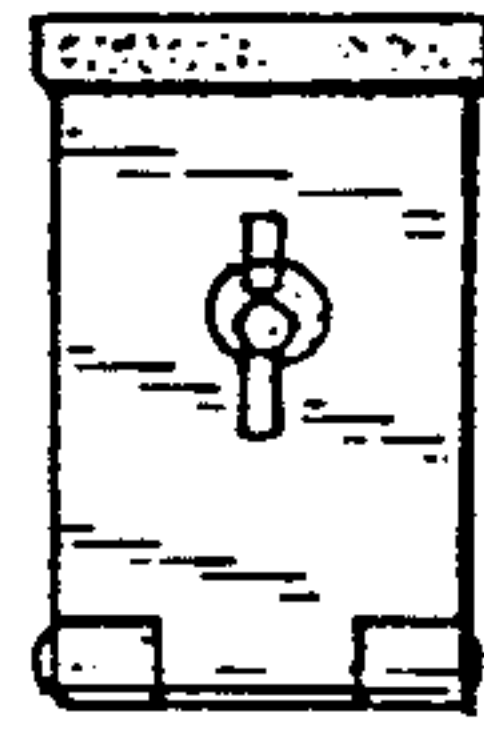


Fig. 2

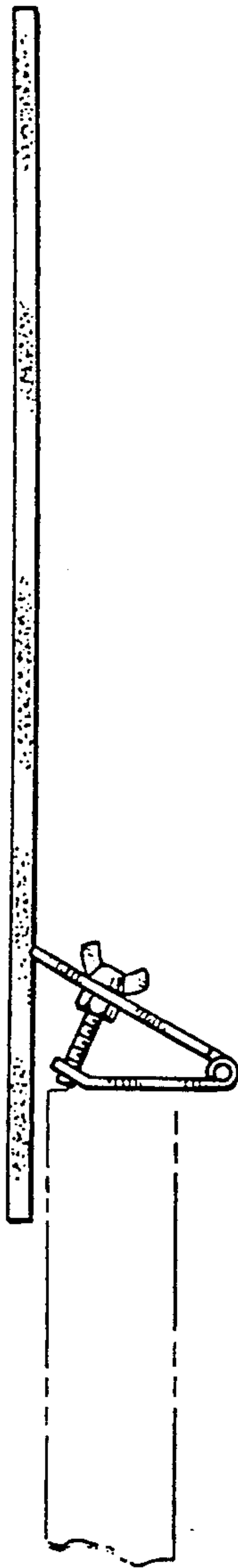


Fig. 3



Fig. 4

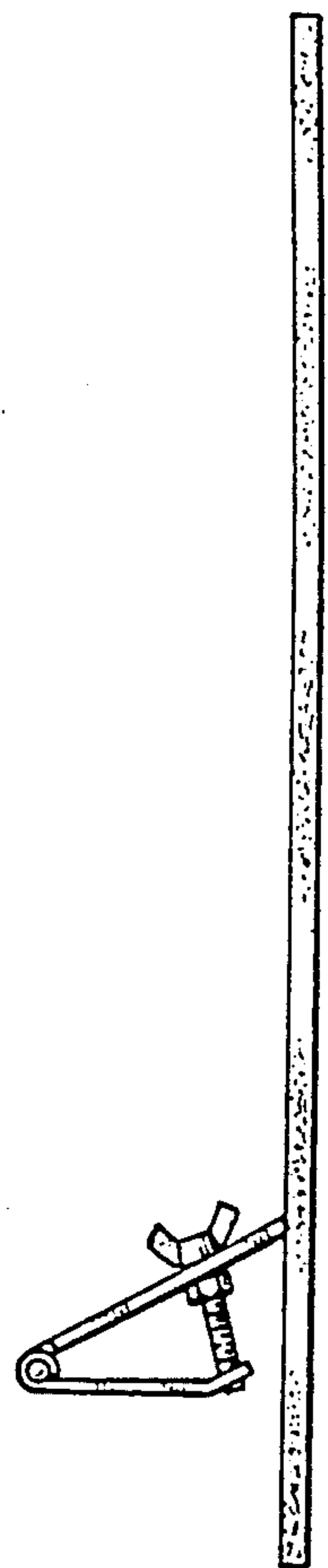


Fig. 5

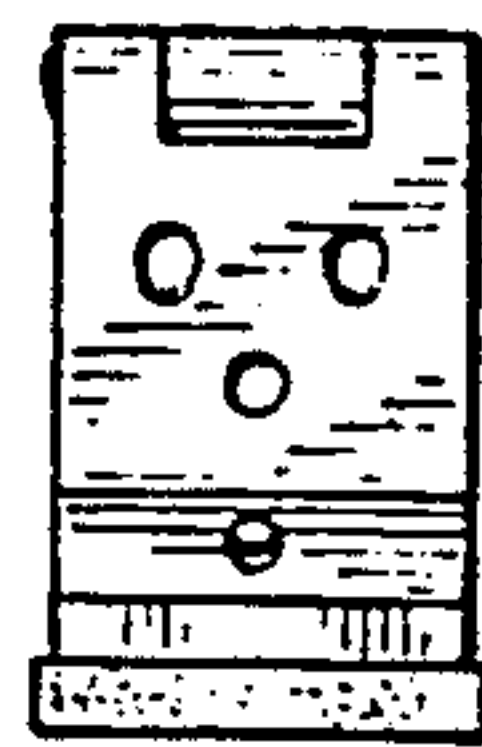


Fig. 6