



US00D324985S

United States Patent [19]

[11] Patent Number: **Des. 324,985**

Hattle et al.

[45] Date of Patent: **** Mar. 31, 1992**

[54] **KNIFE SHARPENER**

[75] Inventors: **Sally A. Hattle, Wilmington, Del.;
Don R. McCloskey, Stratford, Conn.**

[73] Assignee: **Black & Decker Inc., Newark, Del.**

[**] Term: **14 Years**

[21] Appl. No.: **343,943**

[22] Filed: **Apr. 26, 1989**

D. 232,516	8/1974	Smith	D8/63
D. 280,286	8/1985	Asten	D8/93
D. 295,132	4/1988	Blochlinger et al.	D8/93
D. 309,415	7/1990	Shimizu	D8/63
2,707,852	5/1955	Fillweber	51/80

OTHER PUBLICATIONS

Houseware Cat. dated 1-1986, p. 9, Knife/Scissor Sharpener.

Primary Examiner—Bruce W. Dunkins

Assistant Examiner—J. H. Musgrove

Attorney, Agent, or Firm—Barry E. Deutsch

Related U.S. Application Data

[63] Continuation-in-part of Ser. No. 87,911, Aug. 21, 1987, abandoned.

[52] U.S. Cl. **D8/93; D8/70**

[58] Field of Search **D8/63, 90-93;
51/80 BS, 84 BS, 98 BS, 109 BS, 211 H, 214,
205 WG; 76/82, 85, 83**

[57] CLAIM

The ornamental design for an knife sharpener, as shown and described.

DESCRIPTION

FIG. 1 is a front top and right side perspective view of a knife sharpener showing my new design. The broken lines are for illustrative purposes only and form no part of the claimed design;

FIG. 2 is a front elevational view;

FIG. 3 is a right side elevational view;

FIG. 4 is a bottom plan view;

FIG. 5 is a right elevational view; and,

FIG. 6 is a rear elevational view thereof.

[56] References Cited

U.S. PATENT DOCUMENTS

D. 182,241	3/1958	Madl	D8/63
D. 192,434	3/1962	Rawson et al.	D8/63
D. 202,908	11/1965	Franciscus et al.	D8/63
D. 218,008	7/1970	Joachim et al.	D8/63
D. 228,871	10/1973	Pollard	D8/93

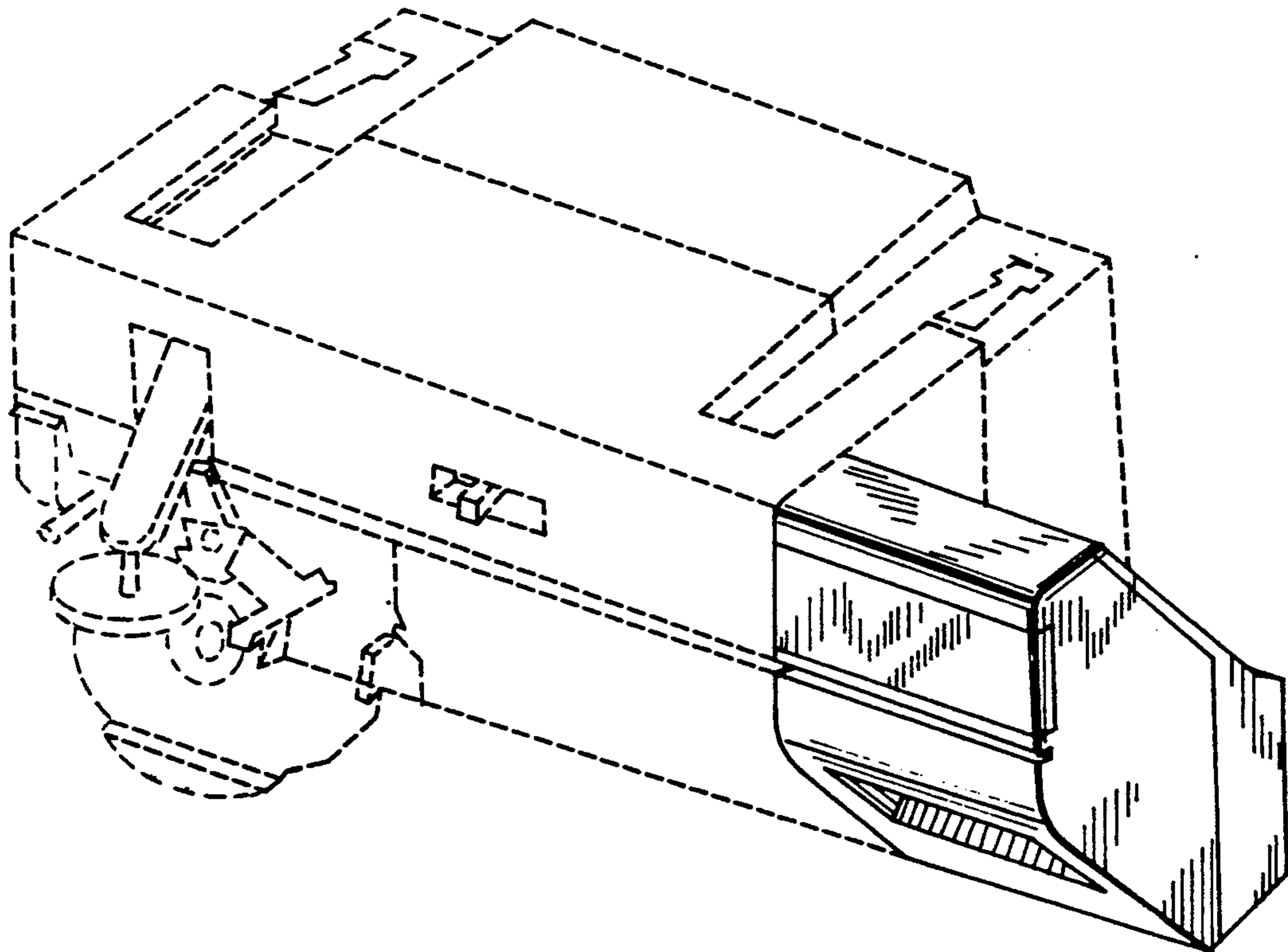


FIG. 1

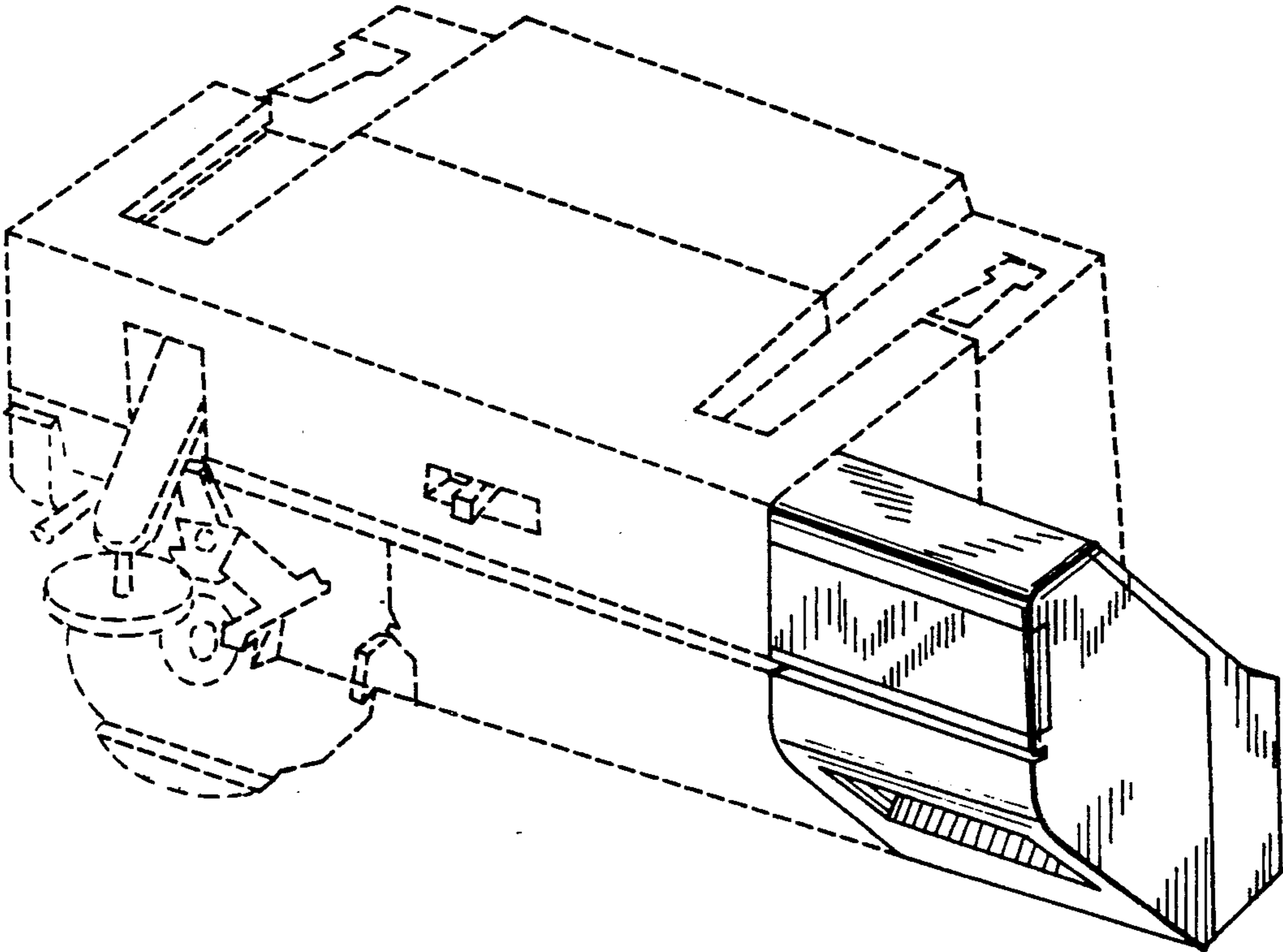


FIG. 2

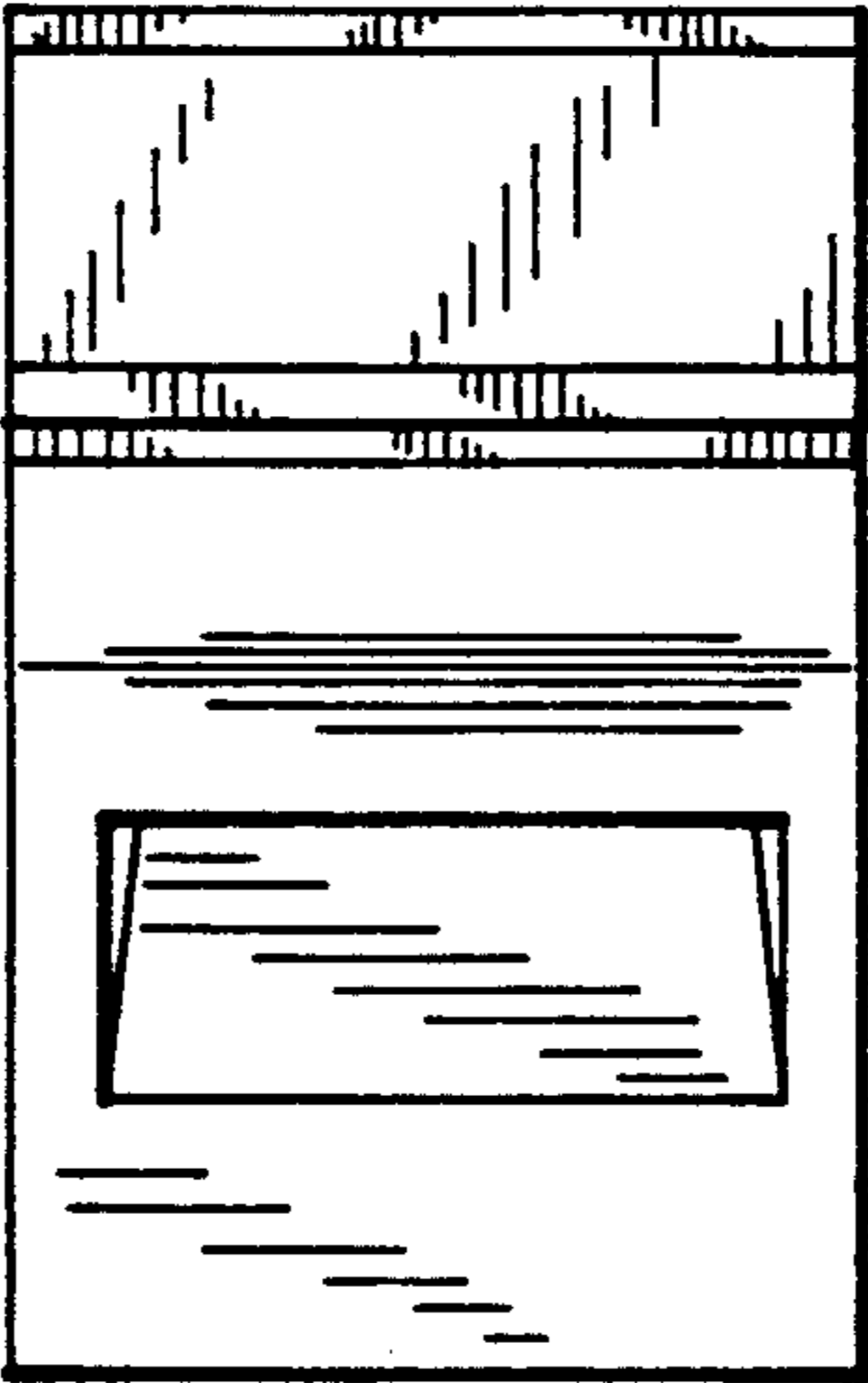


FIG. 3

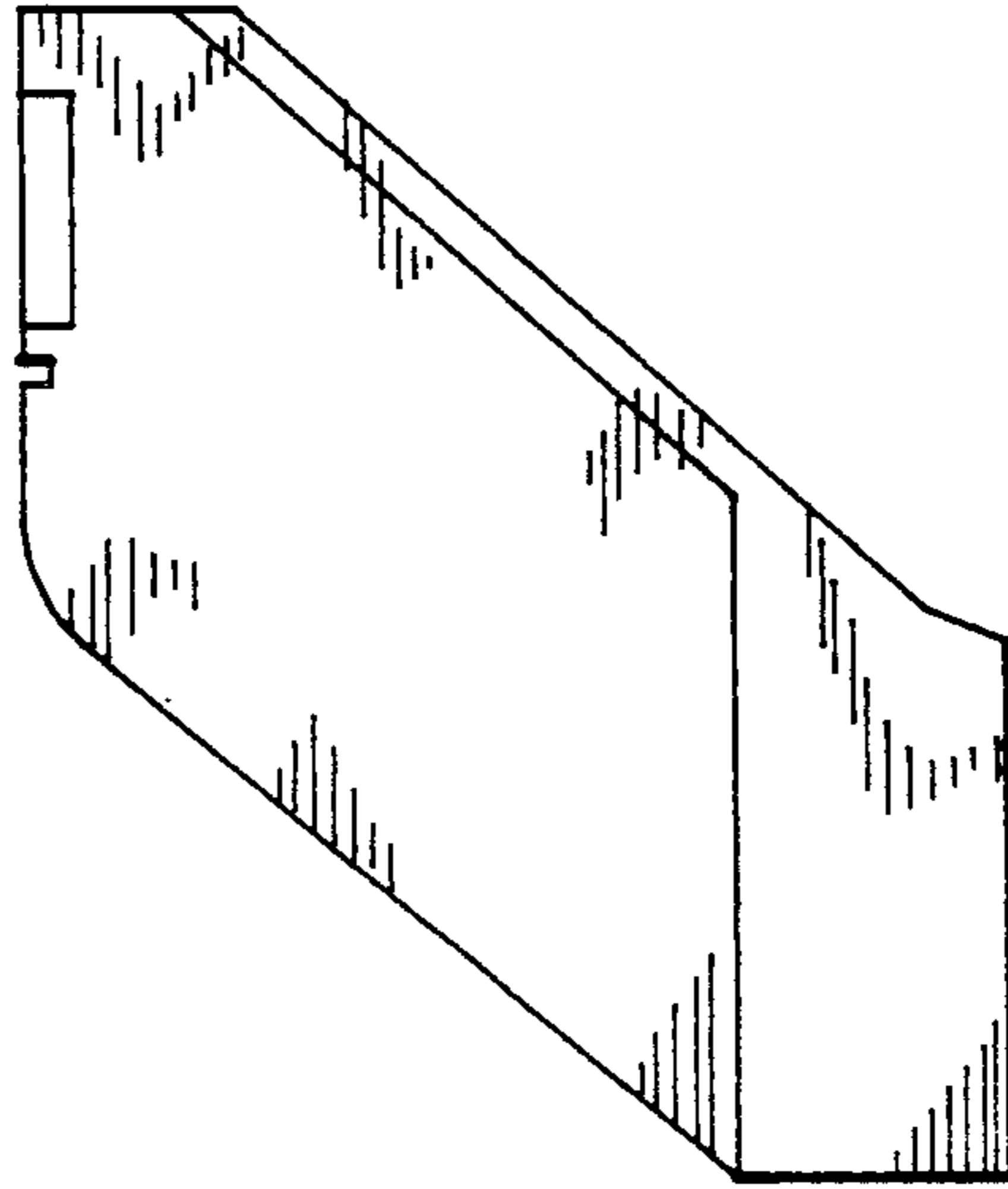


FIG. 4

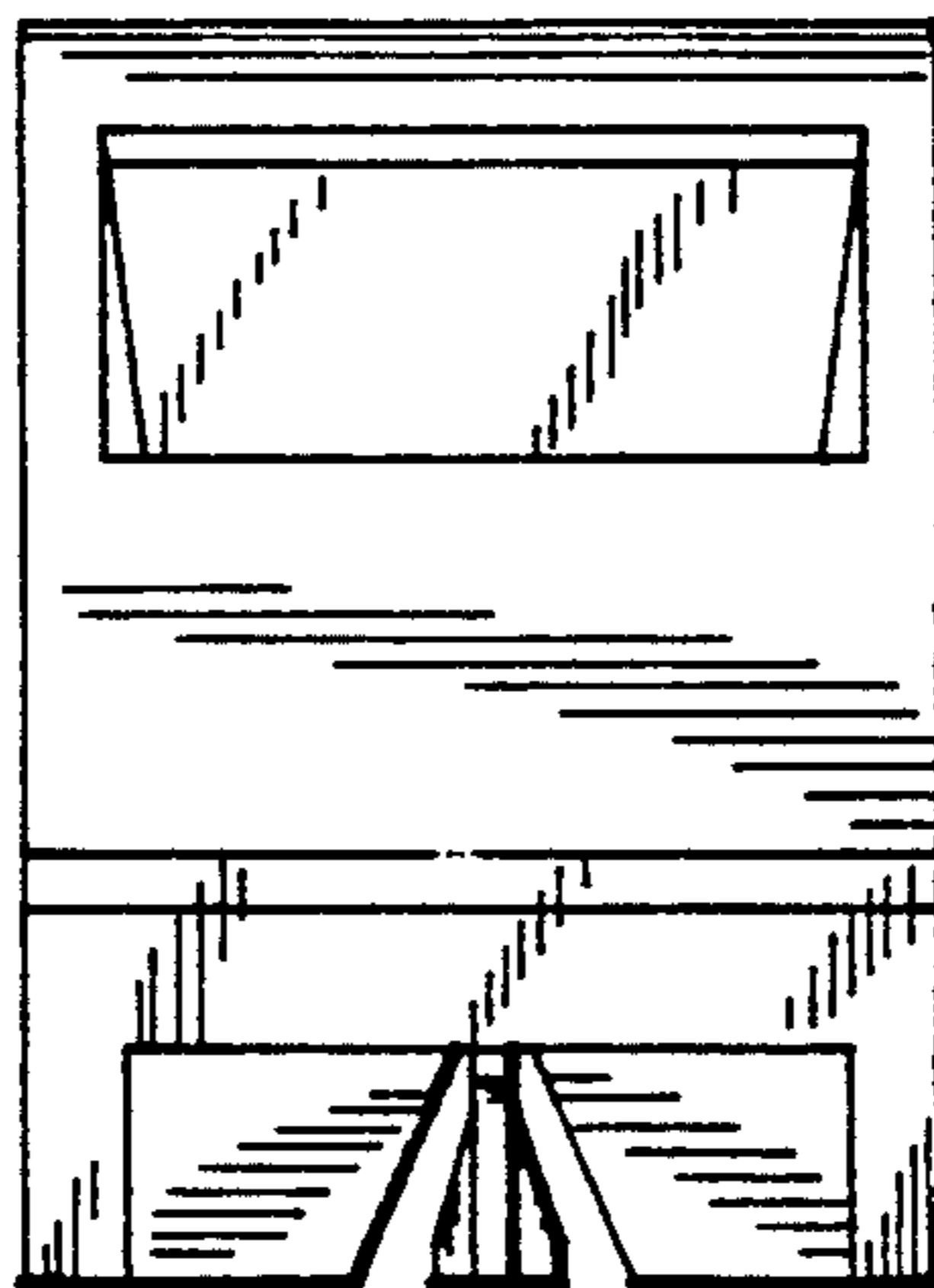


FIG. 5

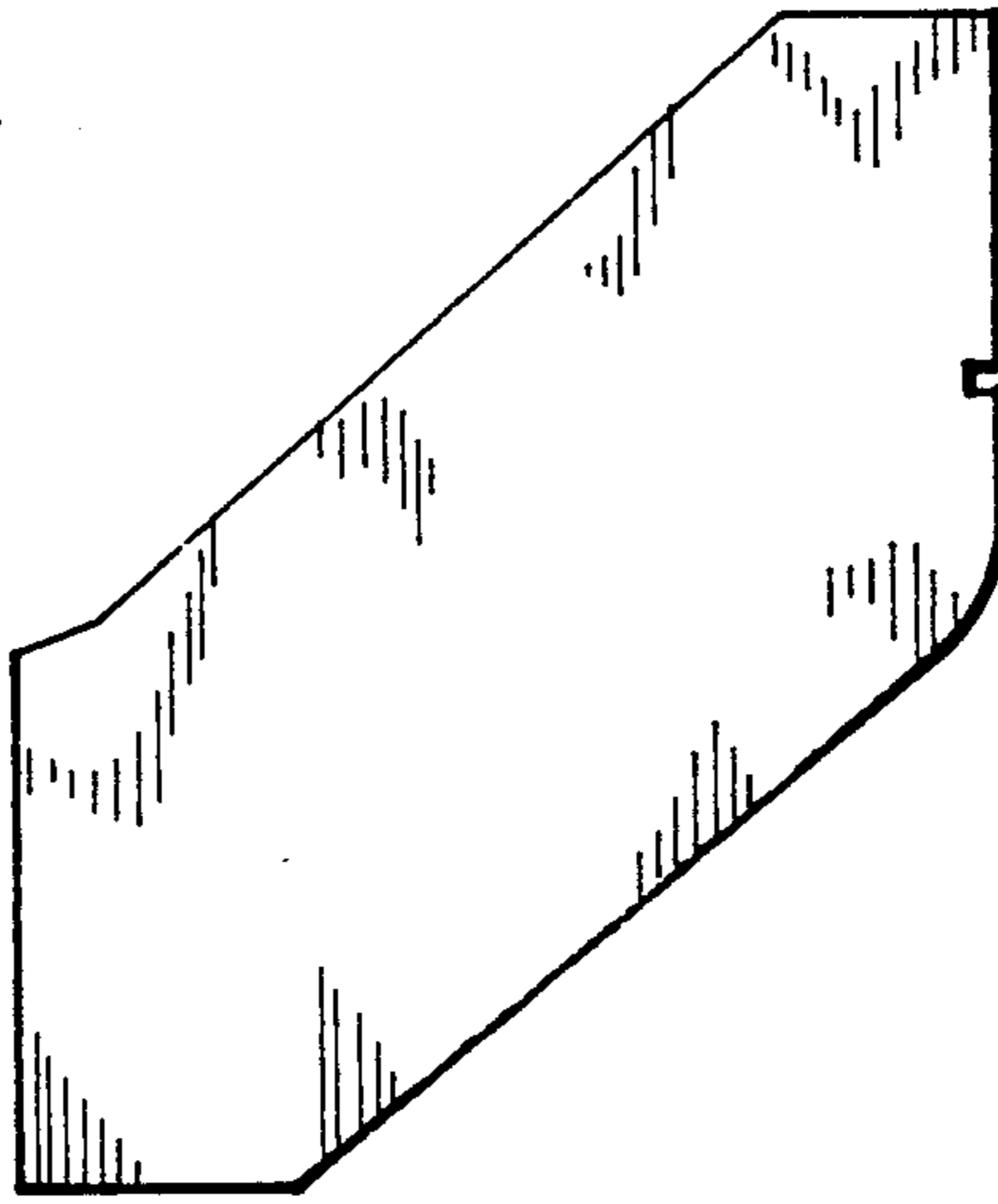


FIG. 6

