



US00D324982S

# United States Patent [19]

Mikiya et al.

[11] Patent Number: **Des. 324,982**

[45] Date of Patent: **\*\* Mar. 31, 1992**

[54] AIR-OPERATED CHAMFERING TOOL

[75] Inventors: **Toshio Mikiya; Katsunobu Kishi,**  
both of Tokyo, Japan

[73] Assignee: **Nitto Kohki Co., Ltd., Tokyo, Japan**

[\*\*] Term: **14 Years**

[21] Appl. No.: **417,845**

[22] Filed: **Oct. 6, 1989**

[30] Foreign Application Priority Data

Apr. 18, 1989 [JP] Japan ..... 1-14104

[52] U.S. Cl. .... **D8/62**

[58] Field of Search ..... D15/127, 131, 132;  
D8/61, 62; 144/134 D, 136 C; 409/180, 204,  
138, 178

[56] References Cited

U.S. PATENT DOCUMENTS

D. 287,330 12/1986 Kardin et al. .... D8/62

D. 297,907 10/1988 Hoshimo et al. .... D8/62  
4,850,407 7/1989 Inkster et al. .... 144/134 D X  
4,891,915 1/1990 Yasuda ..... D8/62 X  
4,938,264 7/1990 Ferenczffy ..... 144/134 D  
5,028,179 7/1991 Grasset ..... 409/180

*Primary Examiner*—Bruce W. Dunkins  
*Assistant Examiner*—Antoine D. Davis  
*Attorney, Agent, or Firm*—Nixon & Vanderhye

## [57] CLAIM

The ornamental design for air-operated chamfering tool, as shown.

## DESCRIPTION

FIG. 1 is a perspective view of an air-operated chamfering tool showing our new design; FIG. 2 is a right side elevational view; FIG. 3 is a front elevational view; FIG. 4 is a top plan view; FIG. 5 is a rear elevational view; FIG. 6 is a left side elevational view; and, FIG. 7 is a bottom plan view thereof.

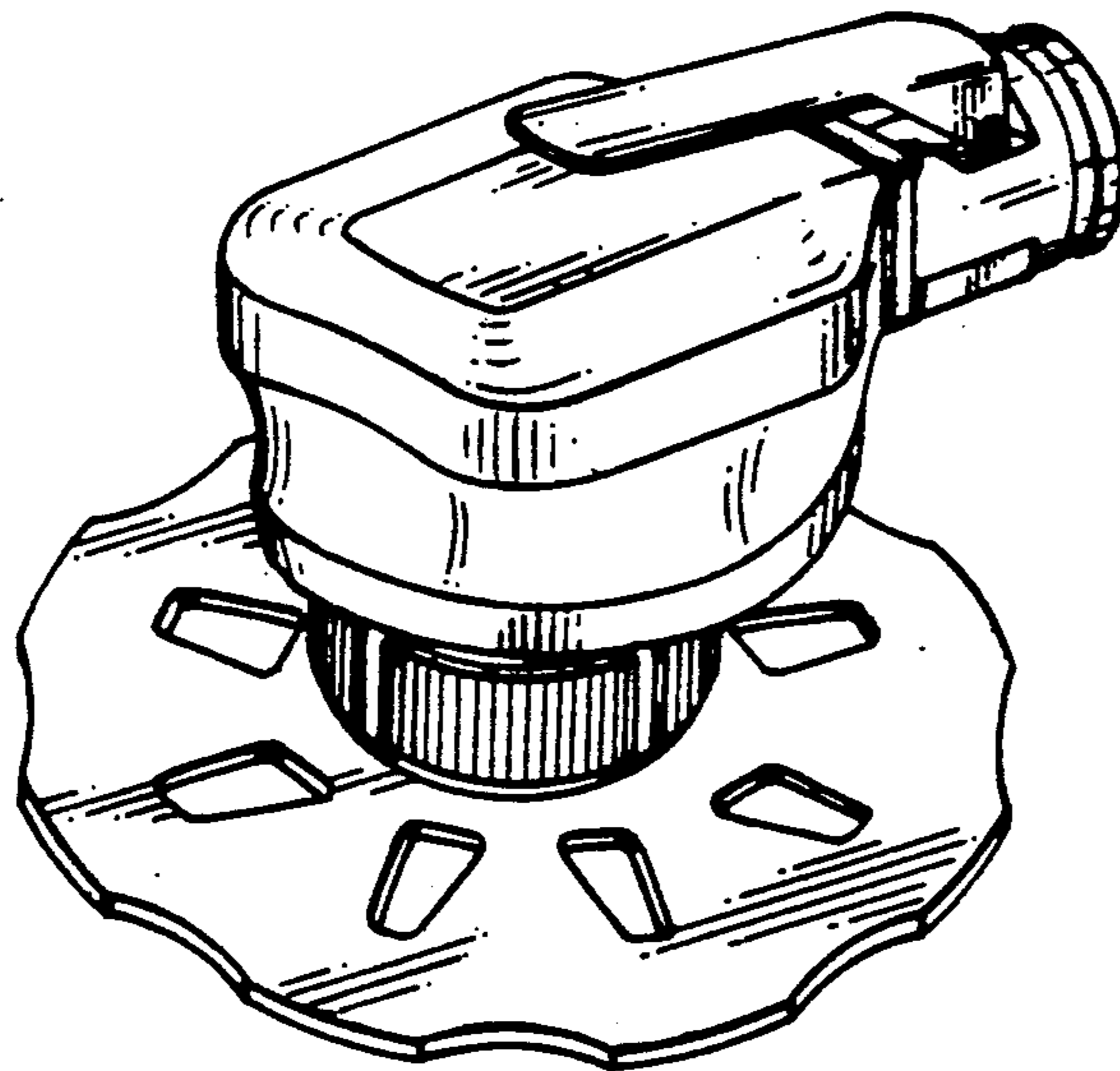


FIG. 1

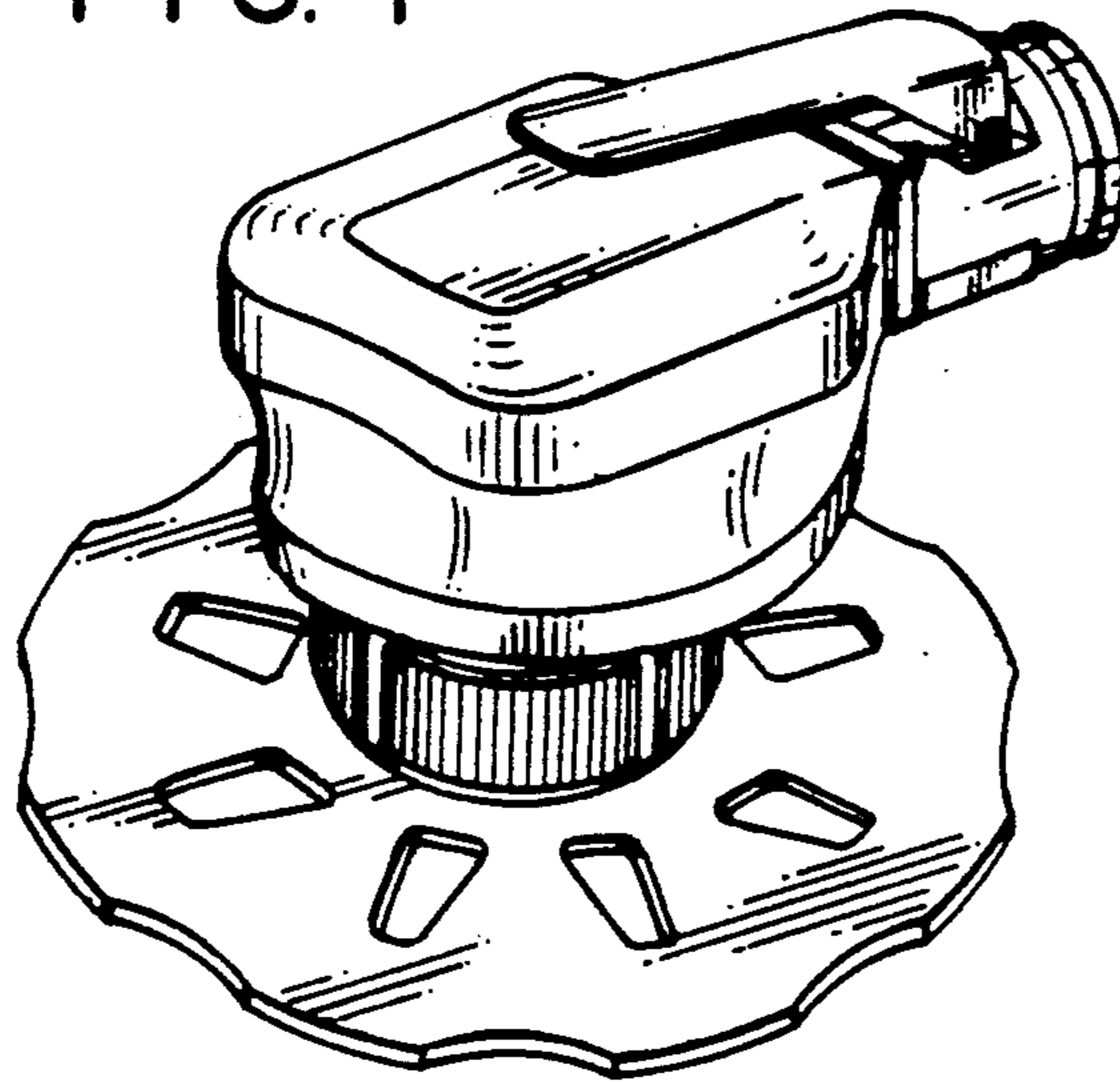


FIG. 2

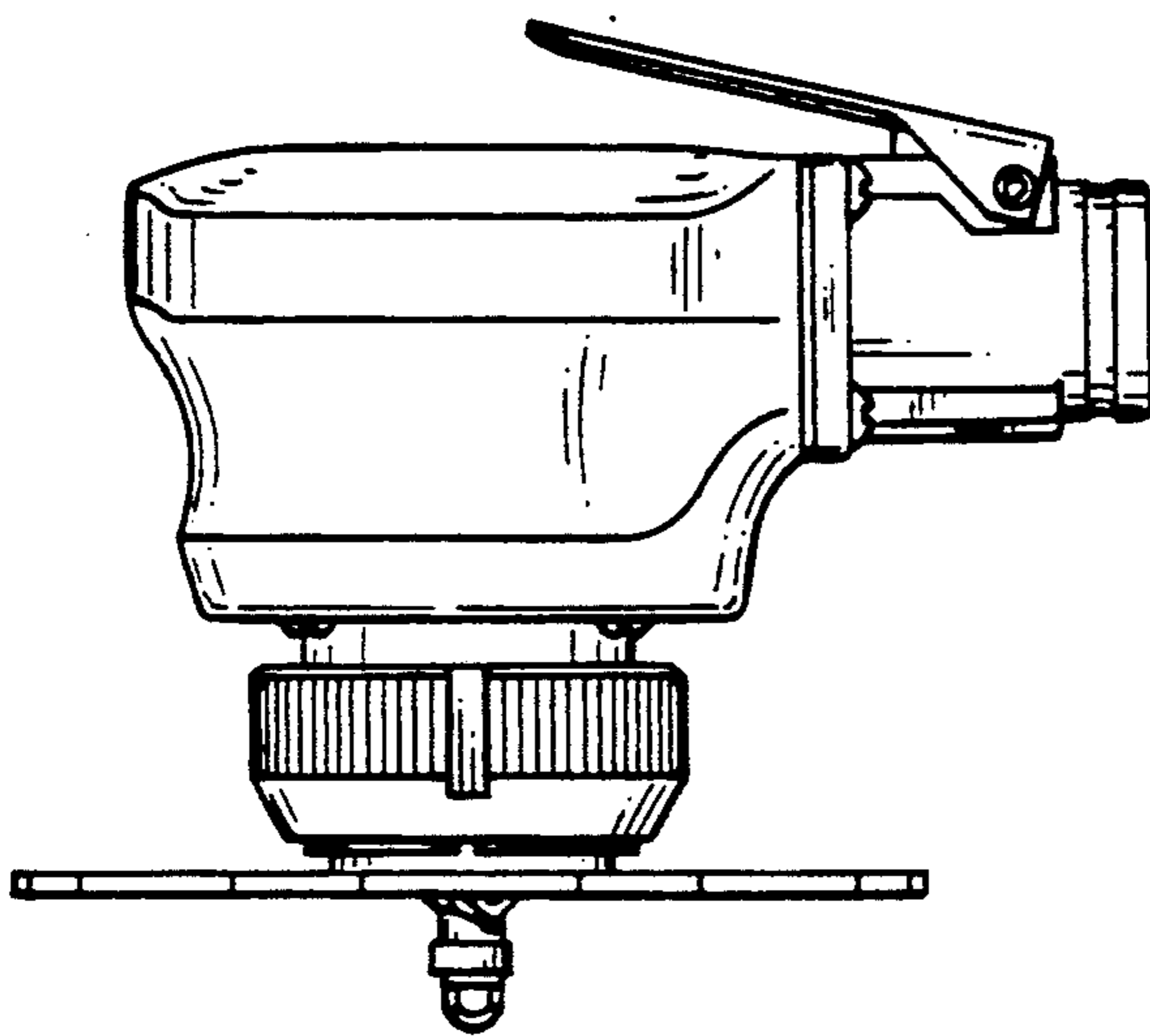


FIG. 3

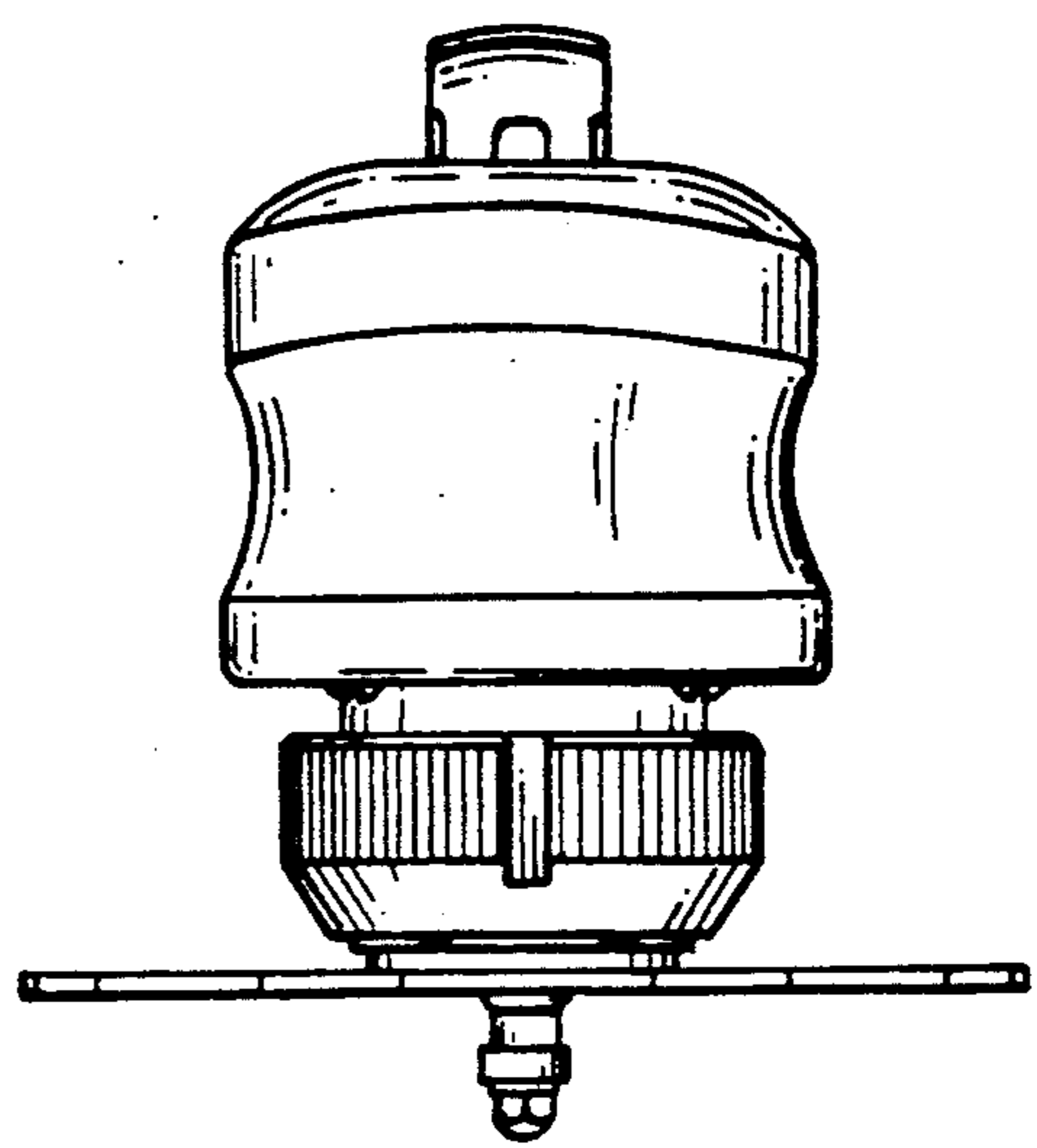


FIG. 4

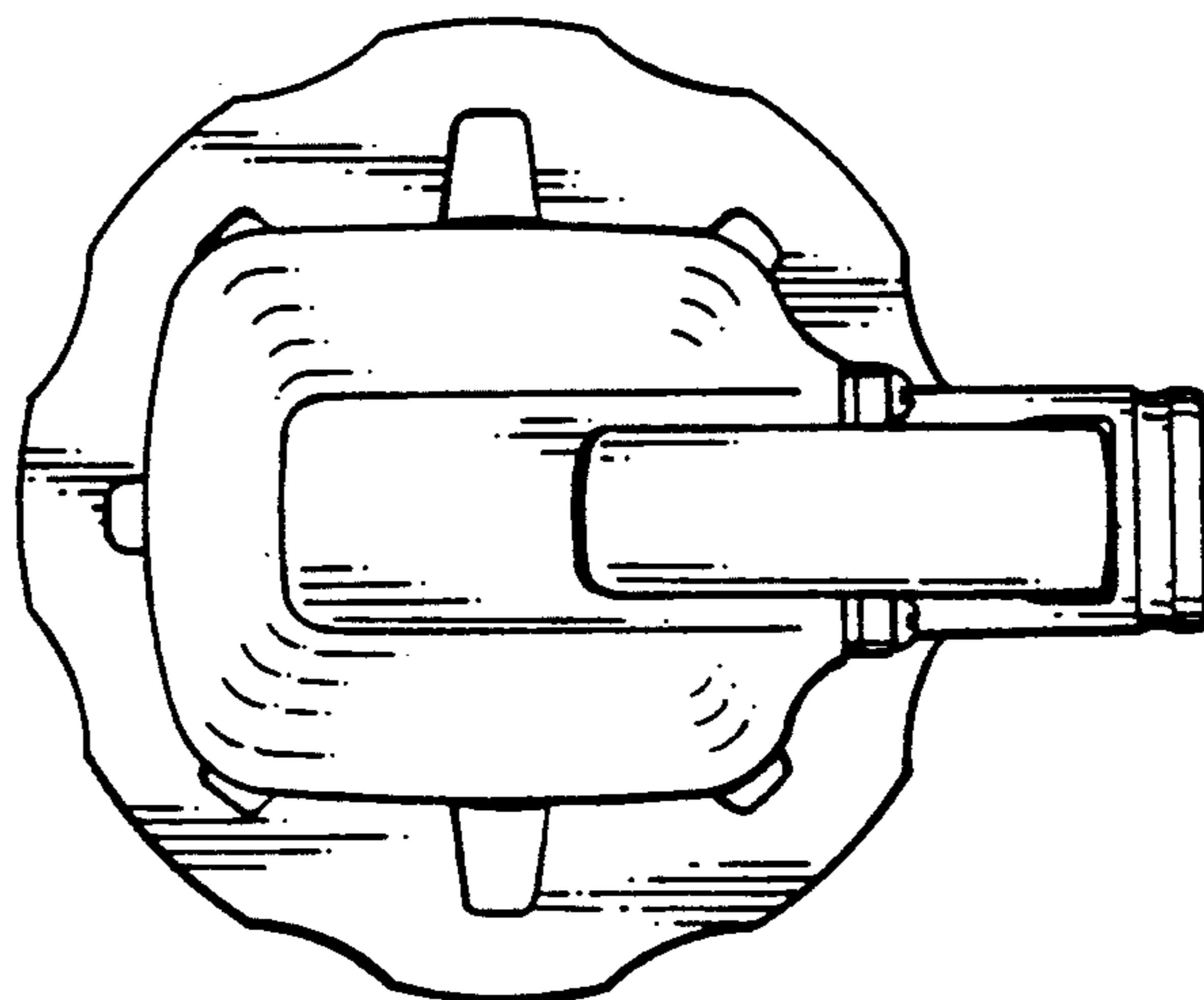


FIG. 5

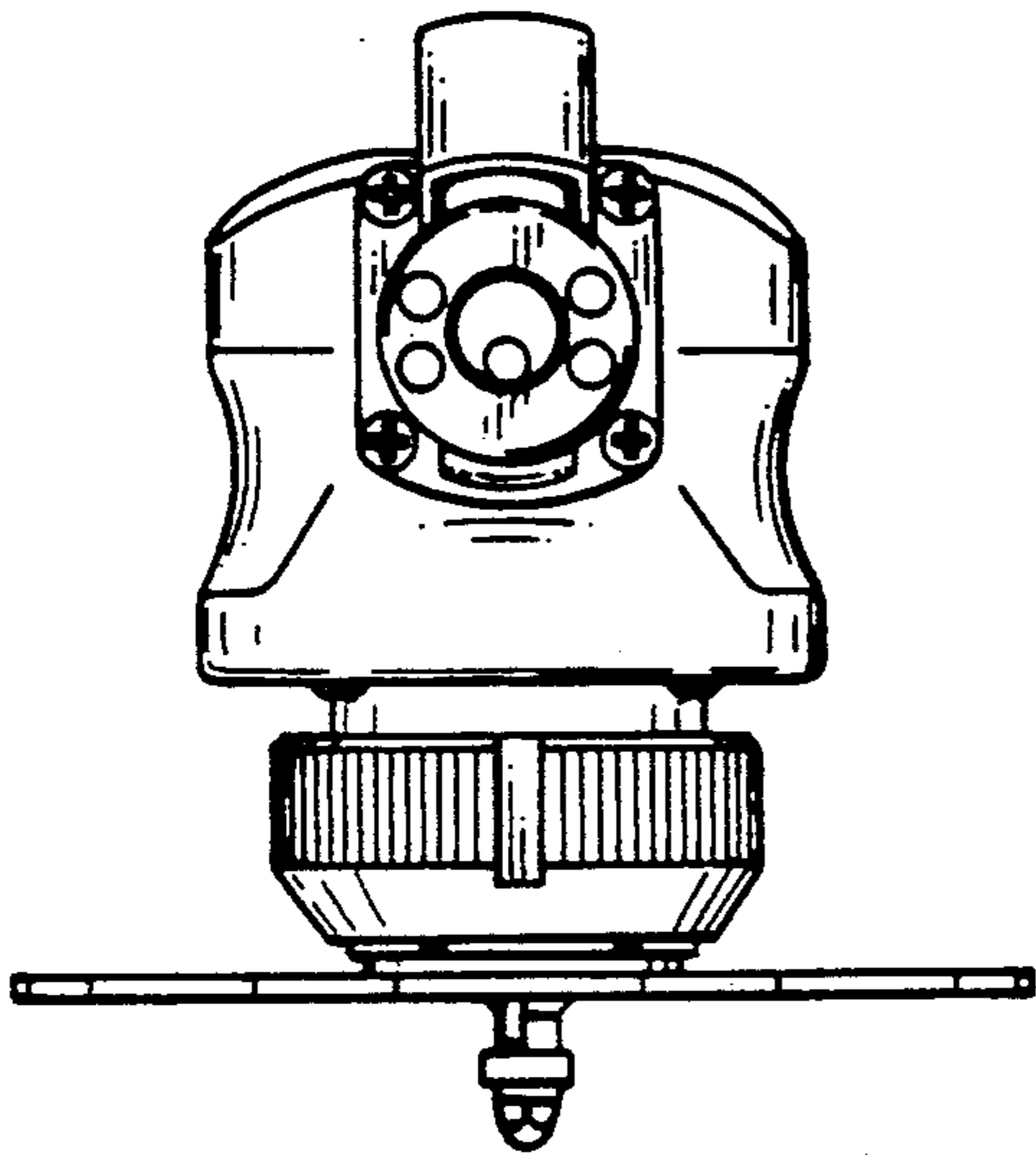


FIG. 6

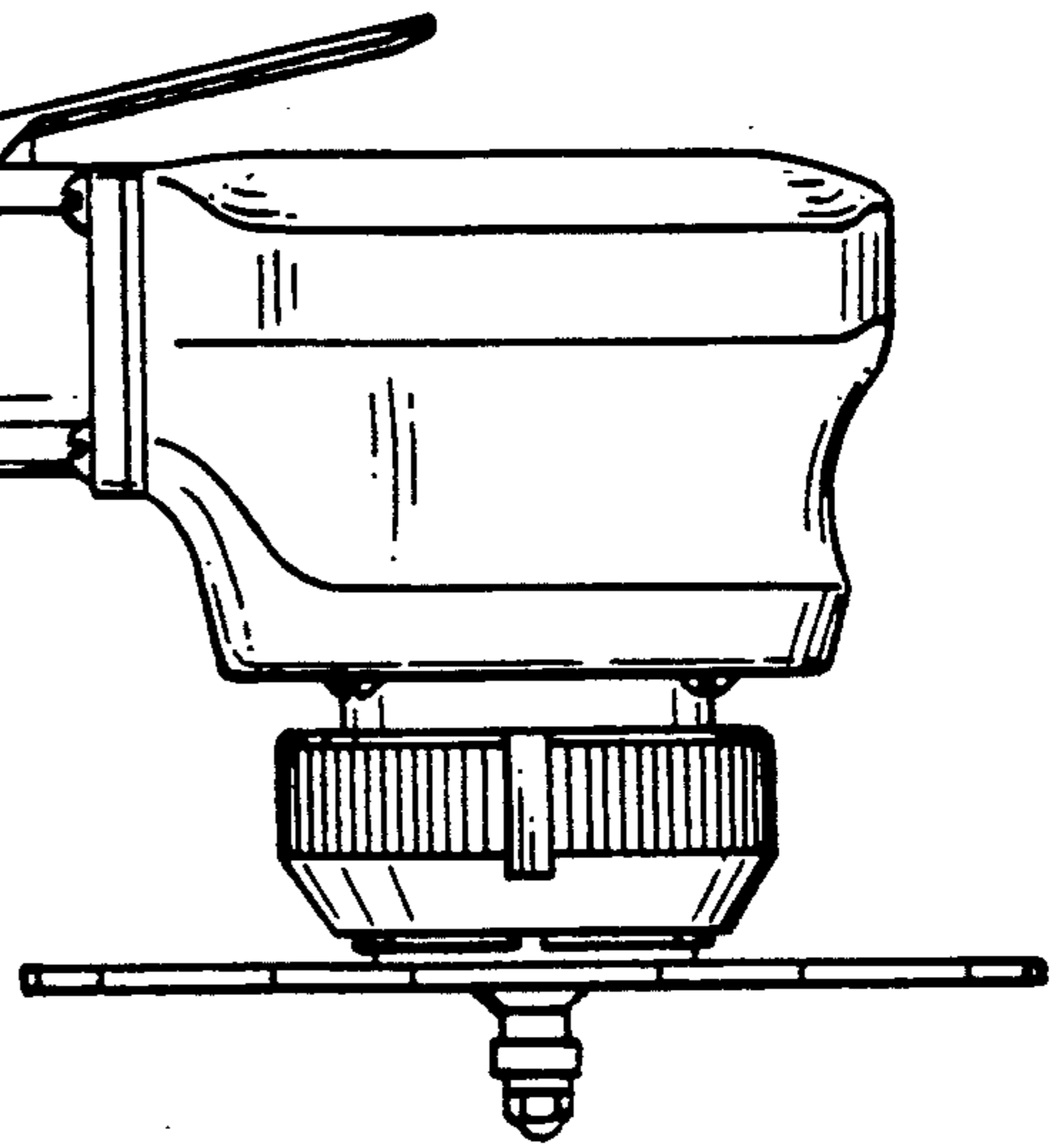


FIG. 7

