



US00D324979S

United States Patent [19]

Aguirre

[11] Patent Number: **Des. 324,979**

[45] Date of Patent: **** Mar. 31, 1992**

[54] **COMBINED ICE SHAVER AND SCOOP**

[76] Inventor: **Pauline S. Aguirre**, 309 S. El Paso St.,
El Paso, Tex. 79901

[**] Term: **14 Years**

[21] Appl. No.: **410,230**

[22] Filed: **Sep. 21, 1989**

[52] U.S. Cl. **D7/669**

[58] Field of Search **D7/669, 678, 688, 691-692;**
30/136, 136.5; 241/168, DIG. 17

1,639,122 8/1927 Whitman 425/281
 2,146,419 2/1939 Clarke 30/136.5
 2,558,335 3/1948 Bert 30/136.5

Primary Examiner—Terry A. Pfeffer
Attorney, Agent, or Firm—Richards, Medlock &
 Andrews

[57] **CLAIM**

The ornamental design for a combined ice shaver and scoop, as shown and described.

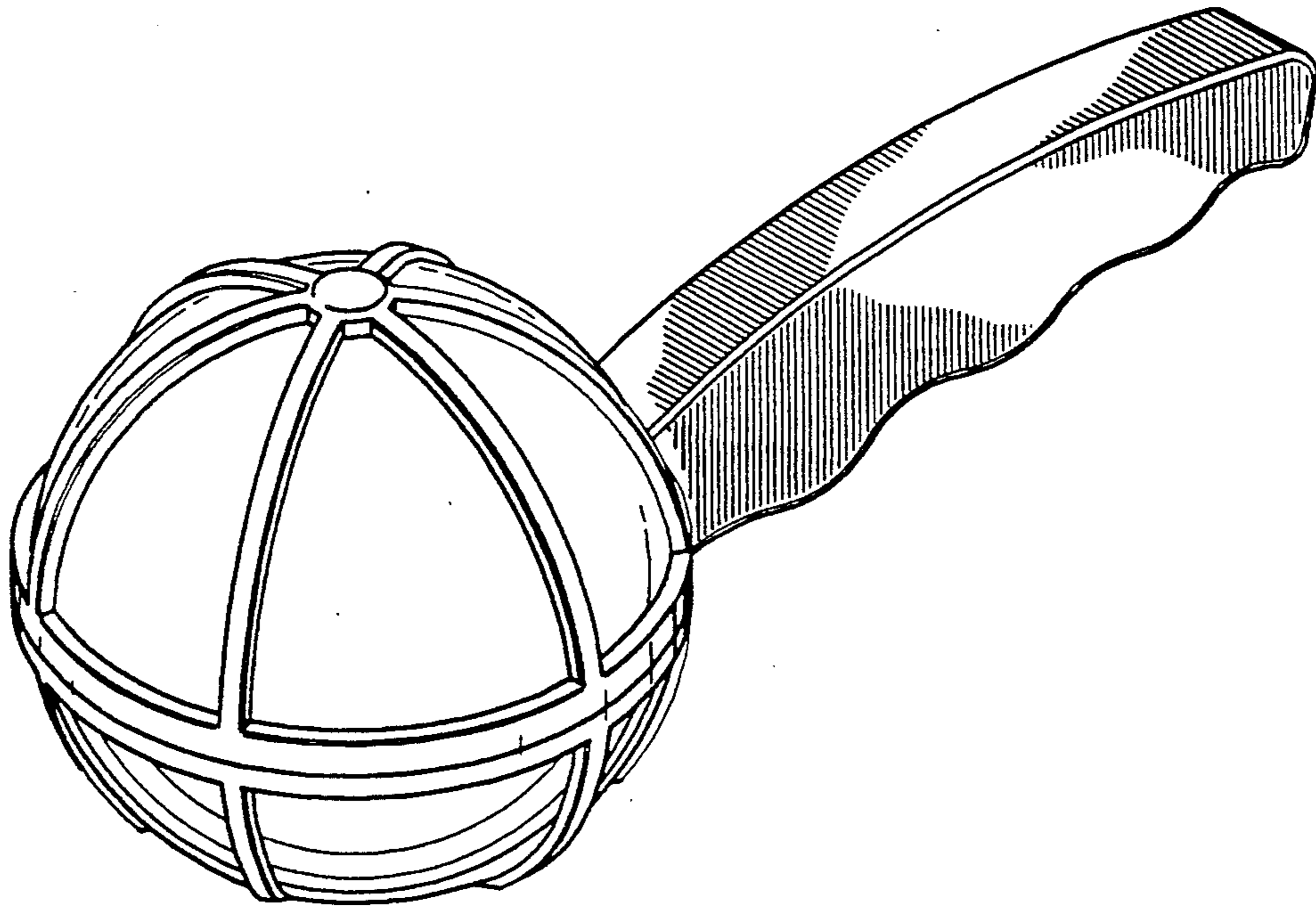
DESCRIPTION

FIG. 1 is a perspective view of a combined ice shaver and scoop showing my new design;
 FIG. 2 is a left side elevational view thereof;
 FIG. 3 is a front elevational view thereof;
 FIG. 4 is a right side elevational view thereof;
 FIG. 5 is a rear elevational view thereof;
 FIG. 6 is a top plan view thereof; and,
 FIG. 7 is a bottom plan view thereof.

[56] **References Cited**

U.S. PATENT DOCUMENTS

D. 198,580	7/1964	Swett et al.	D7/672
500,923	7/1893	Mabbett	30/136.5
587,230	7/1987	Pancoast	30/136.5
719,966	2/1903	Williams	30/136.5
1,431,344	10/1922	Van Sant	30/136.5
1,505,448	8/1924	Van Sant	30/136.5



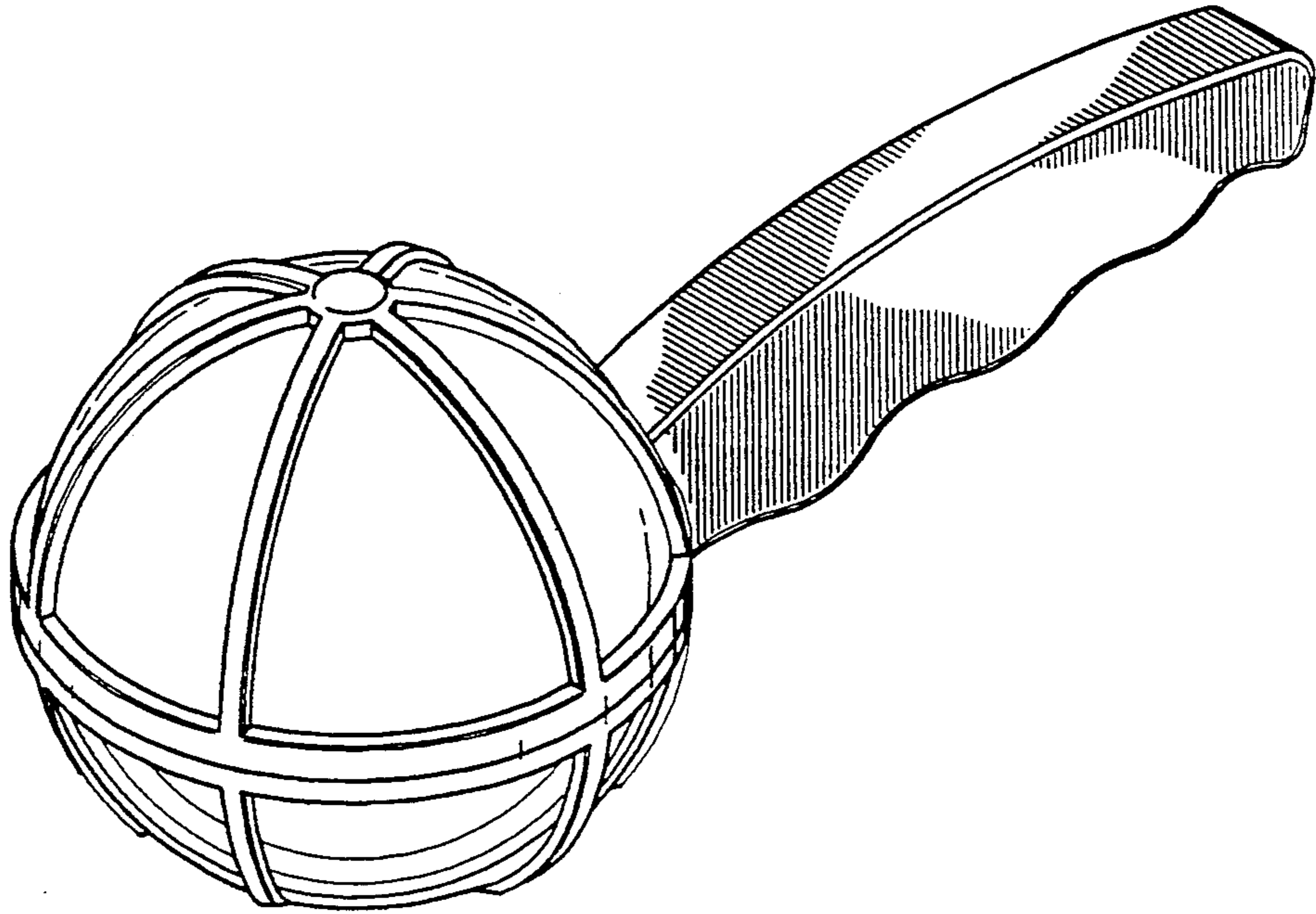


FIG. 1

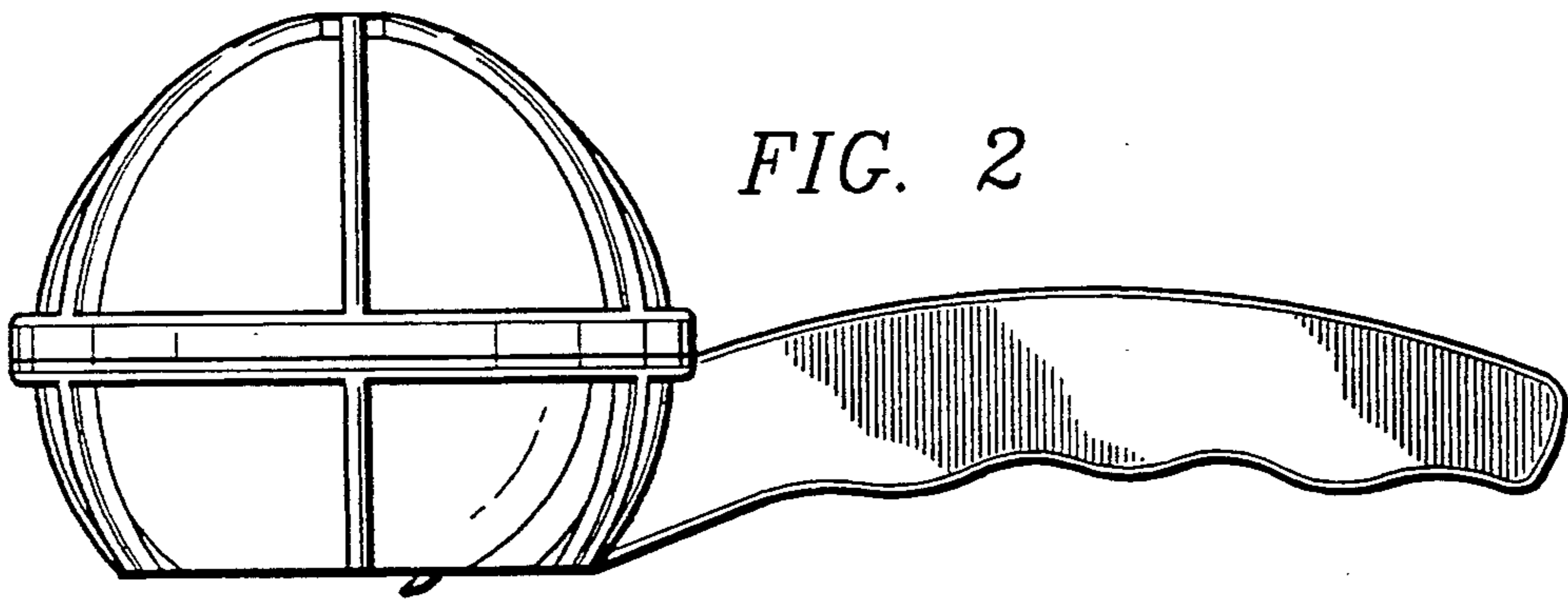


FIG. 2

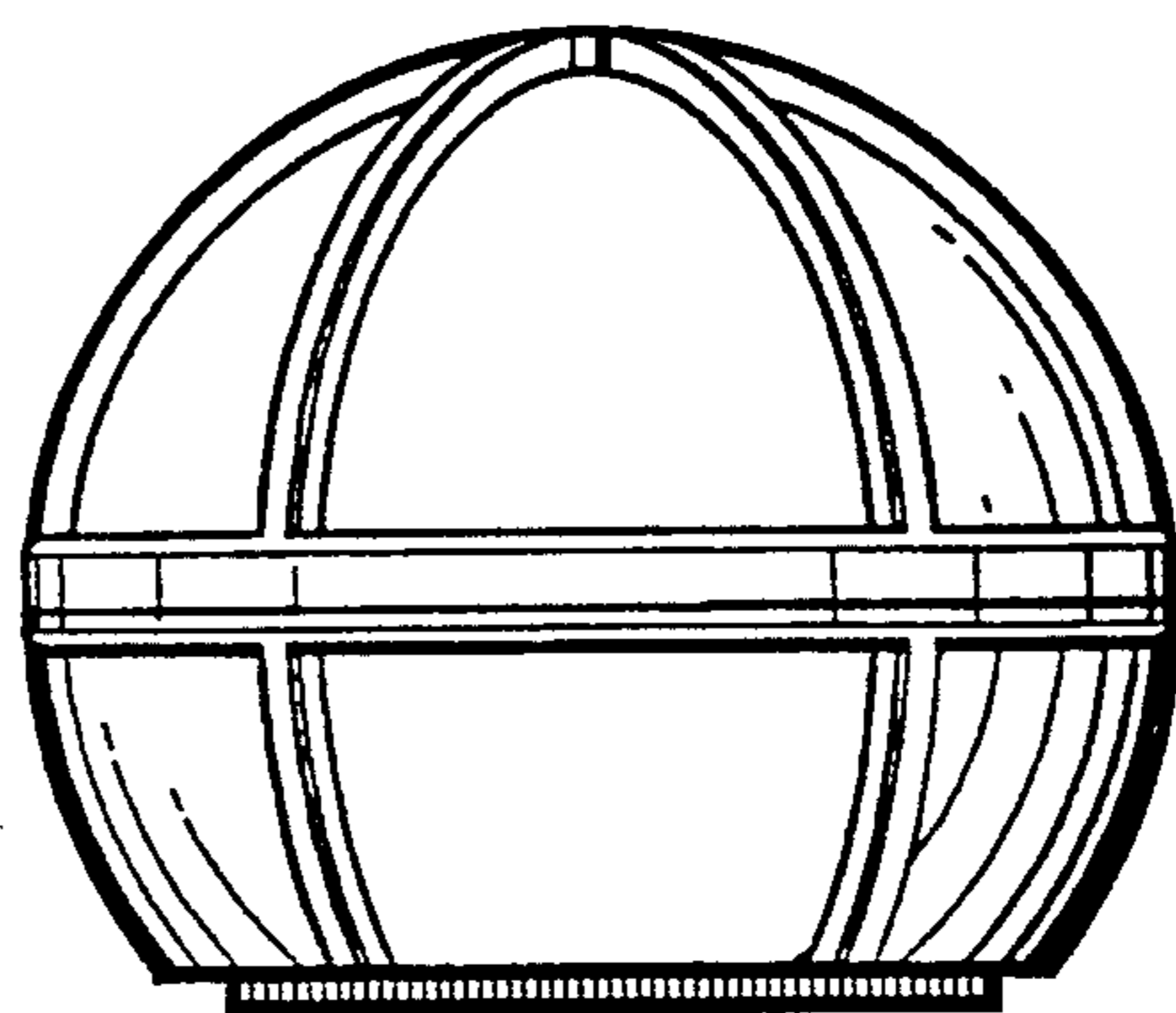


FIG. 3

FIG. 4

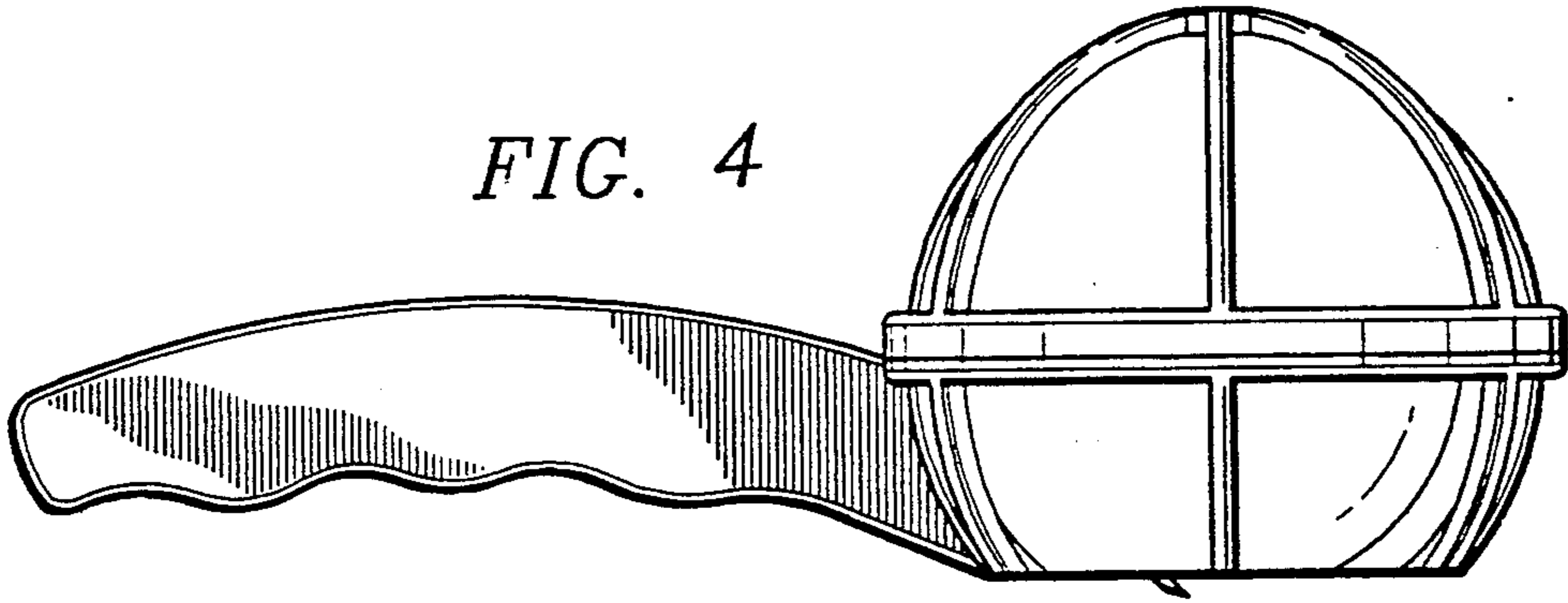


FIG. 5

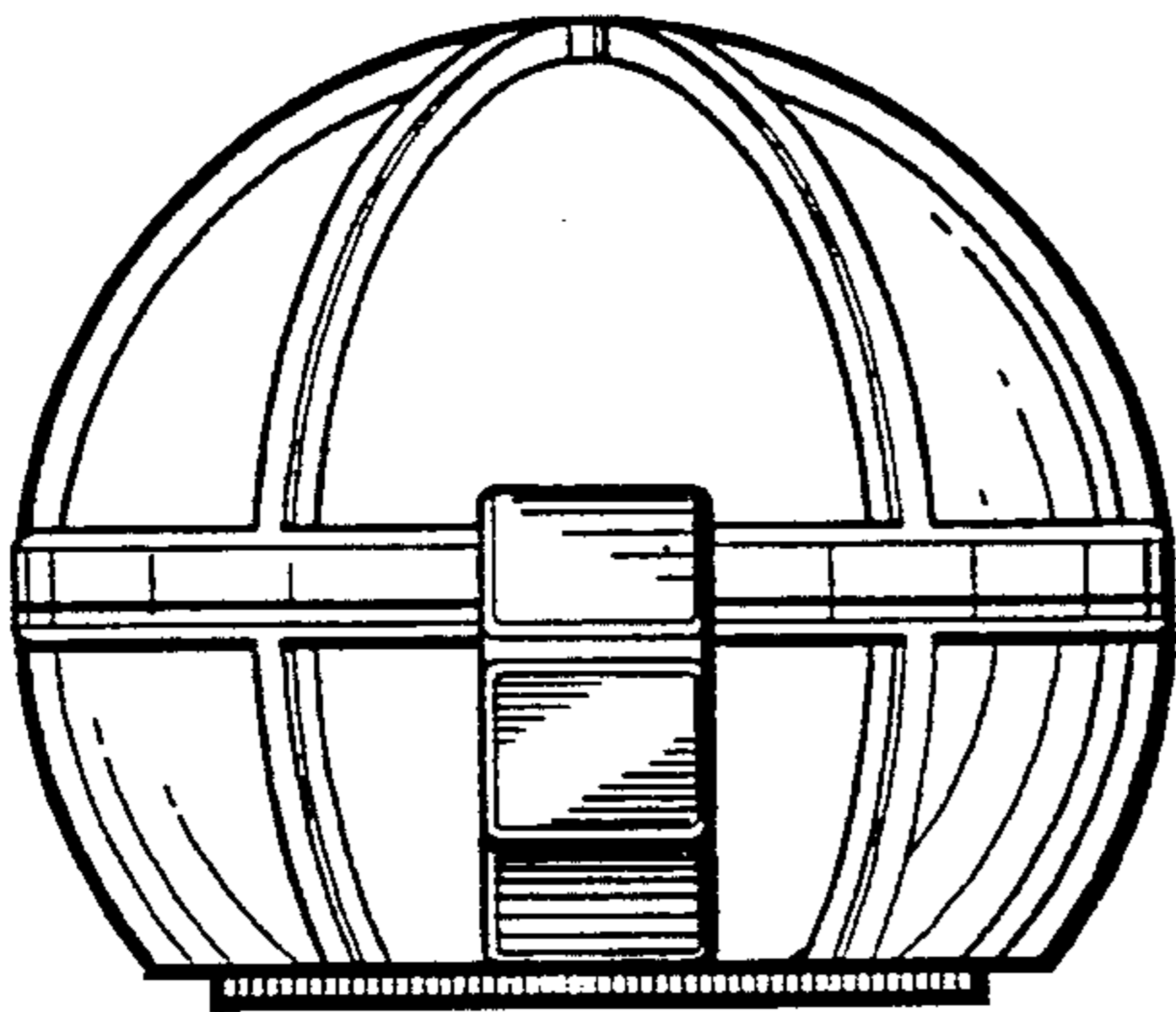


FIG. 6

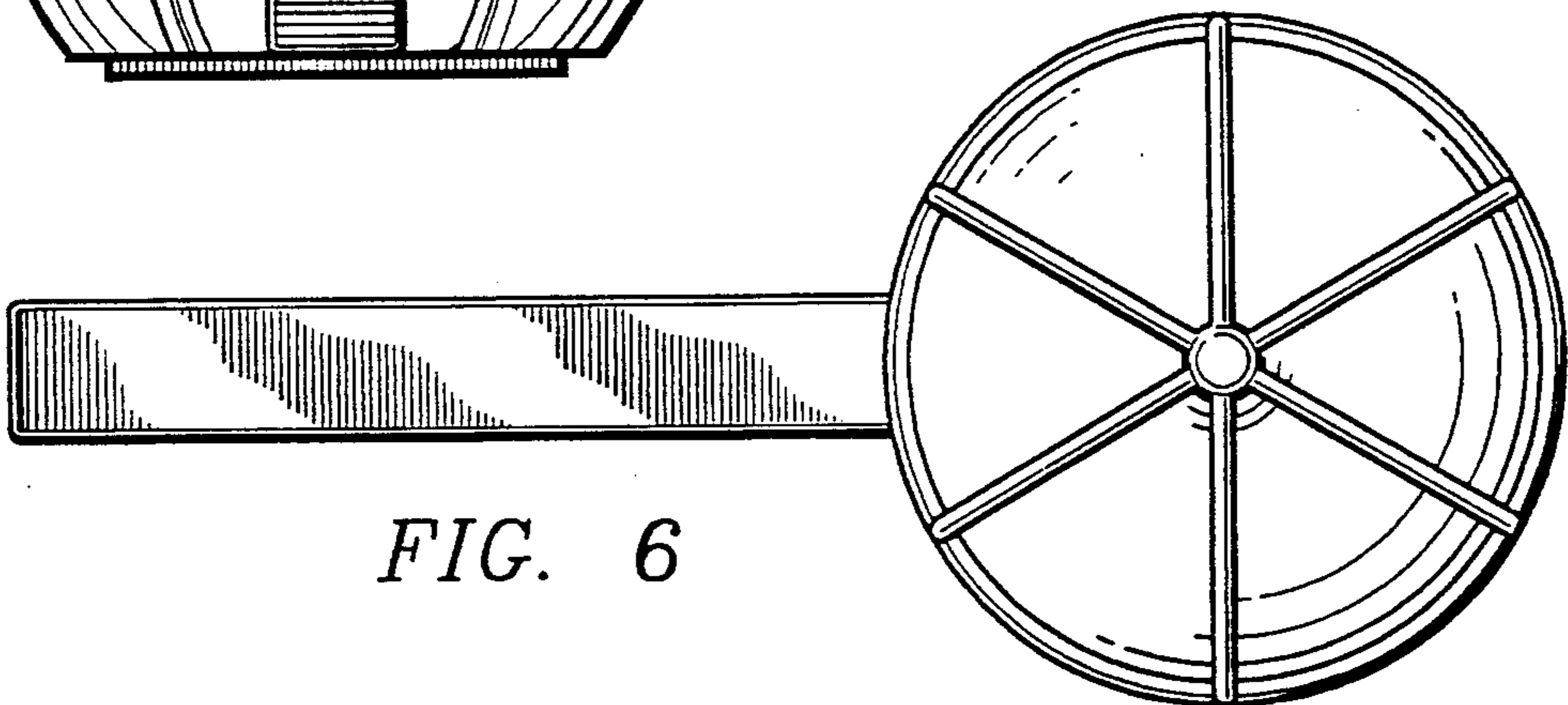


FIG. 7

