



US00D324972S

United States Patent [19]

Hattle et al.

[11] Patent Number: Des. 324,972

[45] Date of Patent: ** Mar. 31, 1992

[54] COMBINATION COFFEEMAKER AND CARAFE

[75] Inventors: Sally A. Hattle, Wilmington, Del.; Don R. McCloskey, Stratford, Conn.

[73] Assignee: Black & Decker Inc., Newark, Del.

[**] Term: 14 Years

[21] Appl. No.: 292,512

[22] Filed: Dec. 21, 1988

4,694,738	9/1987	Tarozzi	99/295 X
4,827,837	5/1989	Johnsen et al.	99/280
4,833,978	5/1989	Martone et al.	99/280
4,838,159	6/1989	Kubicko et al.	99/280

FOREIGN PATENT DOCUMENTS

MR29099 4/1988 Fed. Rep. of Germany .

Primary Examiner—Donald P. Walsh
Assistant Examiner—Janice E. Seeger
Attorney, Agent, or Firm—Barry E. Deutsch

[57] CLAIM

The ornamental design for a combination coffeemaker and carafe, as shown and described.

DESCRIPTION

FIG. 1 is a perspective view of a combination coffee-maker and carafe, showing our new design; FIG. 2 is a front elevational view; FIG. 3 is a side elevational view, the opposite side being a mirror image thereof; and, FIG. 4 is a bottom plan view thereof.

Related U.S. Application Data

[63] Continuation-in-part of Ser. No. 87,911, Aug. 21, 1987.

[52] U.S. Cl. D7/309

[58] Field of Search D6/491, 494, 509-511; 99/280, 295

[56] References Cited

U.S. PATENT DOCUMENTS

D. 187,517 3/1960 Linscott D6/509 X

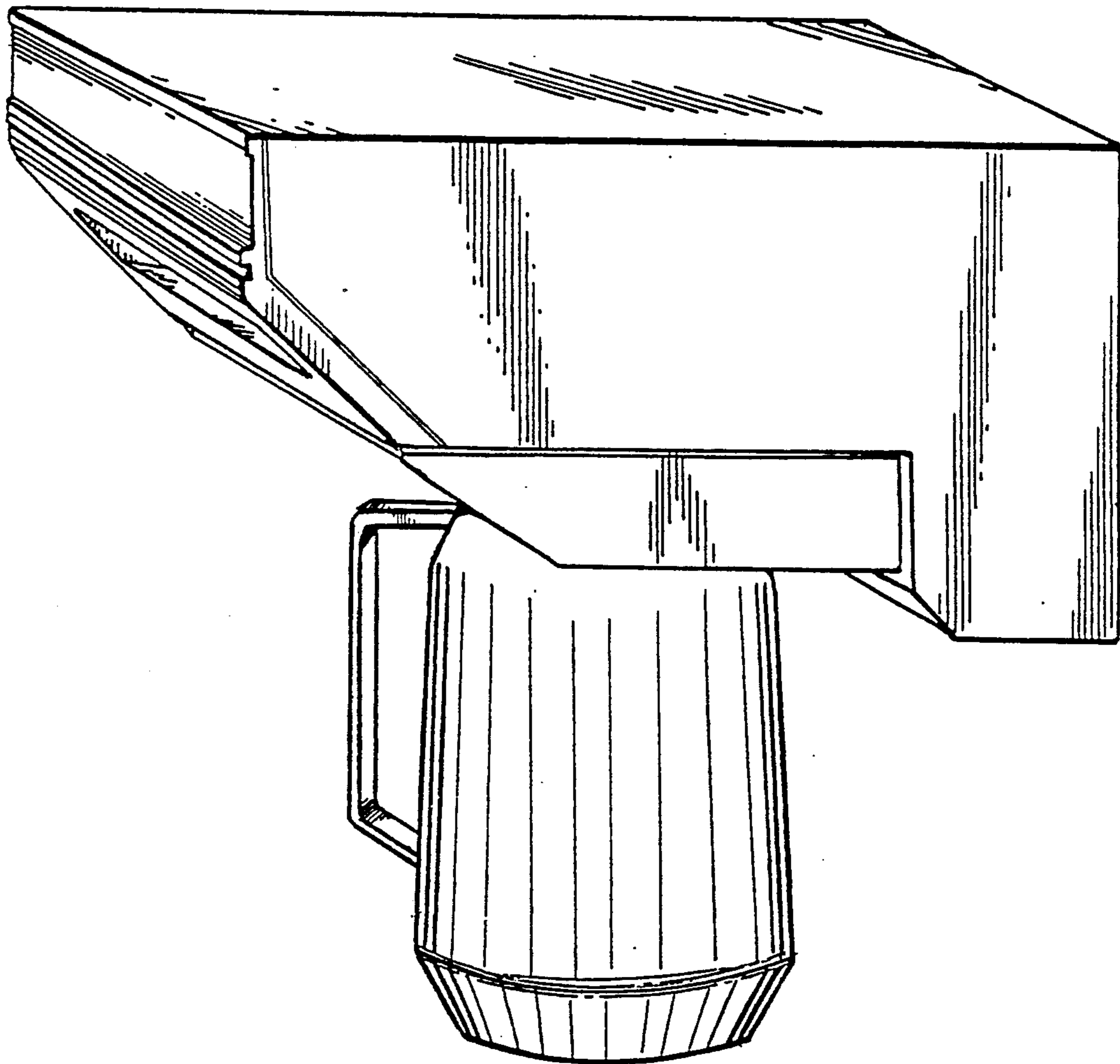


FIG. 1

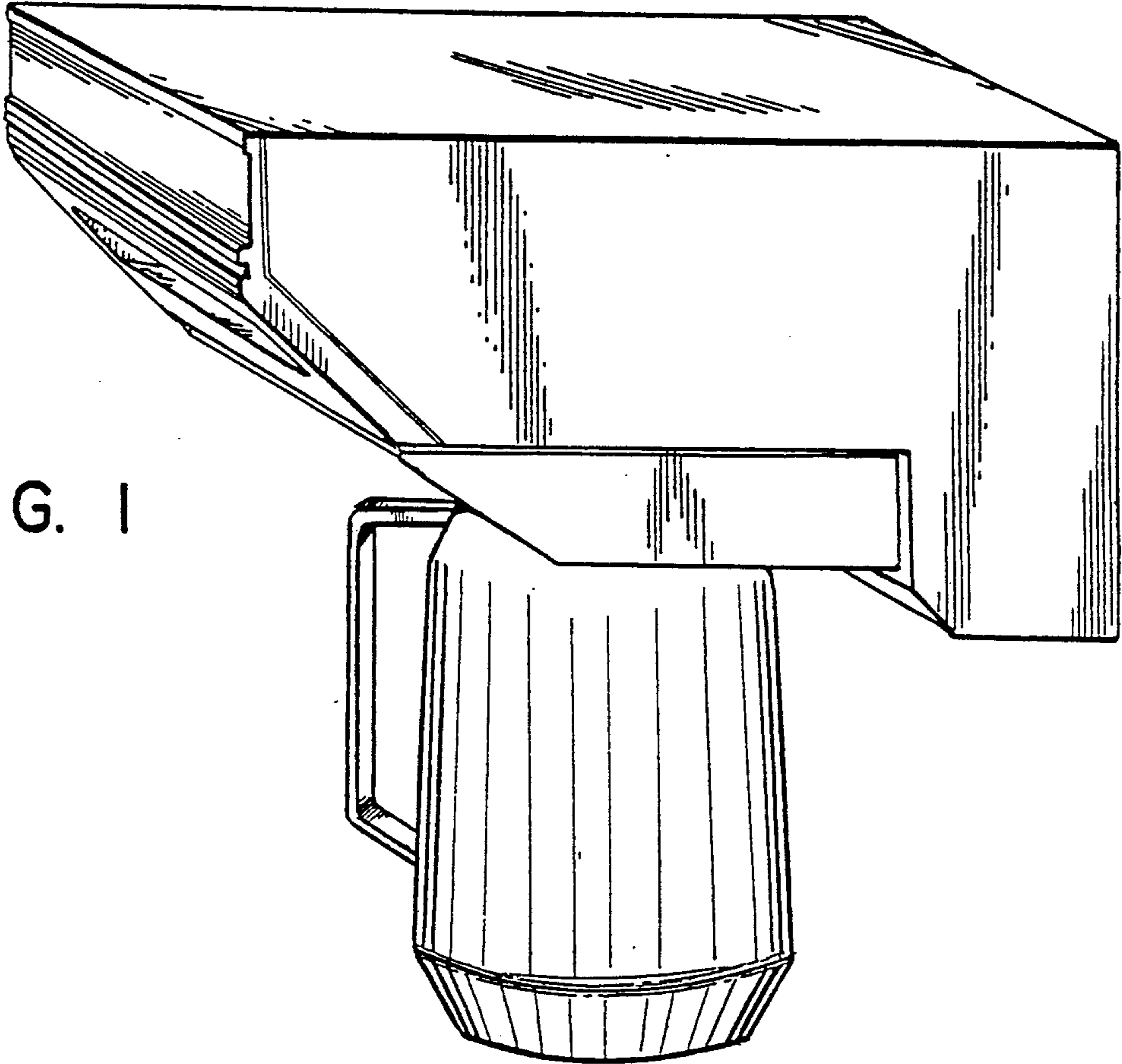


FIG. 4

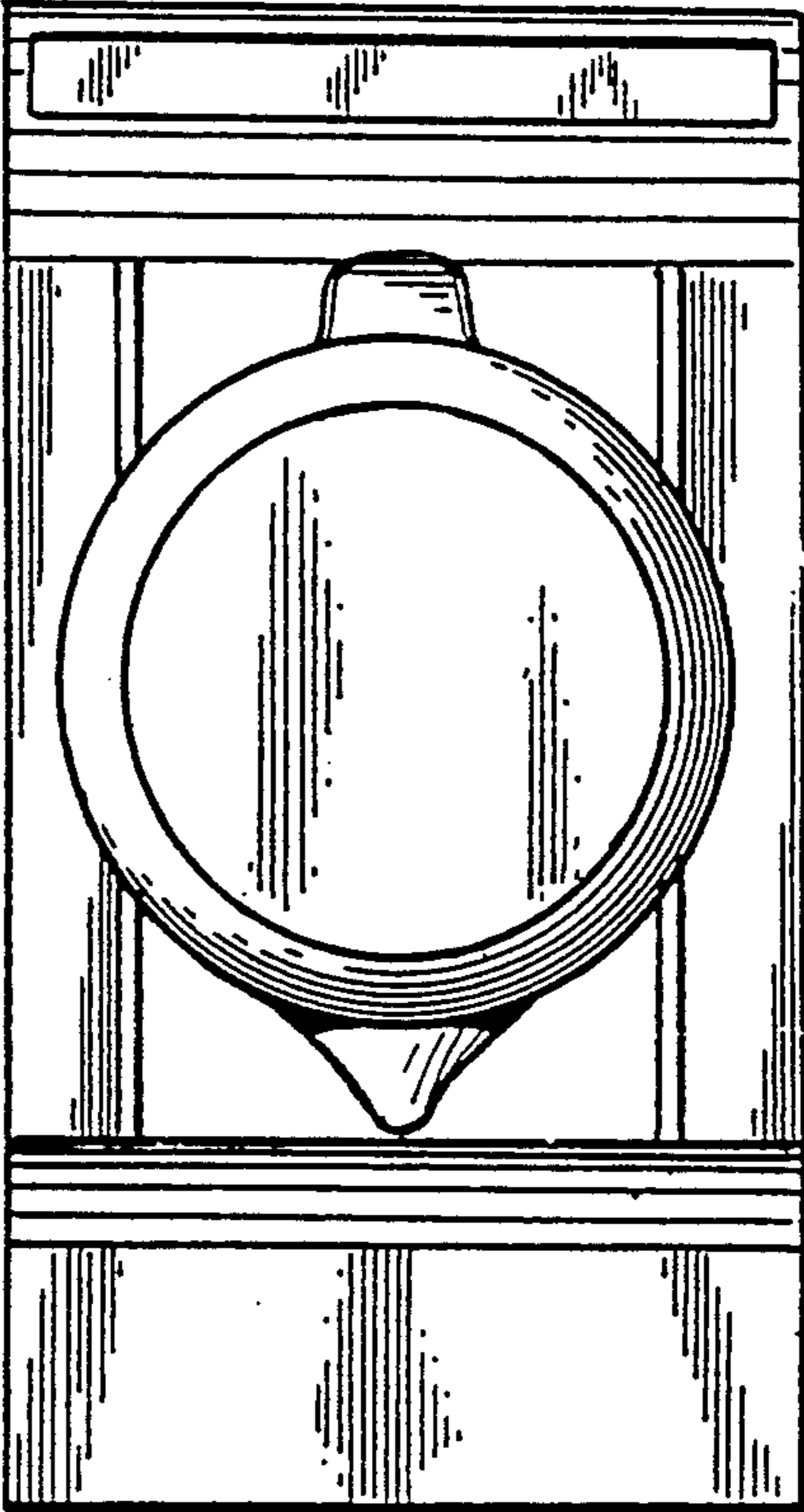


FIG. 2

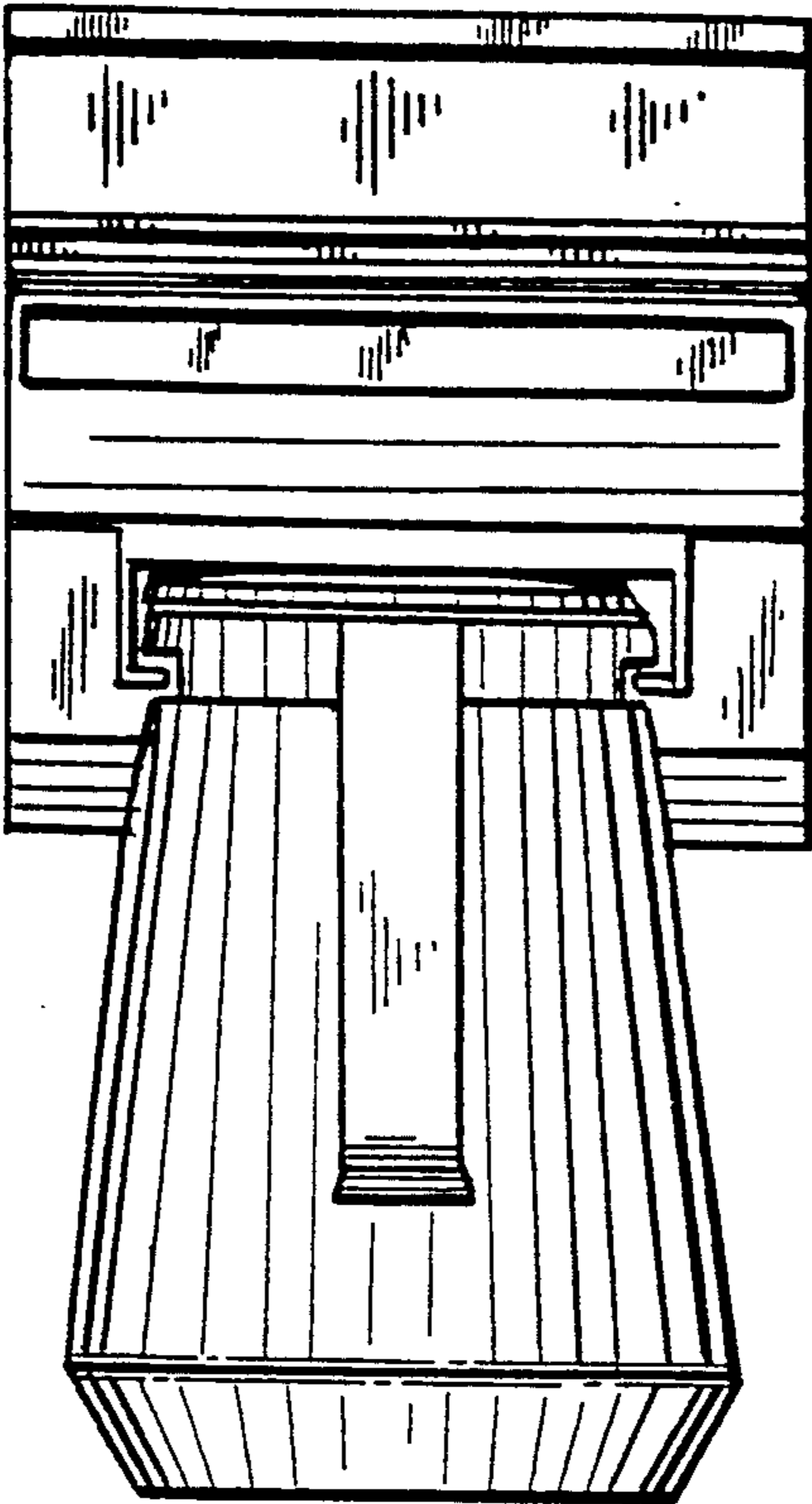


FIG. 3

