



US00D324971S

# United States Patent [19] Blocker

[11] Patent Number: **Des. 324,971**

[45] Date of Patent: **\*\* Mar. 31, 1992**

## [54] HALF FITTED TOP SHEET

[76] Inventor: **Virginia Blocker, 1001 Geringer Ct.,  
St. Louis, Mo. 63135**

[\*\*] Term: **14 Years**

[21] Appl. No.: **382,965**

[22] Filed: **Jul. 21, 1989**

[52] U.S. Cl. .... **D6/602; D6/603**

[58] Field of Search ..... **D6/595-596,  
D6/602-603, 612, 600; 5/482, 486, 495, 497**

## [56] References Cited

### U.S. PATENT DOCUMENTS

D. 196,096	8/1963	Griffith .....	D2/181
D. 250,733	1/1979	Appleman .....	D6/600 X
D. 255,523	6/1980	Yarabinec .....	D6/596
2,313,337	3/1943	Gurke .....	D6/596 X
2,630,587	3/1953	Brown .....	5/496
2,679,056	5/1954	Simpson .....	D6/603 X
3,060,462	10/1962	Miller .....	5/485
3,090,052	5/1963	Goldsmith .....	5/485
3,144,666	8/1964	RagsdaleMazera et al. ...	D6/603 X
3,267,496	8/1966	Gionet .....	D6/601 X

## FOREIGN PATENT DOCUMENTS

2481096 10/1981 France ..... 5/495

*Primary Examiner*—Brian N. Vinson  
*Attorney, Agent, or Firm*—Terry M. Gernstein

## [57] CLAIM

The ornamental design for a half fitted top sheet, as shown and described.

## DESCRIPTION

FIG. 1 is a top perspective view of a half fitted top sheet showing my new design, the bottom being plain and unornamented, and the cross-hatching being understood to represent conventional fabric;

FIG. 2 is a top perspective view thereof, shown in a partially folded condition;

FIG. 3 is a top perspective view thereof, shown in a fully folded condition, with the fragmentary, broken-line portion of a bed being shown for illustrative purposes only and forming no part of the claimed design;

FIG. 4 is a top plan view thereof;

FIG. 5 is a side elevational view thereof, the opposite side being a mirror image of that shown;

FIG. 6 is an end elevational view thereof; and,

FIG. 7 is an opposite end elevational view thereof.

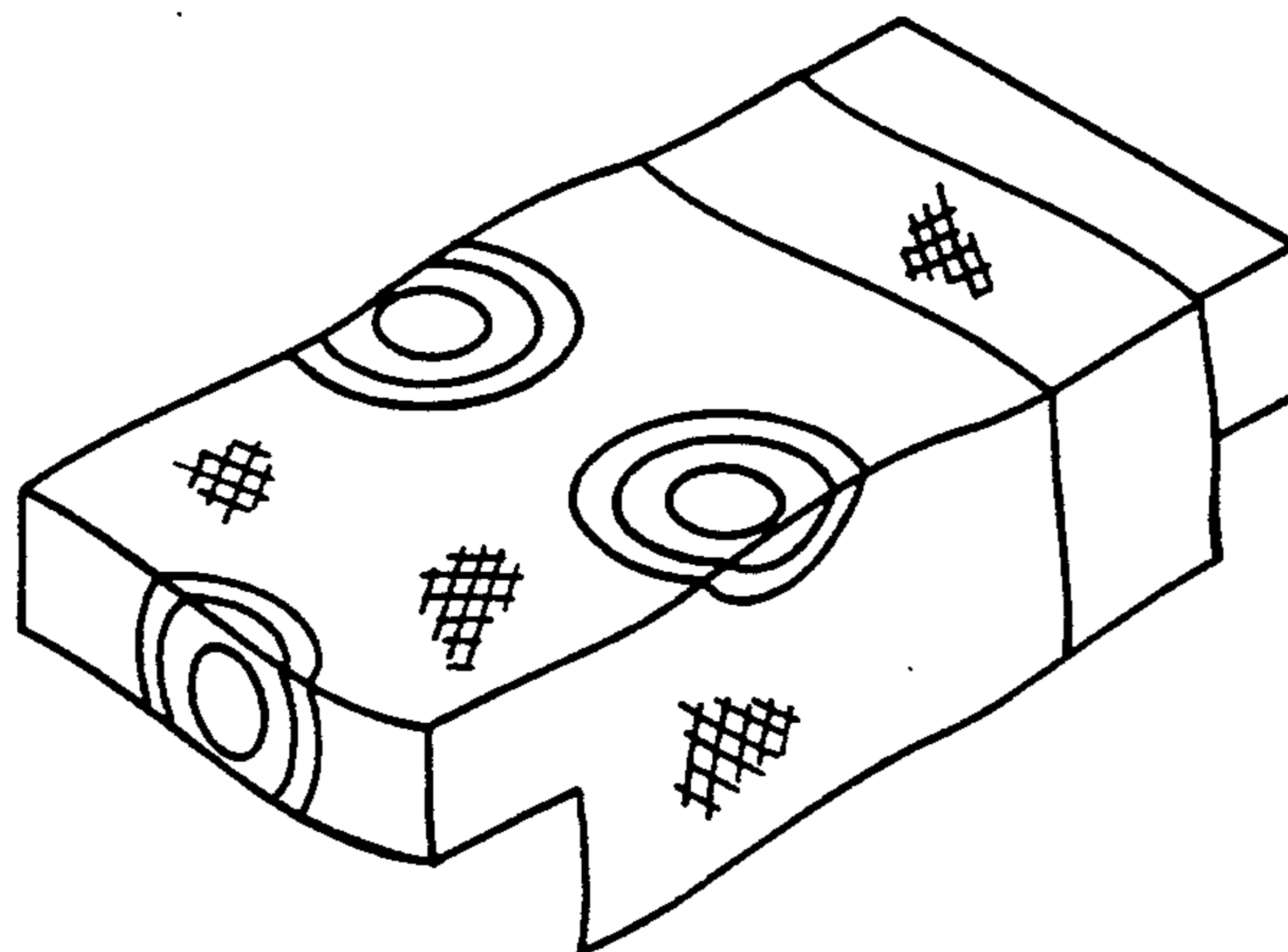
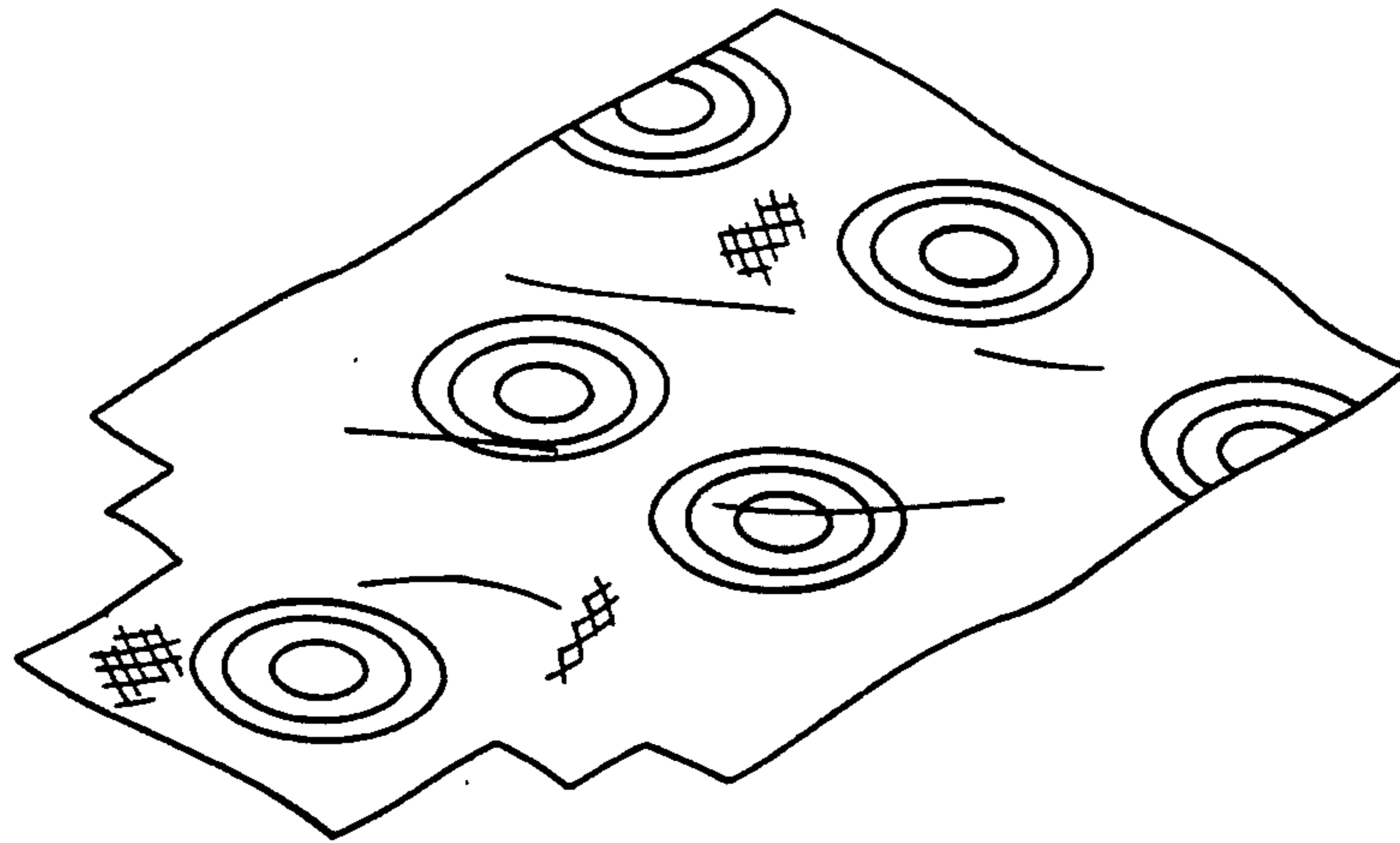


FIG. 1

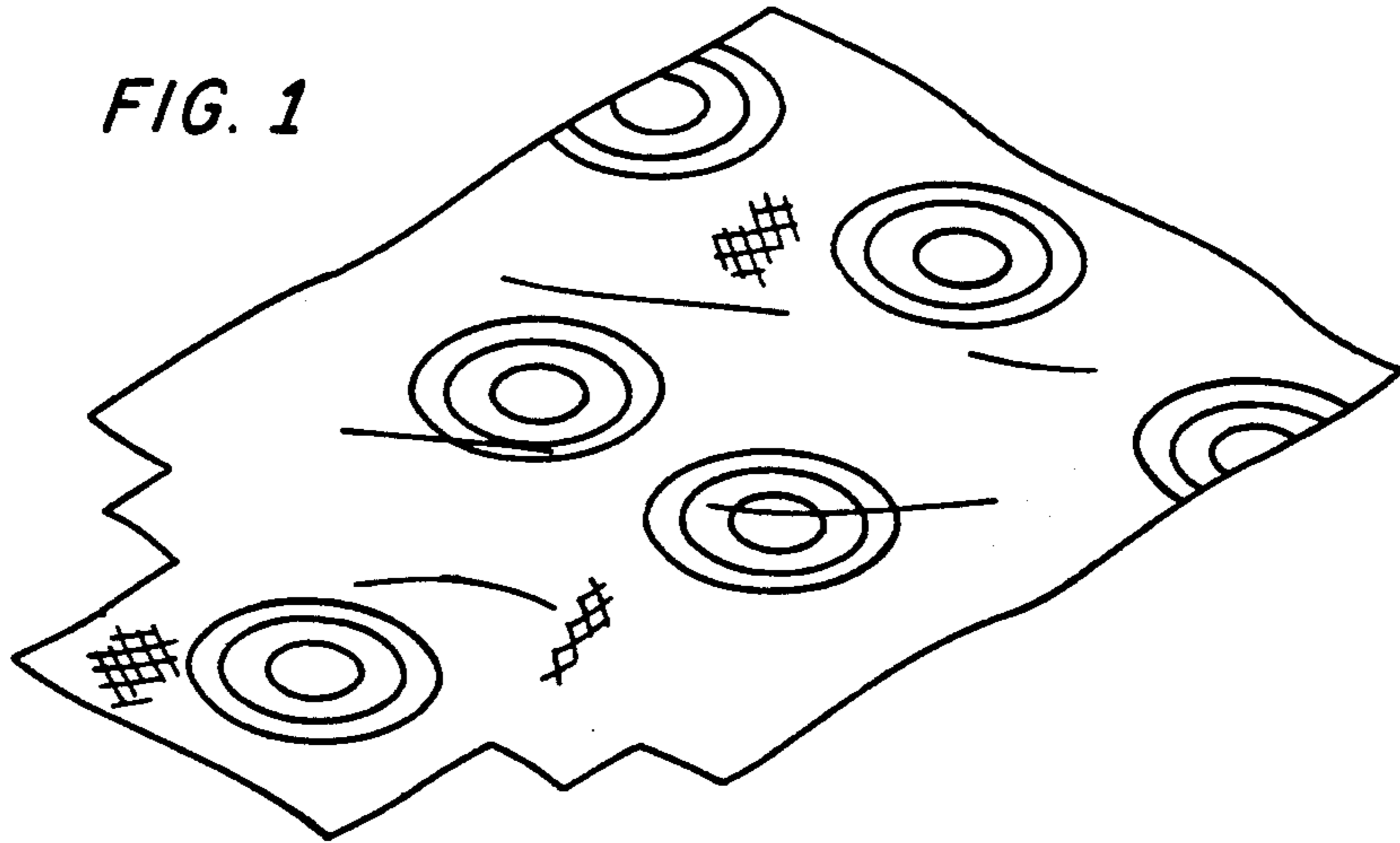


FIG. 2

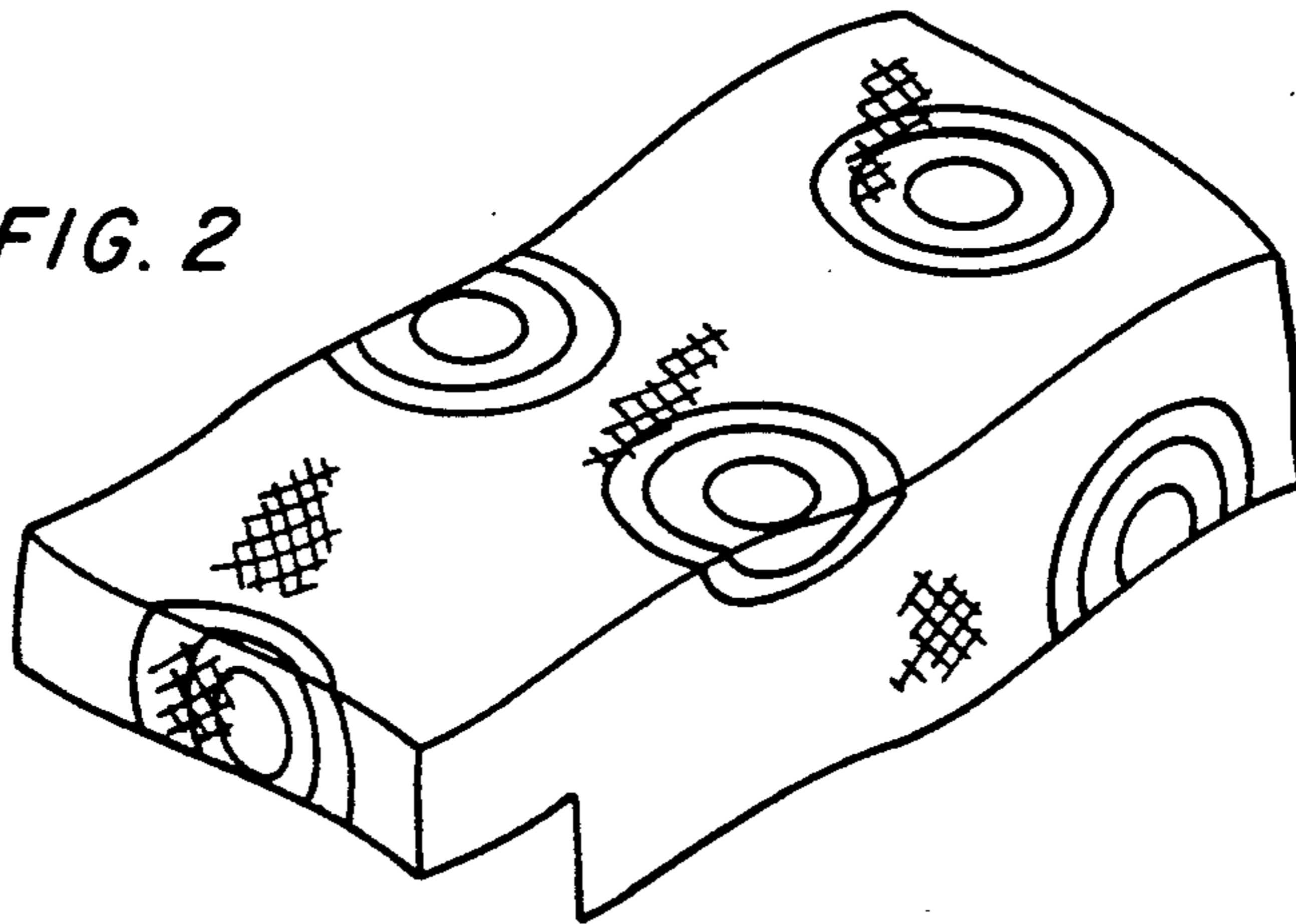
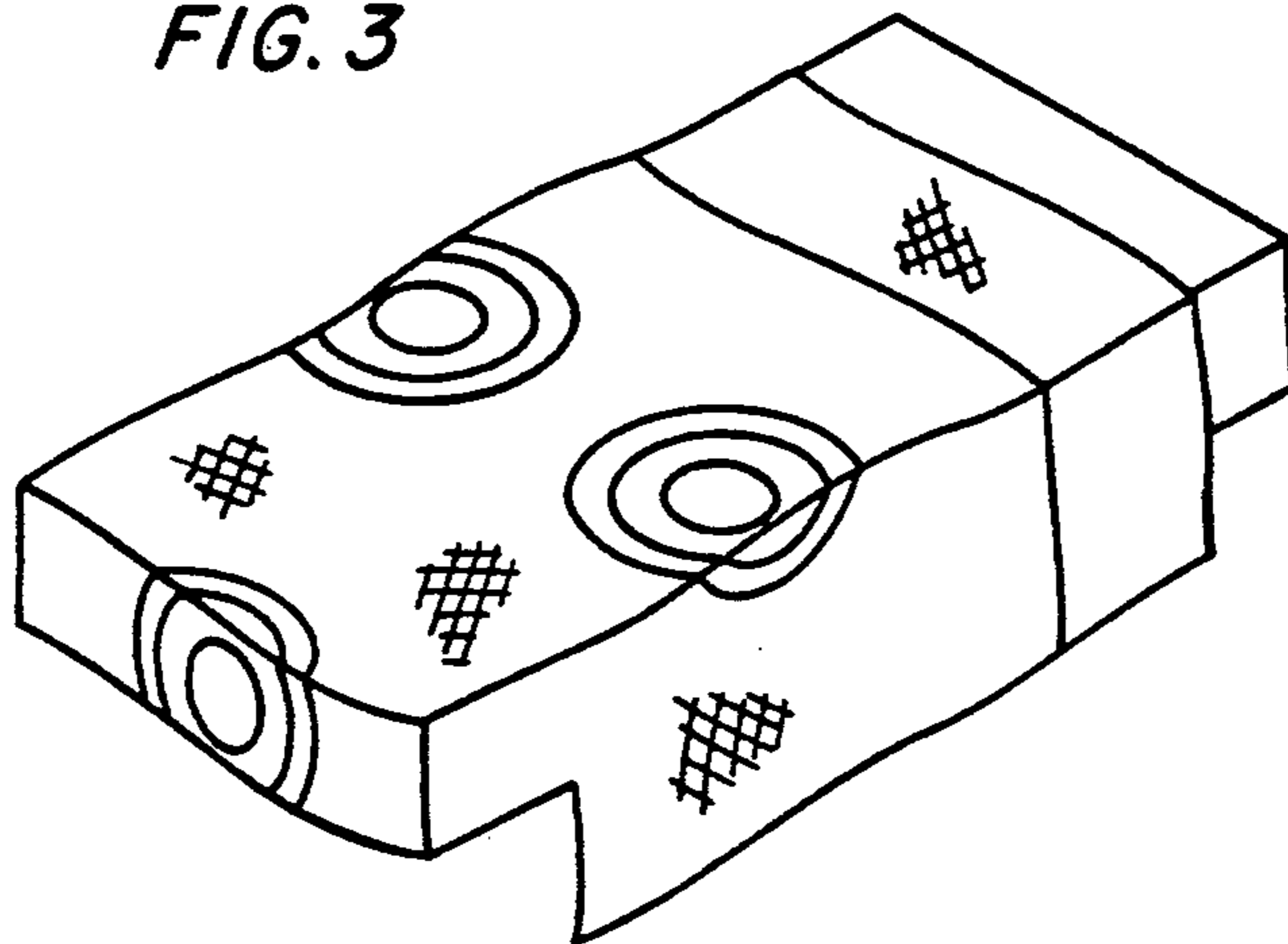


FIG. 3



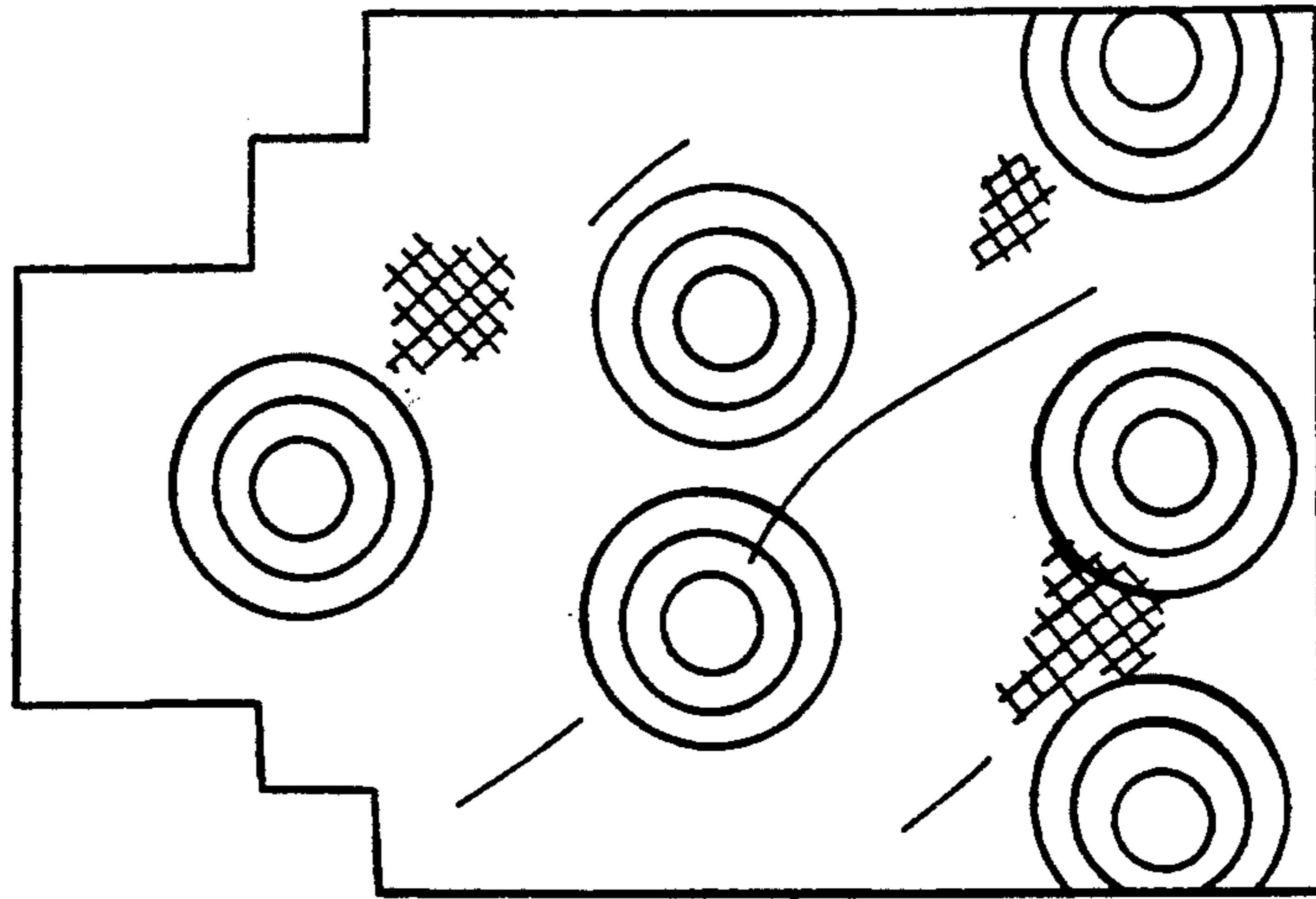


FIG. 4



FIG. 5



FIG. 6



FIG. 7