



US00D324969S

# United States Patent [19]

[11] Patent Number: **Des. 324,969**

Morand

[45] Date of Patent: **\*\* Mar. 31, 1992**

- [54] BATHROOM TISSUE DISPENSER
- [75] Inventor: **Michel Morand**, Montreal, Canada
- [73] Assignee: **Wyant & Company Limited**, Lachine, Canada
- [\*\*] Term: **14 Years**
- [21] Appl. No.: **539,522**
- [22] Filed: **Jun. 18, 1990**
- [52] U.S. Cl. .... **D6/523; D6/518**
- [58] Field of Search ..... **D6/518, 521-523; 206/389; 242/55.2, 55.53, 56 R; 312/37; 221/30, 33, 45**

- 2,523,951 9/1950 Graulich ..... D6/523 X
- 4,088,276 5/1978 Littleton ..... 242/55.53
- 4,702,373 10/1987 Meade ..... 206/389

*Primary Examiner*—Brian N. Vinson  
*Attorney, Agent, or Firm*—Larson and Taylor

[57] **CLAIM**

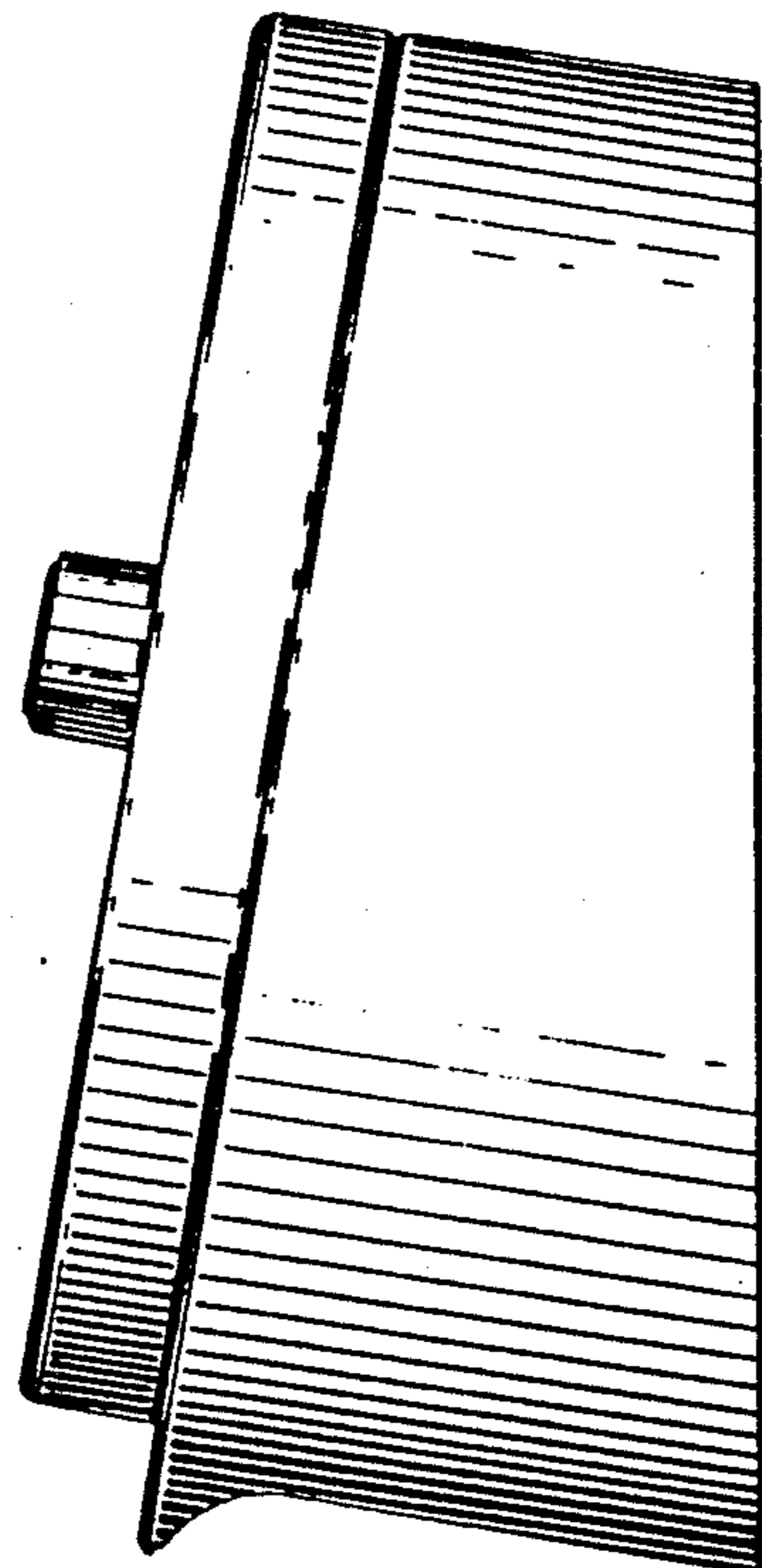
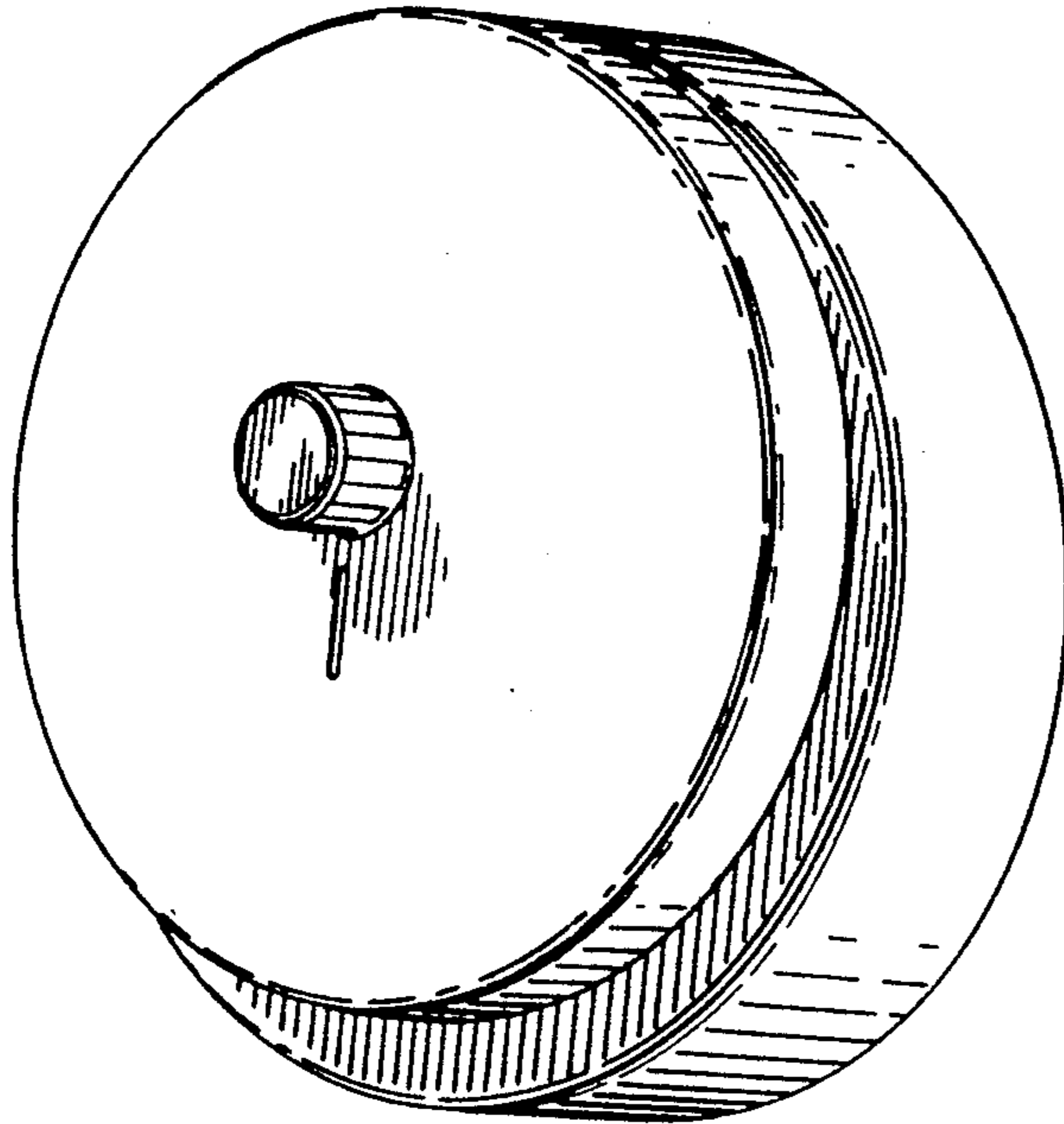
The ornamental design for a bathroom tissue dispenser, as shown and described.

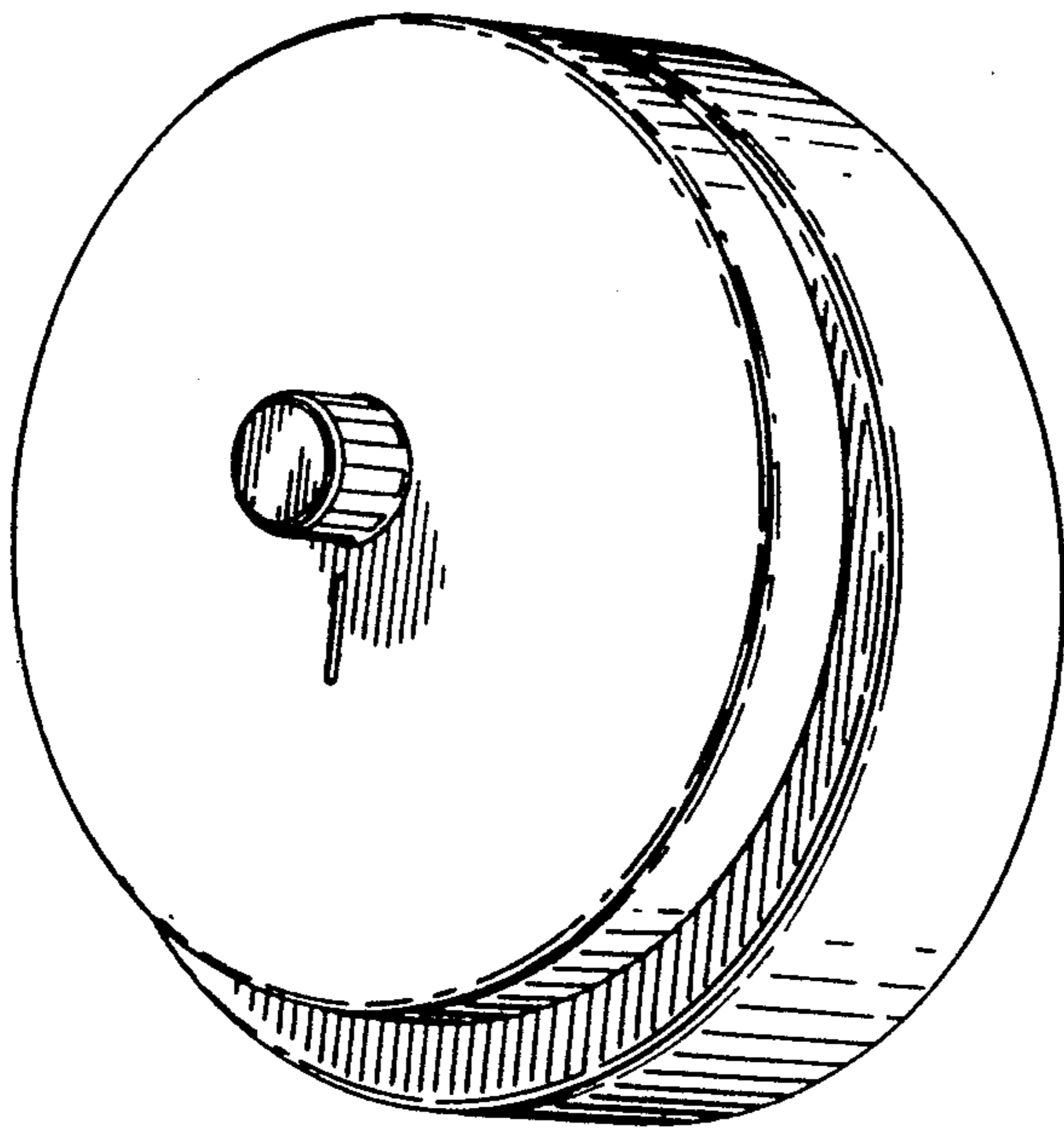
**DESCRIPTION**

FIG. 1 is a front and right side perspective view of a bathroom tissue dispenser showing my new design; FIG. 2 is an enlarged right side elevational view thereof, the left side being a mirror image of that shown; FIG. 3 is an enlarged top plan view thereof; FIG. 4 is an enlarged front elevational view thereof; FIG. 5 is an enlarged bottom plan view thereof; and, FIG. 6 is an enlarged rear elevational view thereof.

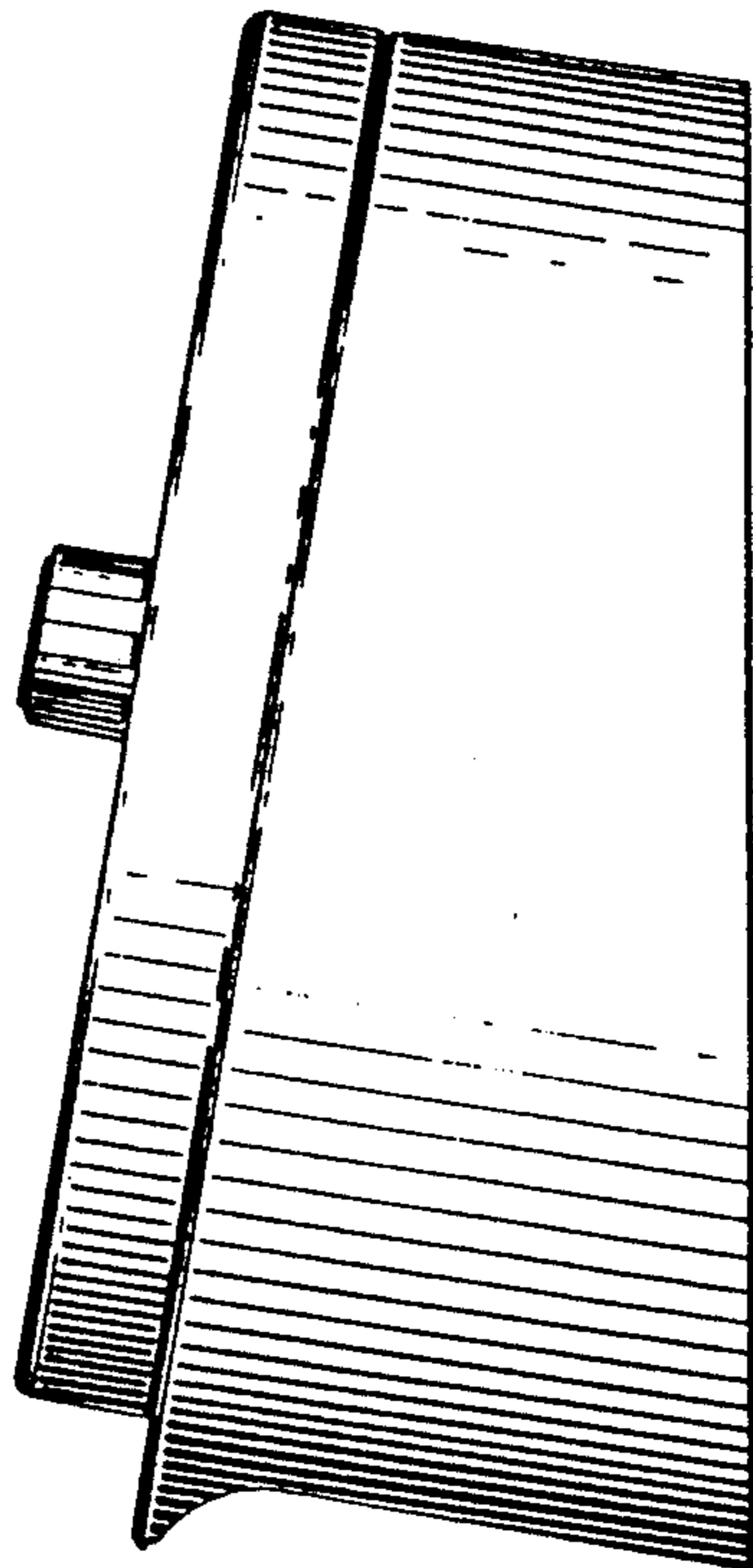
[56] **References Cited**  
**U.S. PATENT DOCUMENTS**

- D. 206,085 10/1966 Moskovitz ..... D6/518
- D. 307,845 5/1990 Omdoll et al. .... D6/520

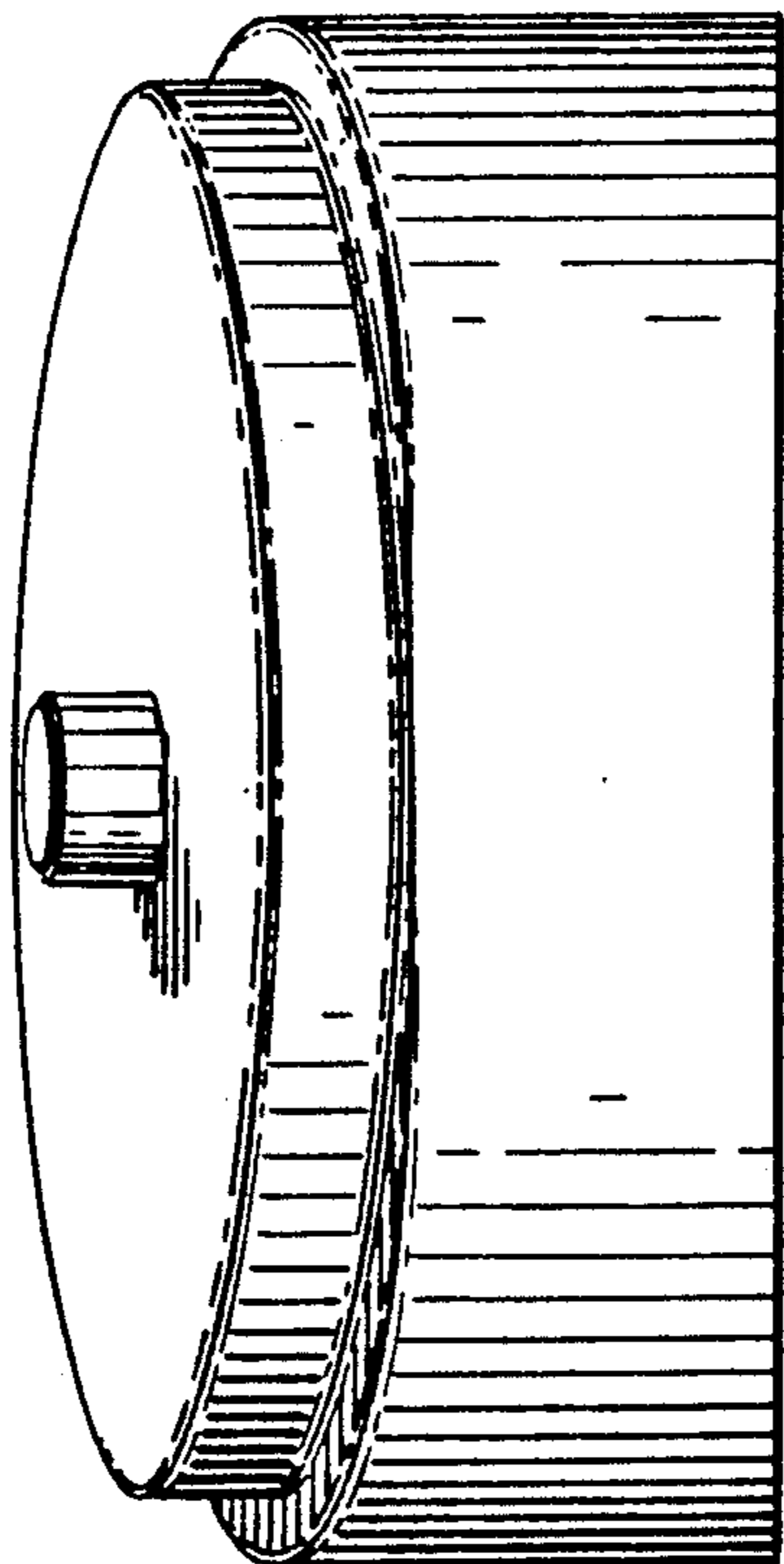




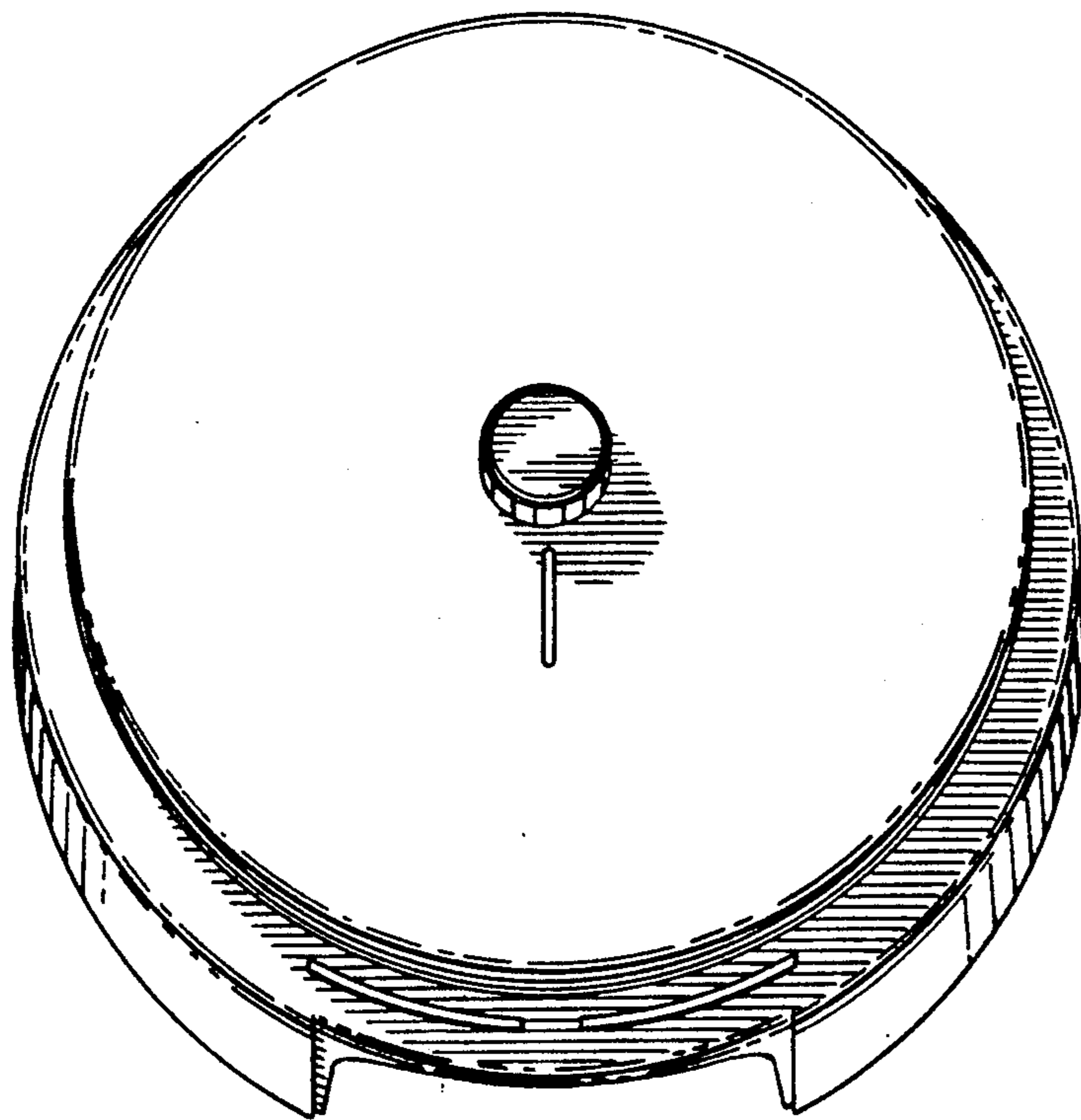
*Fig. 1*



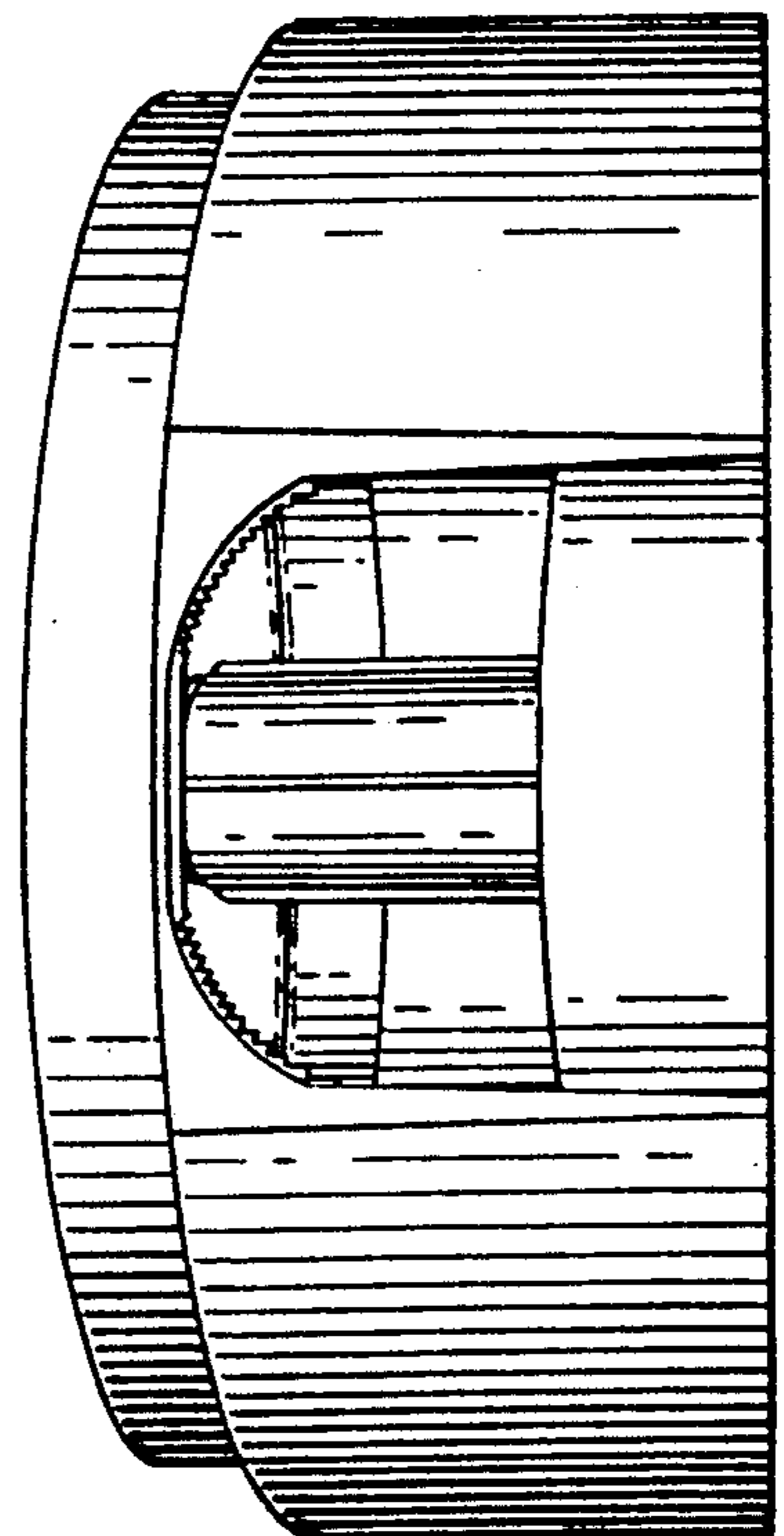
*Fig. 2*



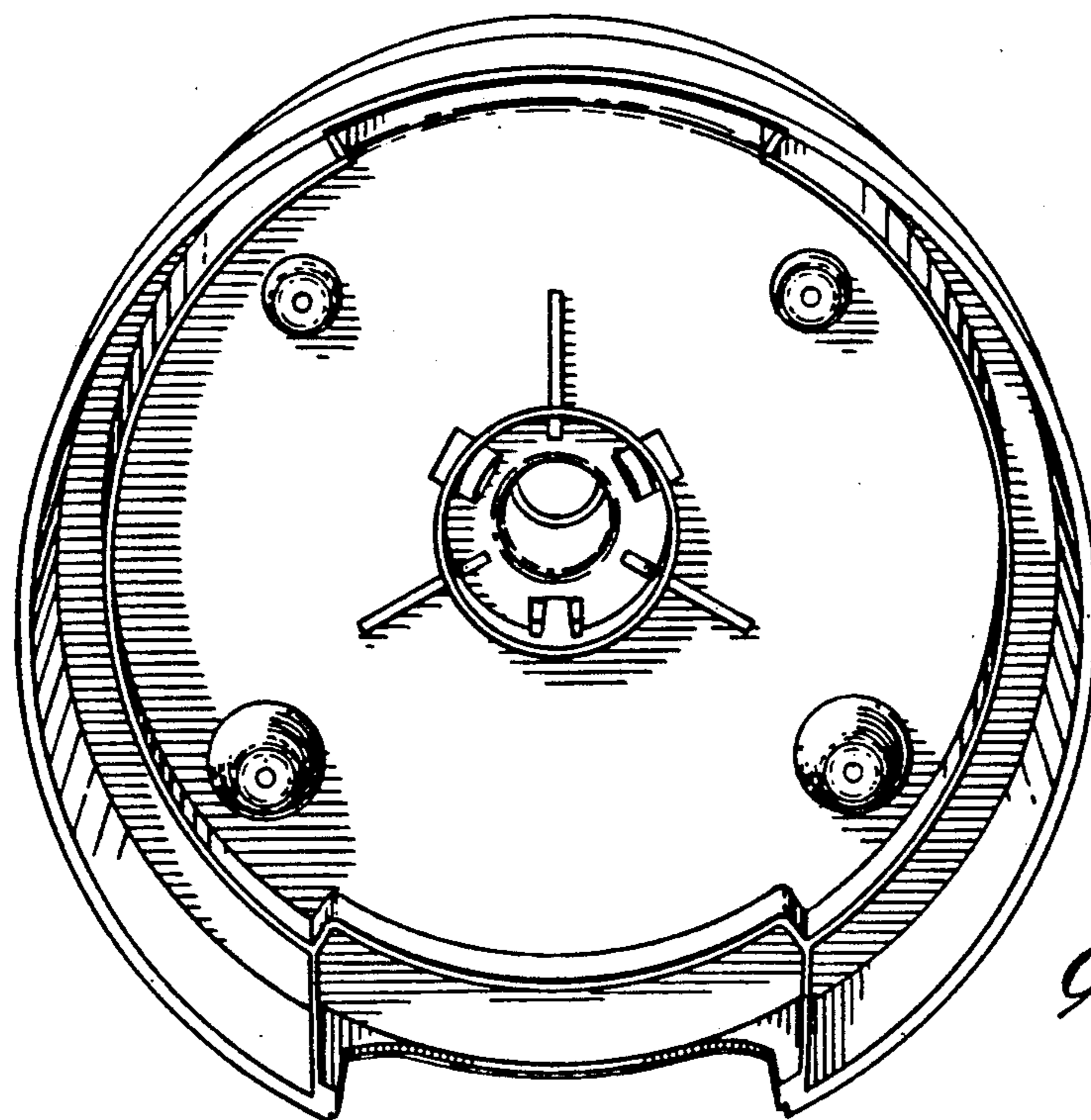
*Fig. 3*



*Fig. 4*



*Fig. 5*



*Fig. 6*