



US00D324968S

United States Patent [19]

[11] Patent Number: **Des. 324,968**

Smith

[45] Date of Patent: **** Mar. 31, 1992**

[54] **BASE FOR A STOOL**

[76] Inventor: **Lawrence N. Smith, P.O. Box 3344
Hilltop, Virginia Beach, Va. 23454**

[**] Term: **14 Years**

[21] Appl. No.: **246,167**

[22] Filed: **Sep. 19, 1988**

[52] U.S. Cl. **D6/495**

[58] Field of Search **D6/495, 497-499,
D6/349; D21/227, 81; D34/23**

D. 296,597 7/1988 Adams D34/23
3,399,904 9/1968 Schinke D21/227 X
4,732,400 3/1988 Santini D21/227 X

Primary Examiner—Bruce W. Dunkins
Assistant Examiner—Janice E. Seeger

[57] **CLAIM**

The ornamental design for a base for a stool, as shown and described.

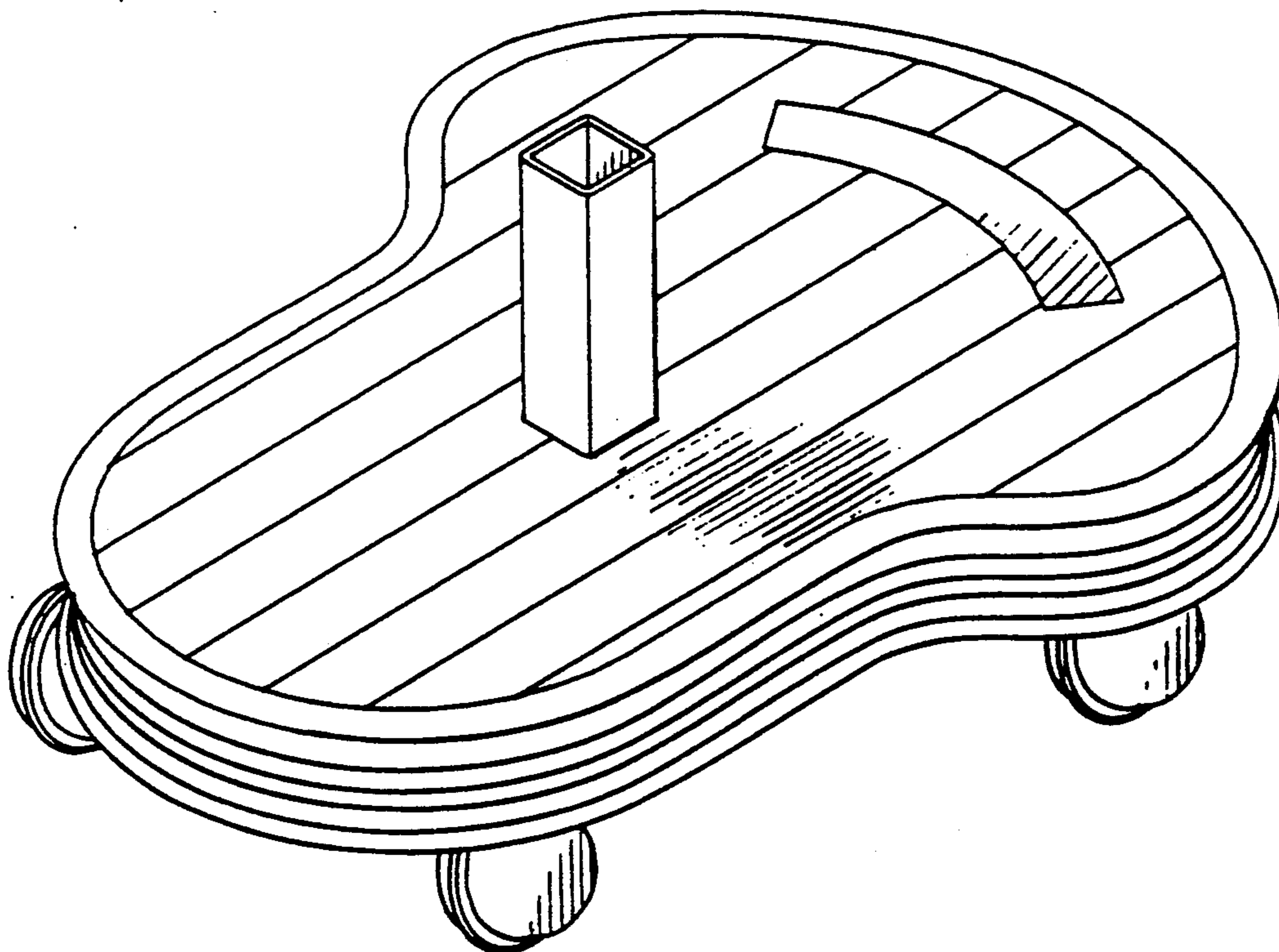
DESCRIPTION

FIG. 1 is a top plan view of a base for a stool, showing my new design;
FIG. 2 is a rear elevational view;
FIG. 3 is a bottom plan view;
FIG. 4 is a front elevational view;
FIG. 5 is a side elevational view, the opposite side being identical thereto; and,
FIG. 6 is a perspective view thereof.

[56] **References Cited**

U.S. PATENT DOCUMENTS

D. 5,413 12/1871 Hall D21/227 X
D. 222,158 10/1971 Noches D21/227
D. 261,544 10/1981 Cramer D21/227
D. 266,100 9/1982 Miller D21/227 X
D. 292,147 10/1987 Lomedico et al. D6/349



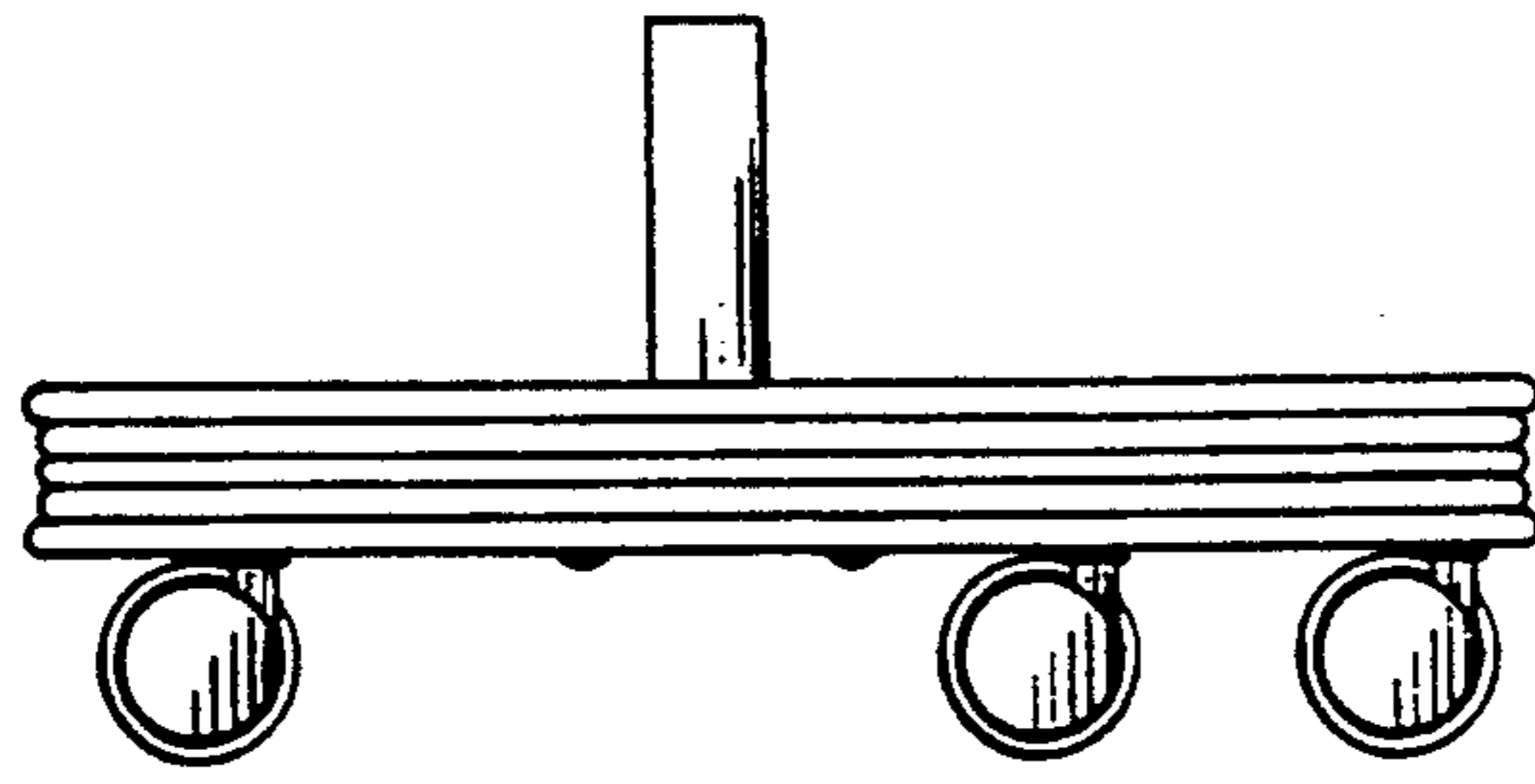


Fig-5

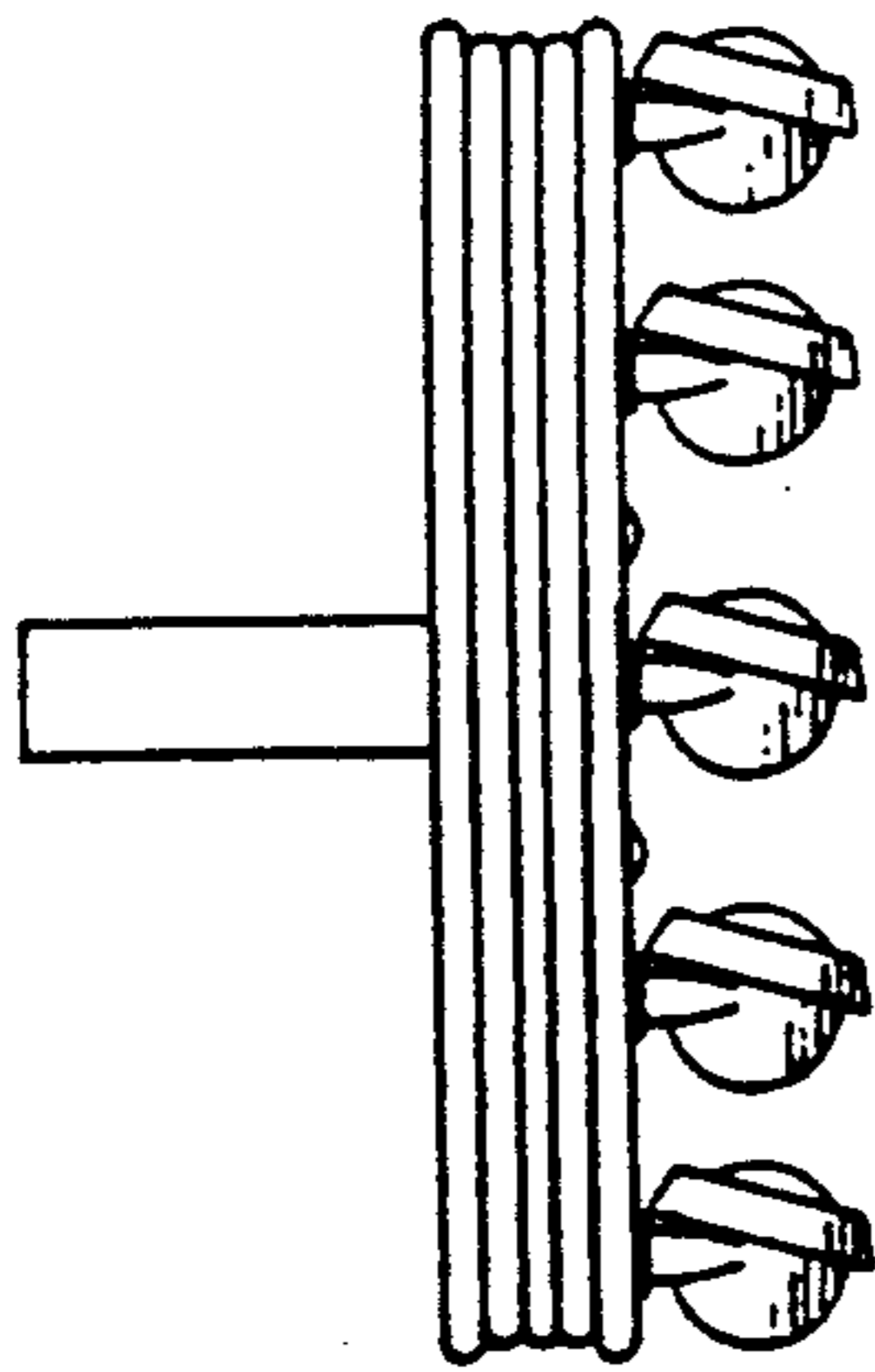


Fig-2

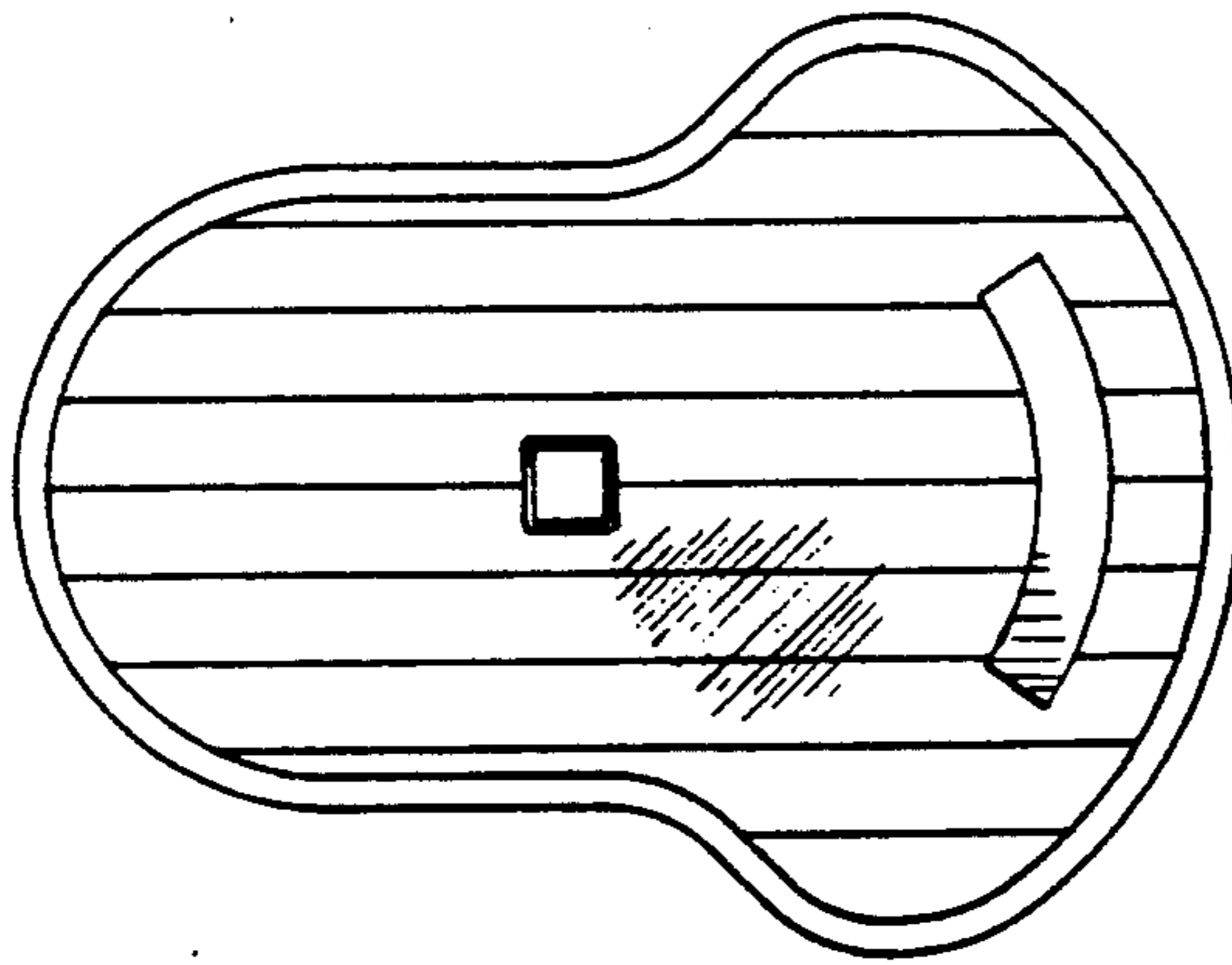


Fig-1

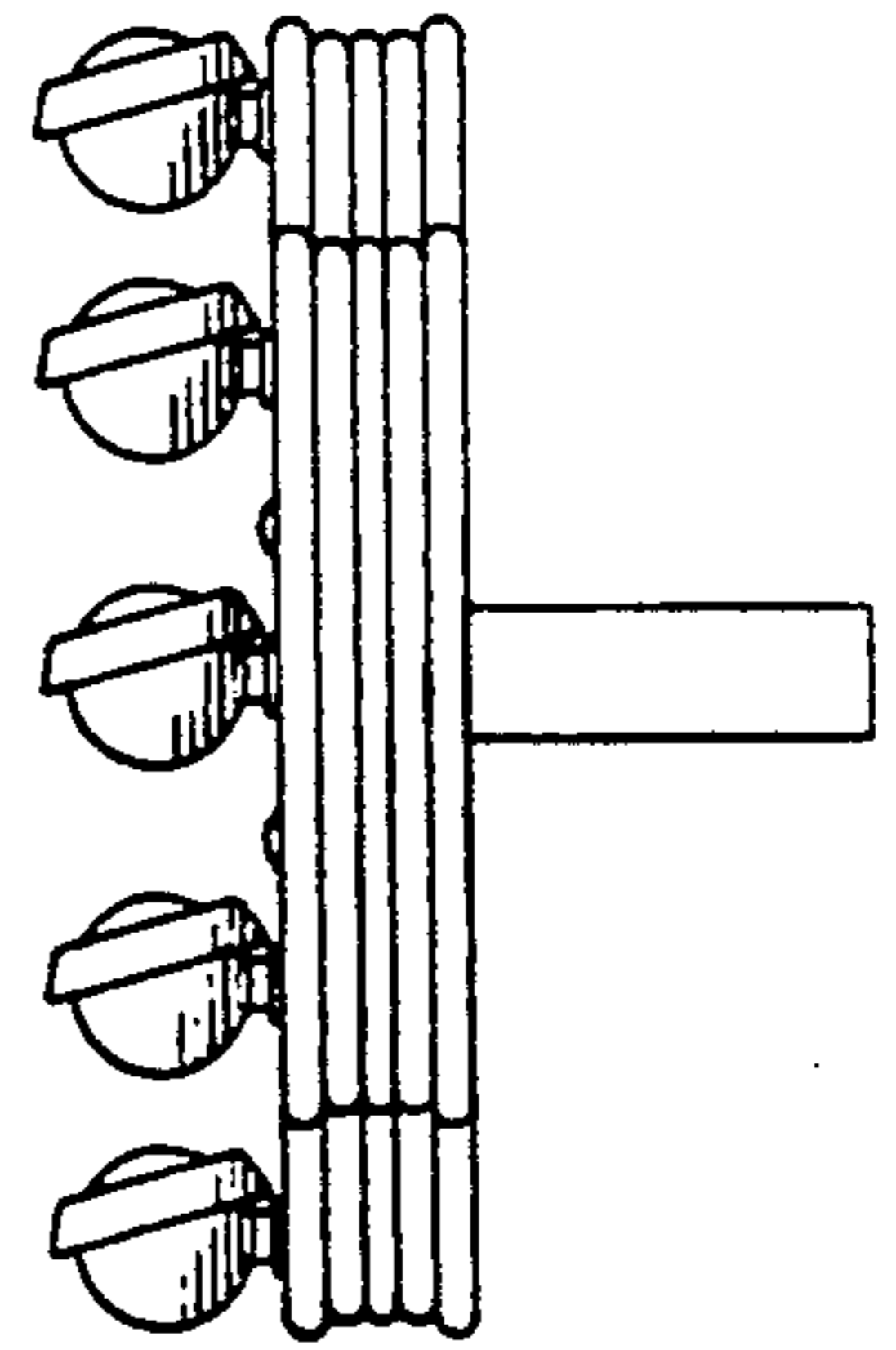


Fig-4

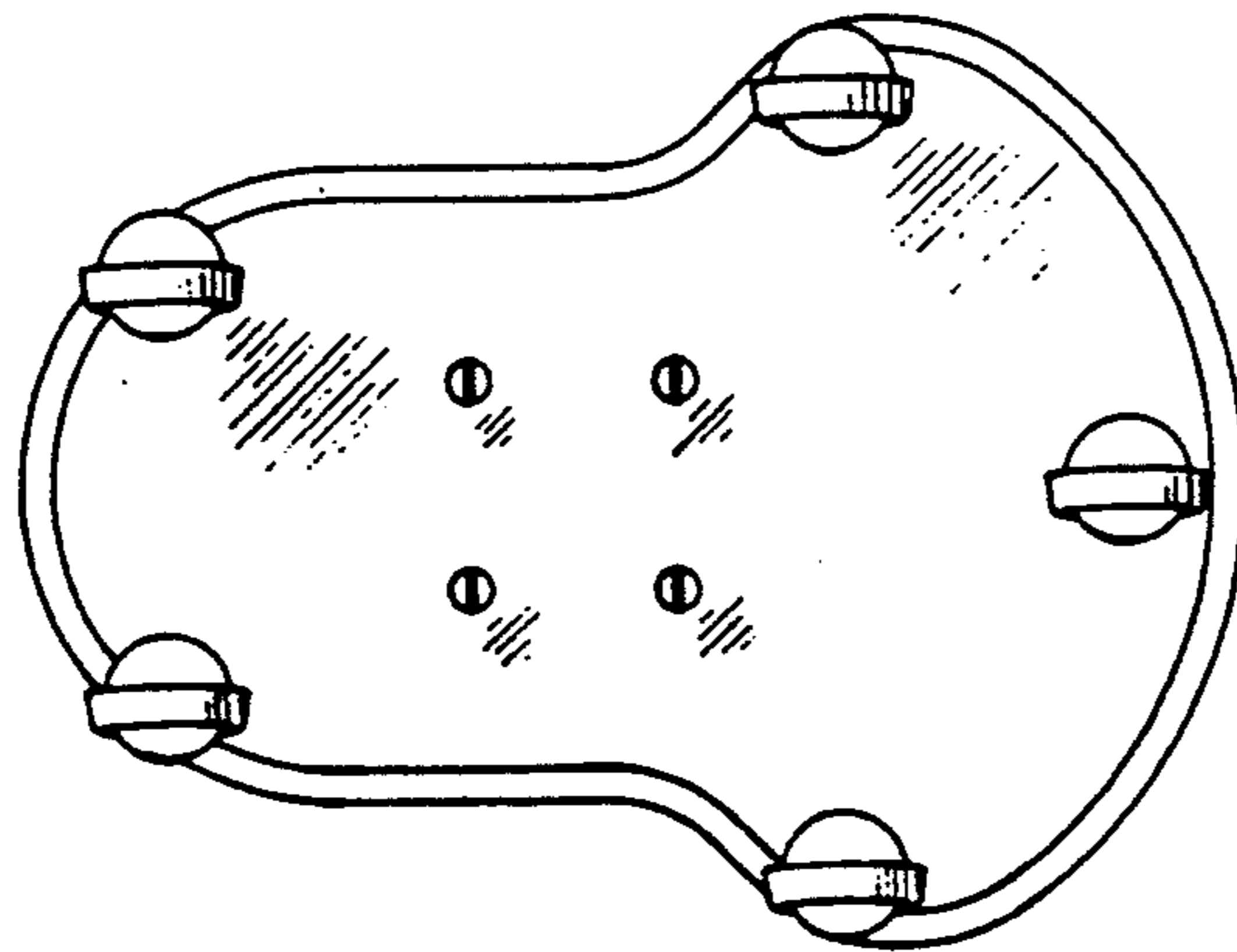


Fig-3

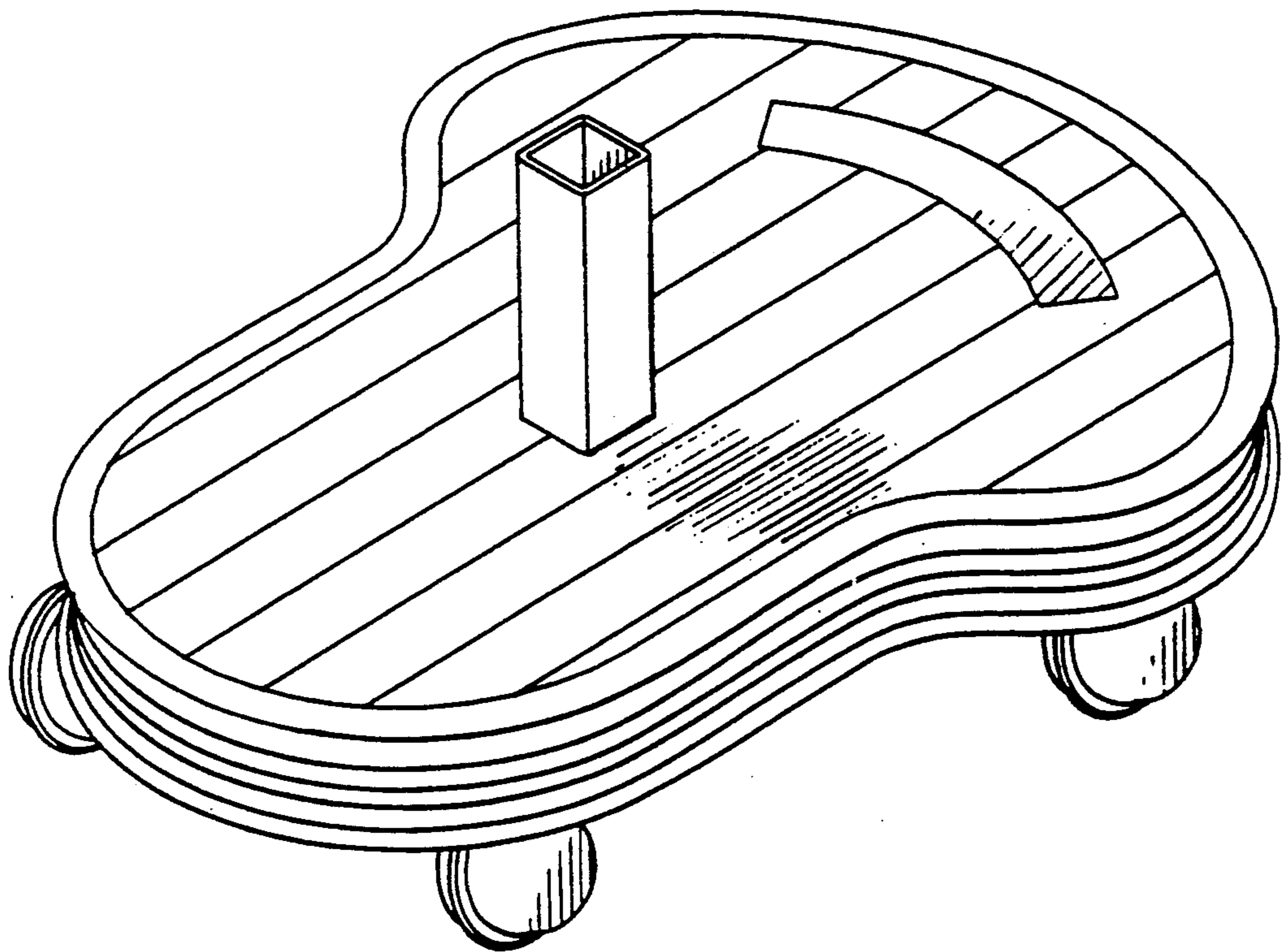


Fig-6