



US00D324967S

# United States Patent [19]

[11] Patent Number: **Des. 324,967**

Pomeroy et al.

[45] Date of Patent: **\*\* Mar. 31, 1992**

[54] **DINING TABLE**

[75] Inventors: **Charles Pomeroy; John T. Bycraft,**  
both of South Bend, Ind.

[73] Assignee: **Jack-Post Corporation,** Buchanan,  
Mich.

[\*\*] Term: **14 Years**

[21] Appl. No.: **392,142**

[22] Filed: **Aug. 10, 1989**

[52] U.S. Cl. .... **D6/487**

[58] Field of Search ..... **D6/480, 482-489,**  
**D6/429-431, 449-453, 455**

Howell ©1936, p. 23, No. 488, Tavern Table at bottom right.

Brown Jordan, ©1986, p. 52, table at bottom left.

Fiesta Royale Brochure, Jack-Post Corporation.

Holiday Club Patio Furniture, Cardinal American.

Sunstar Leisure Furniture, Behlen Mfg. Co.

Woodshed Products, Powers, Mich.

Kettler International, Inc., Virginia Beach, Va.

Barrie Corporation, Laval, Quebec.

Homecrest Industries, Inc., Wadena, MN.

Sun Terrace Casual Furniture, Clearwater, Fl.

Almet/Lawnlite, Portland, TN.

*Primary Examiner*—Bruce W. Dunkins

*Assistant Examiner*—Janice E. Seeger

*Attorney, Agent, or Firm*—Arnold, White & Durkee

[56] **References Cited**

**U.S. PATENT DOCUMENTS**

D. 233,277	10/1974	Beller	.....	D6/487 X
D. 263,774	4/1982	Deconinck	.....	D6/487
D. 266,638	10/1982	Donan et al.	.....	D6/480
D. 279,634	7/1985	Platner	.....	6/487
D. 280,275	8/1985	Criqui et al.	.....	6/487
D. 280,371	9/1985	Bayly	.....	D6/487 X
D. 287,677	1/1987	Pomeroy et al.	.....	D6/487 X
3,366,079	7/1966	Koransky et al.	.....	108/157

**OTHER PUBLICATIONS**

*Interiors*, Oct. 1983, p. 38, umbrella table at top.

[57] **CLAIM**

The ornamental design for the dining table, as shown and described.

**DESCRIPTION**

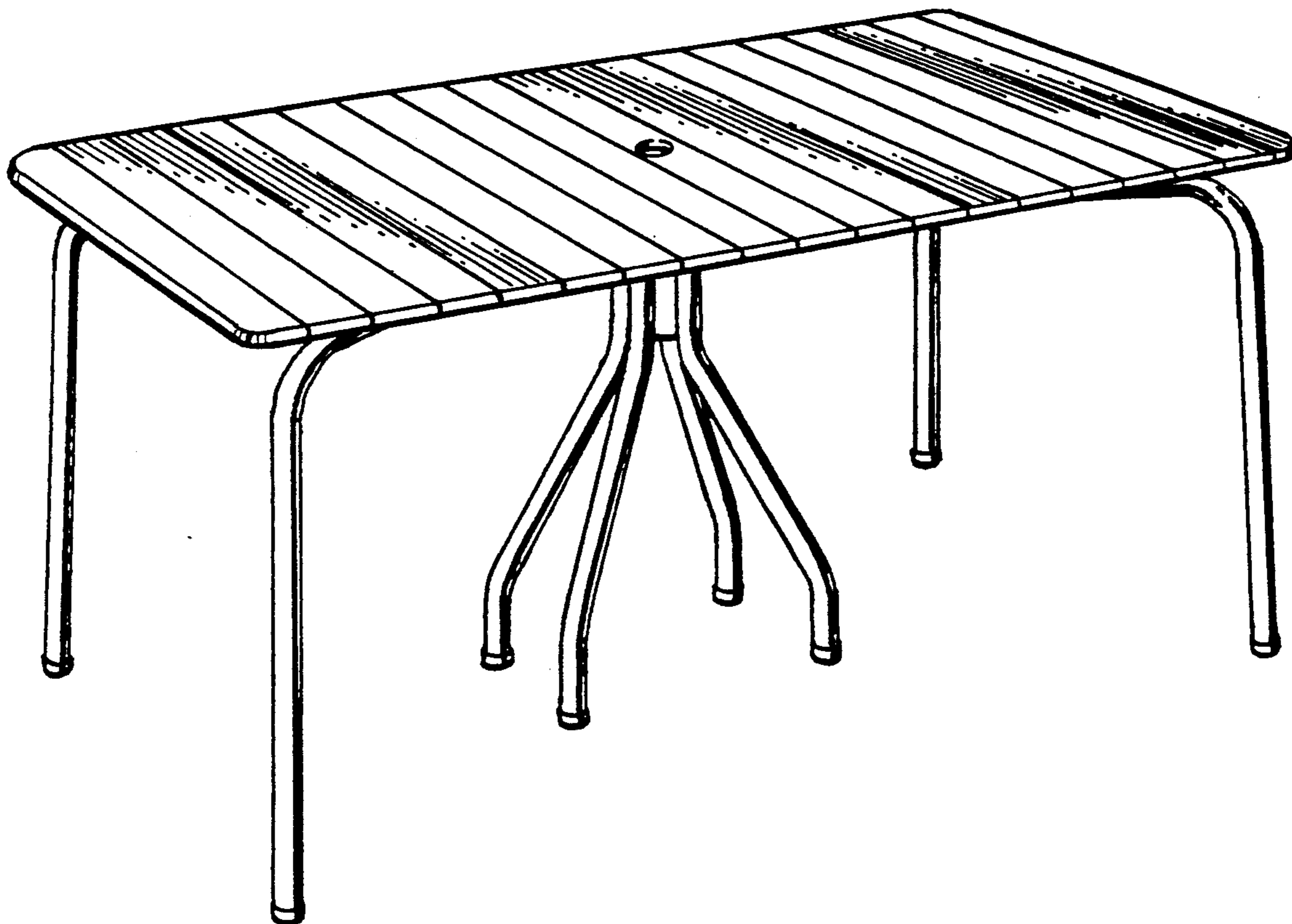
FIG. 1 is a perspective view of a dining table showing our new design;

FIG. 2 is a top plan view;

FIG. 3 is an end elevational view, the opposite end being a mirror image thereof;

FIG. 4 is a side elevational view, the opposite side being a mirror image thereof; and,

FIG. 5 is a bottom plan view.



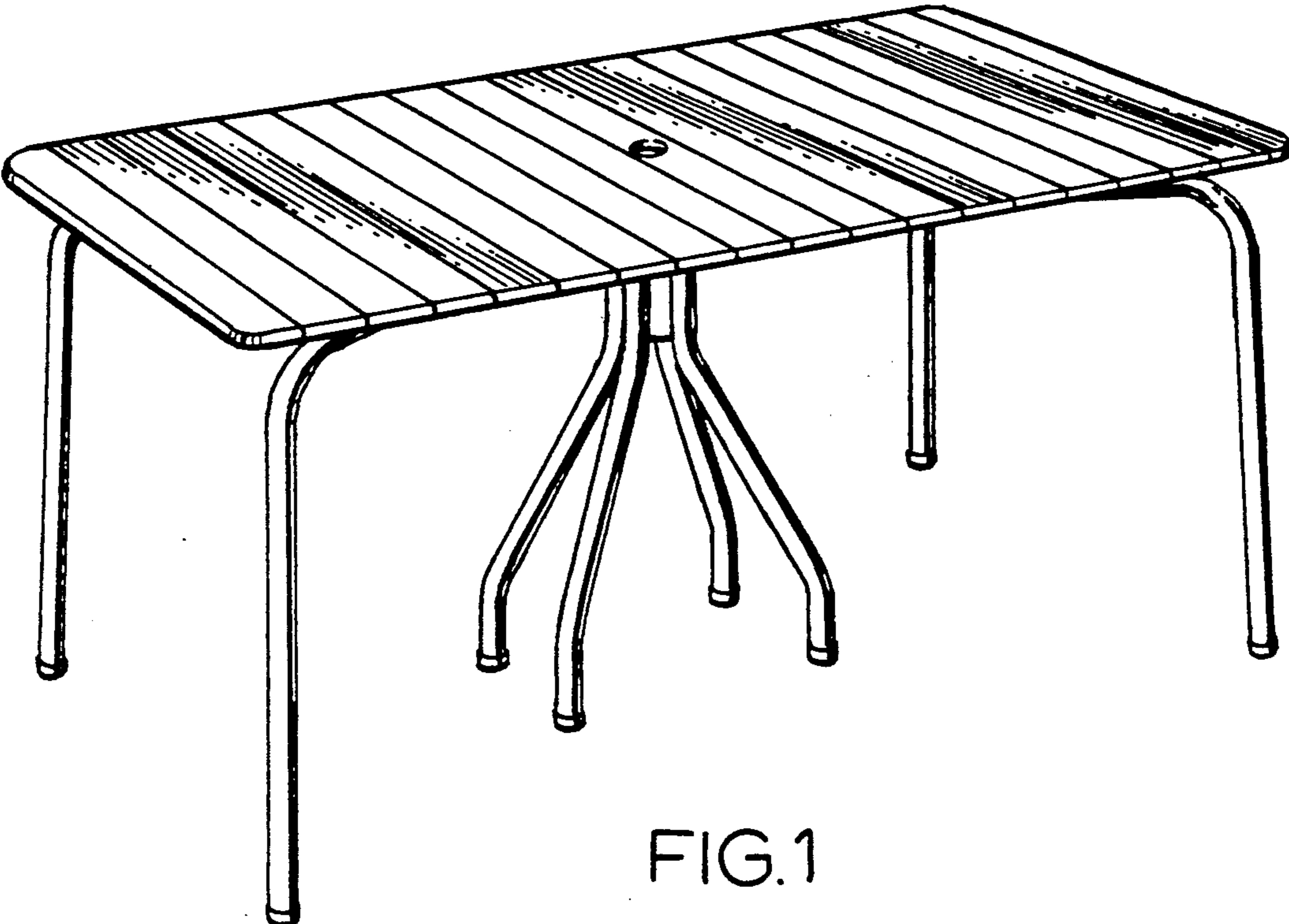


FIG. 1

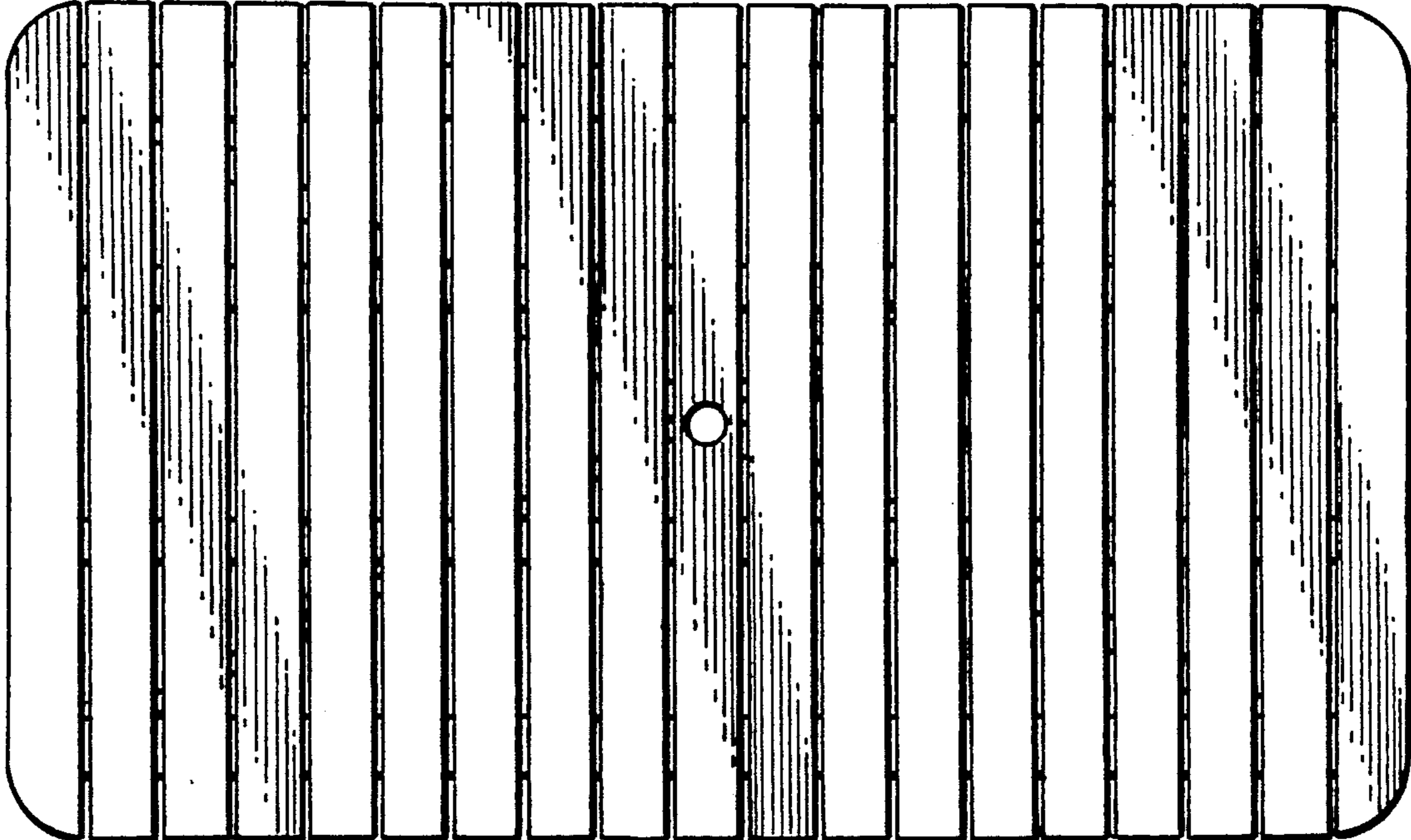


FIG. 2

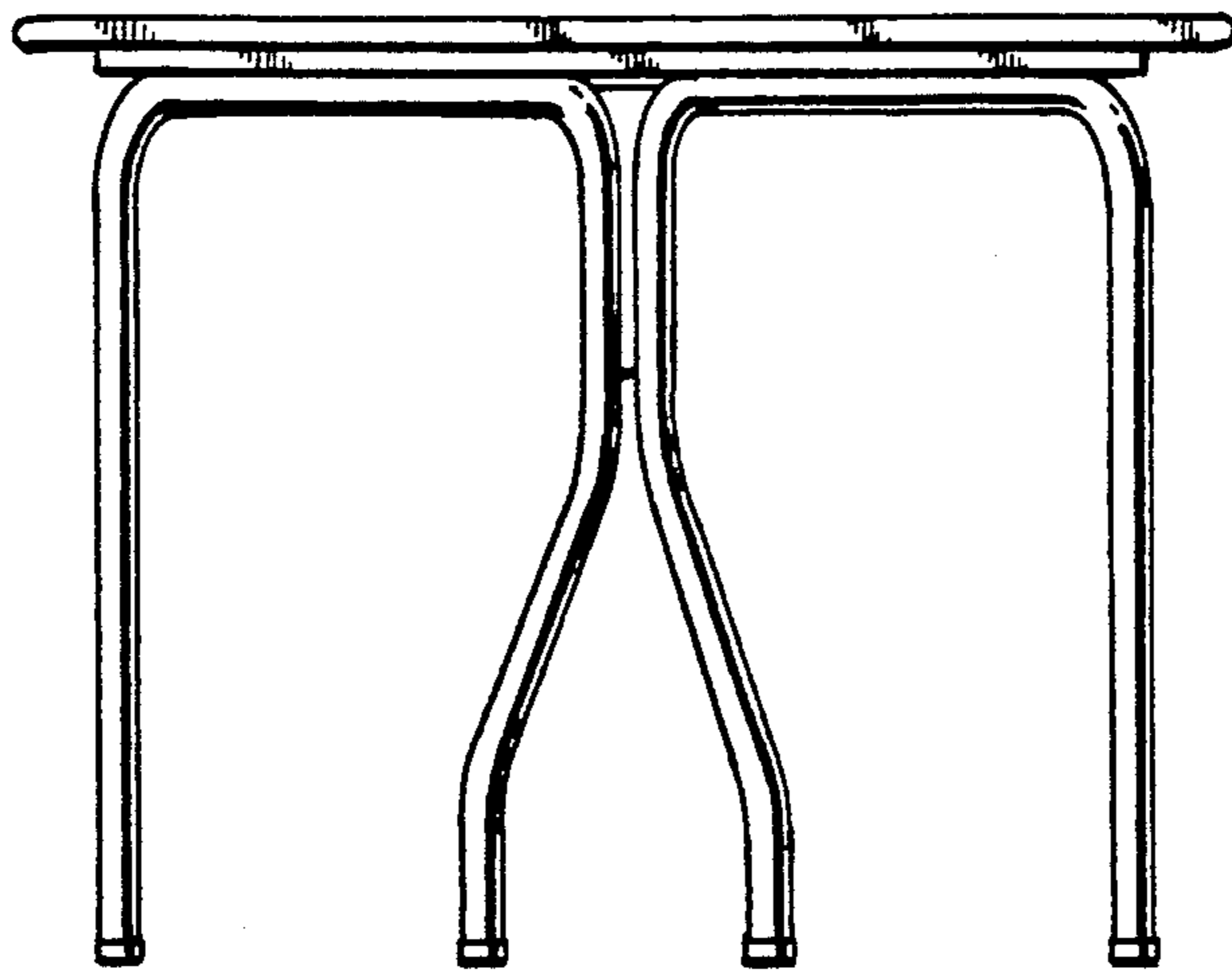


FIG. 3

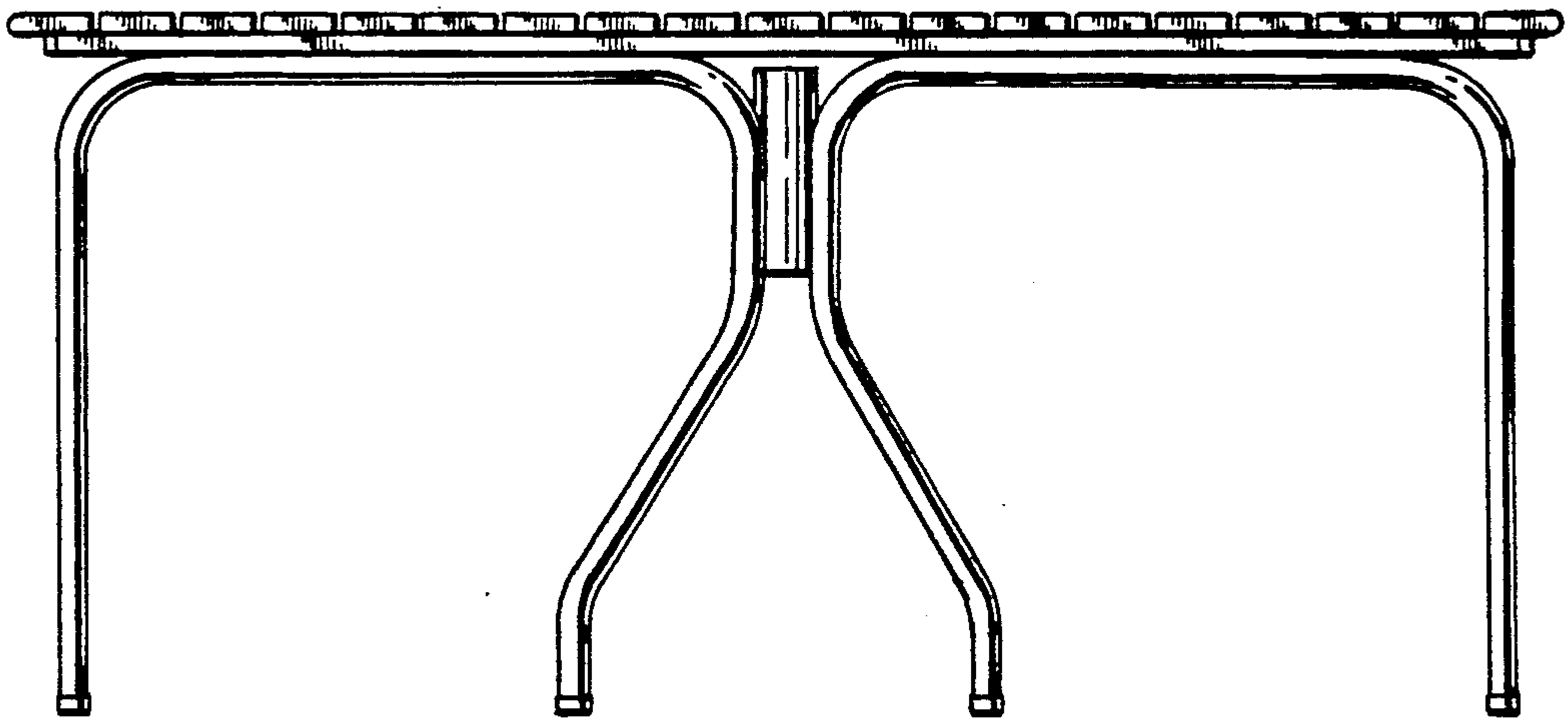


FIG. 4

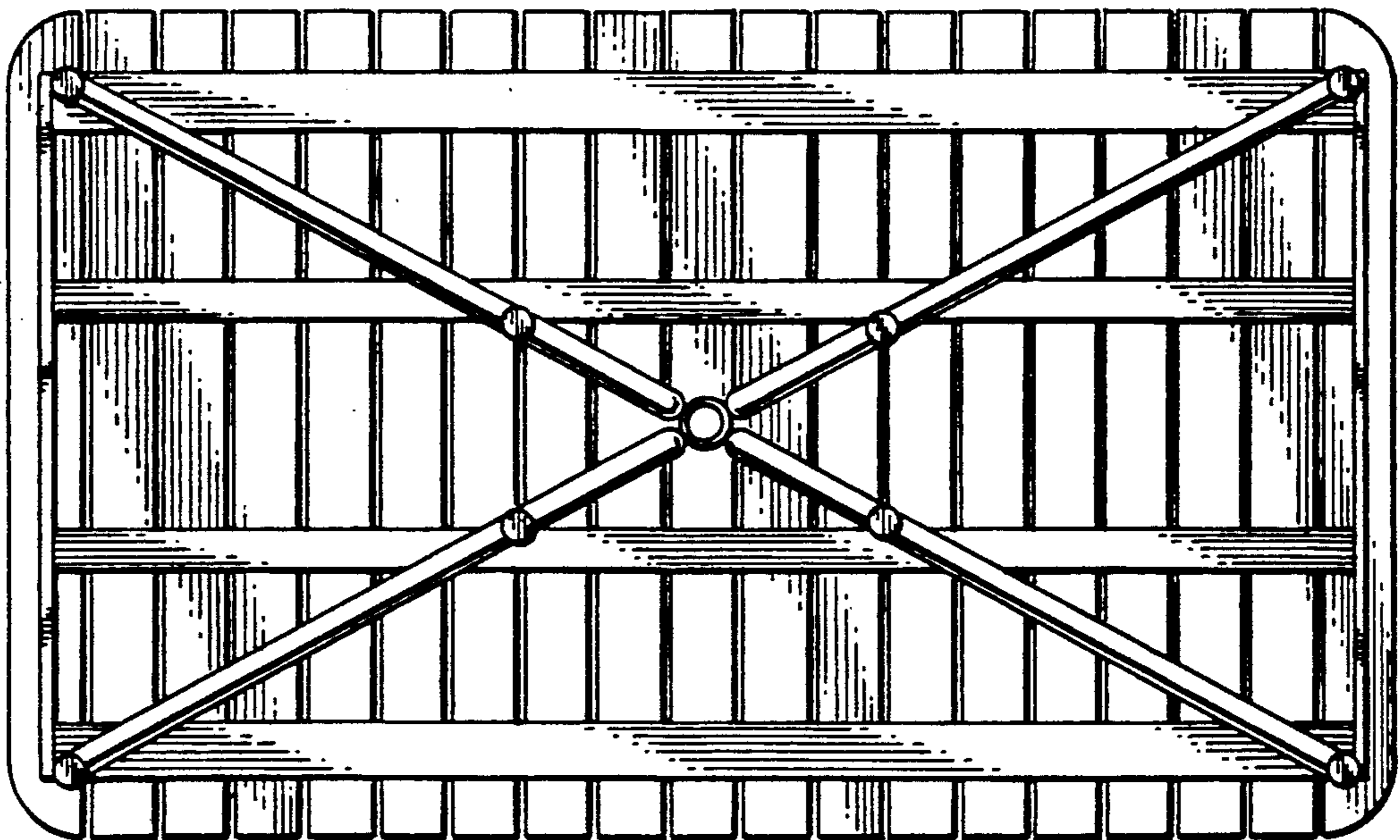


FIG. 5