



US00D324964S

United States Patent [19]
Ryaa

[11] **Patent Number: Des. 324,964**
[45] **Date of Patent: ** Mar. 31, 1992**

[54] **TOY BOX**
[75] **Inventor: Jan Ryaa, Billund, Denmark**
[73] **Assignee: Interlego A.G., Baar, Switzerland**
[**] **Term: 14 Years**
[21] **Appl. No.: 442,924**
[22] **Filed: Nov. 29, 1989**
[30] **Foreign Application Priority Data**
Sep. 28, 1989 [DK] Denmark MA 1191 1989
[52] **U.S. Cl. D6/440; D6/396;**
D6/407; D21/108; 312/258
[58] **Field of Search D6/396, 407, 422, 429,**
D6/432, 440; D3/35; 211/40, 41, 126; 206/309,
387; 312/194, 12, 195, 258; 217/5, 56, 59;
108/27, 50; D21/108, 59, 121; D19/75, 423

D. 298,515 11/1988 Pennell D9/423
D. 299,474 1/1989 Klodt D3/35 X
D. 317,635 6/1991 Eggert et al. D21/108
D. 318,077 7/1991 Larsen et al. D21/108
4,804,877 2/1989 Harwood 312/258 X

Primary Examiner—Bruce W. Dunkins
Assistant Examiner—Monica A. Hannon
Attorney, Agent, or Firm—Kane, Dalsimer, Sullivan,
Kurucz, Levy, Eisele and Richard

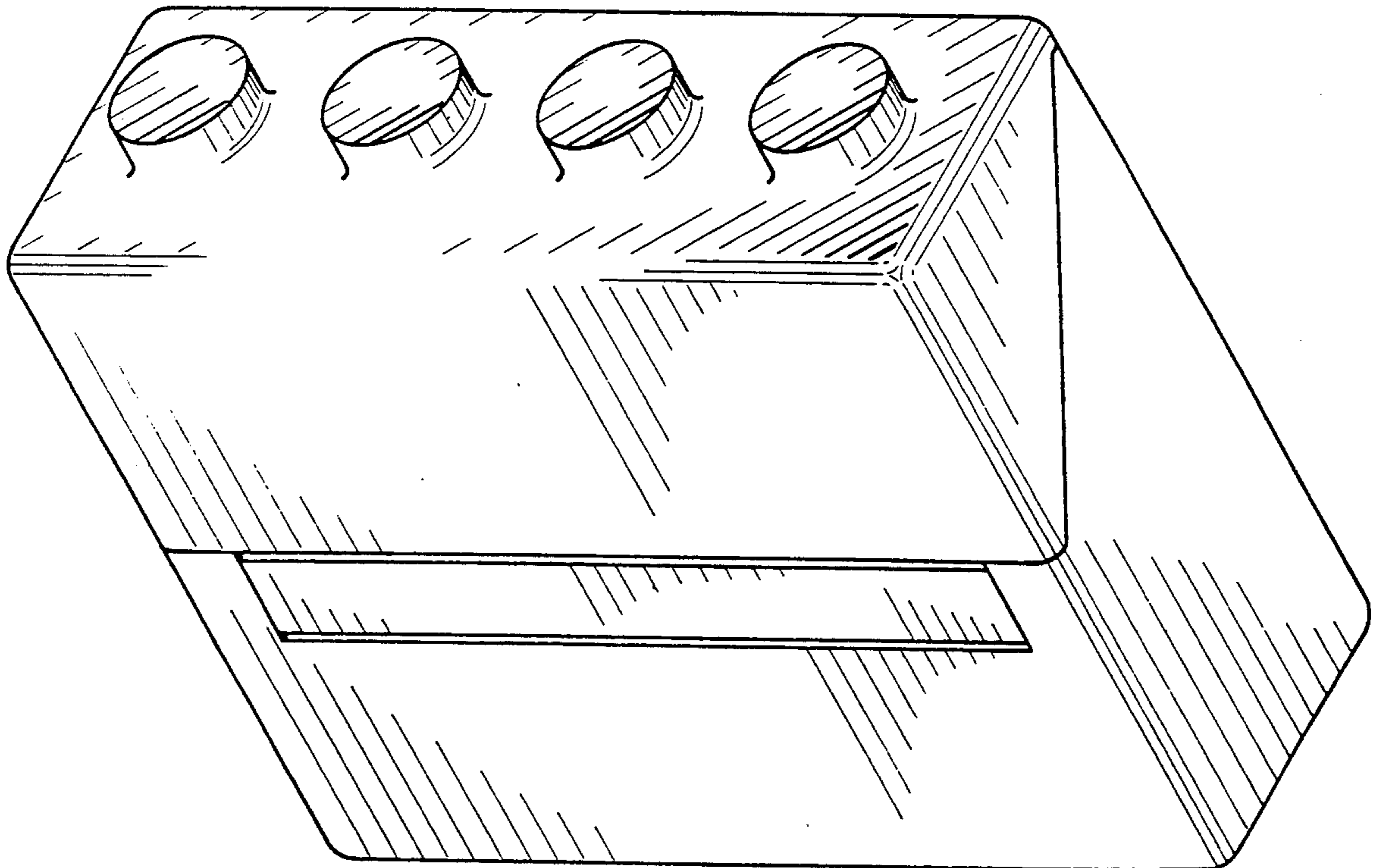
[57] **CLAIM**

The ornamental design for toy box, as shown and described.

DESCRIPTION

FIG. 1 is a top perspective view of the toy box showing my new design;
FIG. 2 is a front elevational view;
FIG. 3 is a side elevational view, the opposite side being a mirror image thereof;
FIG. 4 is a rear elevational view;
FIG. 5 is a top plan view;
FIG. 6 is a bottom plan view; and,
FIG. 7 is a top perspective view of the article in an open position and drawn to a reduced scale with respect to FIG. 1.

[56] **References Cited**
U.S. PATENT DOCUMENTS
D. 211,187 5/1968 Florane D6/407
D. 252,977 9/1979 Bayly D21/108 X
D. 273,660 5/1984 Weinberg D9/423 X
D. 290,628 6/1987 Dideriksen D21/108



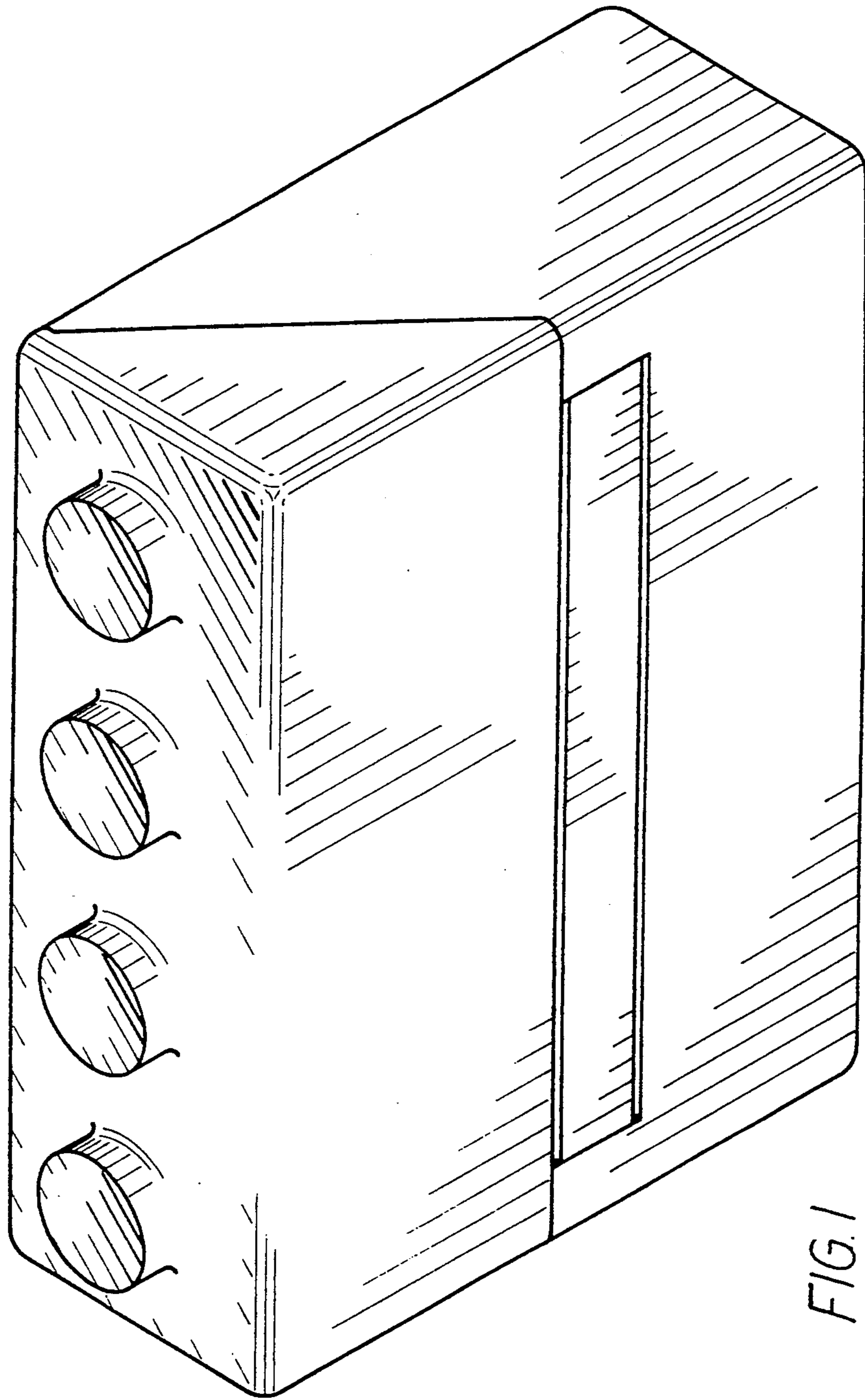


FIG. 1

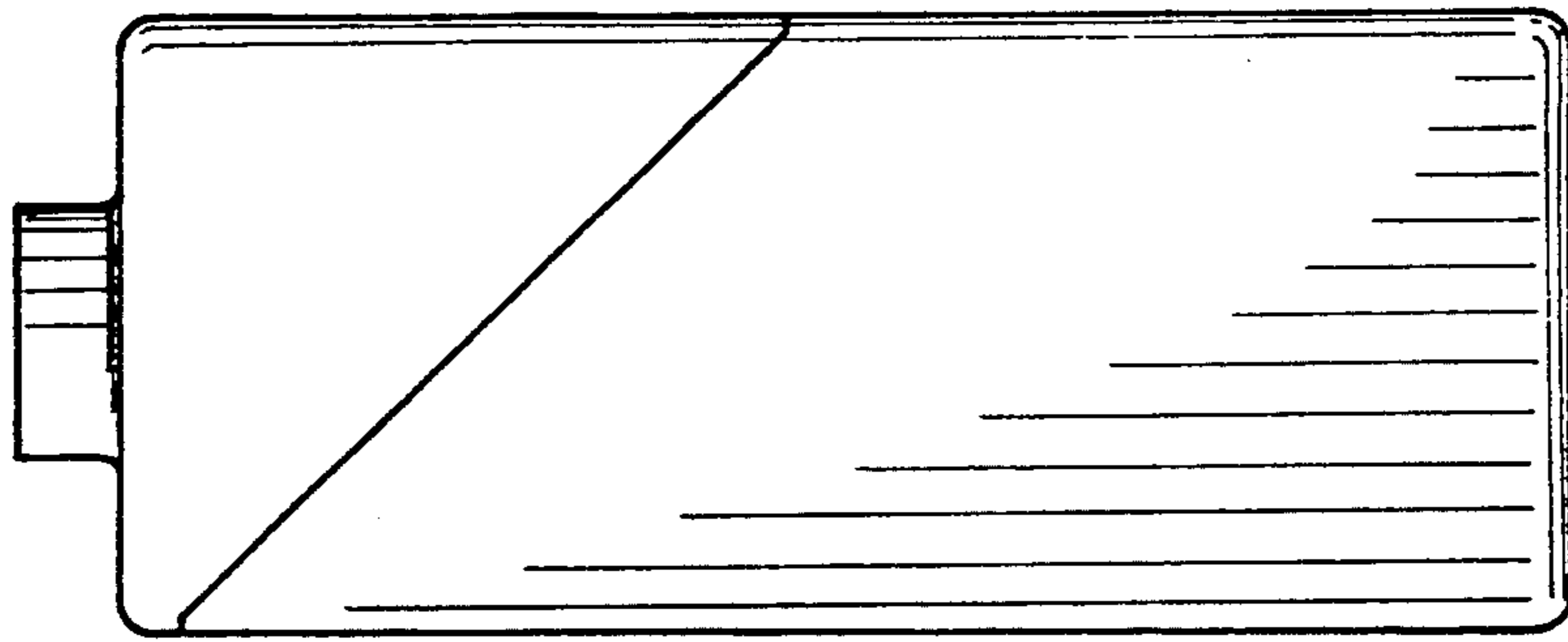


FIG. 3

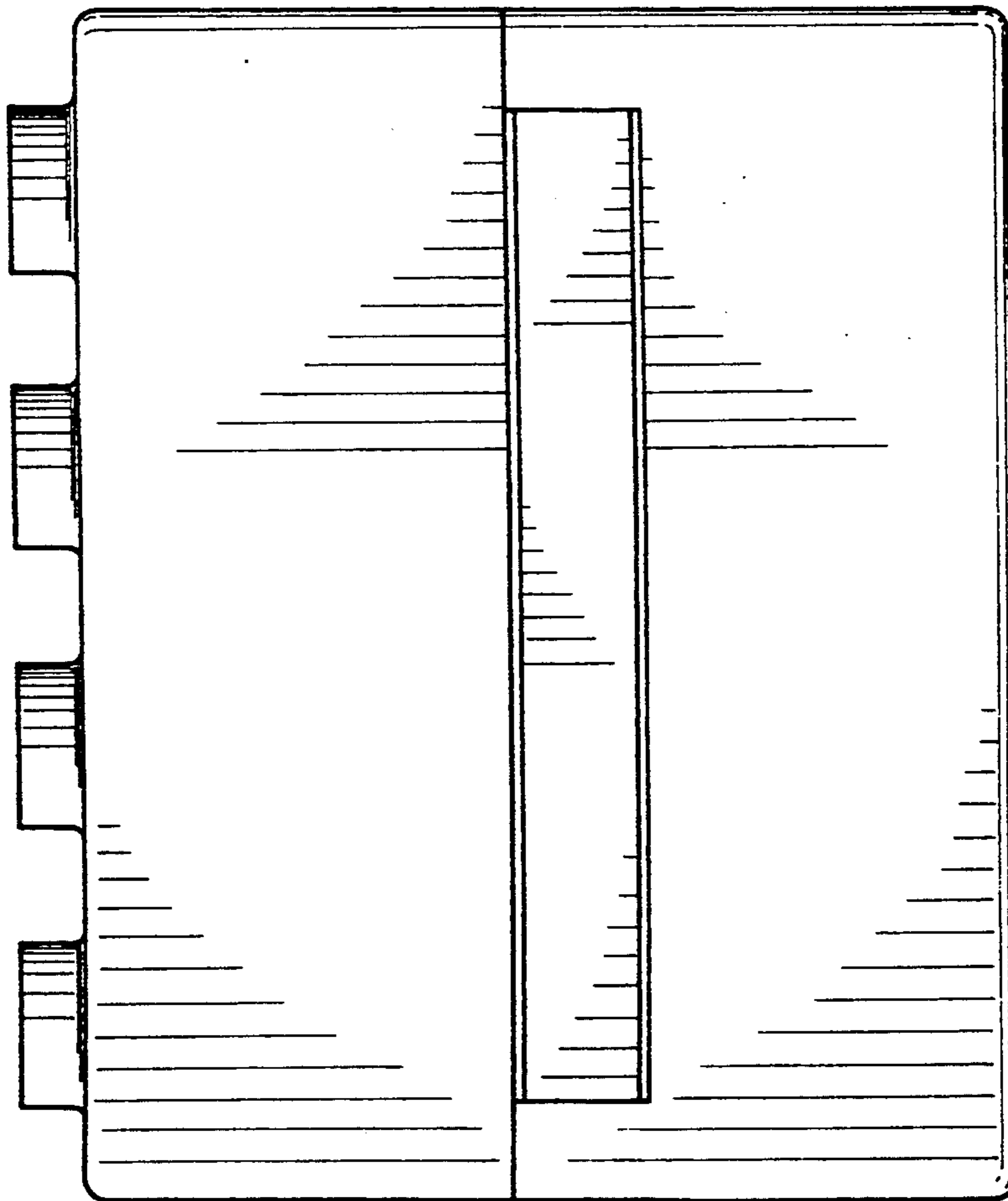


FIG. 2

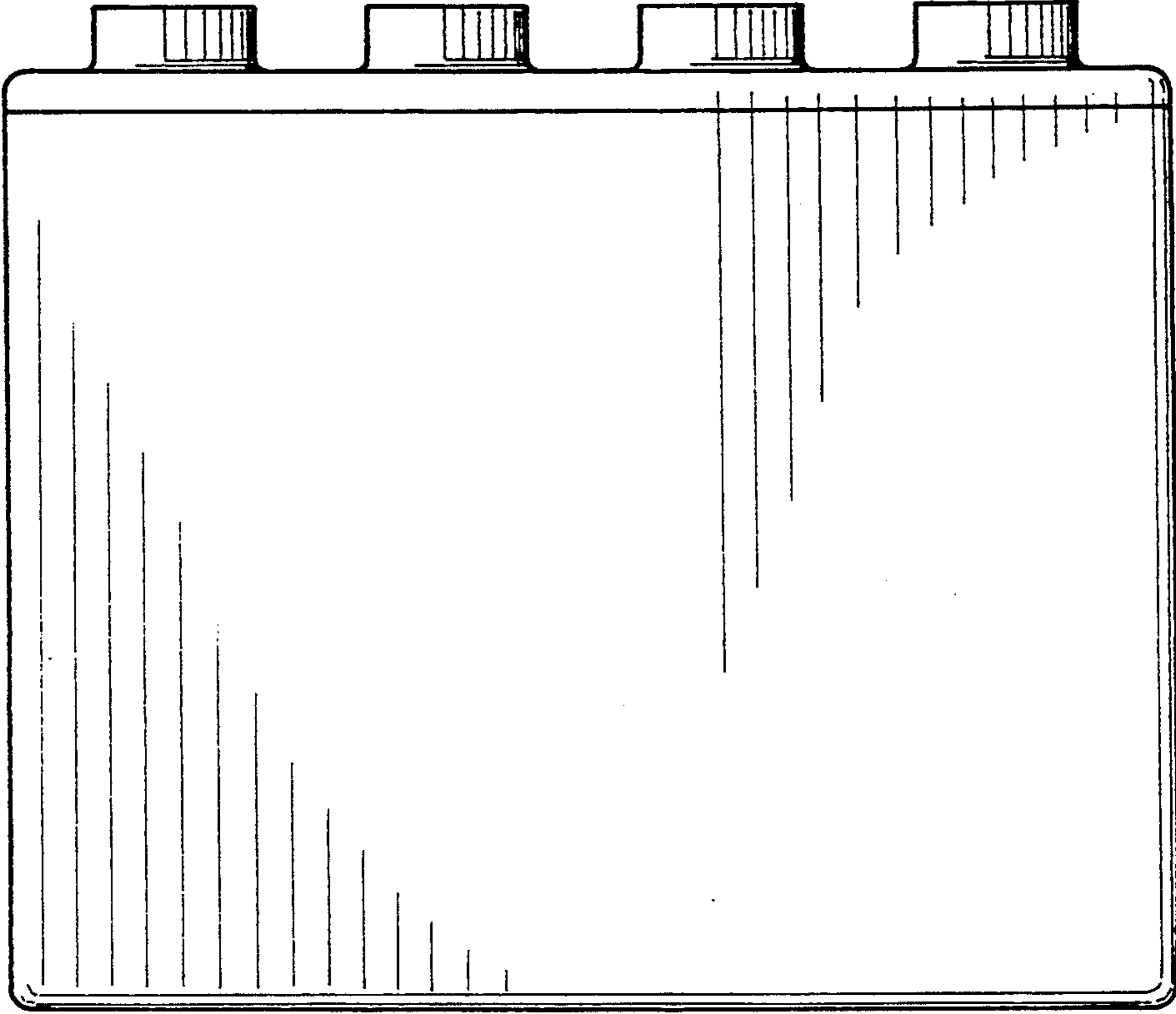


FIG. 4

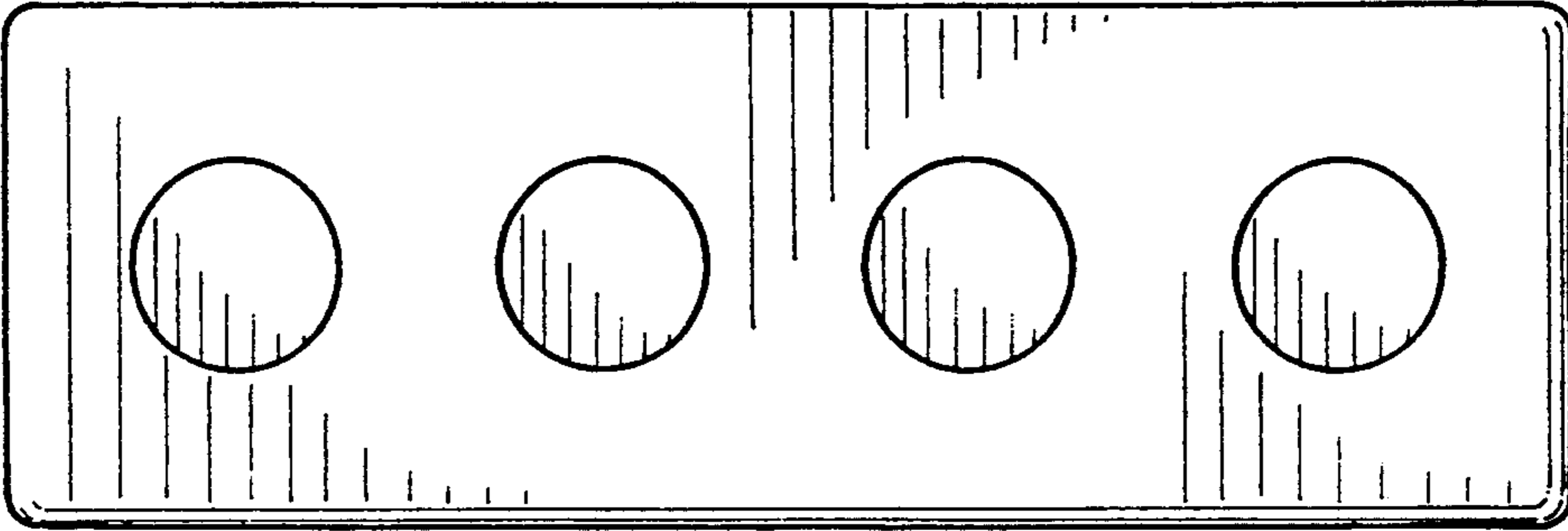


FIG. 5

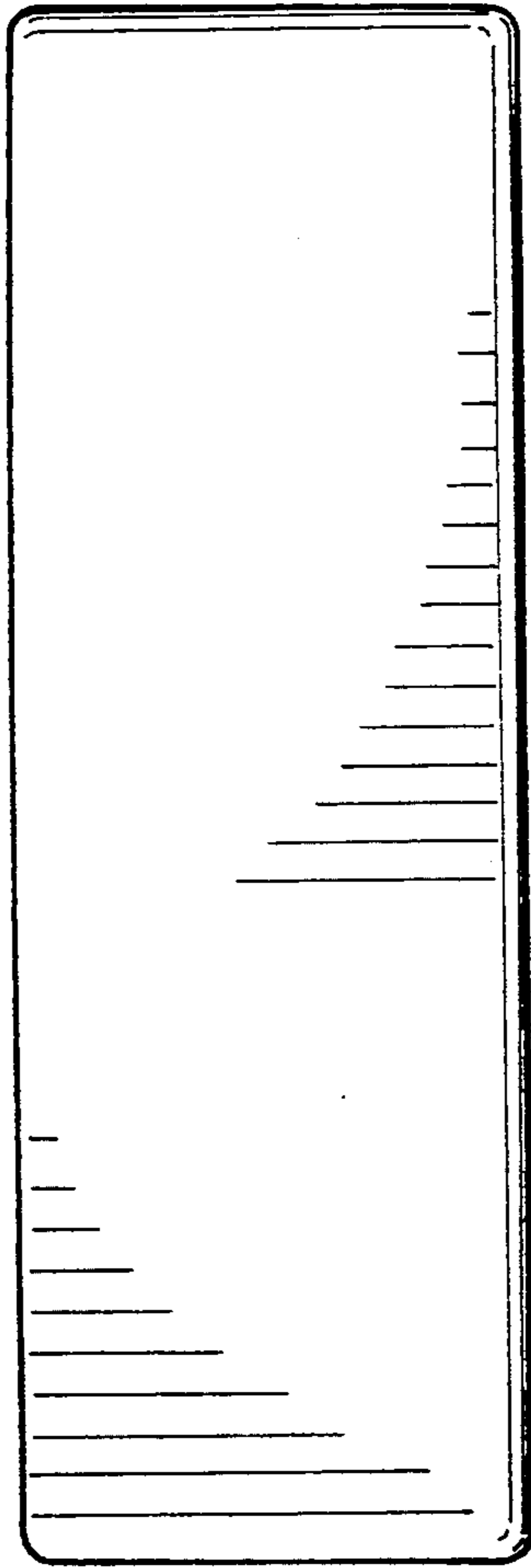


FIG. 6

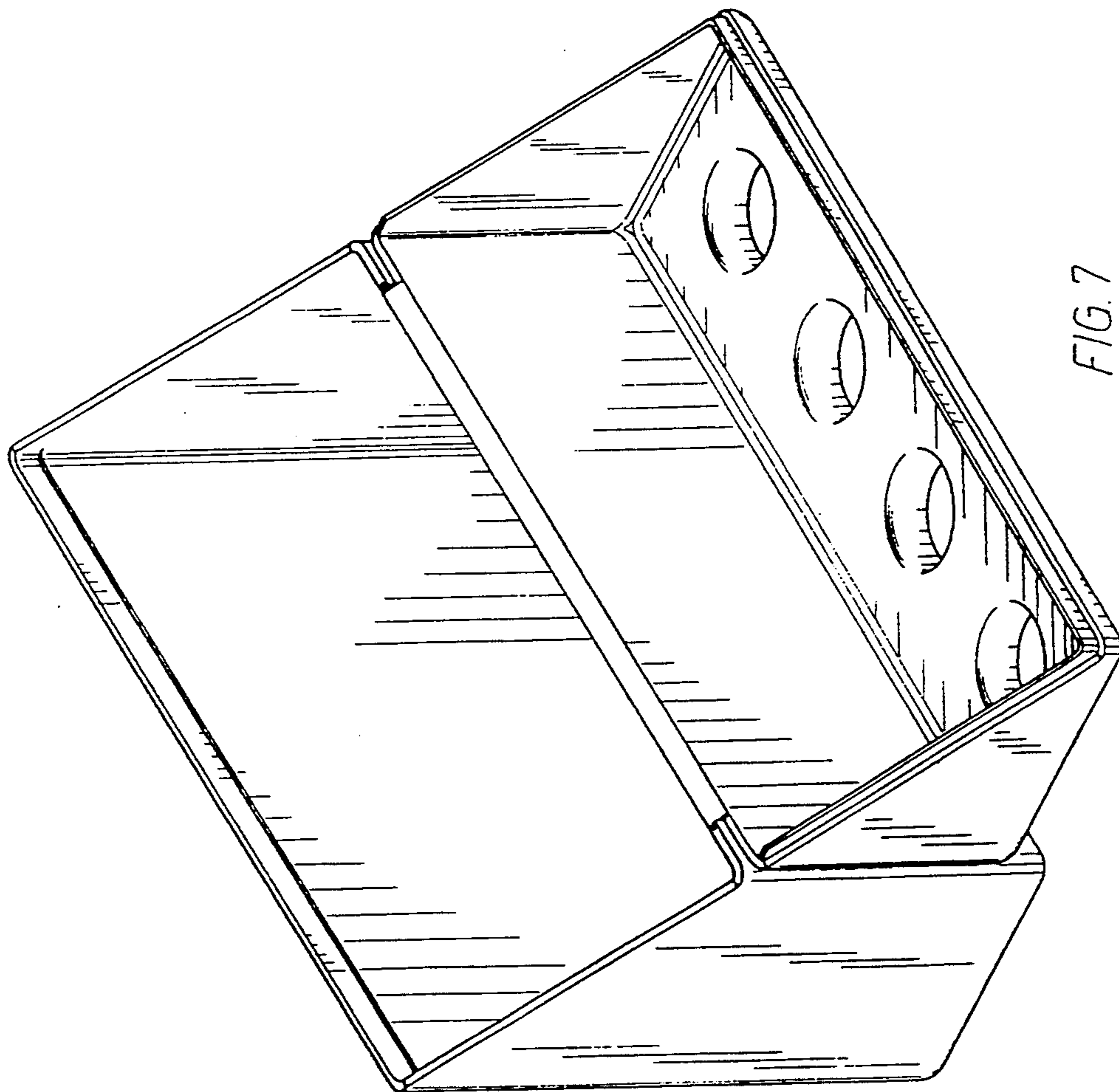


FIG. 7