



US00D324963S

United States Patent [19] LaCour

[11] Patent Number: **Des. 324,963**

[45] Date of Patent: **** Mar. 31, 1992**

[54] **DESK**

[75] Inventor: **Paul M. LaCour, Ridgewood, N.J.**

[73] Assignee: **LaCour Incorporated, Harrington Park, N.J.**

[**] Term: **14 Years**

[21] Appl. No.: **308,104**

[22] Filed: **Feb. 8, 1989**

[52] U.S. Cl. **D6/422; D6/396; D6/423; 312/194; 312/195; 312/196**

[58] Field of Search **D6/422, 418, 423, 424, D6/425, 426, 427, 428; 312/183, 194, 195, 196**

[56] **References Cited**

U.S. PATENT DOCUMENTS

D. 162,927	4/1951	Bloom	312/194 X
D. 167,248	7/1952	Becker	D6/422
D. 172,098	5/1954	Knoll	.
D. 177,218	3/1956	Collins	.
D. 180,224	5/1957	Delynn	D6/422
D. 192,009	1/1962	Deaton	D6/426
D. 223,371	4/1972	Allen	D6/422
D. 298,889	12/1988	LaCour	.
D. 298,890	12/1988	LaCour	.
1,886,766	11/1932	Ulrich	.

2,306,209	12/1942	Elofson et al.	.
2,664,331	12/1953	Glotfelter	312/194
2,694,614	11/1954	Dent	.
3,079,207	2/1963	Deaton	312/195
3,862,785	1/1975	Scheerhorn et al.	.
4,258,963	3/1981	Fusselman et al.	312/196 X
4,323,291	4/1982	Ball	312/195 X
4,619,486	10/1986	Hannah et al.	.
4,798,423	1/1989	LaCour	.

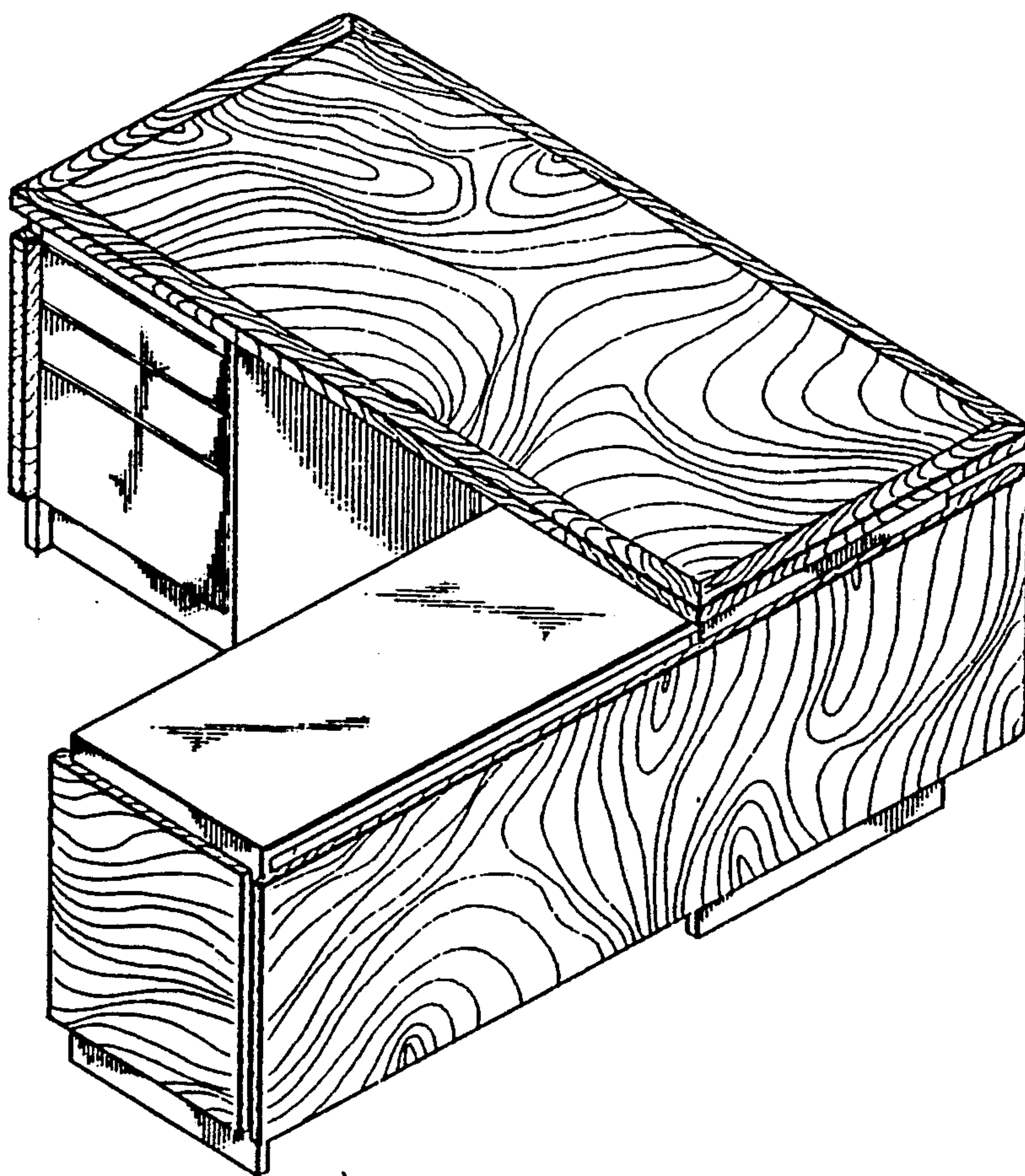
Primary Examiner—Bruce W. Dunkins
Assistant Examiner—Monica A. Hannon
Attorney, Agent, or Firm—Ralph W. Selitto, Jr.

[57] CLAIM

The ornamental design for a desk, as shown and described.

DESCRIPTION

FIG. 1 is a front perspective view of a desk showing my new design;
FIG. 2 is a front elevational view thereof;
FIG. 3 is a rear elevational view thereof;
FIG. 4 is a left side elevational view thereof;
FIG. 5 is a right side elevational view thereof;
FIG. 6 is a top plan view thereof;
FIG. 7 is a bottom plan view thereof; and,
FIG. 8 is a front perspective view of a second embodiment of the desk thereof.



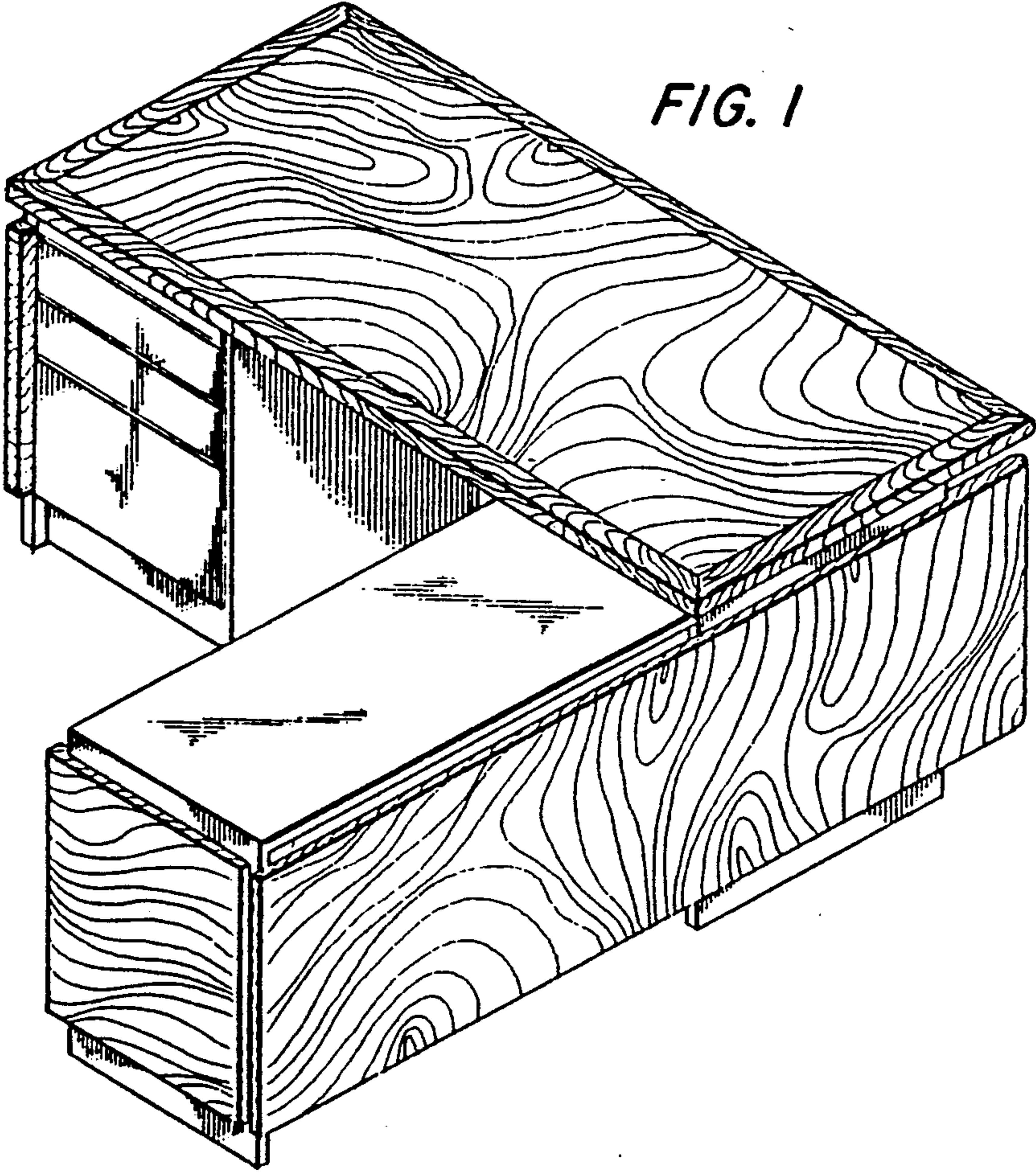


FIG. 2

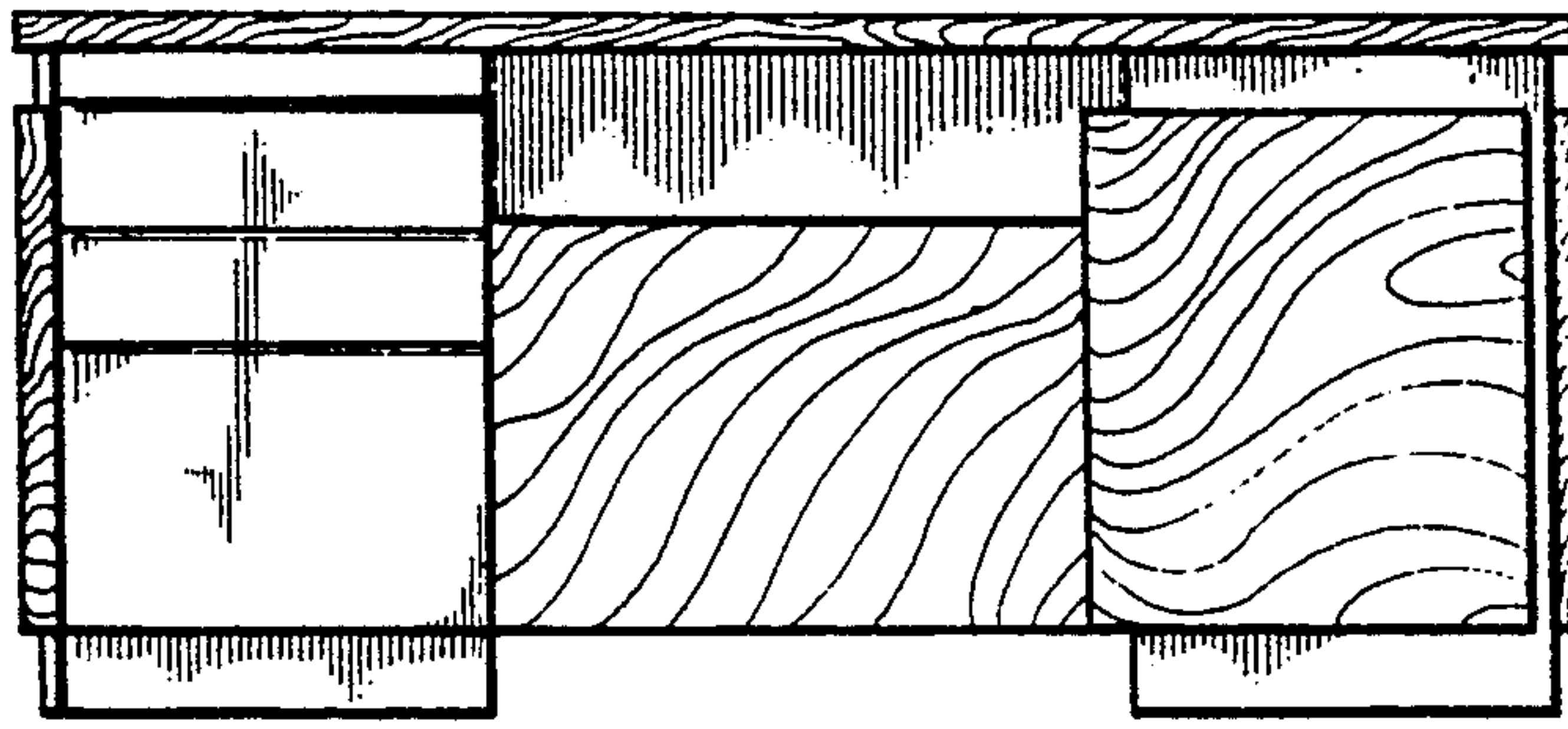


FIG. 3

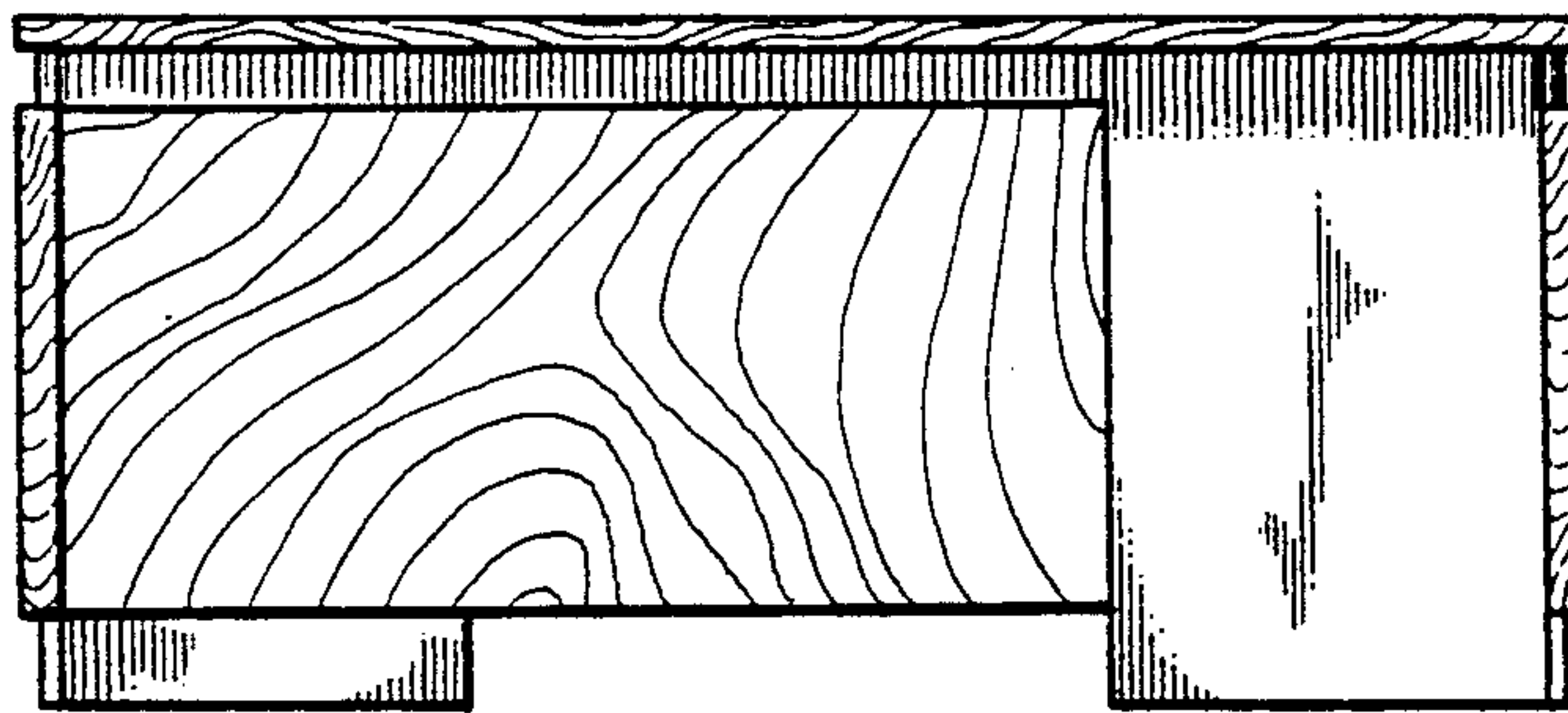


FIG. 4

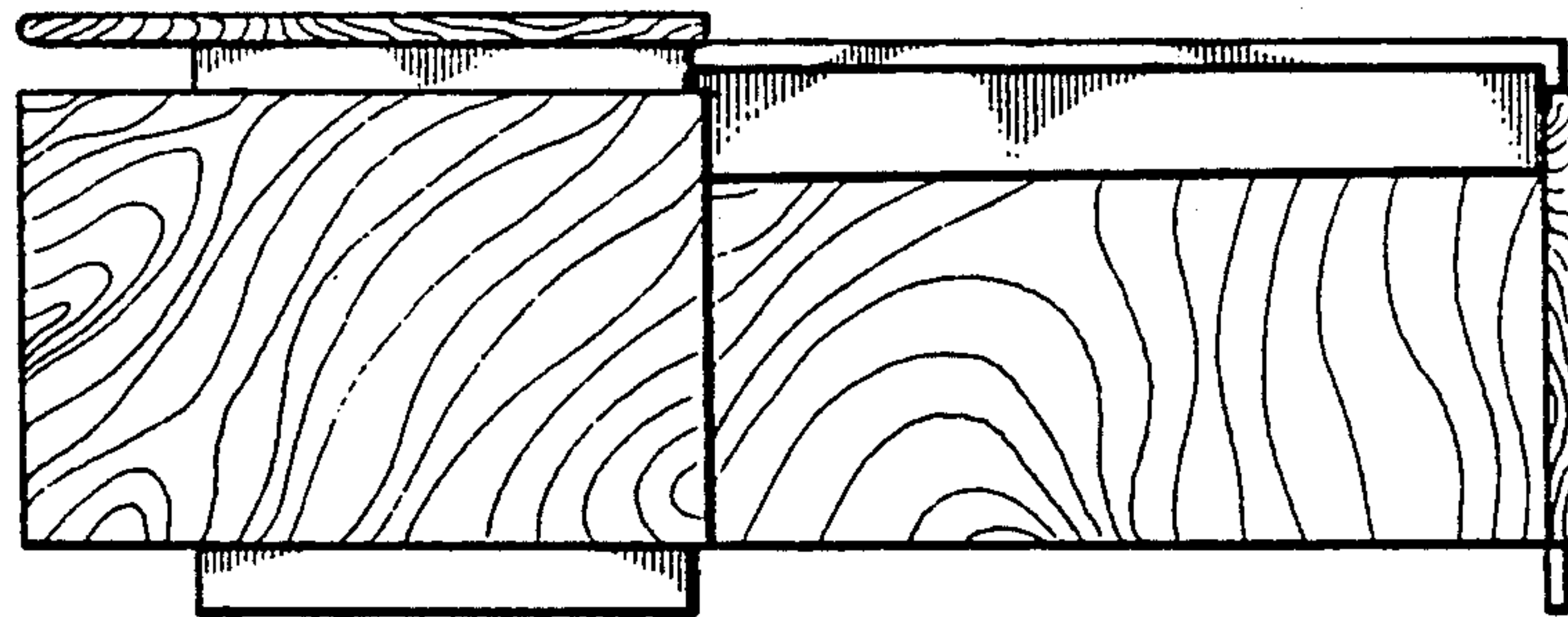


FIG. 5

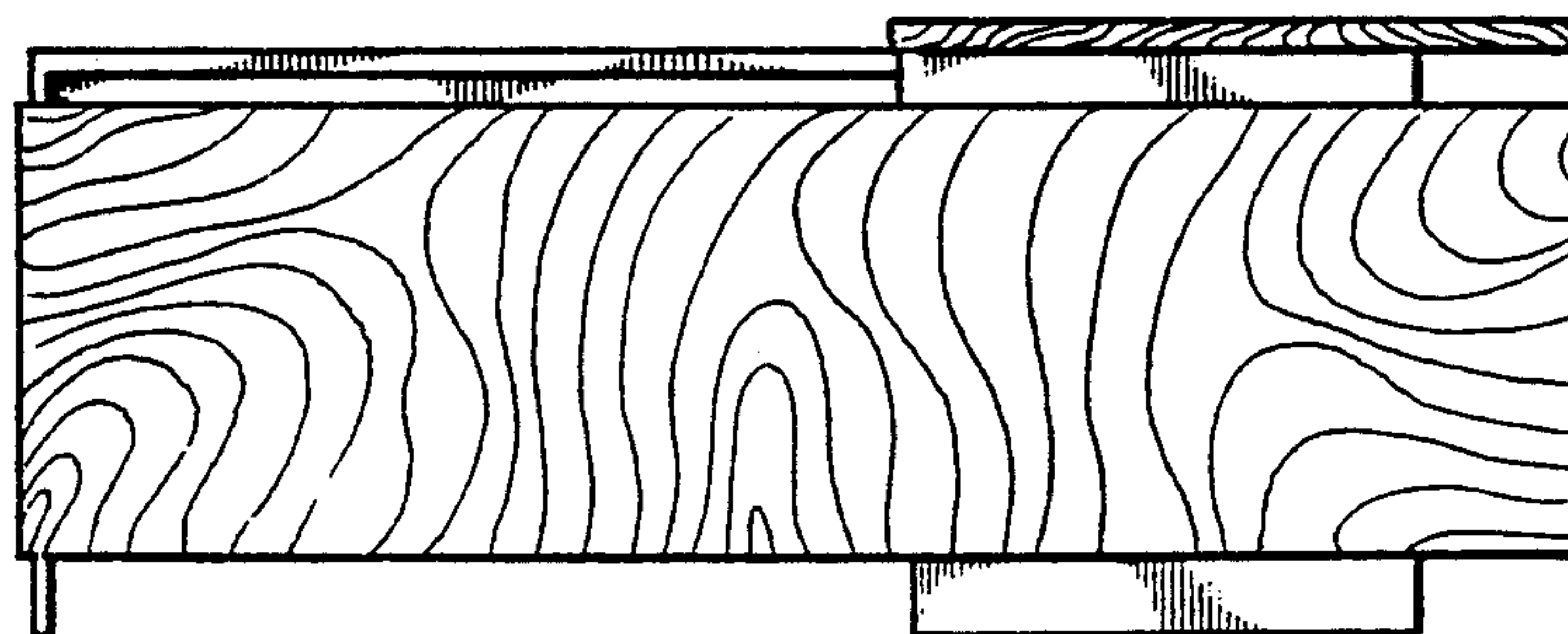


FIG. 6

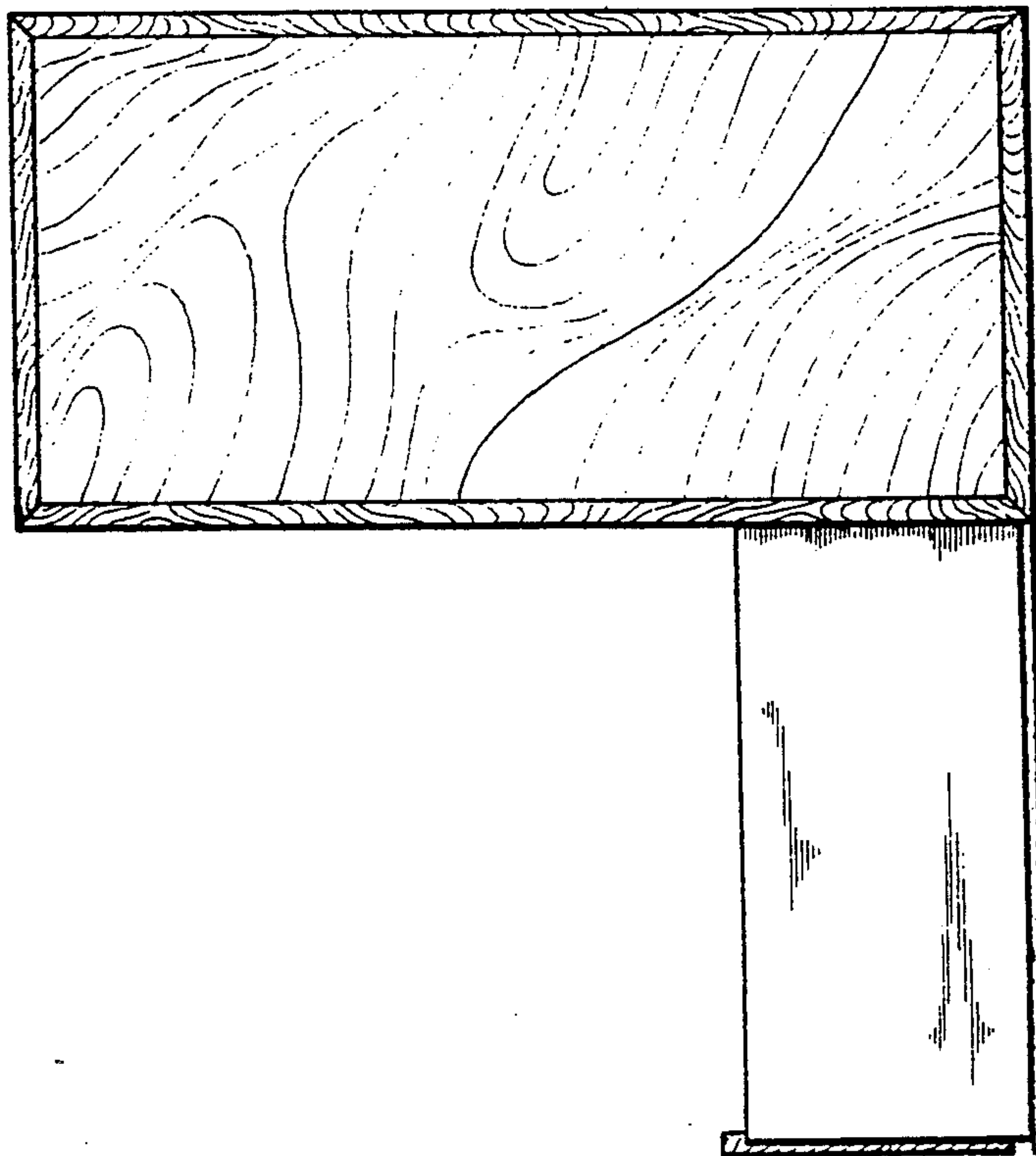
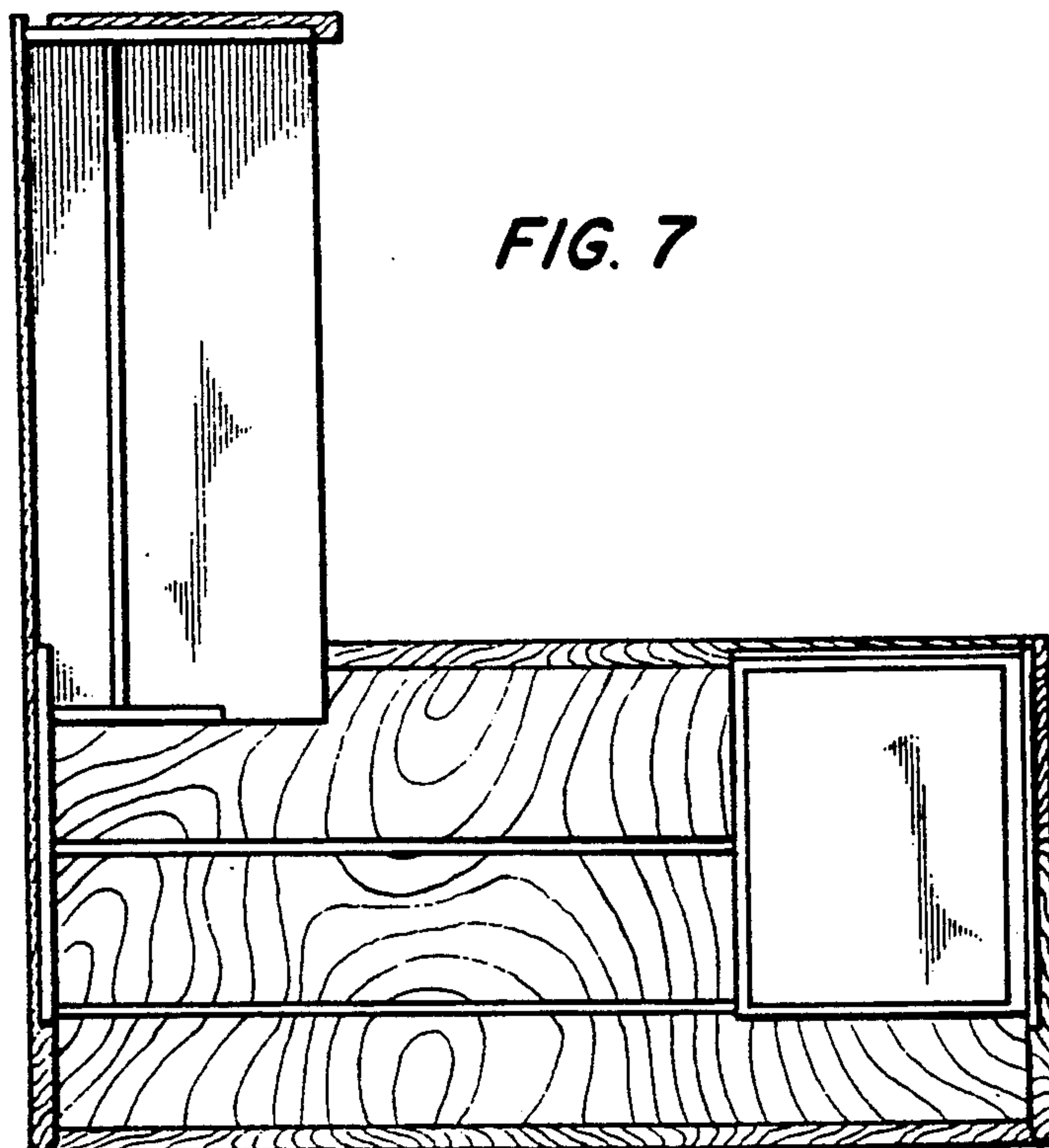


FIG. 7



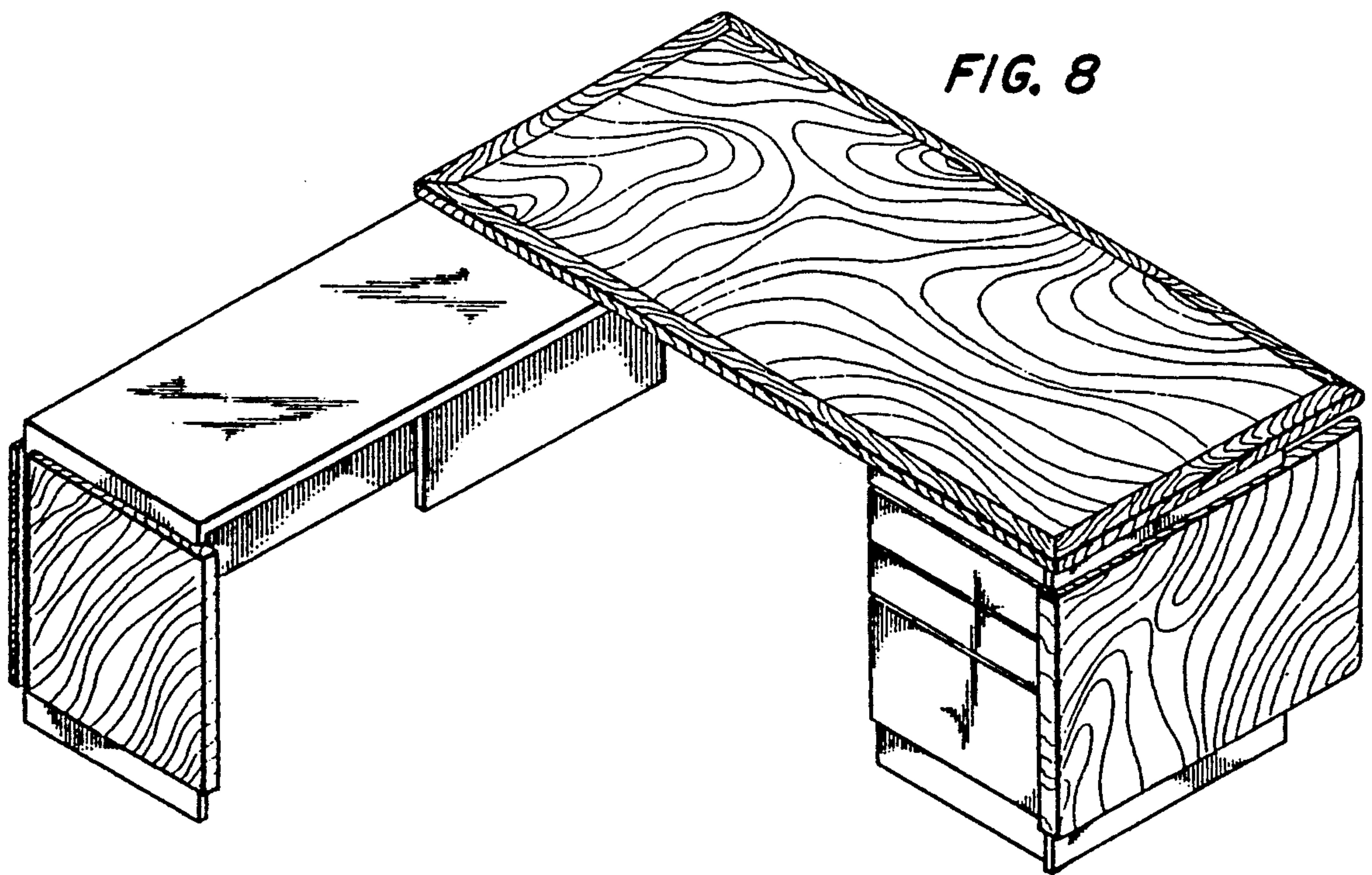


FIG. 8