



US00D324962S

United States Patent [19]

Meeker

[11] Patent Number: **Des. 324,962**

[45] Date of Patent: **** Mar. 31, 1992**

[54] CHILD'S DESK

[76] Inventor: **Paul K. Meeker**, 113 W. Mennonite Rd., Aurora, Ohio 44202

[**] Term: **14 Years**

[21] Appl. No.: **422,918**

[22] Filed: **Oct. 16, 1989**

[52] U.S. Cl. **D6/420; D6/338; D6/406; D6/419; 312/298**

[58] Field of Search **D6/301, 310-315, D6/338, 406, 411, 412, 419, 420, 429-431, 434, 435; D7/546, 550-559, 698, 699; 211/151; 312/224, 225, 246, 298, 350, 348.3, 348.4, 384.5**

[56] **References Cited**

U.S. PATENT DOCUMENTS

- D. 119,253 3/1940 Balleydier D6/338
- D. 151,218 10/1948 Cameron D6/338
- D. 153,373 4/1949 Metro D6/338
- D. 250,437 12/1978 Korpijaakko et al. D6/420

- D. 282,218 1/1986 Catelli D6/406 X
- D. 283,474 4/1986 Appel D6/419 X
- D. 293,254 12/1987 Appel et al. D6/420 X
- 3,152,848 10/1964 Kalk 312/298 X

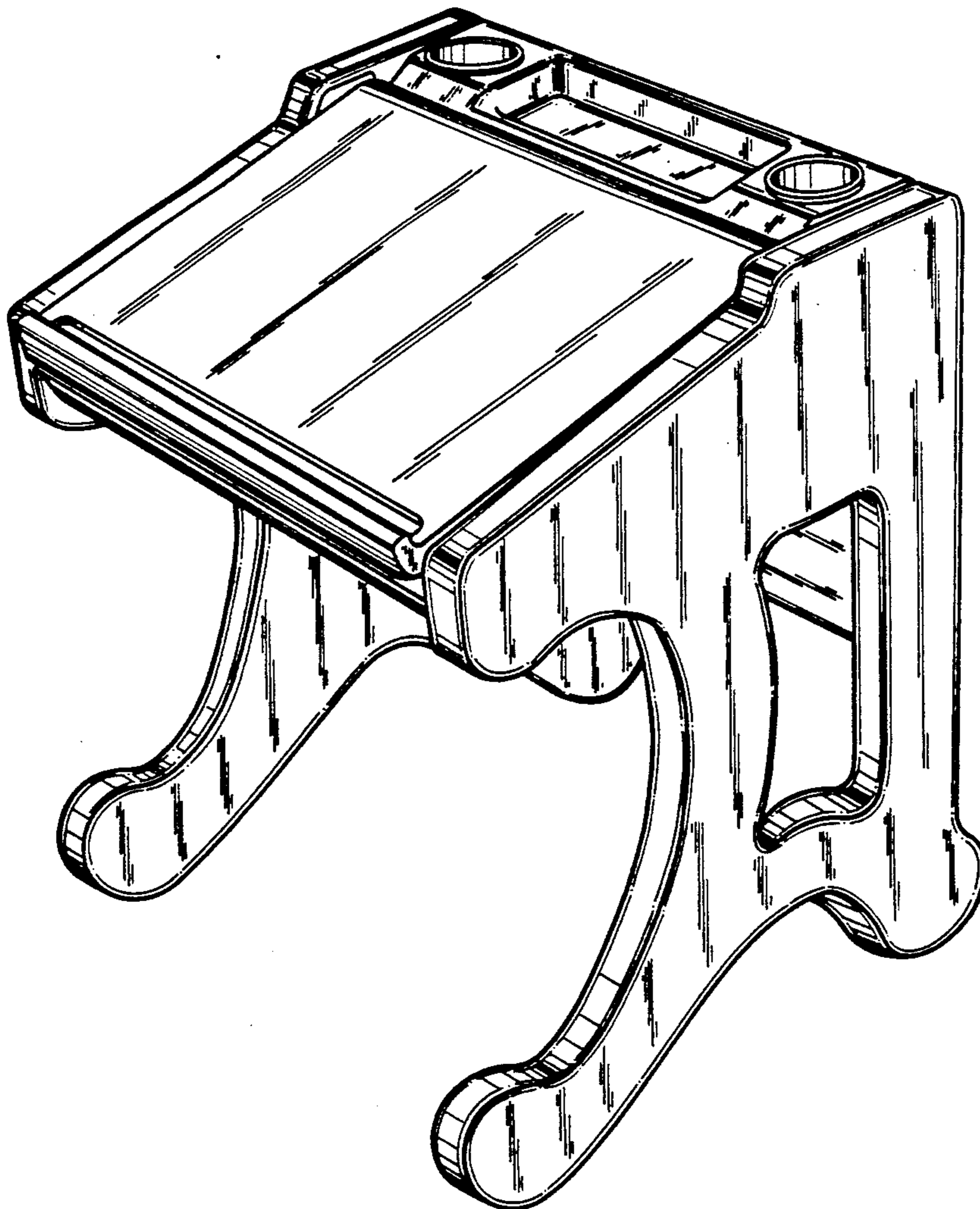
Primary Examiner—Bruce W. Dunkins
Assistant Examiner—Monica A. Hannon

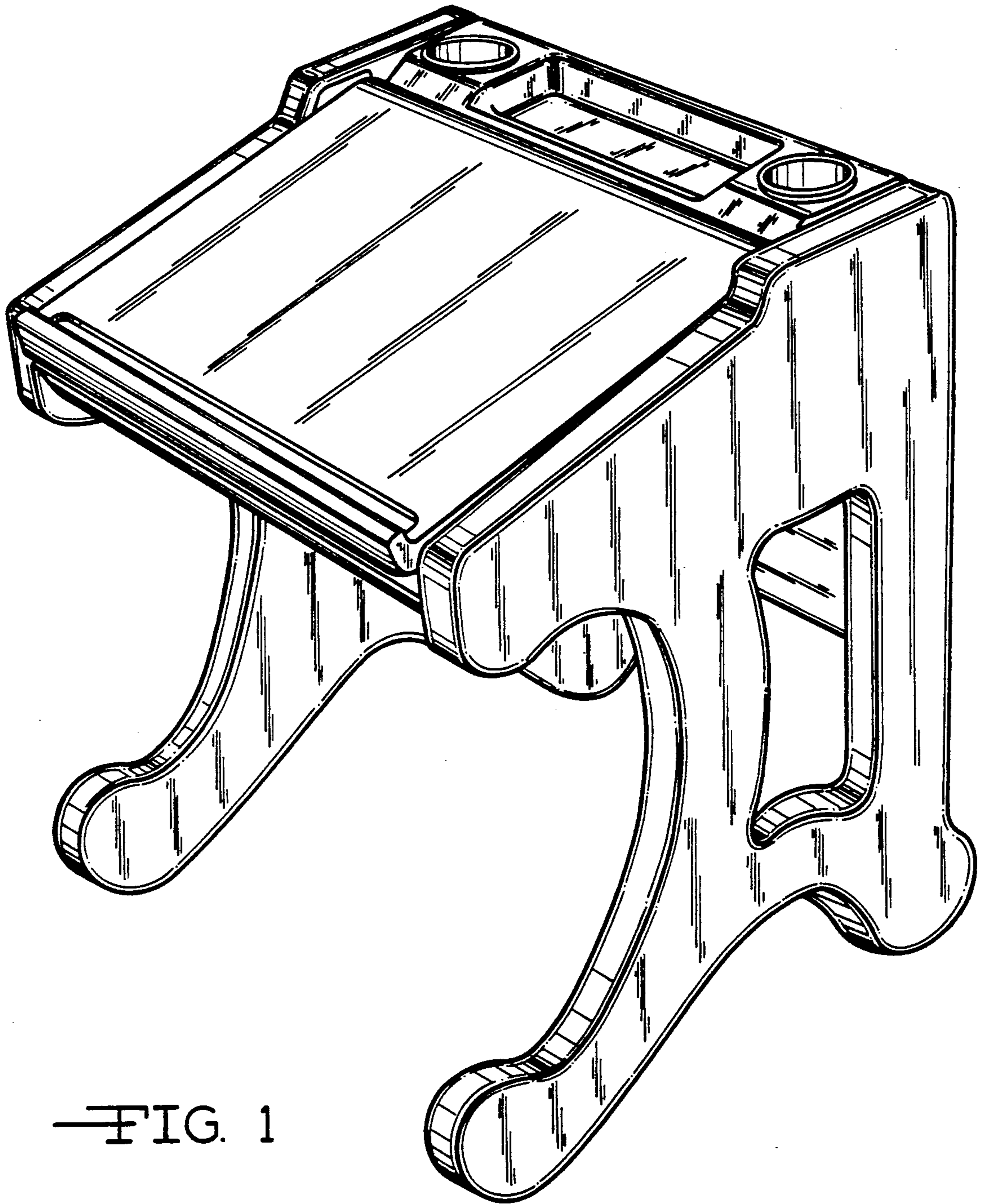
[57] **CLAIM**

The ornamental design for a child's desk, as shown and described.

DESCRIPTION

FIG. 1 is a front perspective view of a child's desk showing my new design;
 FIG. 2 is a rear perspective view thereof;
 FIG. 3 is a left side perspective view thereof;
 FIG. 4 is a alternate front perspective view thereof;
 FIG. 5 is a right side perspective view thereof;
 FIG. 6 is a top perspective view thereof; and,
 FIG. 7 is a bottom perspective view thereof.
 FIG. 2 thought 7 have been drawn on an enlarged scale with respect to FIG. 1.





—FIG. 1

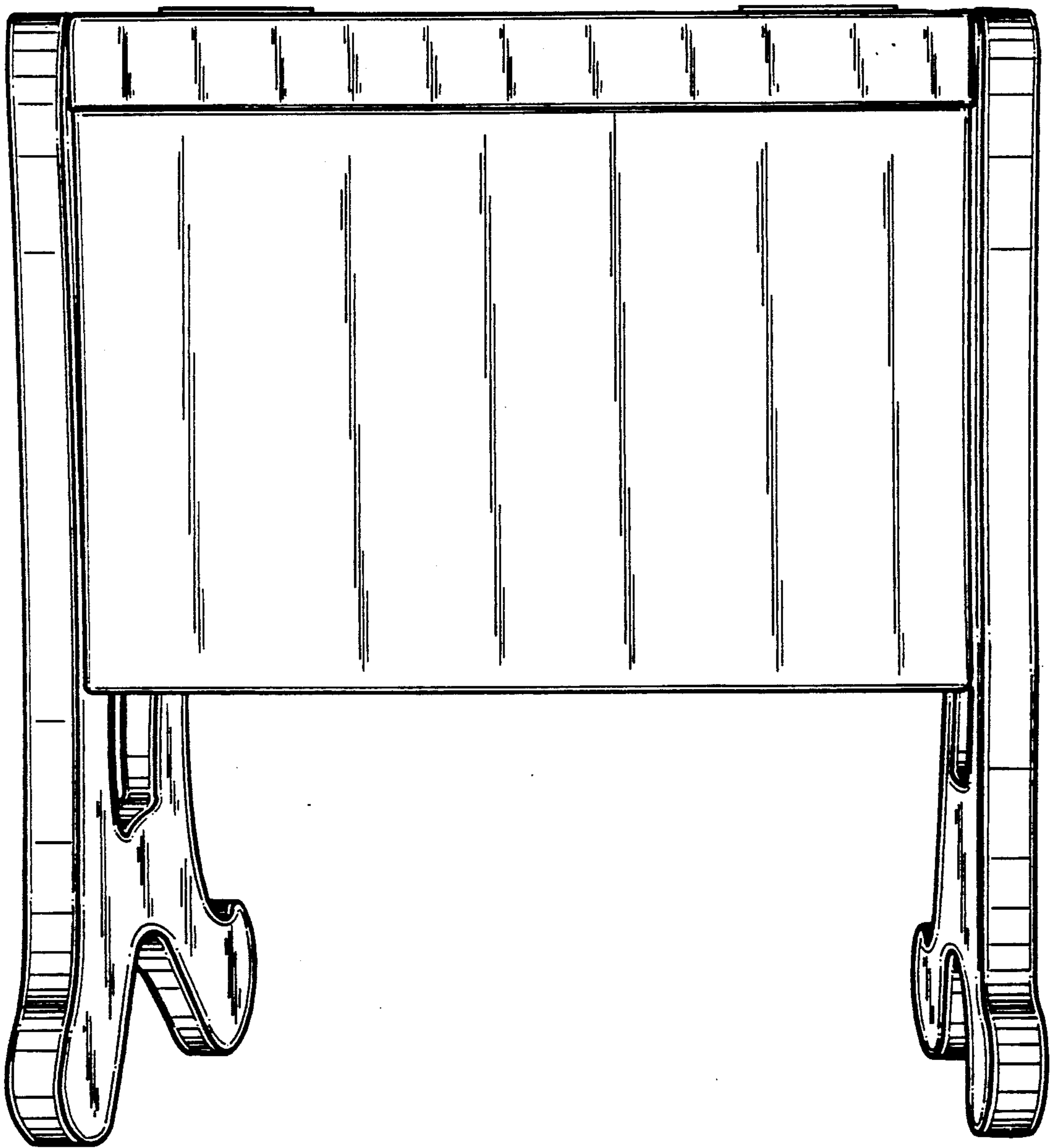
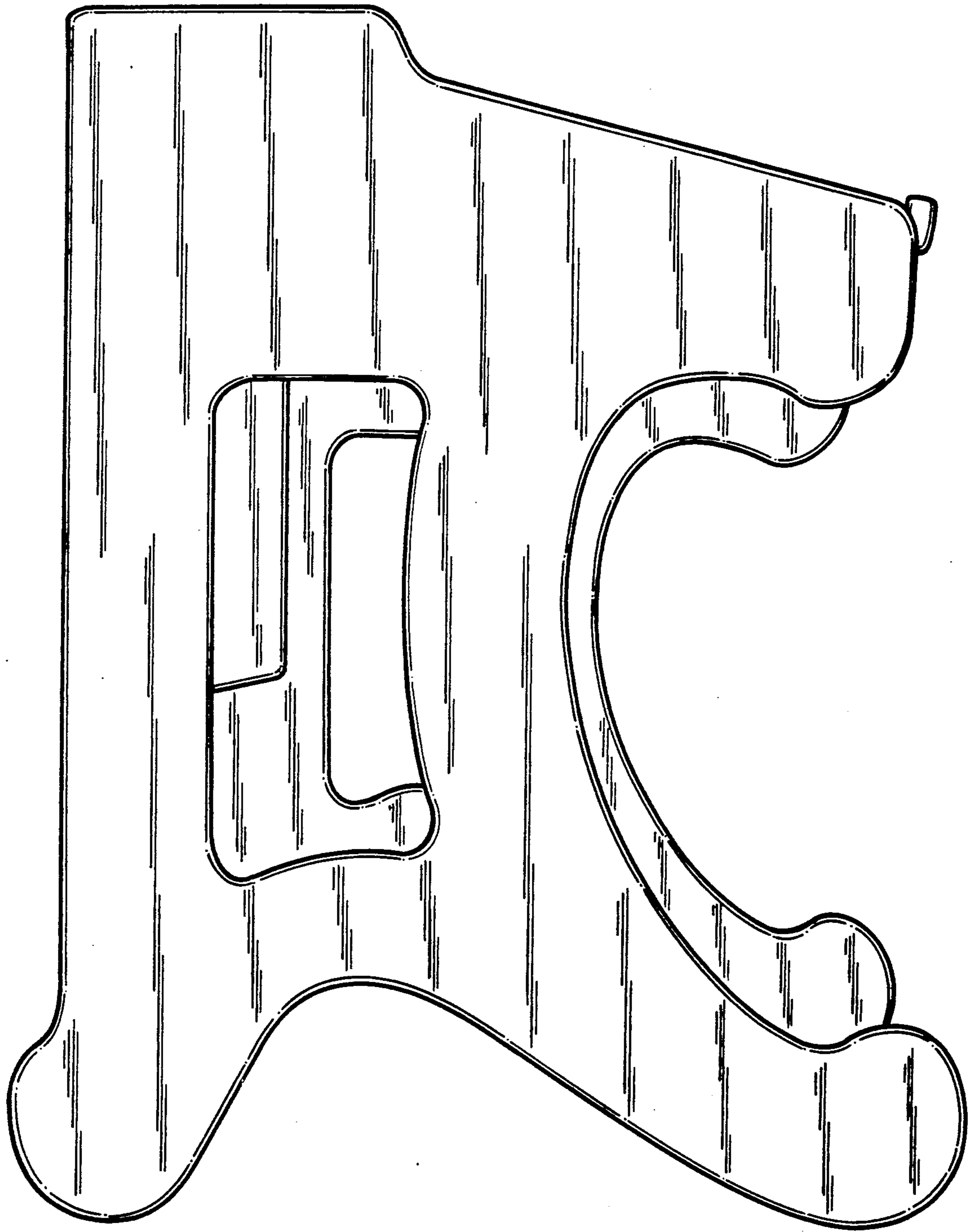


FIG. 2



—FIG. 3

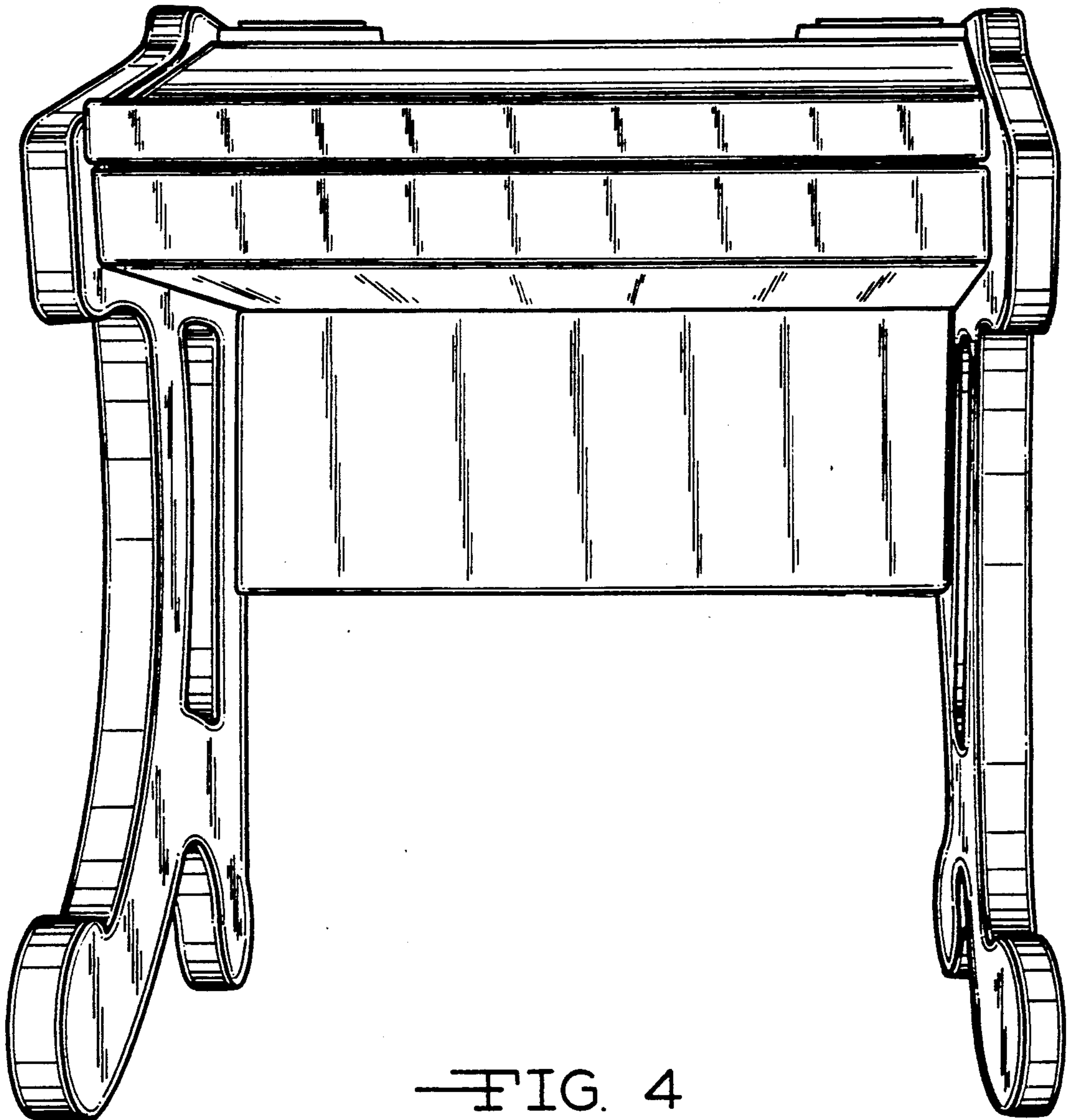
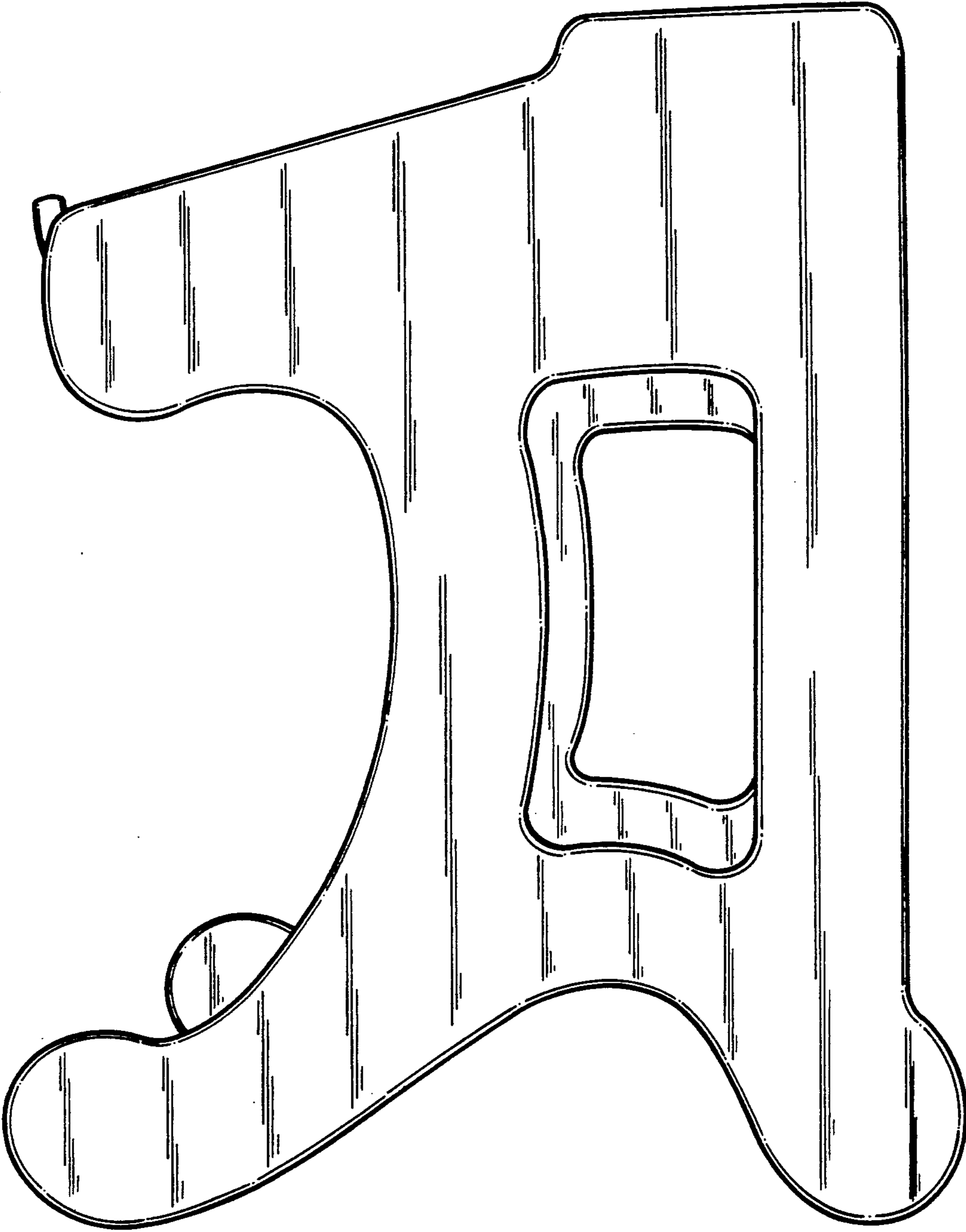


FIG. 4



—FIG. 5

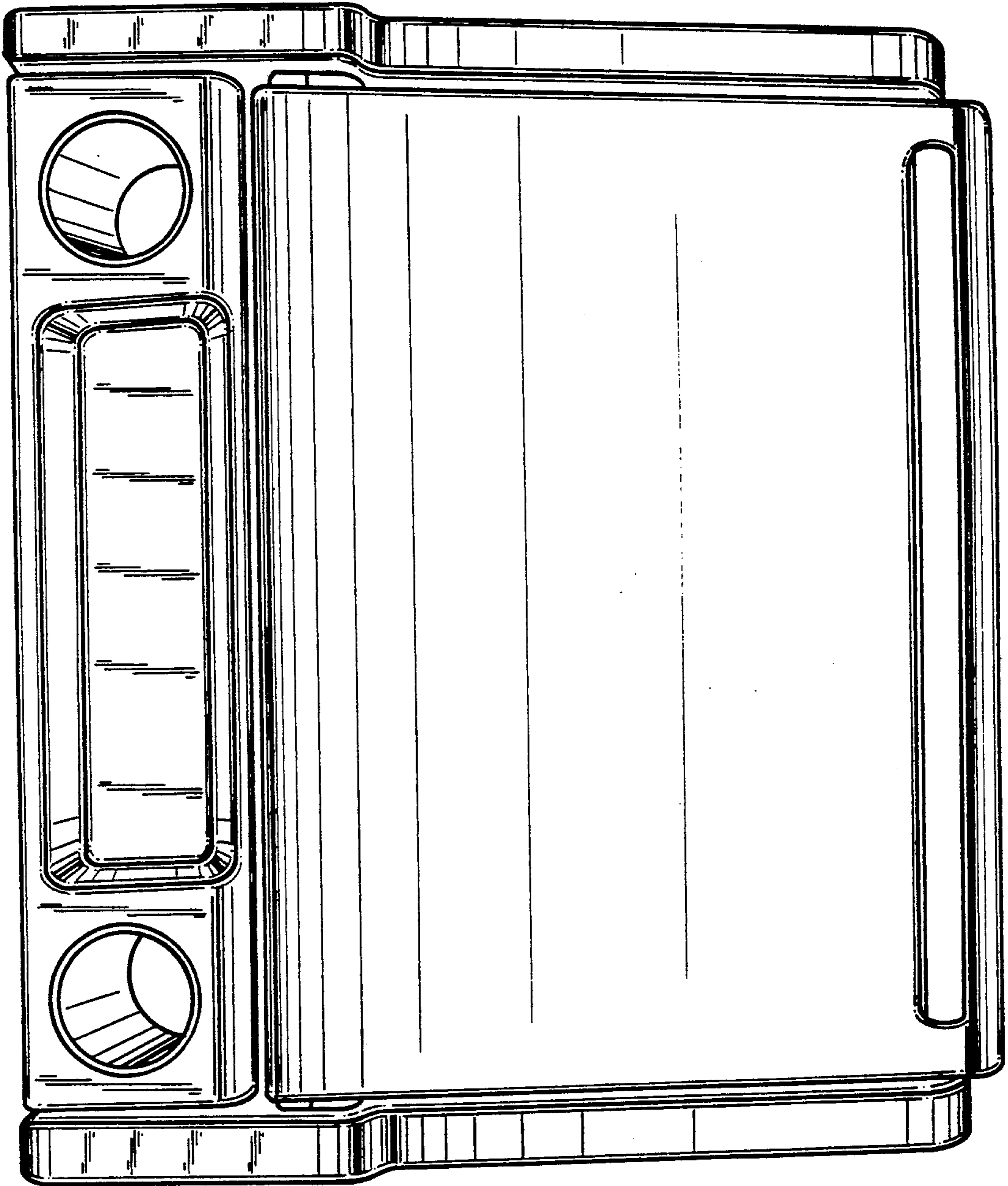
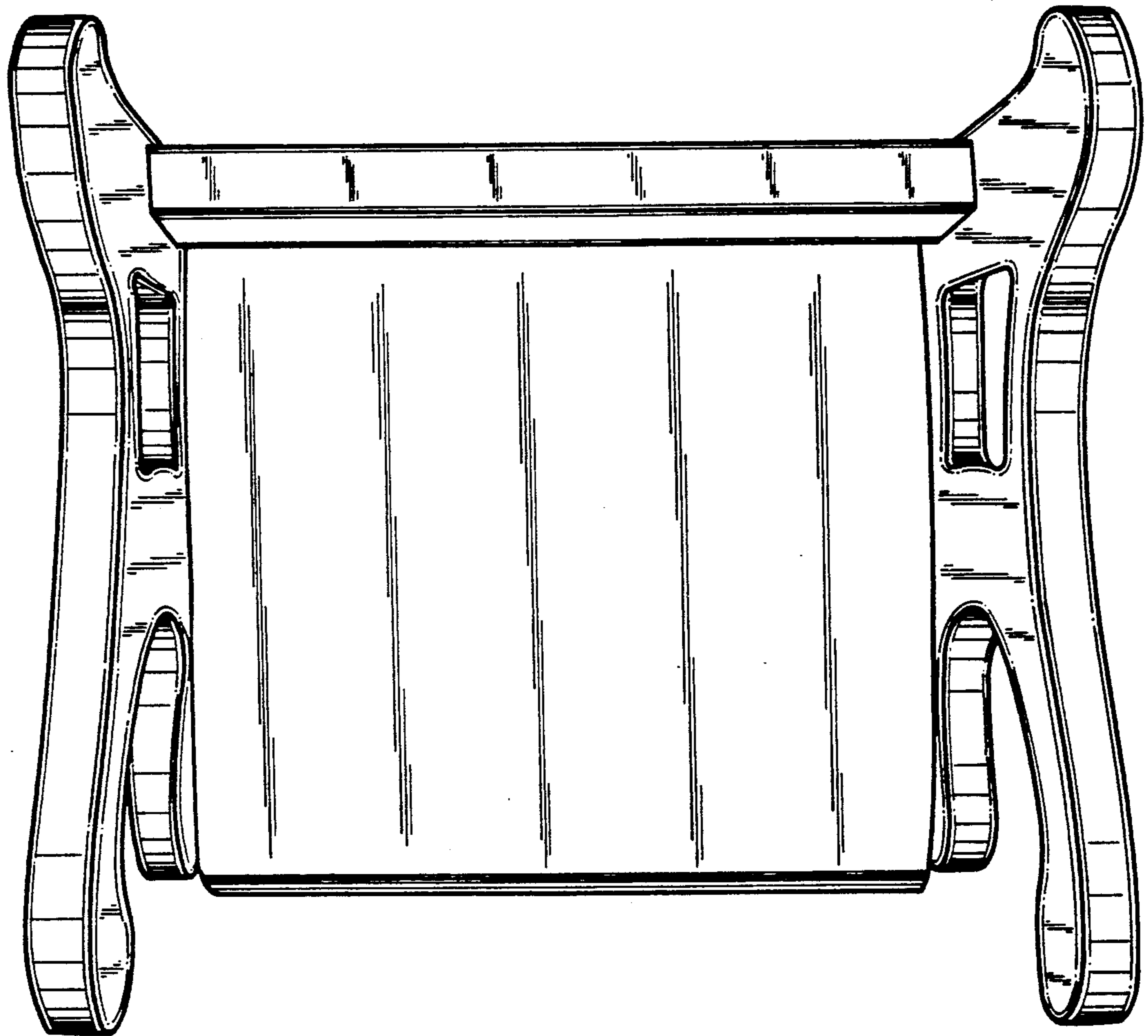


FIG. 6



—FIG. 7