



US00D324961S

# United States Patent [19]

[11] Patent Number: **Des. 324,961**

Gandy

[45] Date of Patent: **\*\* Mar. 31, 1992**

[54] **ROCKING CHAIR OR THE LIKE**

D. 301,091	5/1989	Kimball .....	D6/348
D. 302,216	7/1989	Roland .....	D6/348
D. 319,929	9/1991	Smith .....	D6/348
4,509,794	4/1985	Roland .....	D6/348 X
5,000,514	3/1991	Hanson .....	D6/348 X

[75] Inventor: **Paul J. Gandy, Tucson, Ariz.**

[73] Assignee: **Marana Unique Products Inc., Marana, Ariz.**

[\*\*] Term: **14 Years**

*Primary Examiner*—Nelson C. Holtje  
*Assistant Examiner*—Gary D. Watson  
*Attorney, Agent, or Firm*—Mark E. Ogram

[21] Appl. No.: **349,334**

[57] **CLAIM**

[22] Filed: **May 8, 1989**

The ornamental design for a rocking chair or the like, as shown and described.

[52] U.S. Cl. .... **D6/348; D6/345**

[58] Field of Search ..... **D6/334, 344, 345, 348, D6/351**

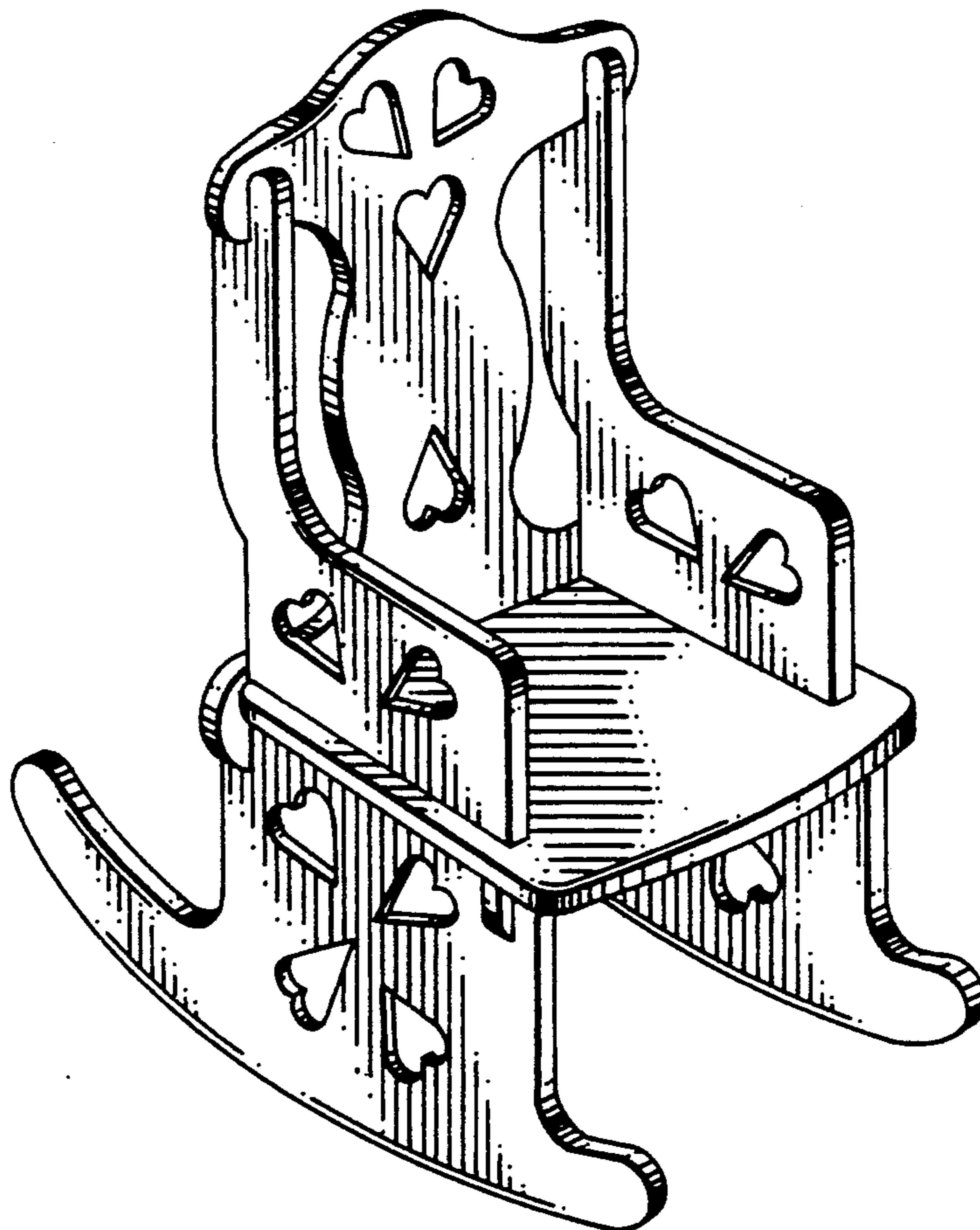
**DESCRIPTION**

[56] **References Cited**

FIG. 1 is a perspective view of a rocking chair or the like showing my new design;  
FIG. 2 is a right side elevational view; the left side view being a mirror image thereof;  
FIG. 3 is a top plan view;  
FIG. 4 is a bottom plan view; and,  
FIG. 5 is a rear elevational view thereof.

**U.S. PATENT DOCUMENTS**

D. 63,045	9/1923	Strickland .....	D6/348
D. 66,204	12/1924	McGlothern .....	D6/348
D. 212,601	11/1968	Rubenstein .....	D6/348
D. 289,234	4/1987	Hoult .....	D6/348



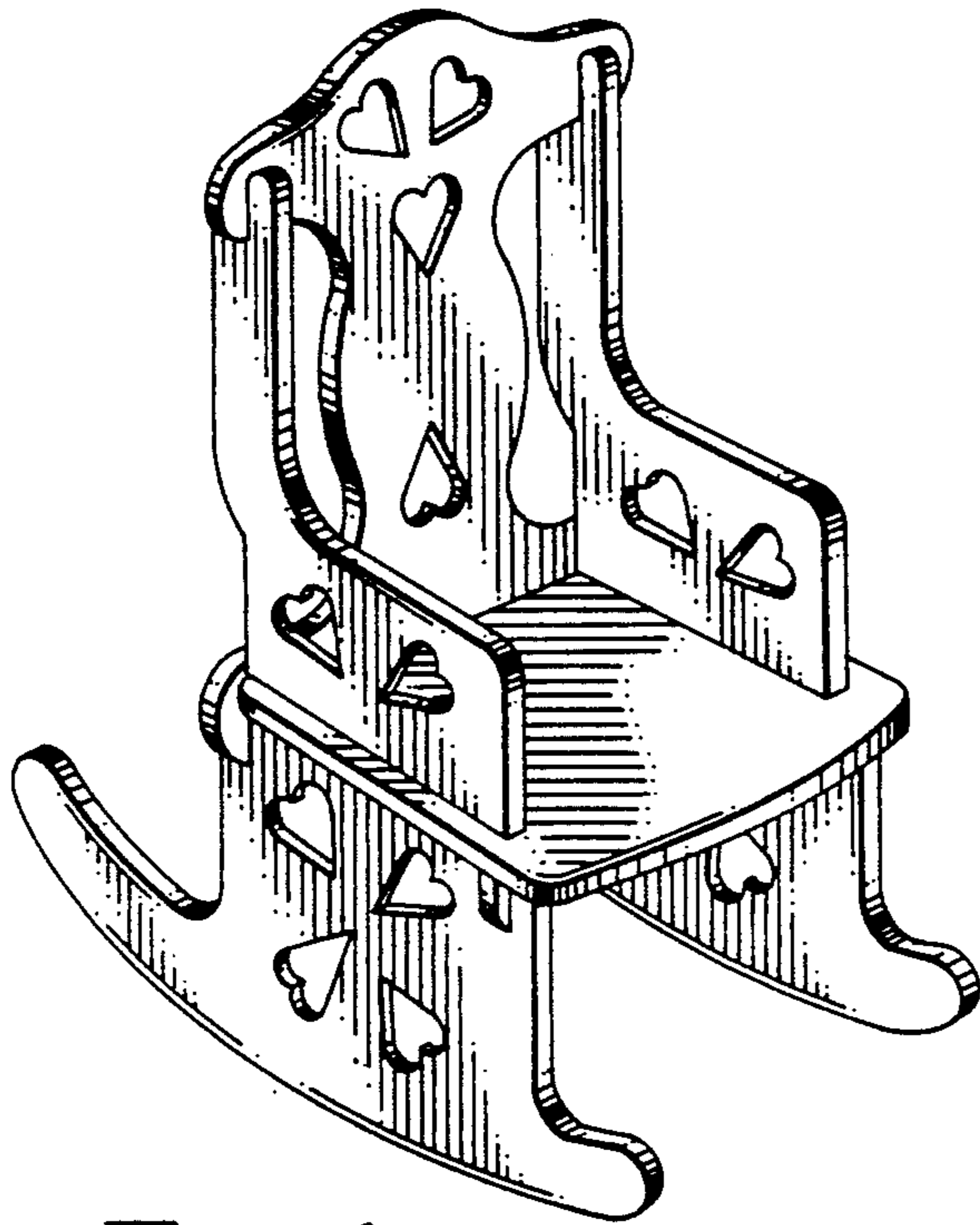


FIG. 1

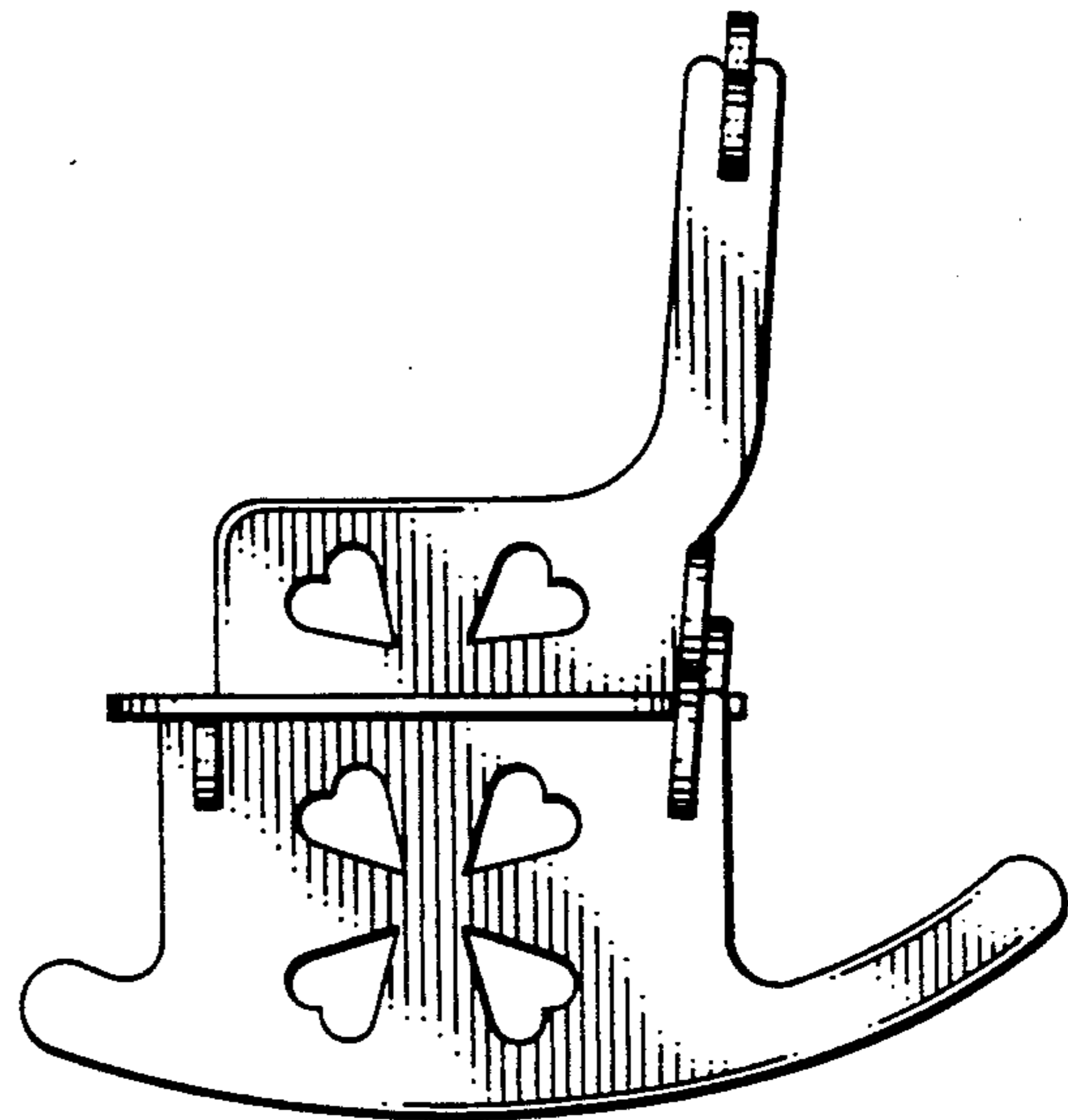


FIG. 2

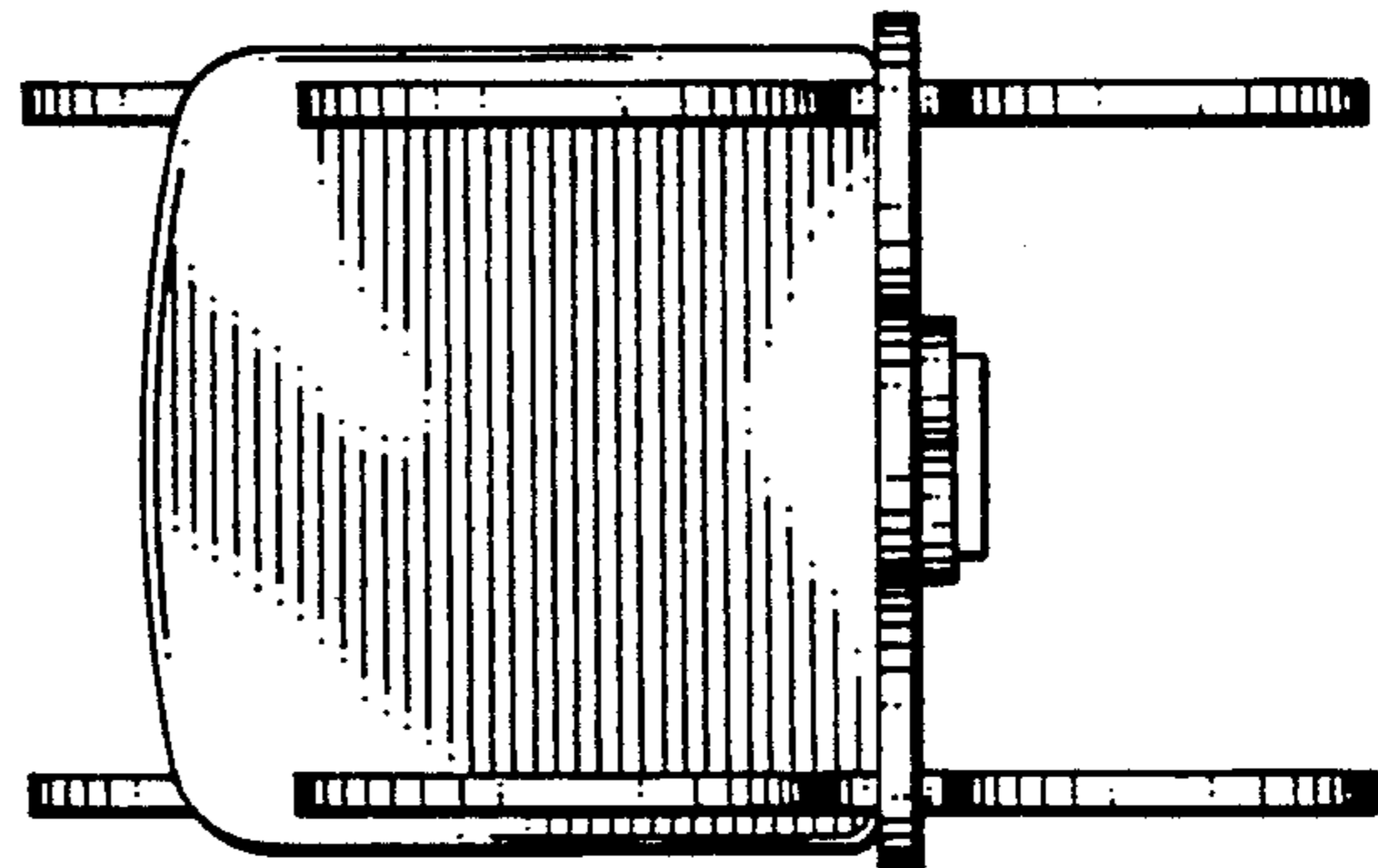


FIG. 3

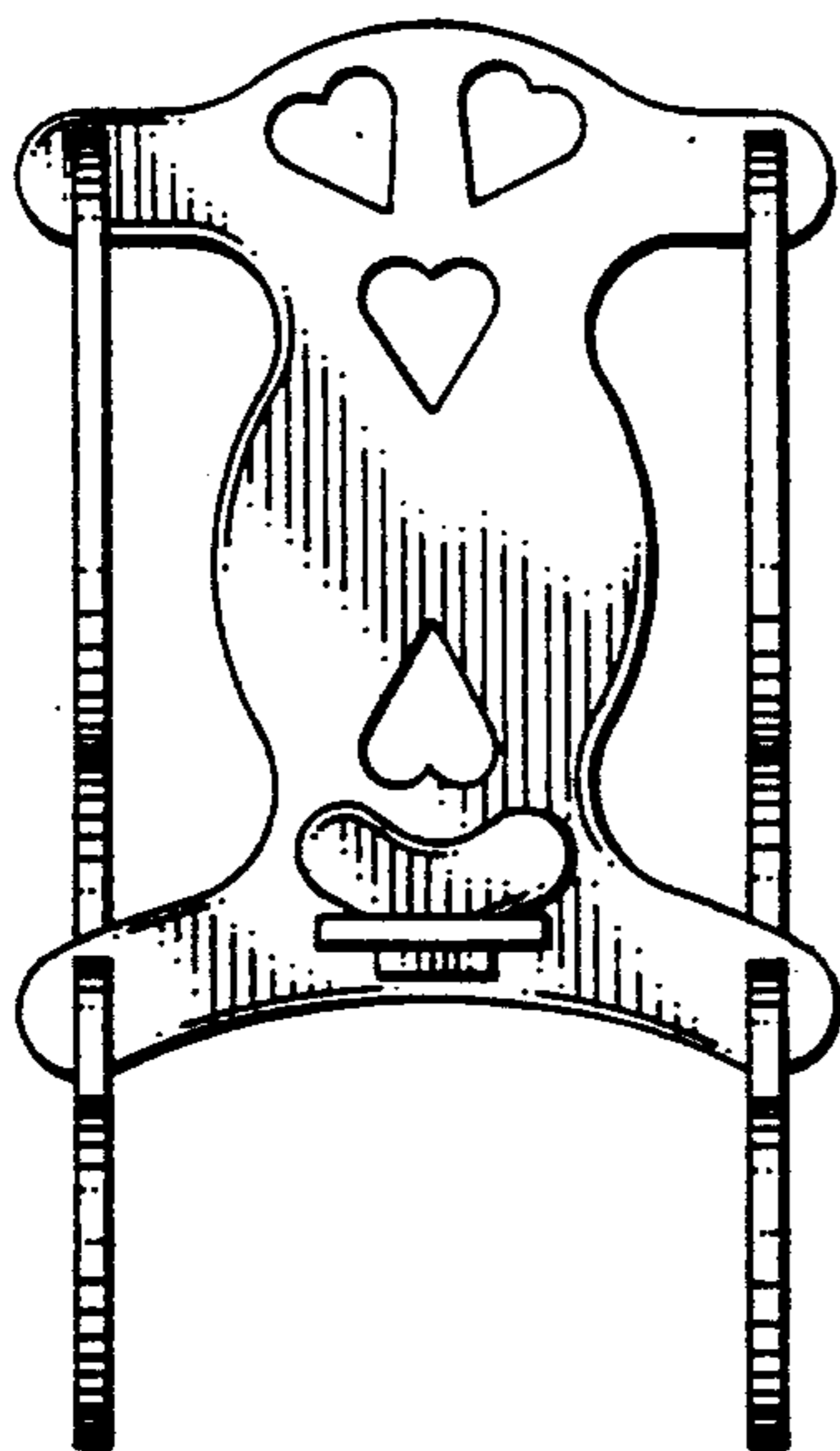


FIG. 5

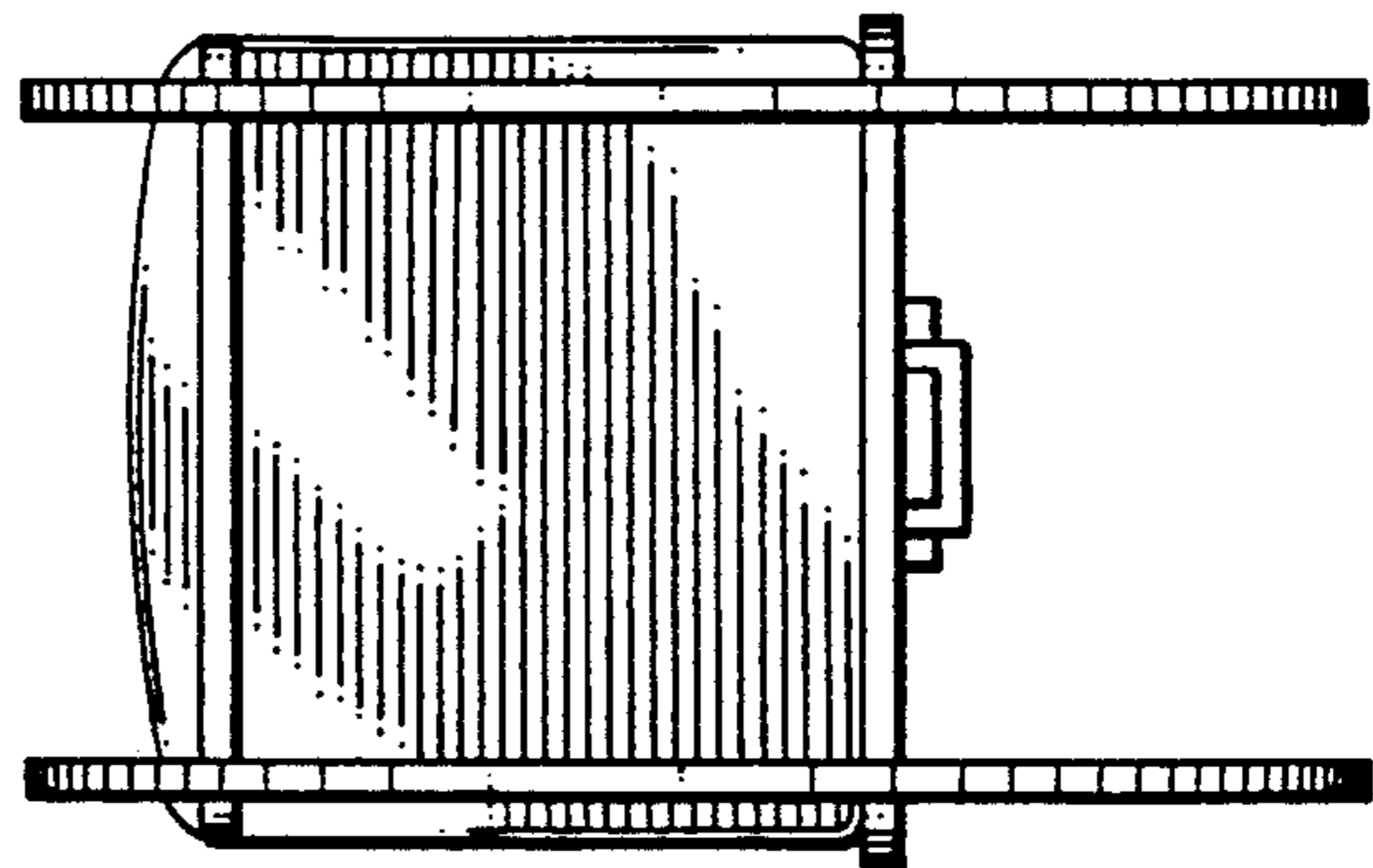


FIG. 4