



US00D324957S

United States Patent [19]

[11] Patent Number: **Des. 324,957**

Piano

[45] Date of Patent: **** Mar. 31, 1992**

[54] **TOOTHBRUSH WITH ADJUSTABLE HEAD**

980,161	12/1910	Knoller	15/167.1 X
2,003,243	5/1935	Campbell et al.	15/201 X
2,706,825	4/1955	Blakeman	15/167.1 X
2,864,111	12/1958	Rotceig	15/201 X
4,712,267	12/1987	Cheng	15/201 X

[75] Inventor: **Anthony P. Piano, Sparta, N.J.**

[73] Assignee: **Warner-Lambert Company, Morris Plains, N.J.**

[**] Term: **14 Years**

Primary Examiner—Wallace R. Burke
Assistant Examiner—Lavone D. Tabor
Attorney, Agent, or Firm—Richard S. Bullitt

[21] Appl. No.: **537,540**

[57] **CLAIM**

[22] Filed: **Jun. 13, 1990**

The ornamental design for a toothbrush with adjustable head, as shown and described.

[52] U.S. Cl. **D4/104; D4/121**

[58] Field of Search **D4/101, 104-114, D4/130, 132, 134, 136, 138, 199; D28/64; 15/143 R, 159 R, 159 A, 160, 167.1-167.3, 201-202; 132/308-311**

DESCRIPTION

[56] **References Cited**

U.S. PATENT DOCUMENTS

D. 300,691	4/1989	Ambasz	D4/108
581,919	5/1897	Proskauer	15/201

FIG. 1 is a top, rear end, and side perspective view of a toothbrush with adjustable head showing my new design; and,

FIG. 2 is a top, rear end, and side perspective view of the toothbrush of **FIG. 1** shown in an alternate position. The undisclosed side is the same in appearance as the side shown and the rear is unornamented in both views.

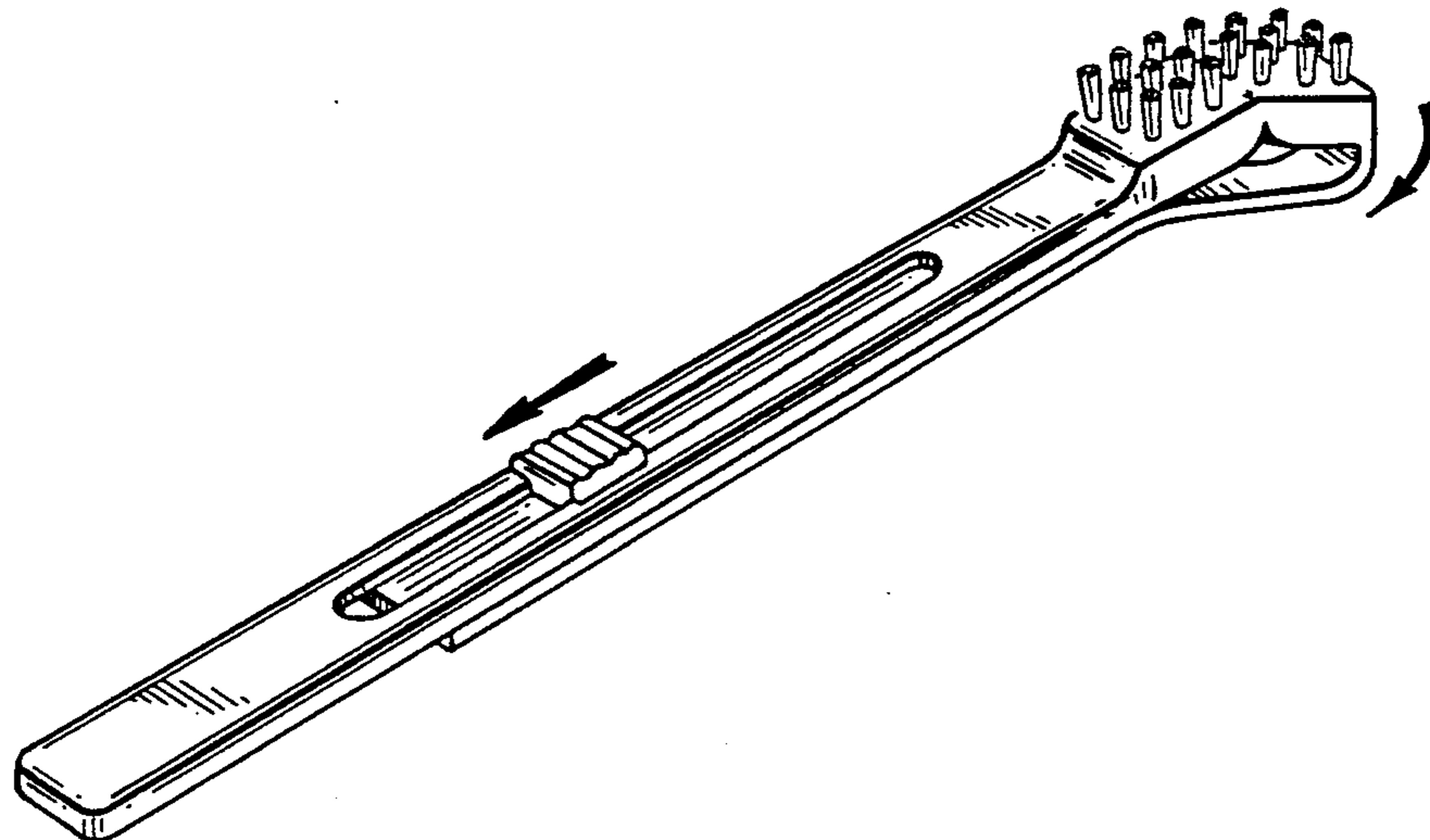
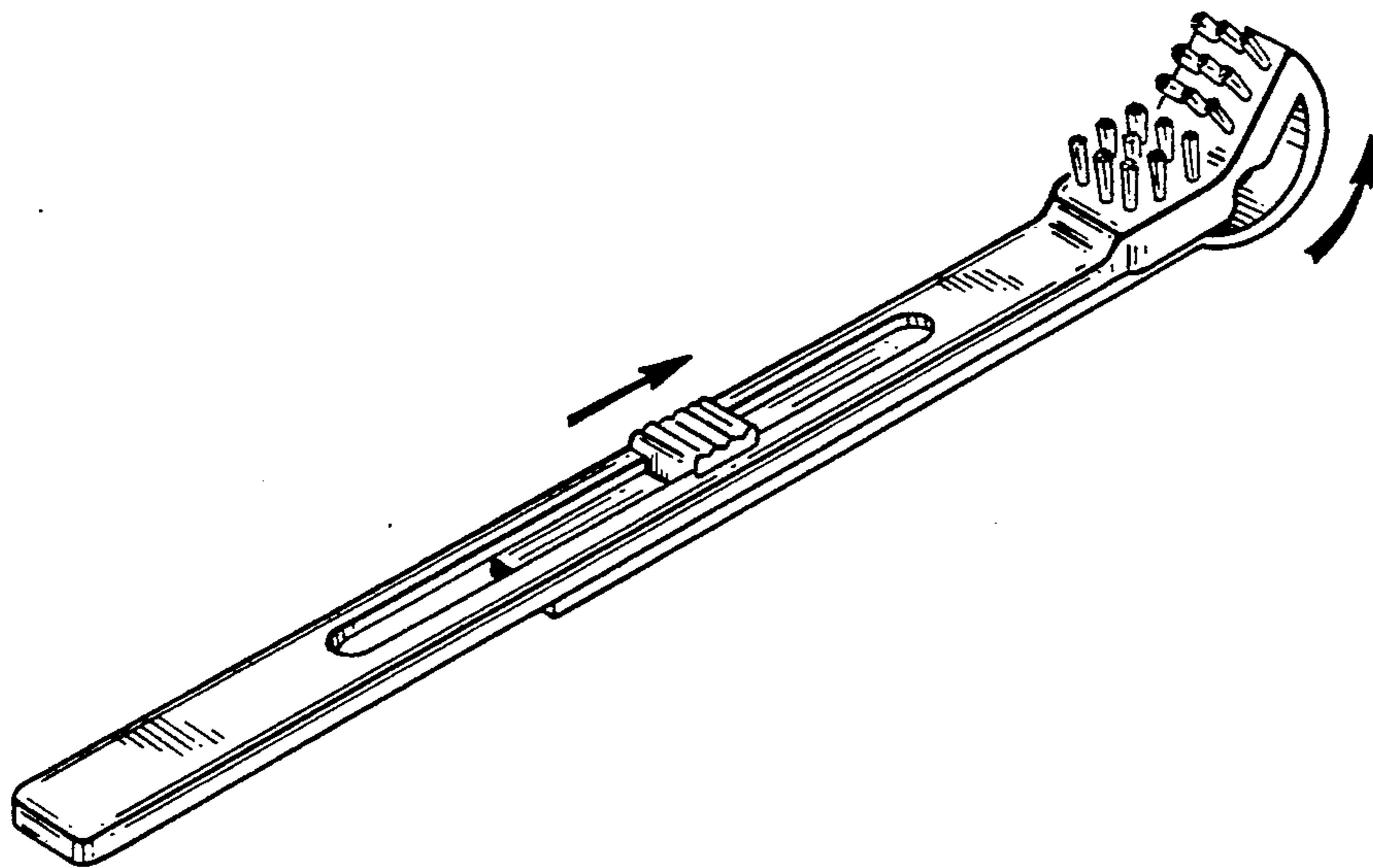


FIG - 1

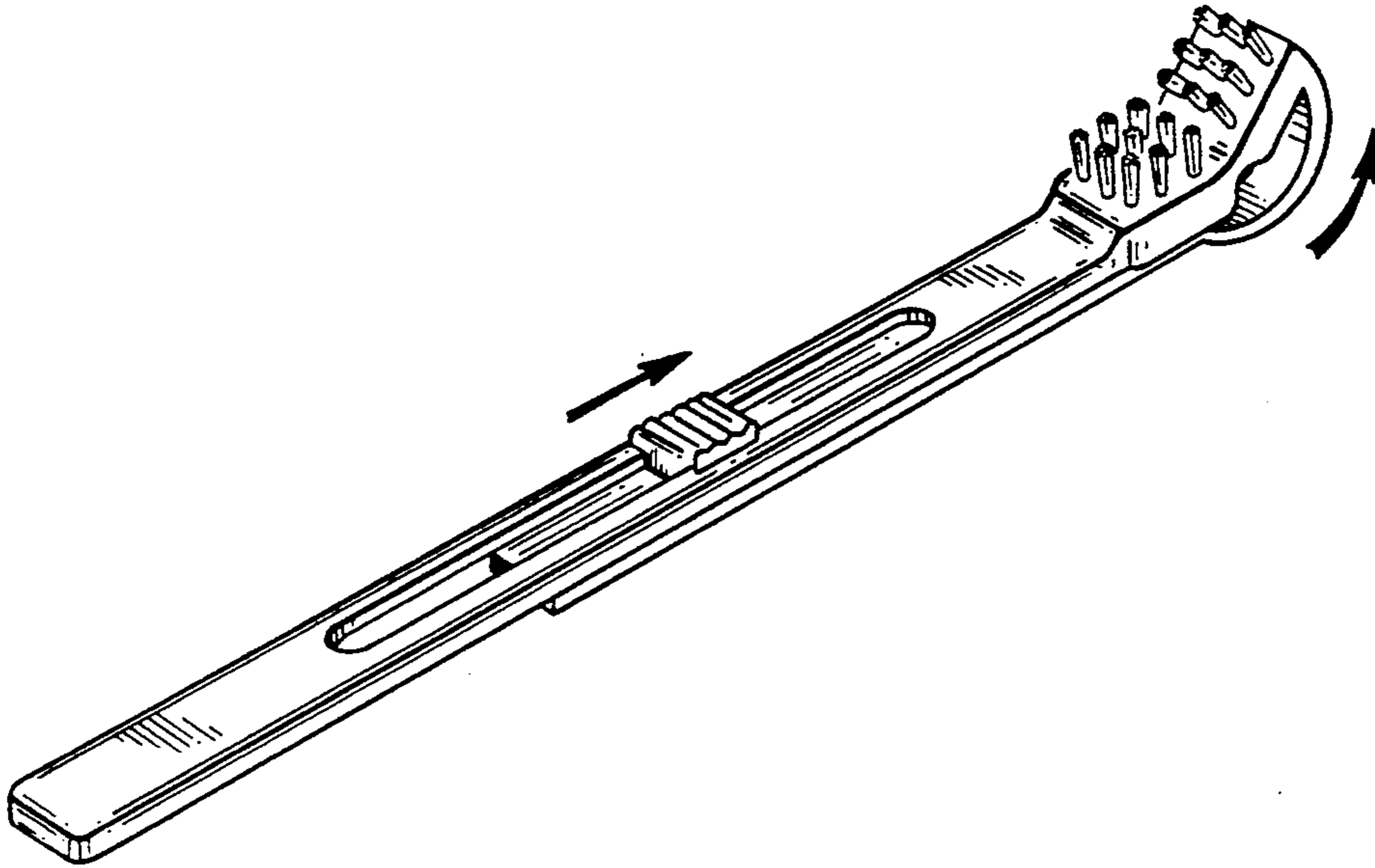


FIG - 2

