



US00D324954S

United States Patent [19]

[11] Patent Number: **Des. 324,954**

Lewis

[45] Date of Patent: **** Mar. 31, 1992**

[54] **COMBINED KEY RING AND LOCATOR**

4,460,174 7/1984 Perry .

[76] Inventor: **Henry Lewis, 3634 Sharpe Ave.,
Memphis, Tenn. 38111-5222**

4,789,573 12/1988 Jenkinson 40/330

[**] Term: **14 Years**

FOREIGN PATENT DOCUMENTS

[21] Appl. No.: **584,884**

1448259 6/1965 France .

[22] Filed: **Sep. 19, 1990**

OTHER PUBLICATIONS

[52] U.S. Cl. **D3/62; D3/61**

Carol Wright Sale Inc. Brochure.

[58] Field of Search **D3/61-65,**

The British Journal of Photography, Aug. 1968, p. 23,
lower left of page.

D3/103; D6/300-301; 70/456 R-461; 24/3 K;

Primary Examiner—A. Hugo Word

207/456 R; D11/26, 81, 79; 40/634, 649, 330,

Assistant Examiner—R. Seifert

152.1-152.2, 661, 124.2; D14/245

Attorney, Agent, or Firm—Terry M. Gernstein

[56] **References Cited**

[57] CLAIM

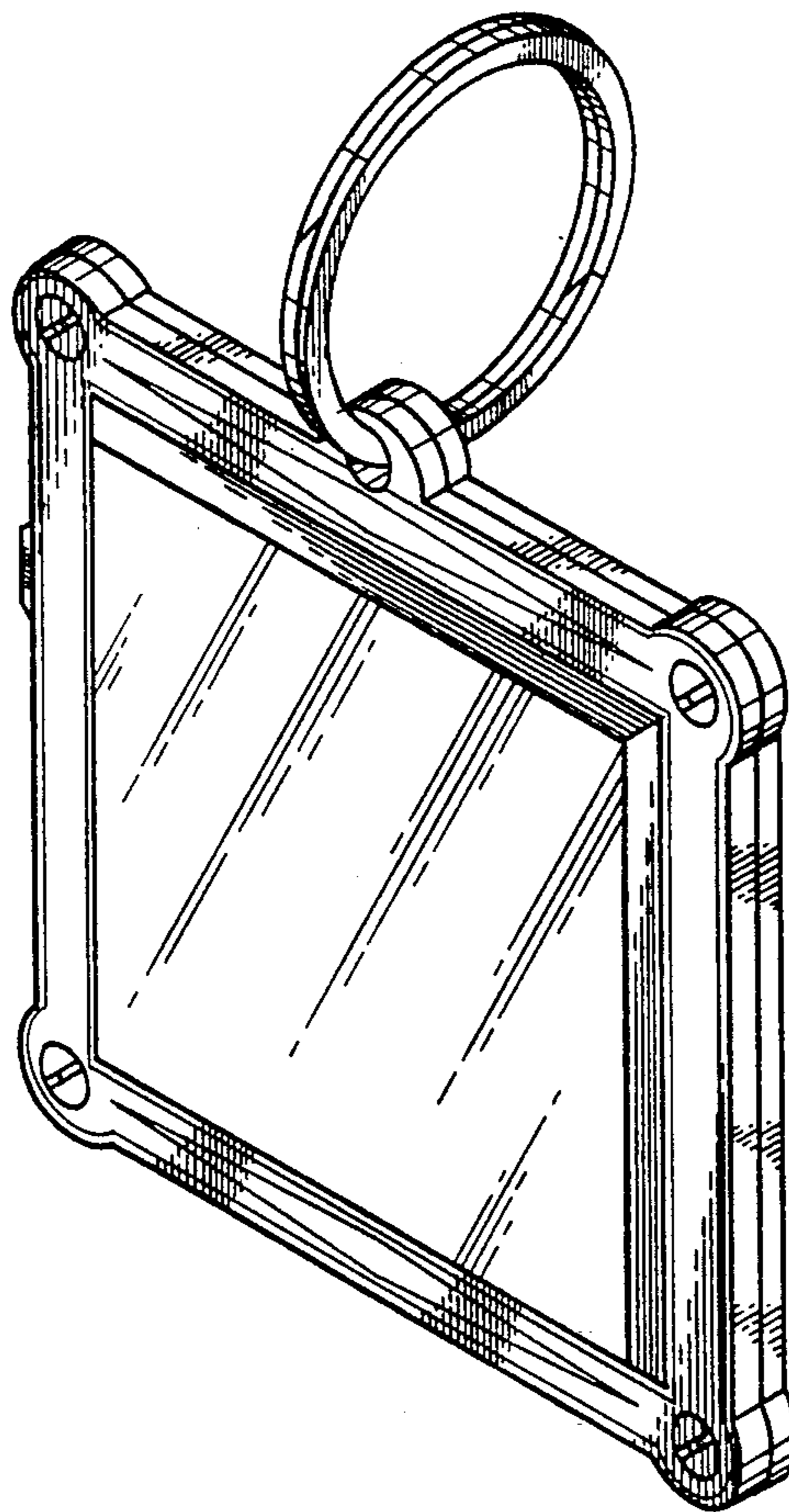
U.S. PATENT DOCUMENTS

The ornamental design for a combined key ring and
locator, as shown and described.

D. 249,339	9/1978	Coulthurst	D11/79
277,339	5/1883	Pine	D11/80
D. 293,287	12/1987	Caugue et al.	D3/63
D. 306,233	2/1990	Smith	D3/62
D. 308,757	6/1990	Sanford	D3/62
D. 311,356	10/1990	De Frahan	D11/79
2,145,071	1/1939	Cave	D11/26
2,412,058	12/1946	Pfell .	
2,486,180	10/1949	Lane .	
2,625,645	1/1953	Crane .	
3,604,233	9/1971	Barrett	D3/62
4,079,607	3/1978	Spruyt	70/456 R

DESCRIPTION

FIG. 1 is a perspective view of a combined key ring and
locator showing my new design;
FIG. 2 is a front elevational view thereof;
FIG. 3 is a rear elevational view thereof;
FIG. 4 is a side elevational view thereof;
FIG. 5 is a side elevational view of the side opposite
that shown in FIG. 4;
FIG. 6 is a top plan view thereof; and,
FIG. 7 is a bottom plan view.



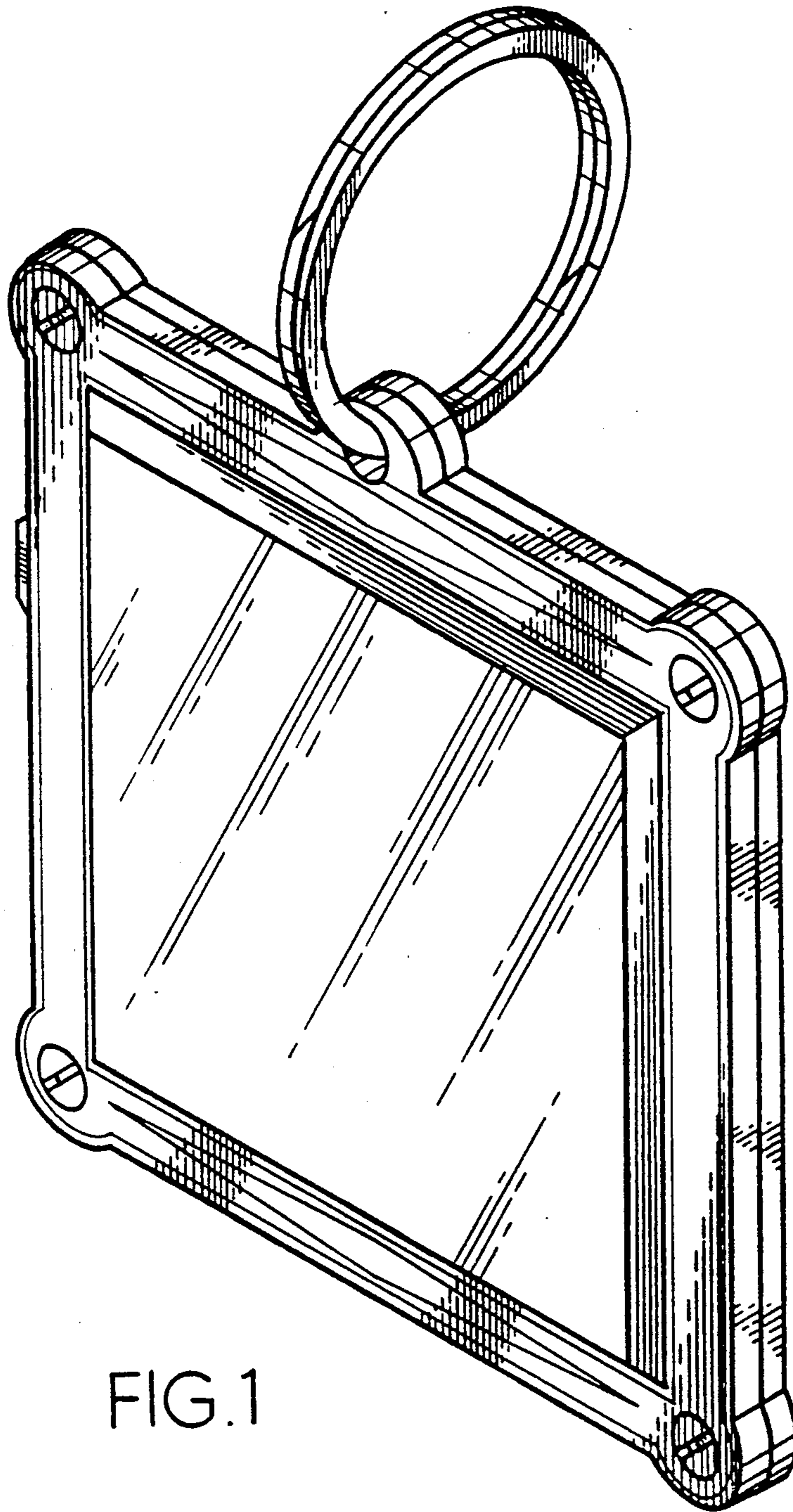


FIG. 1

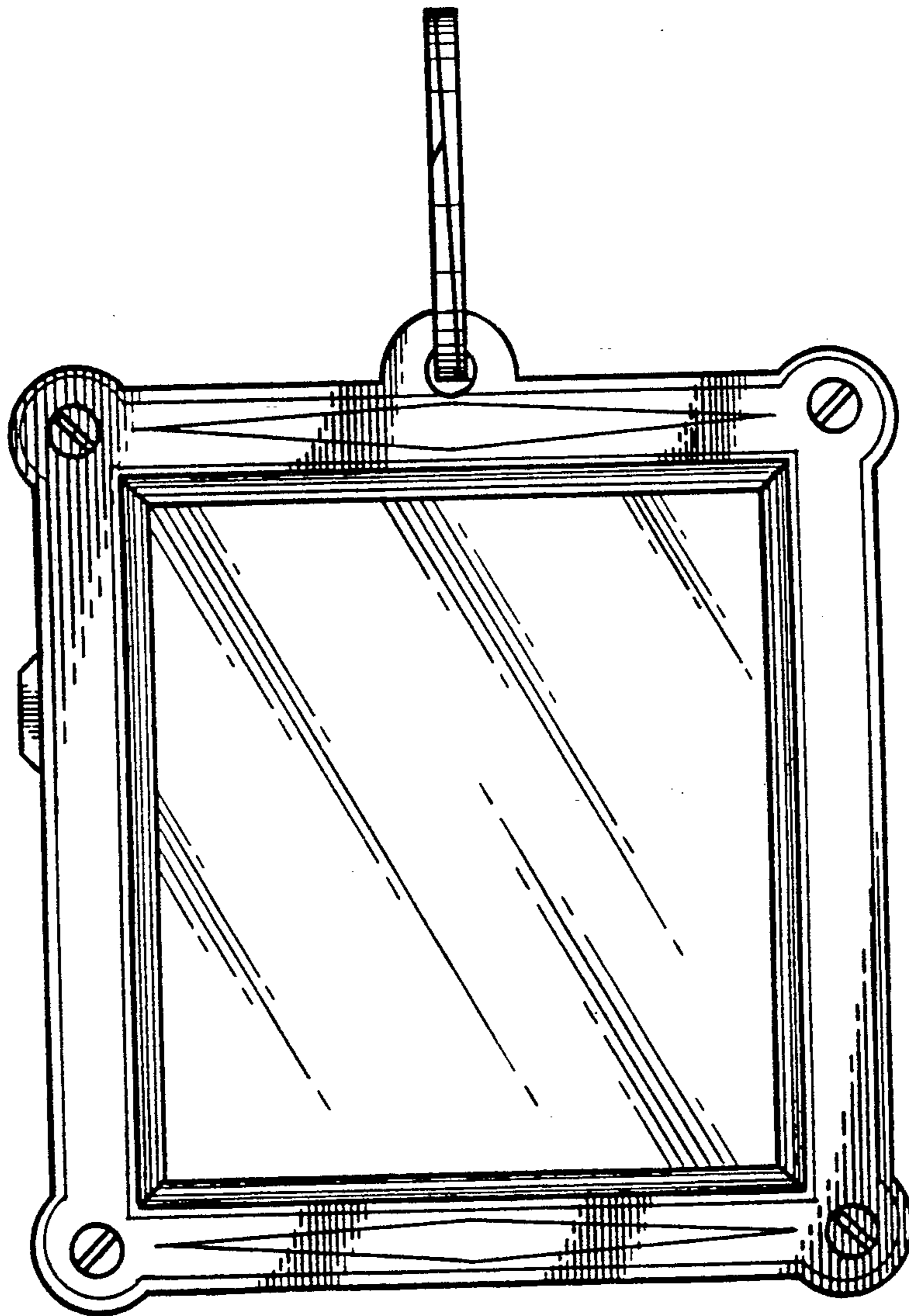


FIG. 2

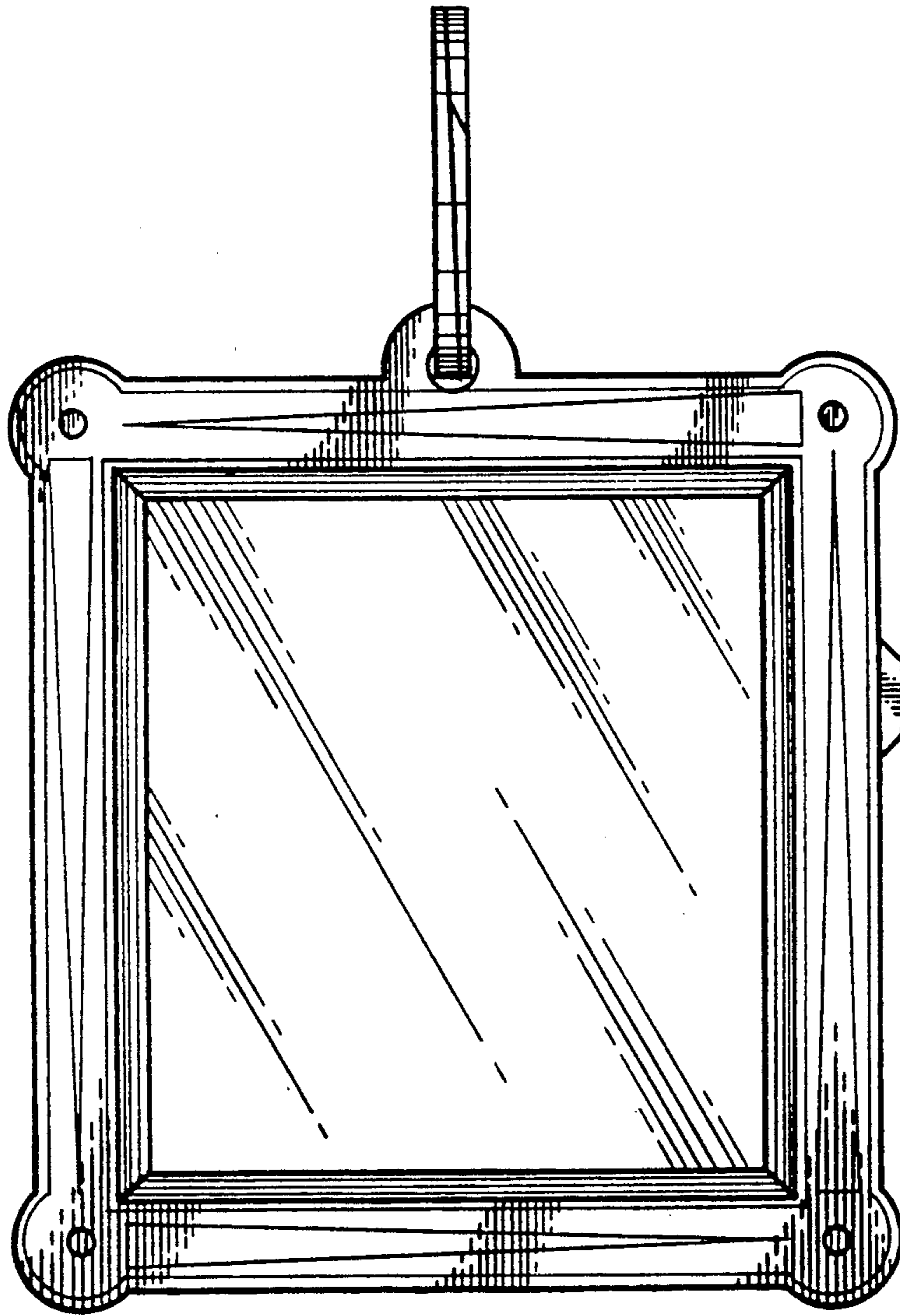


FIG. 3

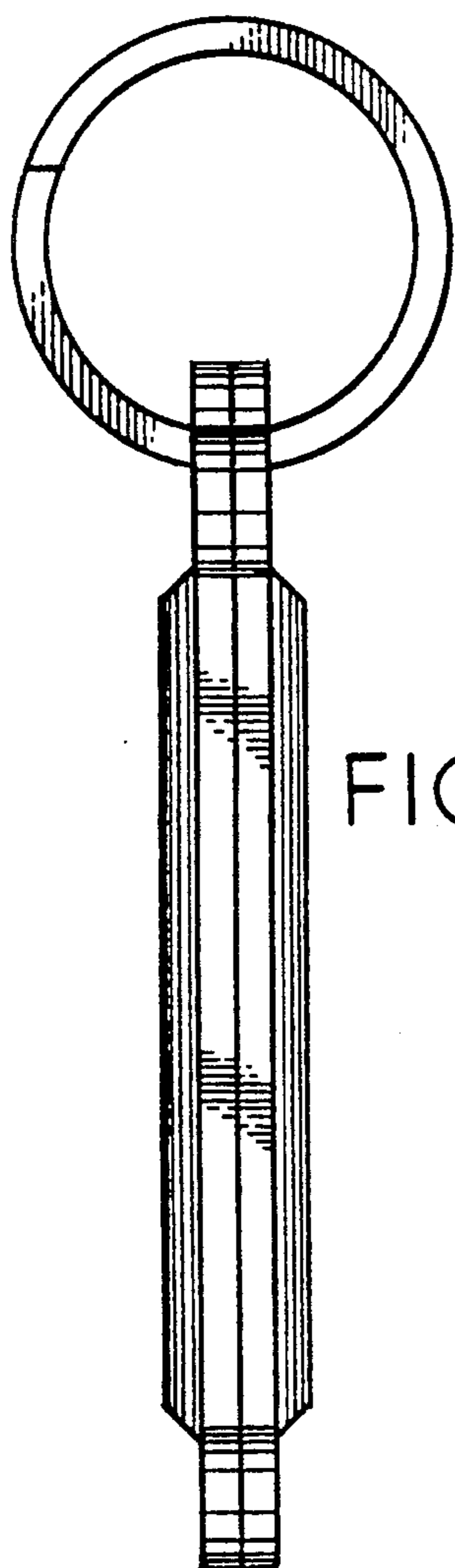


FIG. 4

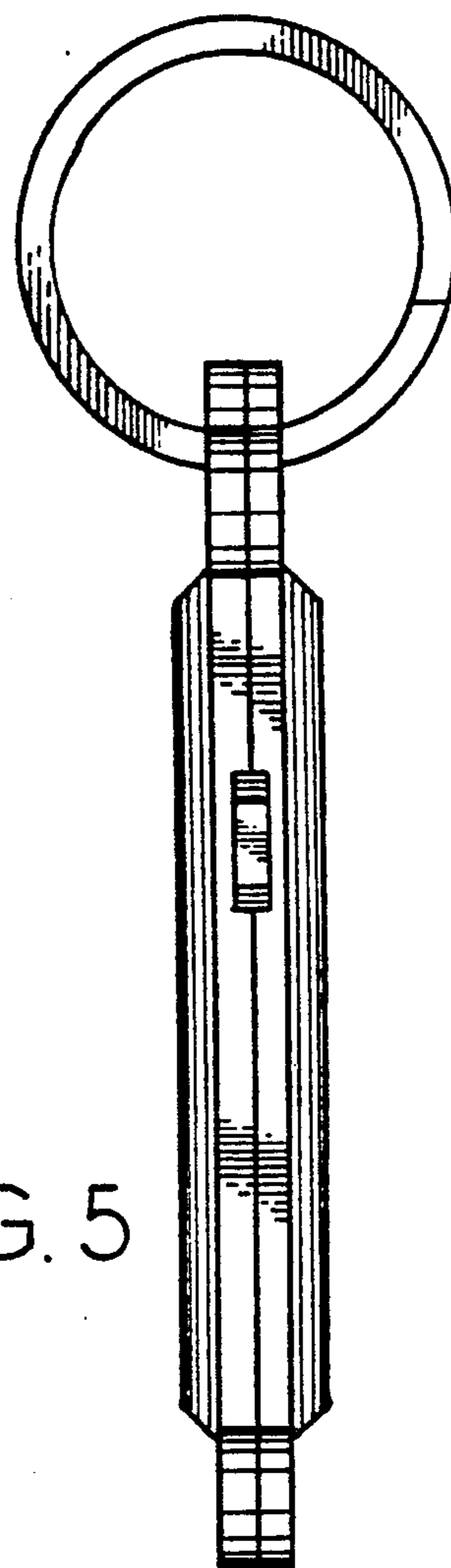


FIG. 5

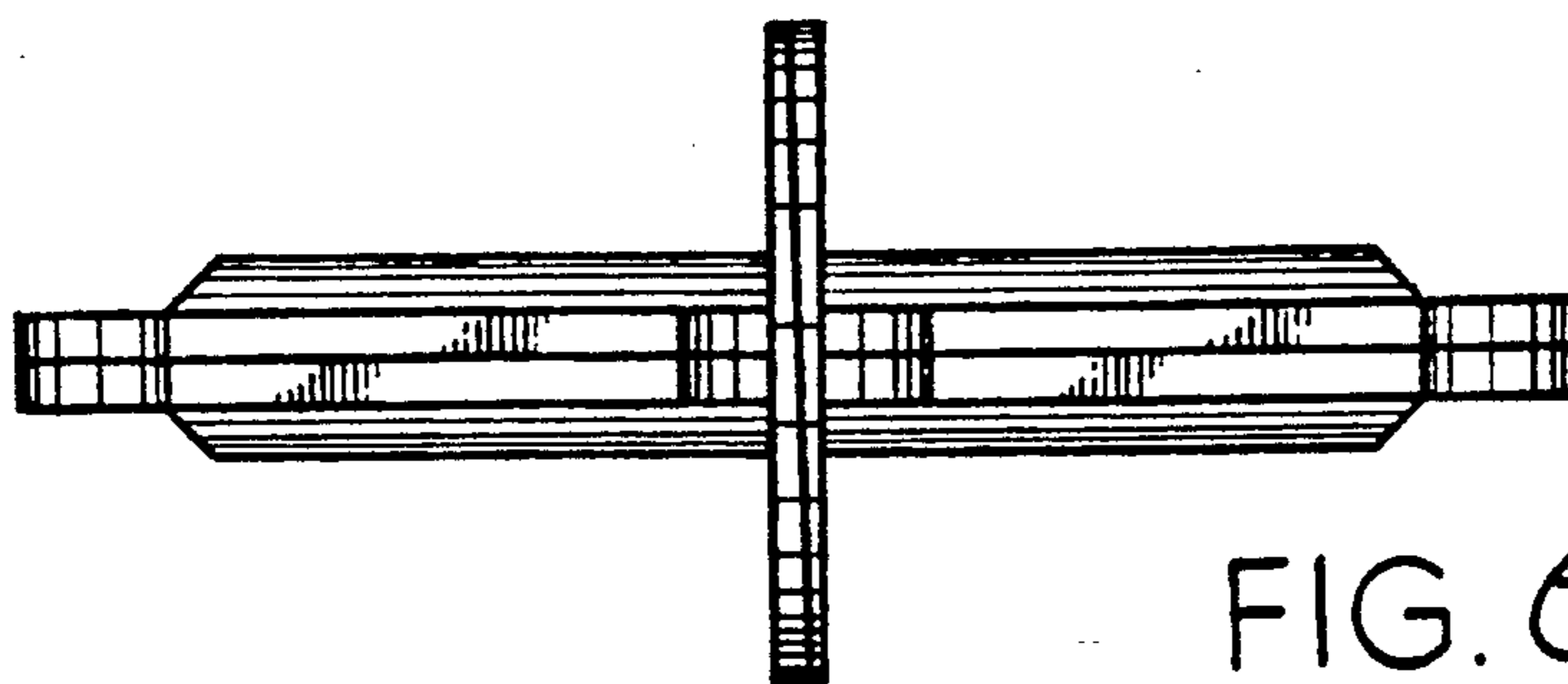


FIG. 6

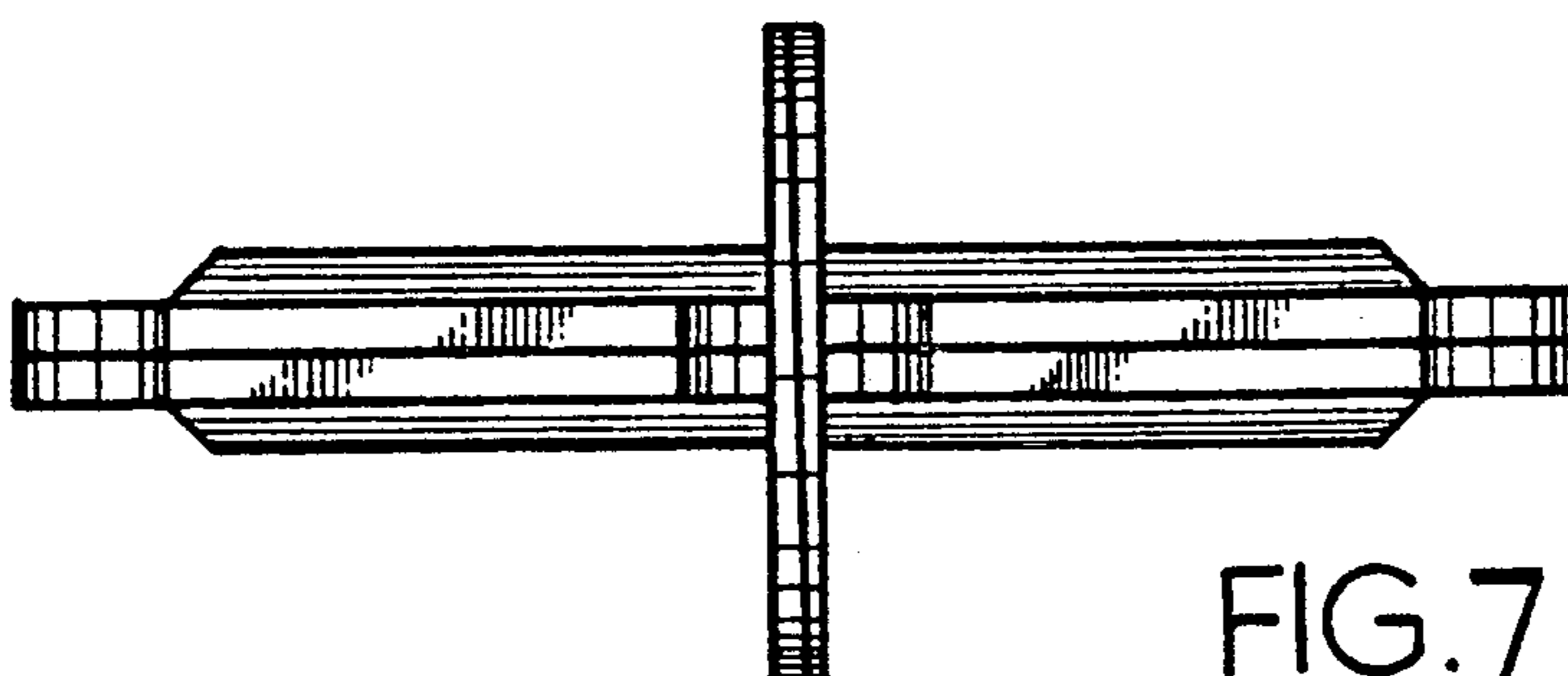


FIG. 7