



US00D324951S

United States Patent [19]

Narramore

[11] Patent Number: Des. 324,951

[45] Date of Patent: ** Mar. 31, 1992

[54] GUN RACK

[76] Inventor: Jerry C. Narramore, 4601 Linpark Dr., Birmingham, Ala. 35222

[**] Term: 14 Years

[21] Appl. No.: 123,997

[22] Filed: Nov. 23, 1987

[52] U.S. Cl. D3/38

[58] Field of Search D3/36, 38; 224/42.45 R, 224/273, 913; 211/64, 163

[56] References Cited

U.S. PATENT DOCUMENTS

D. 252,001	6/1979	Arnold	D3/38
3,468,460	9/1969	Wright et al.	224/917 X
4,684,087	8/1987	Spickard	224/42.42

Primary Examiner—James R. Largen

Assistant Examiner—Y. Brunot

Attorney, Agent, or Firm—Jennings, Carter, Thompson & Veal

[57] CLAIM

The ornamental design for a gun rack, as shown and described.

DESCRIPTION

FIG. 1 is a perspective view of a gun rack showing my new design;
 FIG. 2 is an enlarged side elevational view thereof, the opposite side being the same as the side shown;
 FIG. 3 is an end elevational view thereof, the opposite end being a mirror image of the end shown;
 FIG. 4 is a top plan view thereof;
 FIG. 5 is a bottom view thereof; and,
 FIG. 6 is a perspective view of a second embodiment thereof.

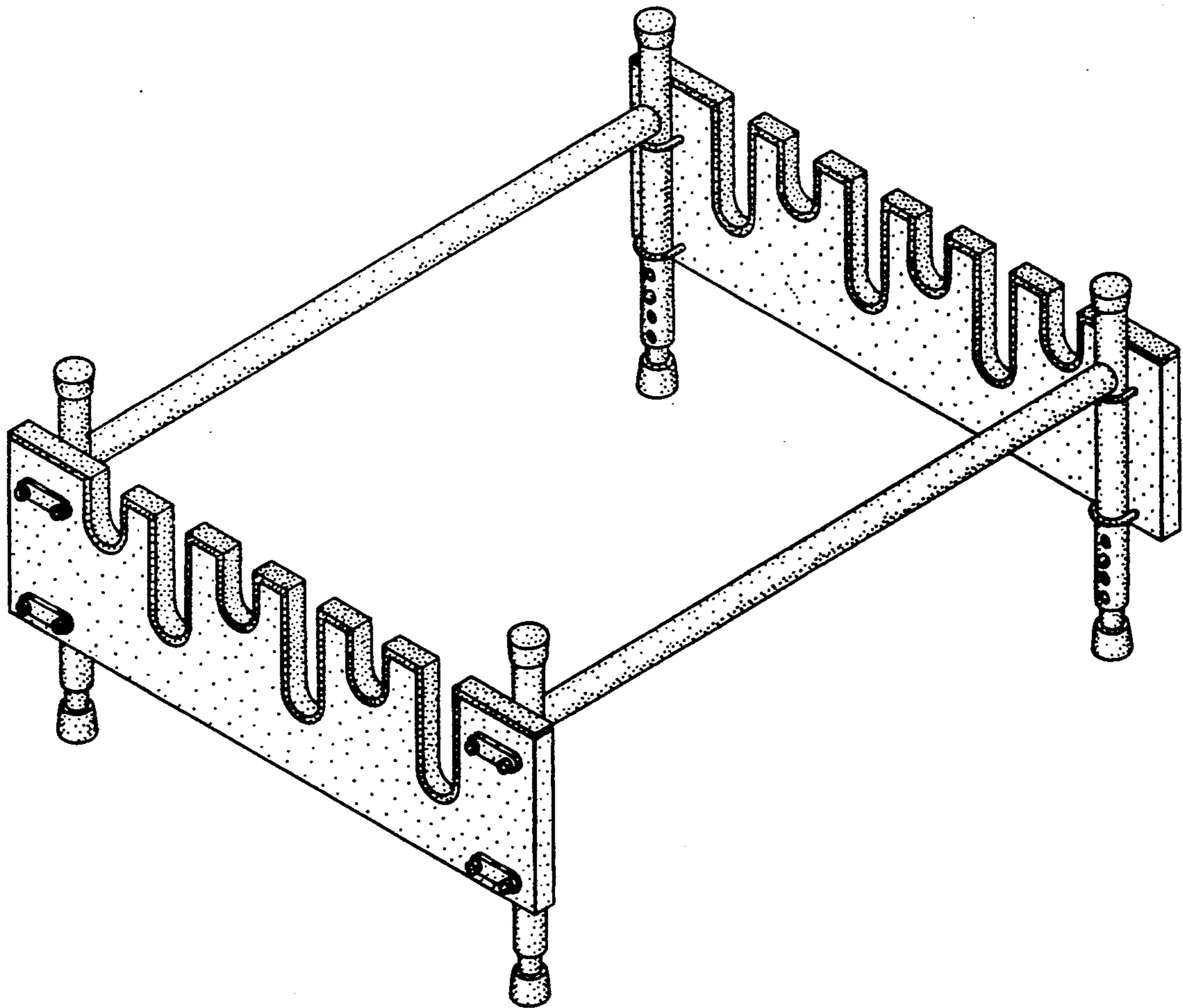


Fig. 1

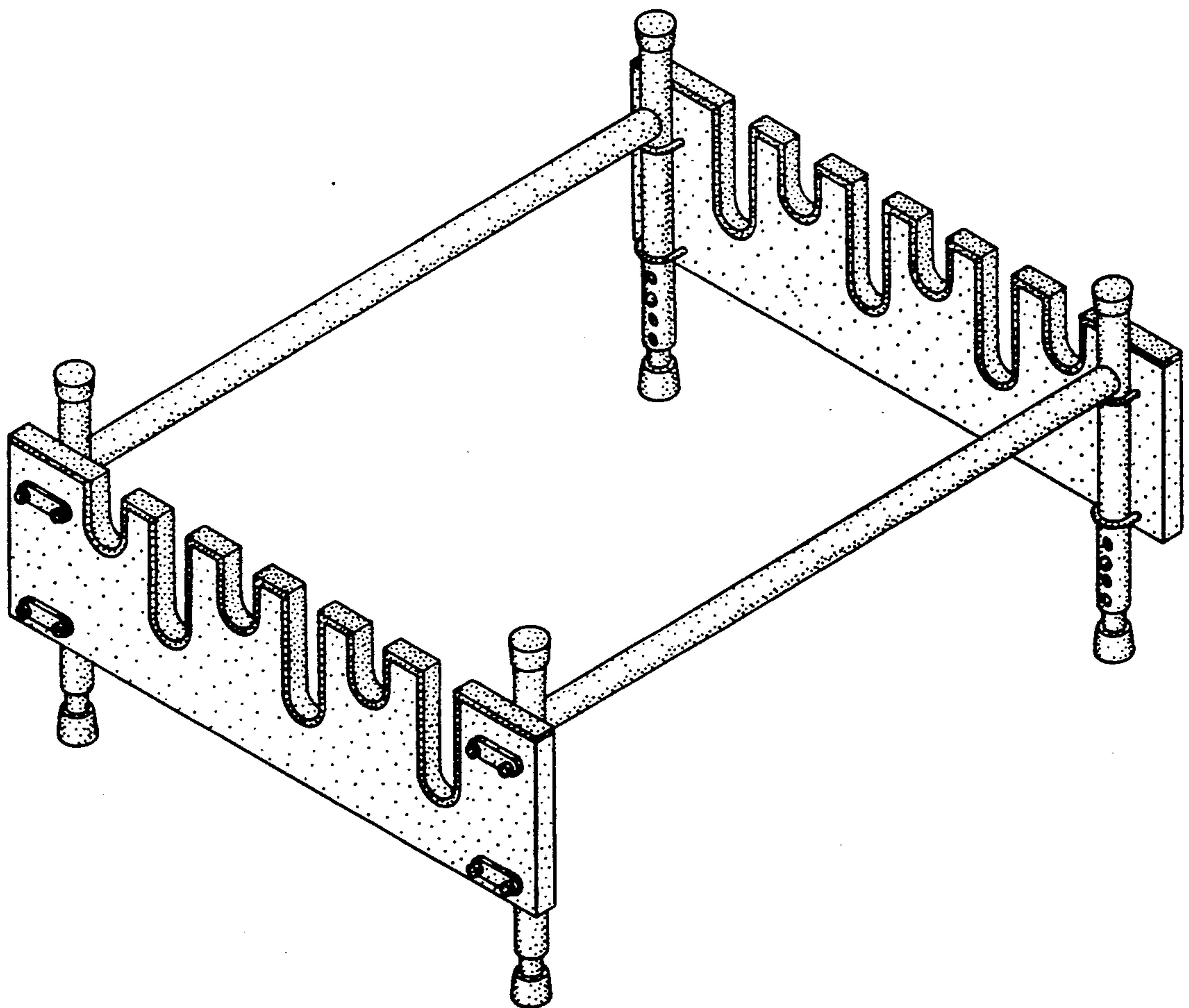


Fig. 2

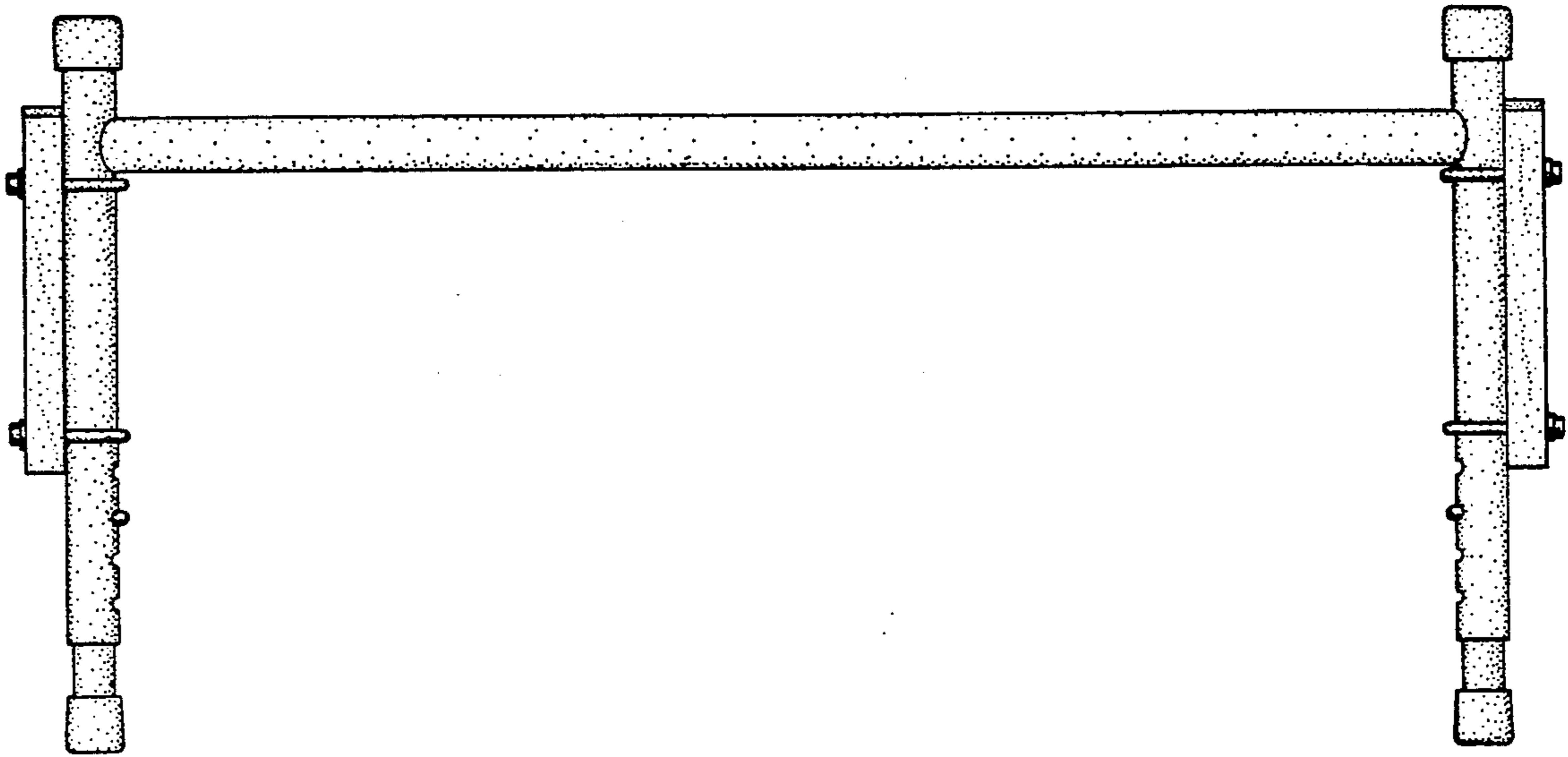


Fig. 3

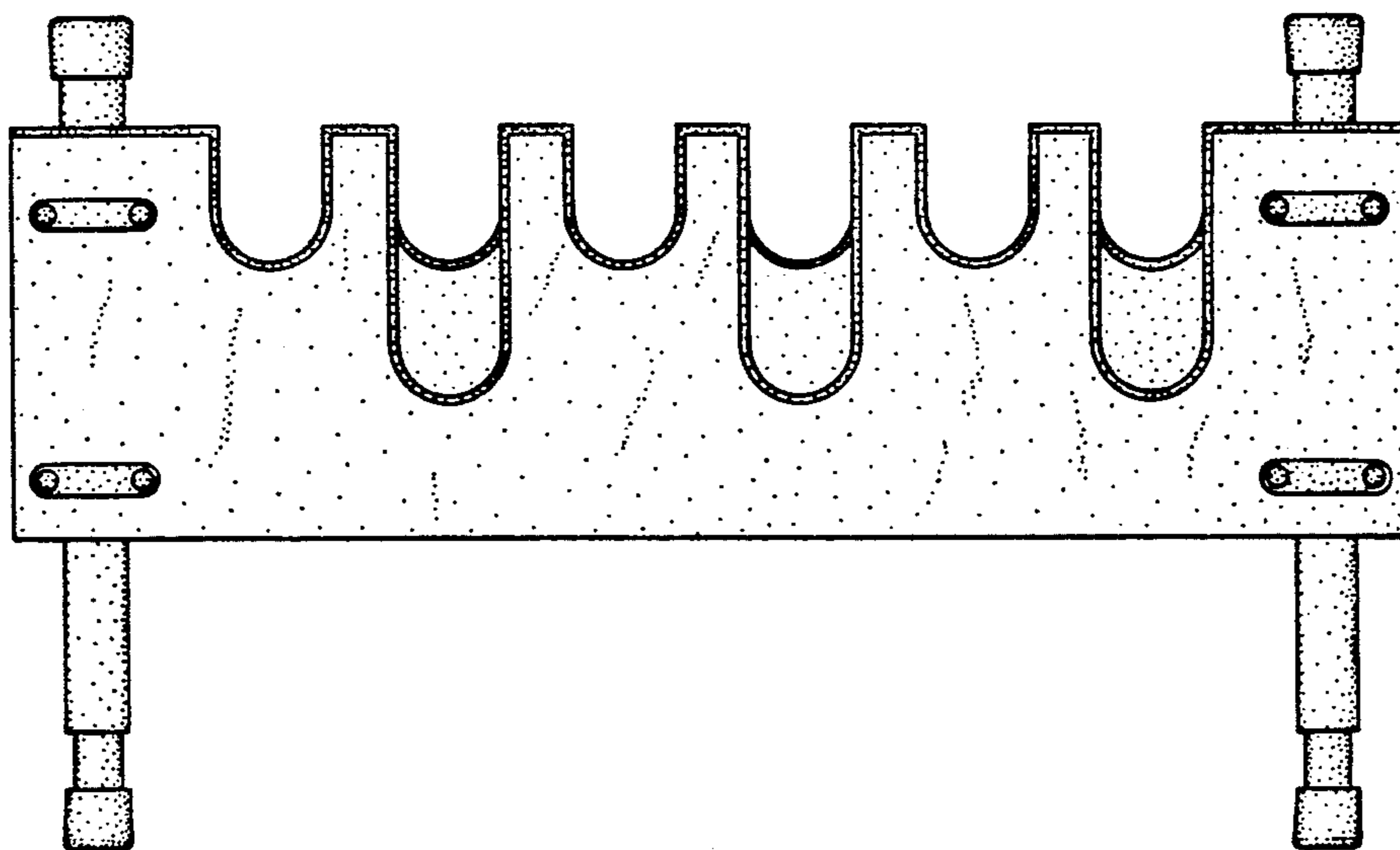


Fig. 4

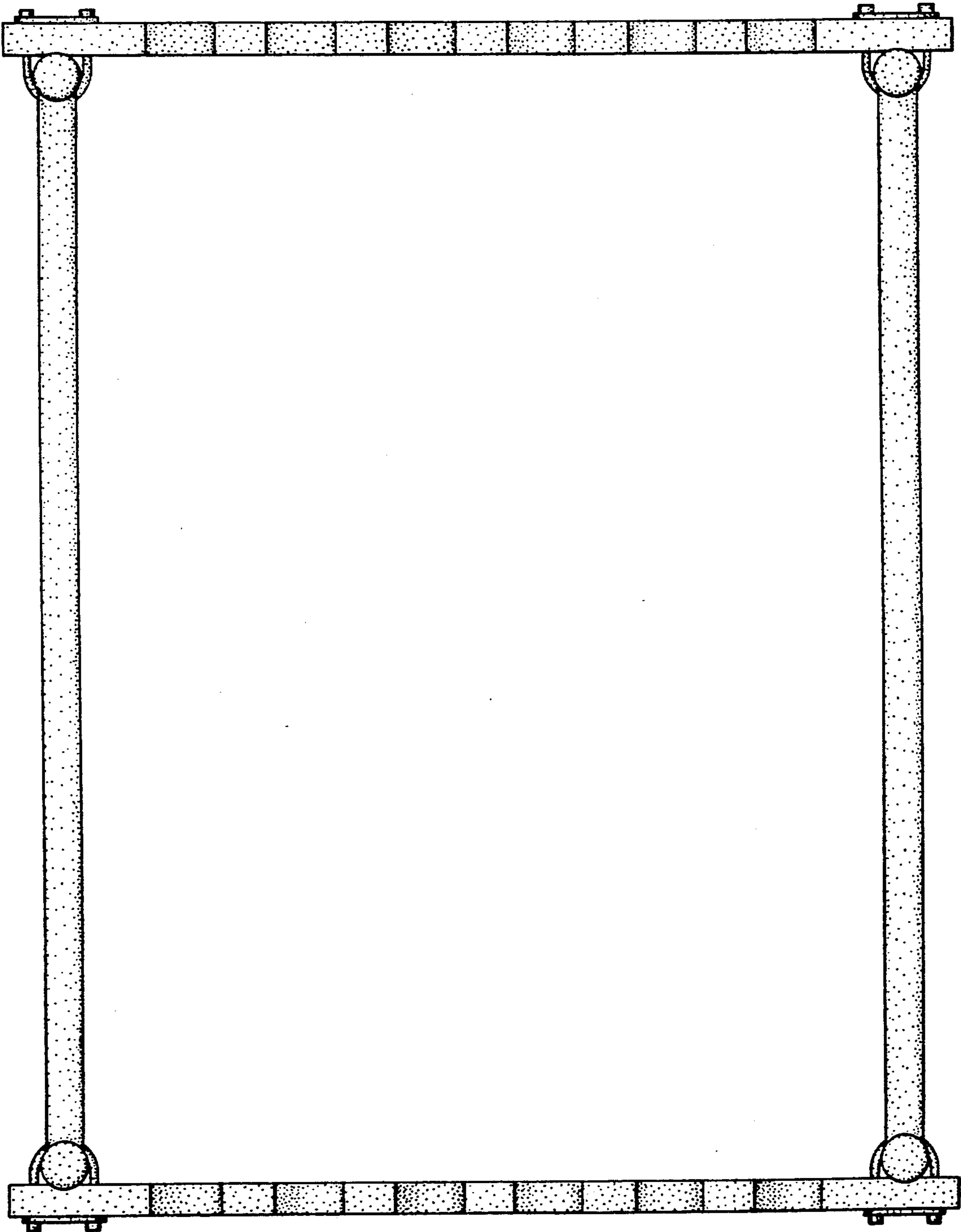


Fig. 5

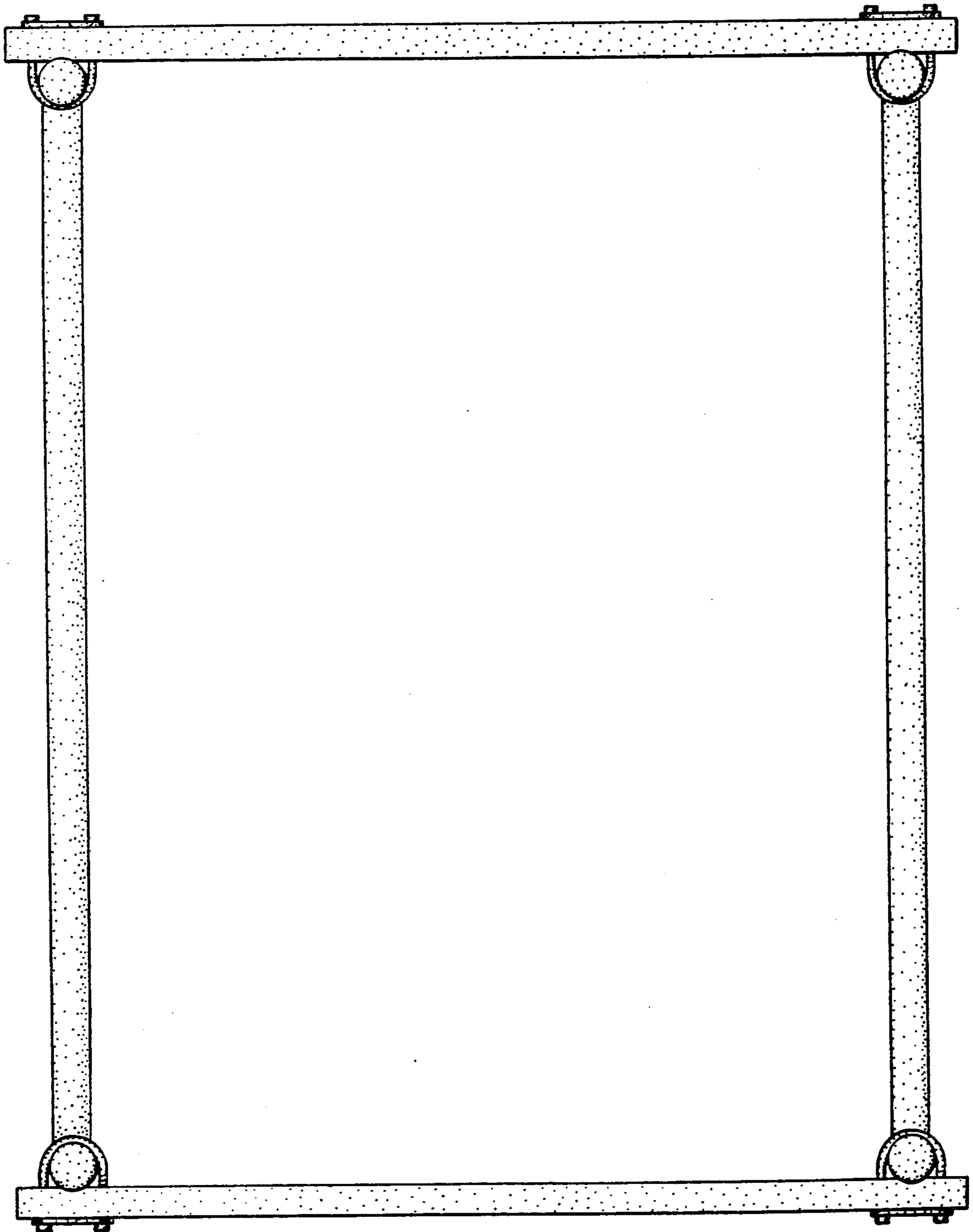


Fig. 6

