



US00D324950S

United States Patent [19]

[11] Patent Number: **Des. 324,950**

Ozeki

[45] Date of Patent: **** Mar. 31, 1992**

[54] **CASE FOR RECEIVING MAGNETIC RECORDING MEDIUMS**

4,457,429	7/1984	Huber et al.	220/4.21	X
4,488,645	12/1984	Yamaguchi	206/312	X
4,511,034	4/1985	Pan	206/312	X
4,784,264	11/1988	Sykes	206/387	

[75] Inventor: **Jiro Ozeki, Tokyo, Japan**

[73] Assignee: **Slidex Corporation, Tokyo, Japan**

[**] Term: **14 Years**

[21] Appl. No.: **391,847**

[22] Filed: **Aug. 10, 1989**

[30] **Foreign Application Priority Data**

Feb. 10, 1989	[JP]	Japan	1-4580
Mar. 29, 1989	[JP]	Japan	1-10940

[52] U.S. Cl. **D3/35**

[58] Field of Search **D9/423, 432, 420; D3/35; 206/312, 387, 444, 307, 313; 220/4.21, 4.22, 4.23, 4.24**

[56] **References Cited**

U.S. PATENT DOCUMENTS

D. 307,076	4/1990	Ozeki	D3/35
D. 307,667	5/1990	Ozeki	D3/35

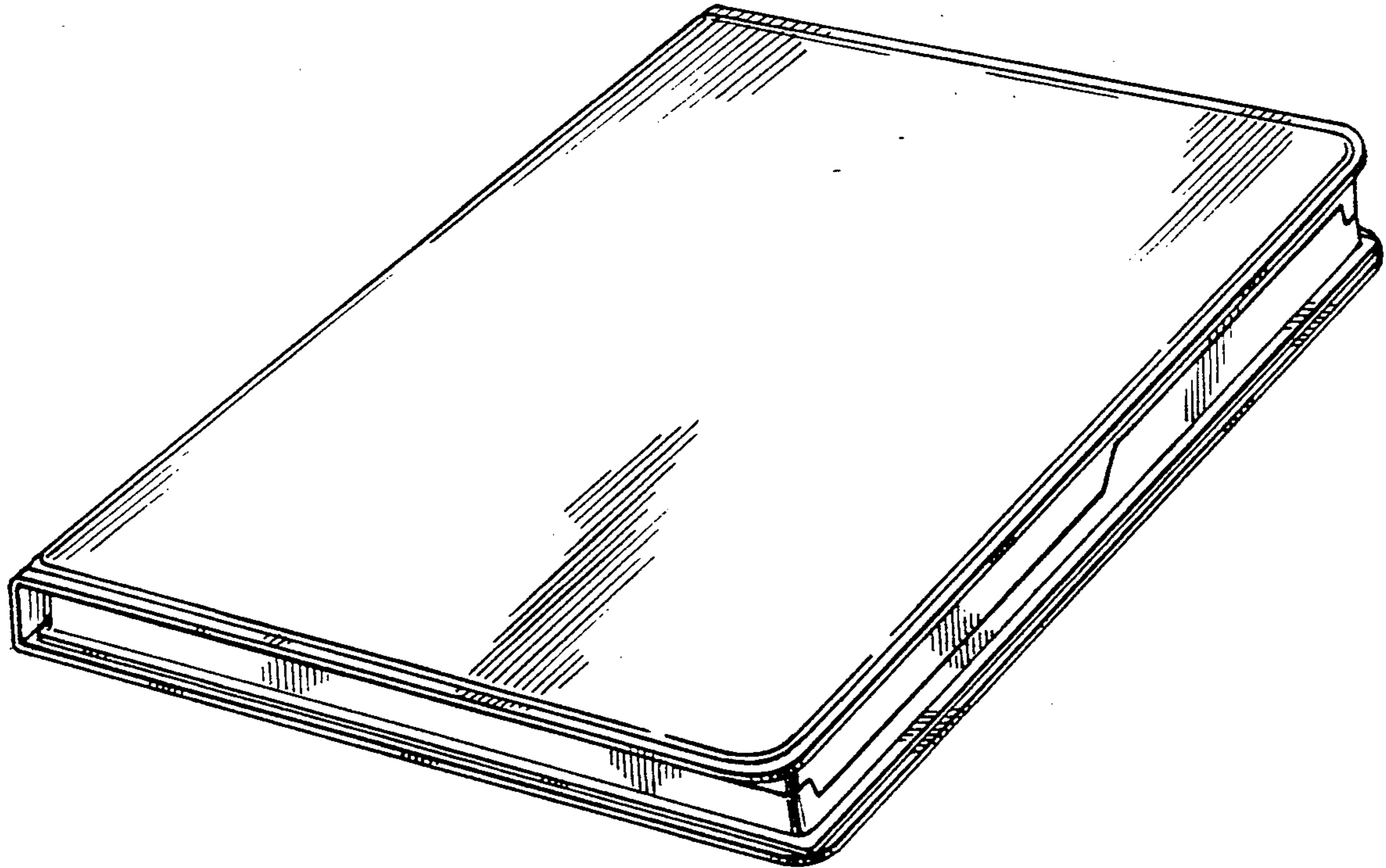
Primary Examiner—Bernard Ansher
Assistant Examiner—Prabhakar Deshmukh
Attorney, Agent, or Firm—Fleit, Jacobson, Cohn, Price, Holman & Stern

[57] CLAIM

The ornamental design for a case for receiving magnetic recording mediums, as shown and described.

DESCRIPTION

FIG. 1 is a top perspective view of a case for receiving magnetic recording mediums showing my new design; FIG. 2 is a front elevation thereof; FIG. 3 is a left side elevation thereof; FIG. 4 is a right side elevation thereof; FIG. 5 is a rear elevation thereof; FIG. 6 is a top perspective view thereof, in an open position; and, FIG. 7 is a second embodiment of FIG. 6. The bottom is identical to the top as shown in FIG. 1.



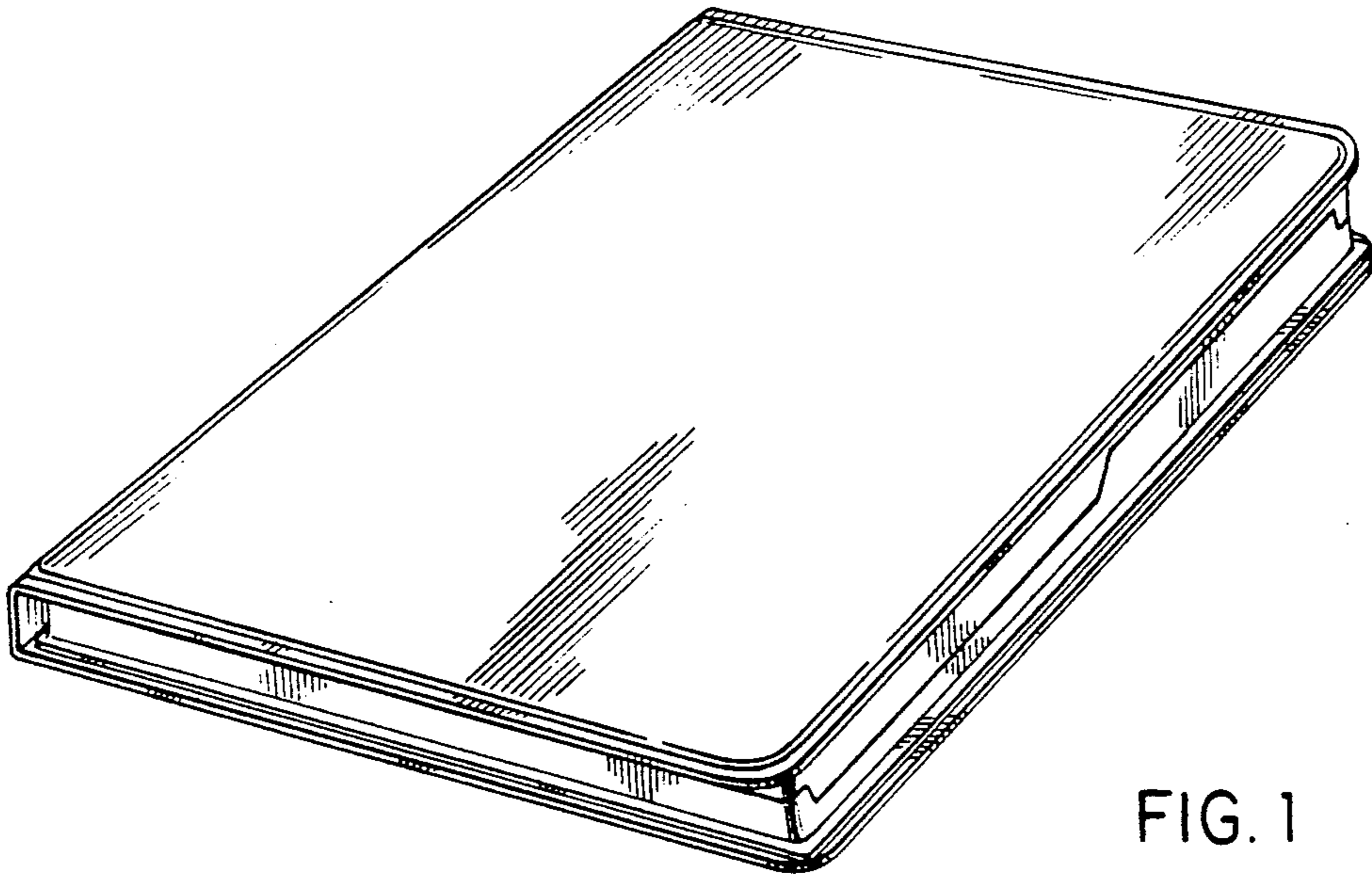


FIG. 1

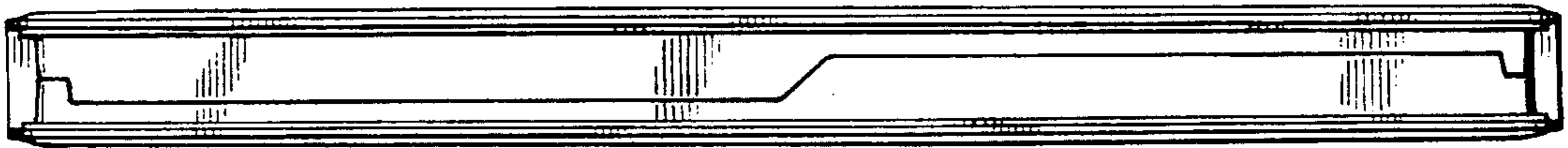


FIG. 2

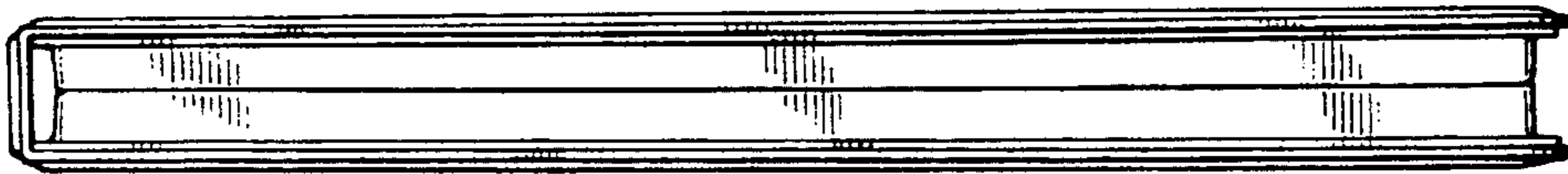


FIG. 3

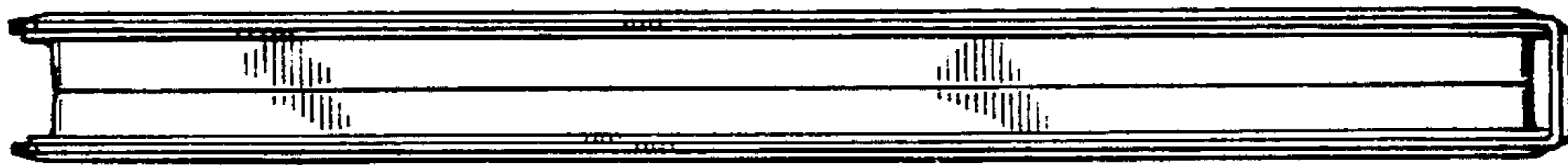


FIG. 4

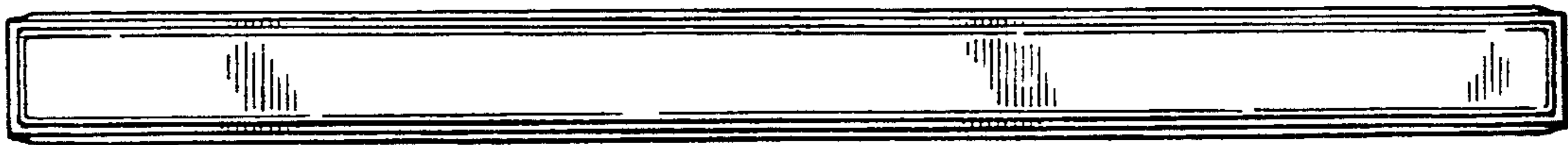


FIG. 5

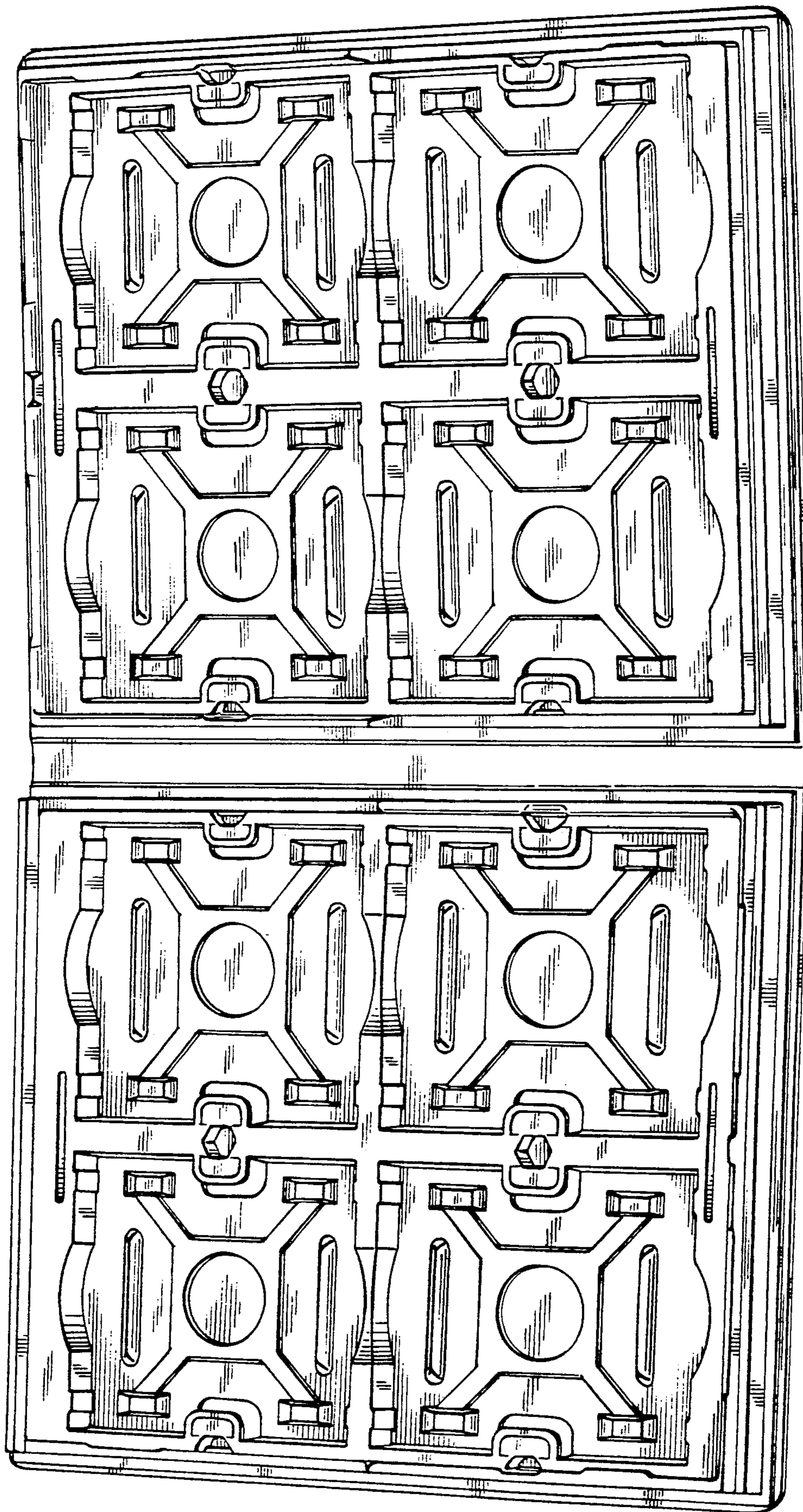


FIG. 6

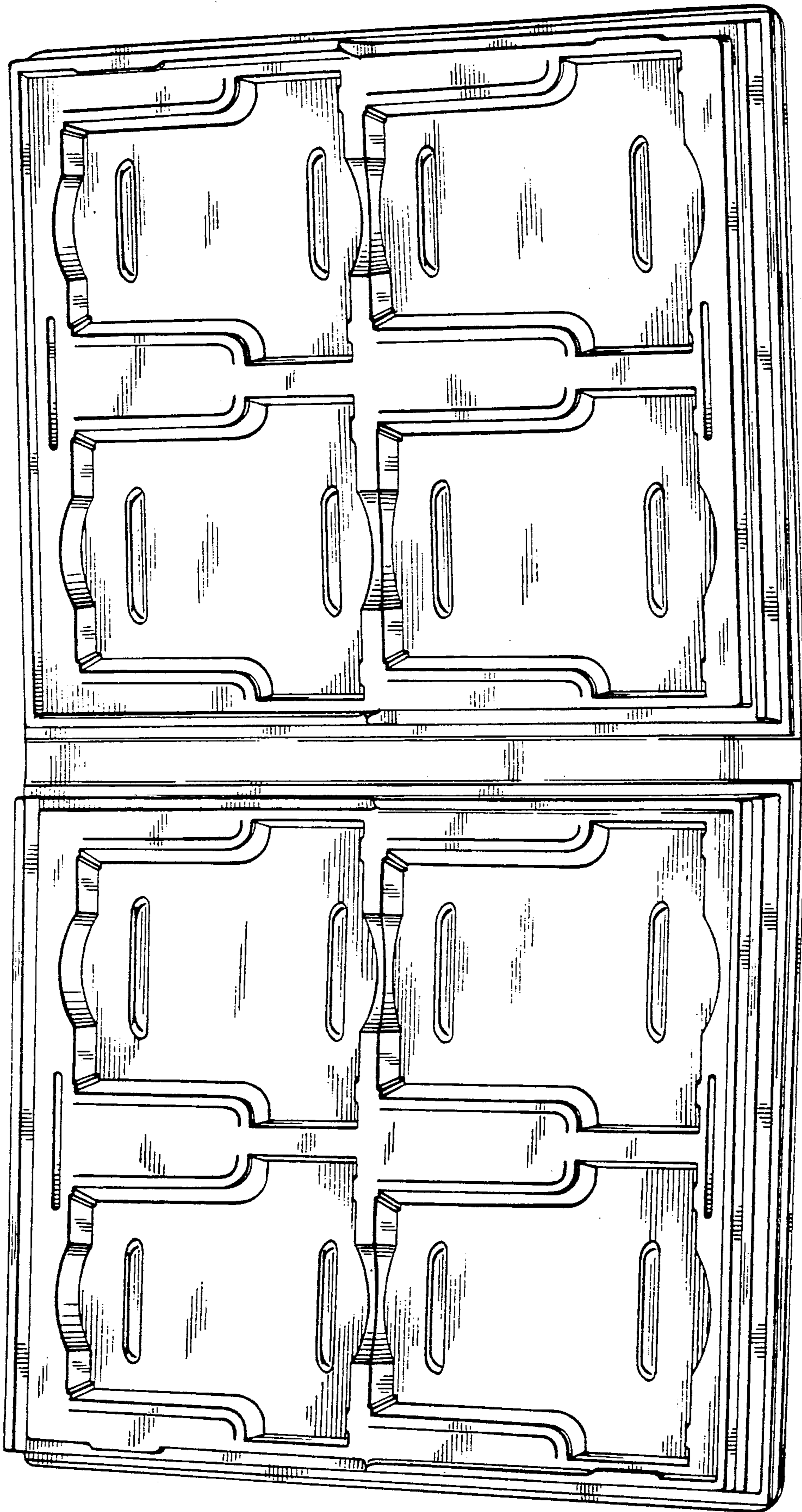


FIG. 7