



US00D324949S

United States Patent [19]

St-Clair

[11] Patent Number: **Des. 324,949**

[45] Date of Patent: **** Mar. 31, 1992**

[54] COMBINED VIDEO TAPE PLAYER AND ATTACHE

[76] Inventor: **Paul St-Clair, 93-23, 207 St., Queens Village, N.Y. 11428**

[**] Term: **14 Years**

[21] Appl. No.: **266,492**

[22] Filed: **Nov. 3, 1988**

[52] U.S. Cl. **D3/33; D3/30.1; D14/135; D14/160**

[58] Field of Search **D3/18, 20, 30.1, 30.5, D3/32-35, 39, 41-45, 48-51, 53, 61-64, 66, 70, 73, 74, 76, 78, 99, 100, 106; D7/533, 605, 626, 629; D9/308, 341, 432; D14/100, 135, 136, 160; D19/75, 77, 85; D21/137; D24/99; D34/43; 150/528; 190/107, 109, 111, 112, 115, 150, 900, 903; 206/1.7, 8, 206, 214, 316.1, 372, 373; 220/20, 20.5, 21, 23, 324; 224/151, 153, 155, 160, 202, 209, 213; 312/DIG. 33, 287, 290; 364/708; 383/6, 10, 40, 41, 66, 72, 907; 400/685; 428/16; 446/72-76**

[56] References Cited

U.S. PATENT DOCUMENTS

D. 193,592	9/1962	Bönisch	D3/73
D. 194,958	4/1963	Quinn et al.	D3/73
D. 263,223	3/1982	Kurokawa et al.	D14/135
D. 277,850	3/1985	Miyashita	D14/135
D. 279,291	6/1985	Ueda	D14/135
D. 282,762	2/1986	Catelli	D3/76

D. 291,574	4/1987	Kini	D14/100
4,283,098	8/1981	Sun	312/DIG. 33
4,483,427	11/1984	Gerch	190/112
4,669,053	5/1987	Krenz	364/708
4,837,590	6/1989	Sprague	206/576

FOREIGN PATENT DOCUMENTS

2007193	5/1977	United Kingdom	190/109
---------	--------	----------------	-------	---------

Primary Examiner—A. Hugo Word
Assistant Examiner—Celia A. Murphy
Attorney, Agent, or Firm—Leon Gildea

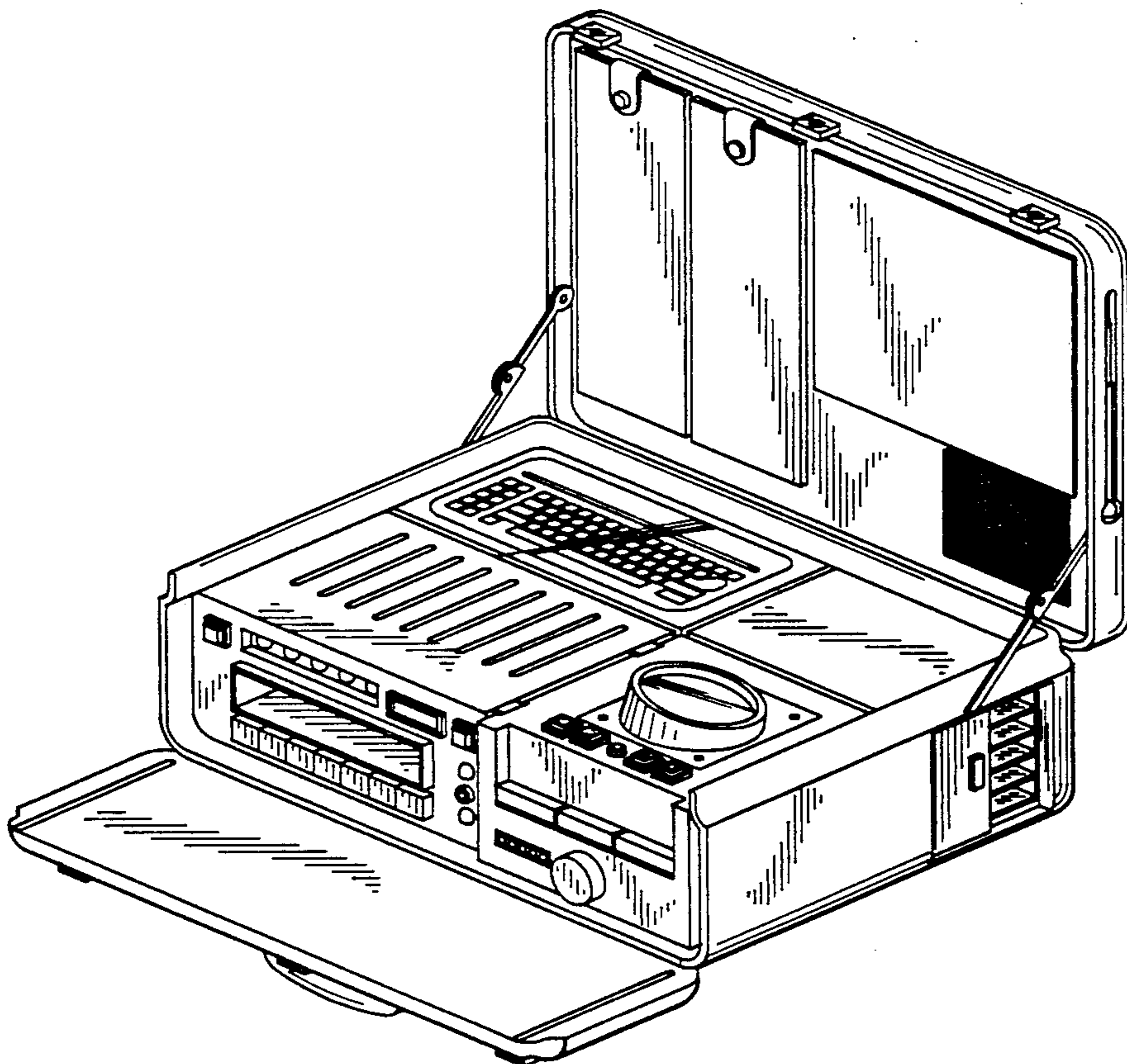
[57] CLAIM

The ornamental design for combined video tape player and attache, as shown and described.

DESCRIPTION

FIG. 1 is a front elevational view of a combined video tape player and attache showing my new design; FIG. 2 is a rear elevational view thereof; FIG. 3 is a left side elevational view thereof; FIG. 4 is a right side elevational view thereof; FIG. 5 is a top plan view thereof; FIG. 6 is a bottom plan view thereof; FIG. 7 is a reduced top right perspective view thereof; FIG. 8 is a top left perspective view of FIG. 7; and, FIG. 9 is a bottom perspective view of FIG. 7 shown rotated 180 degrees.

The broken lines showing legible indicia in FIGS. 1, 7, and 8 are for illustrative purposes only and form no part of the claimed design.



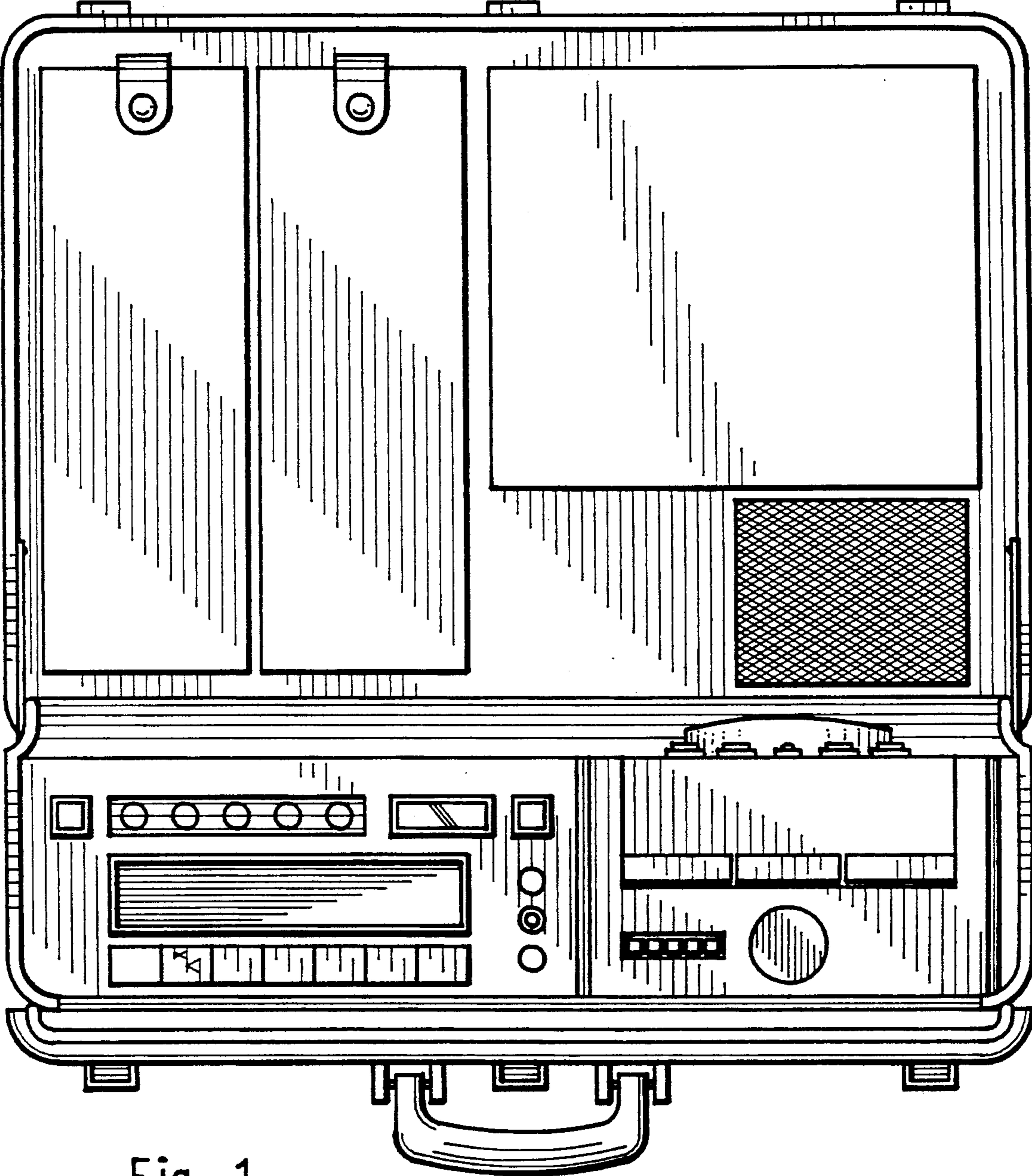


Fig. 1

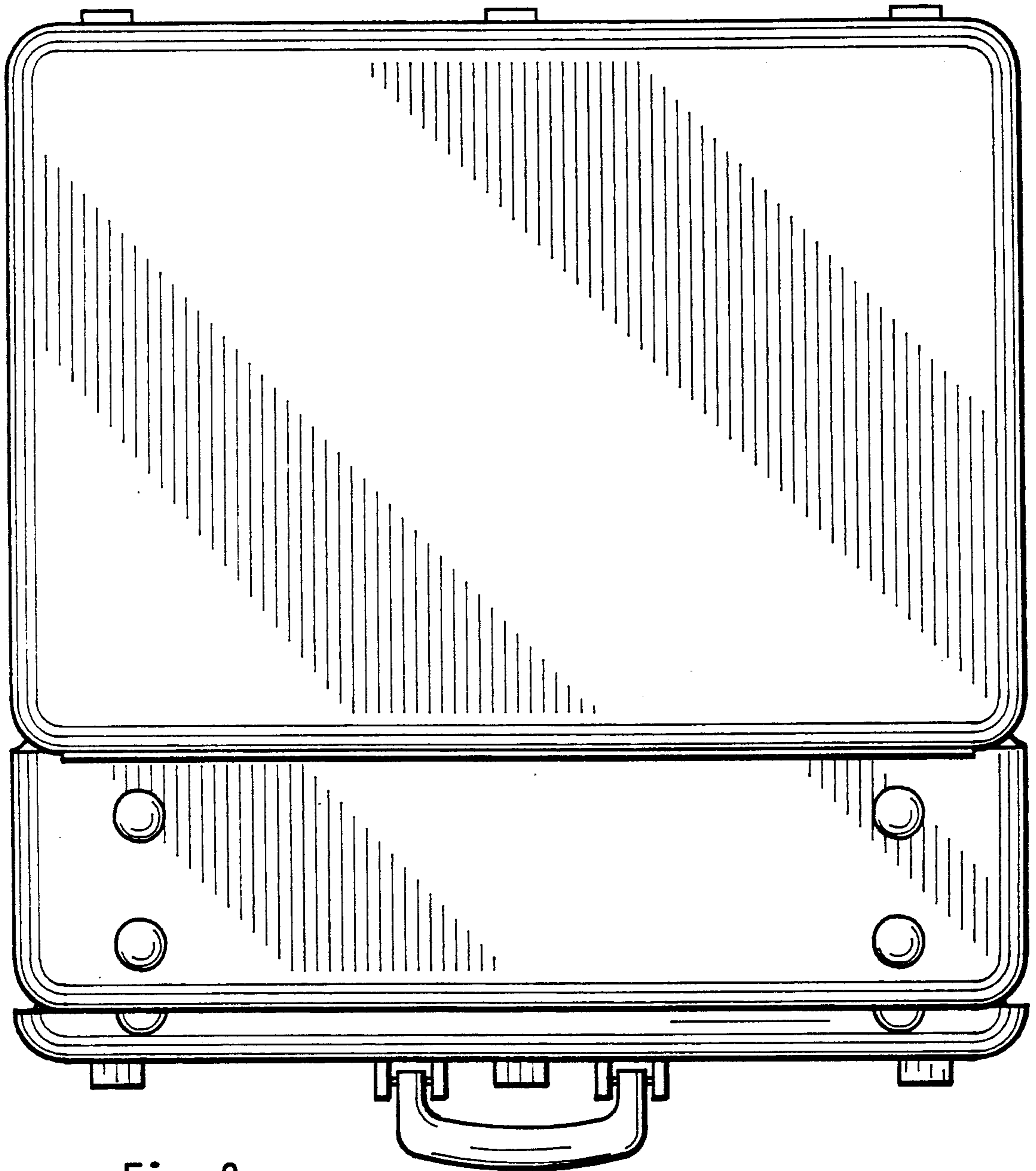


Fig. 2

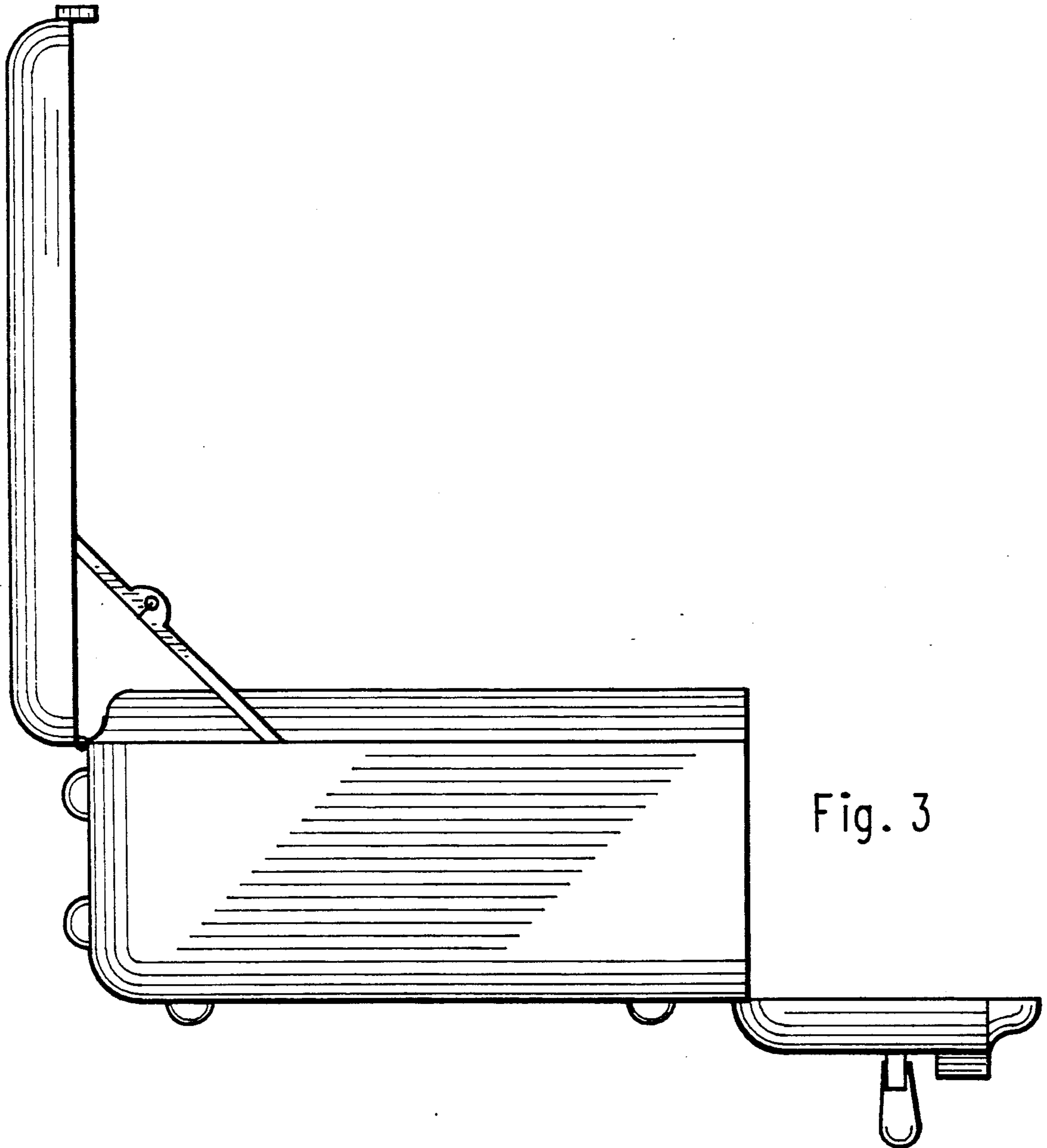
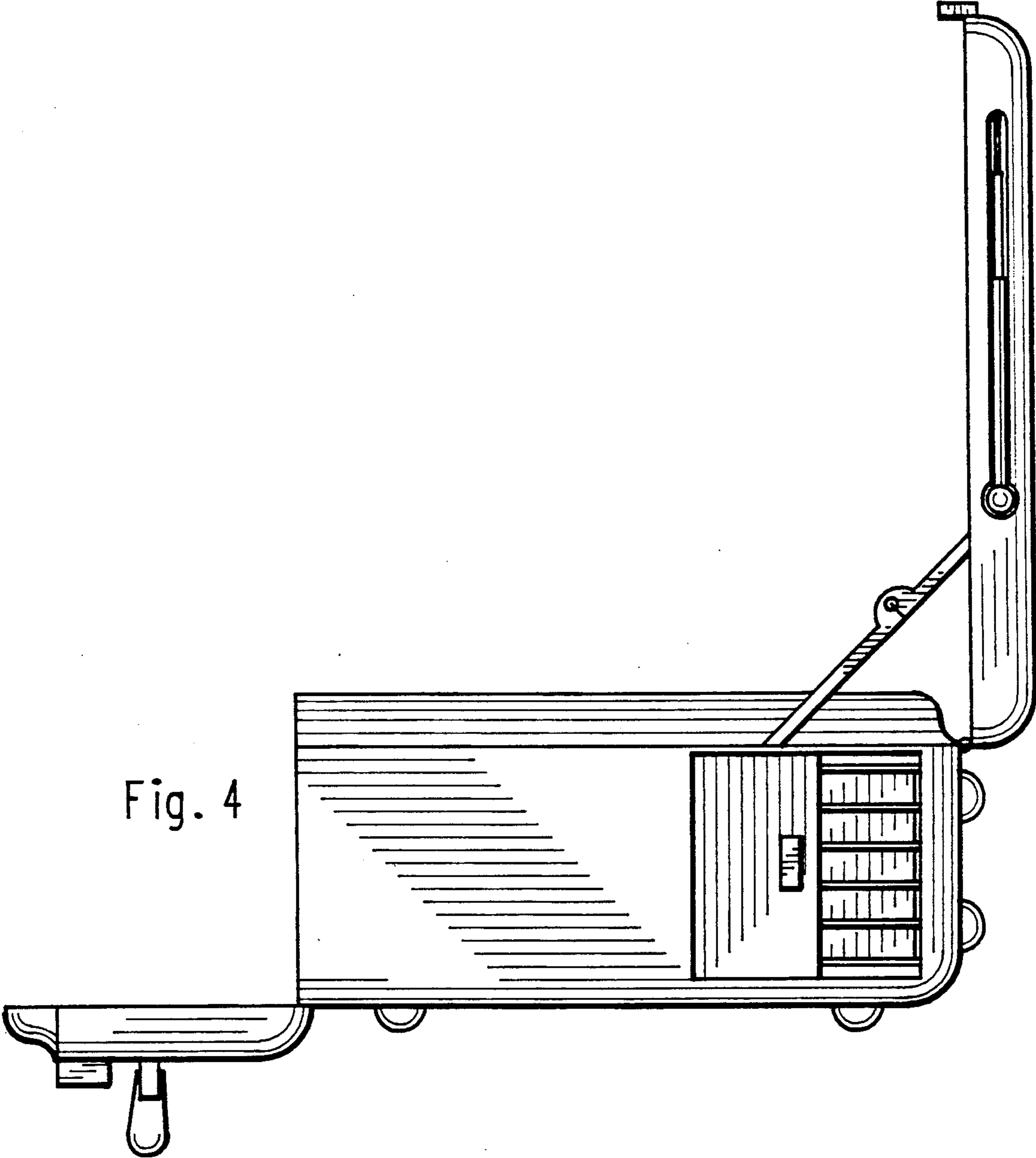


Fig. 3

Fig. 4



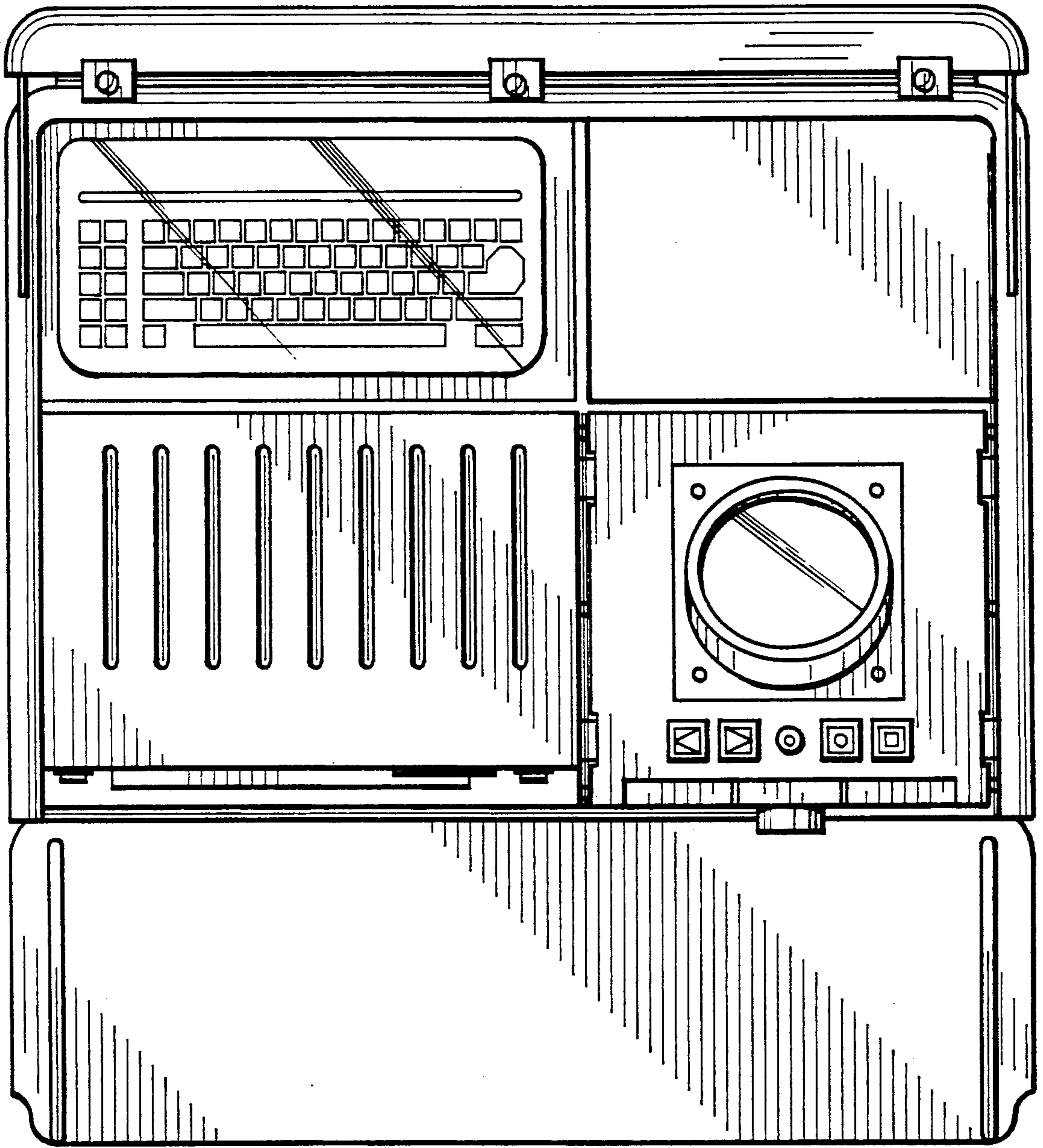


Fig. 5

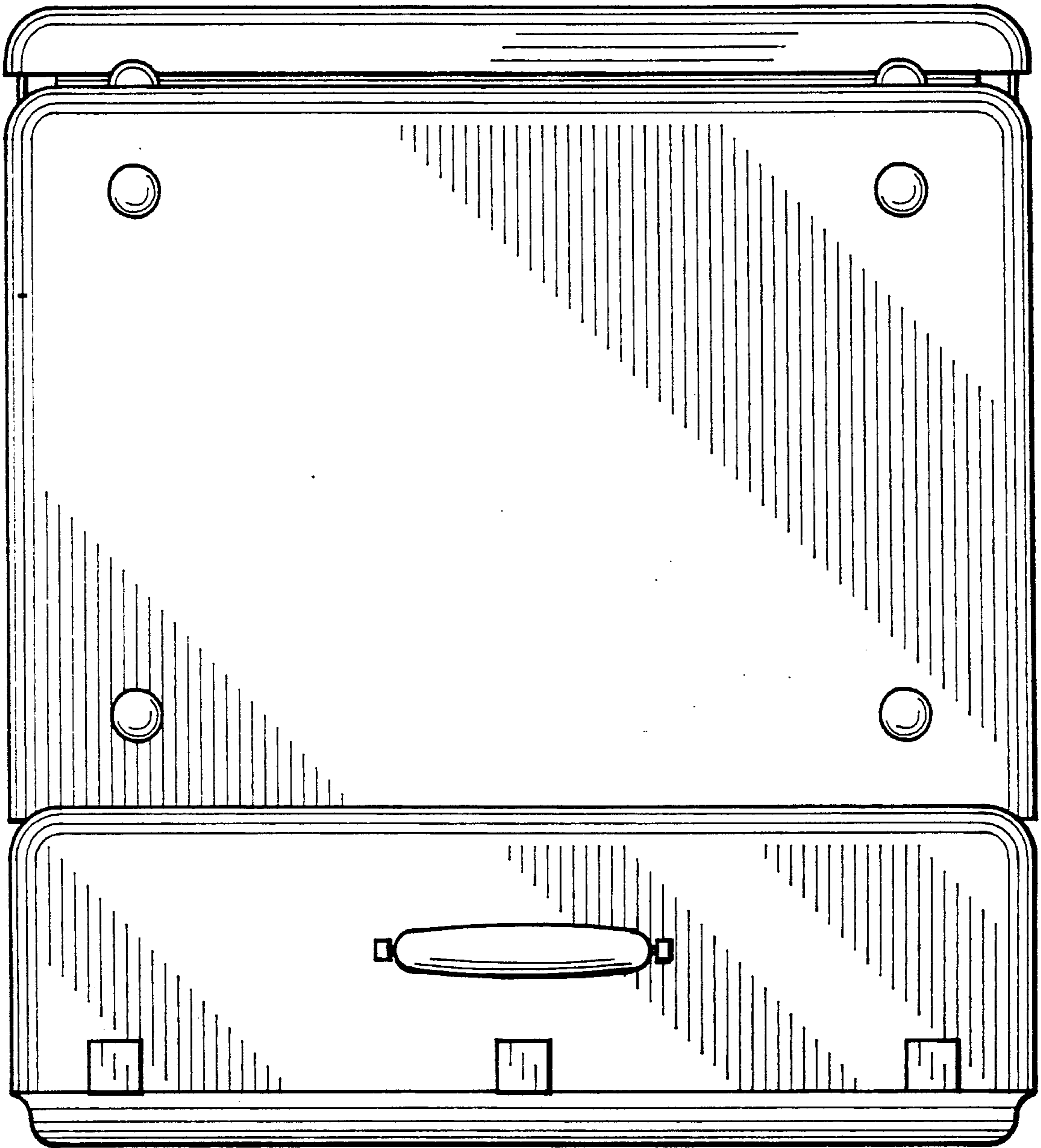


Fig. 6

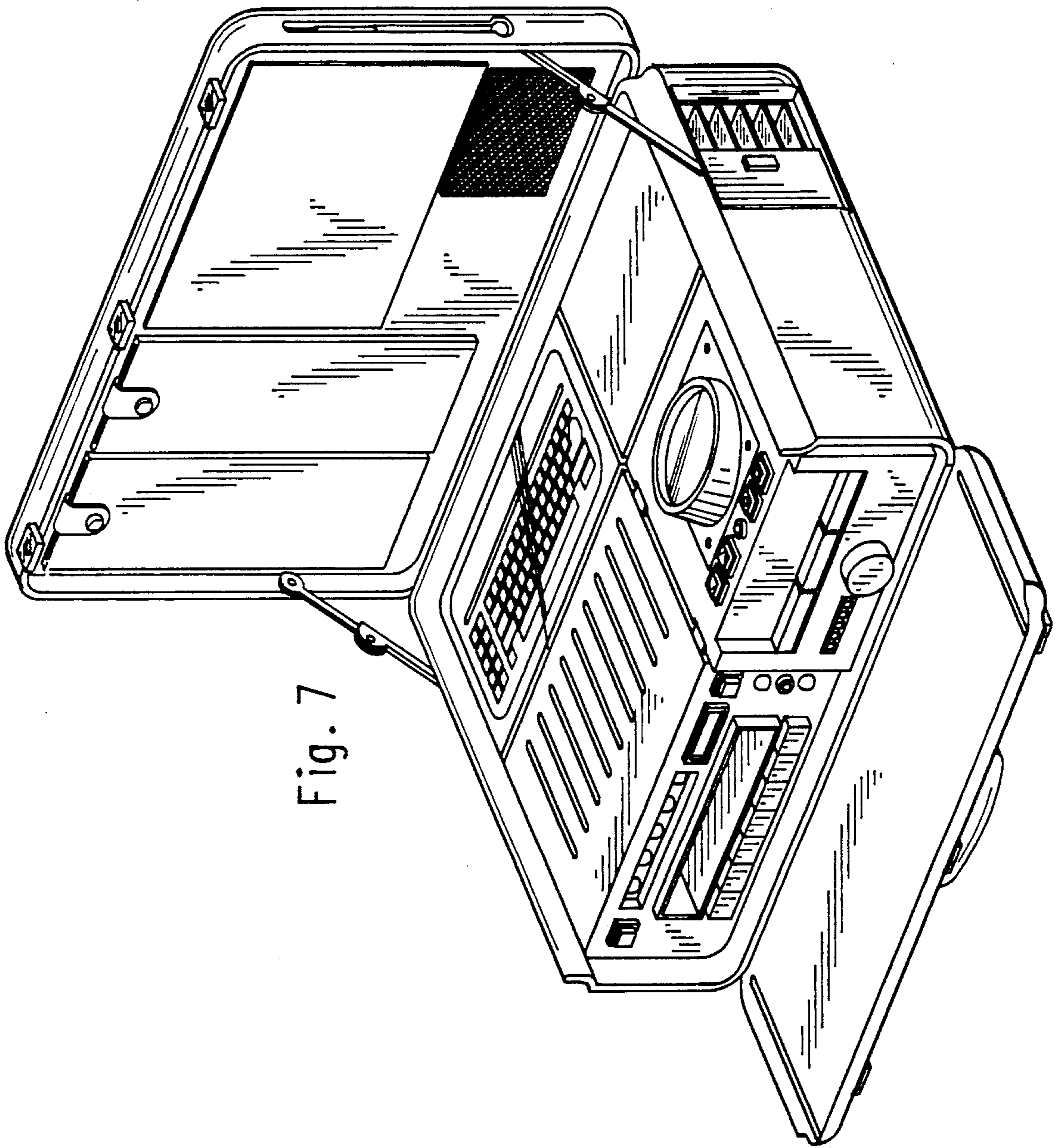


Fig. 7

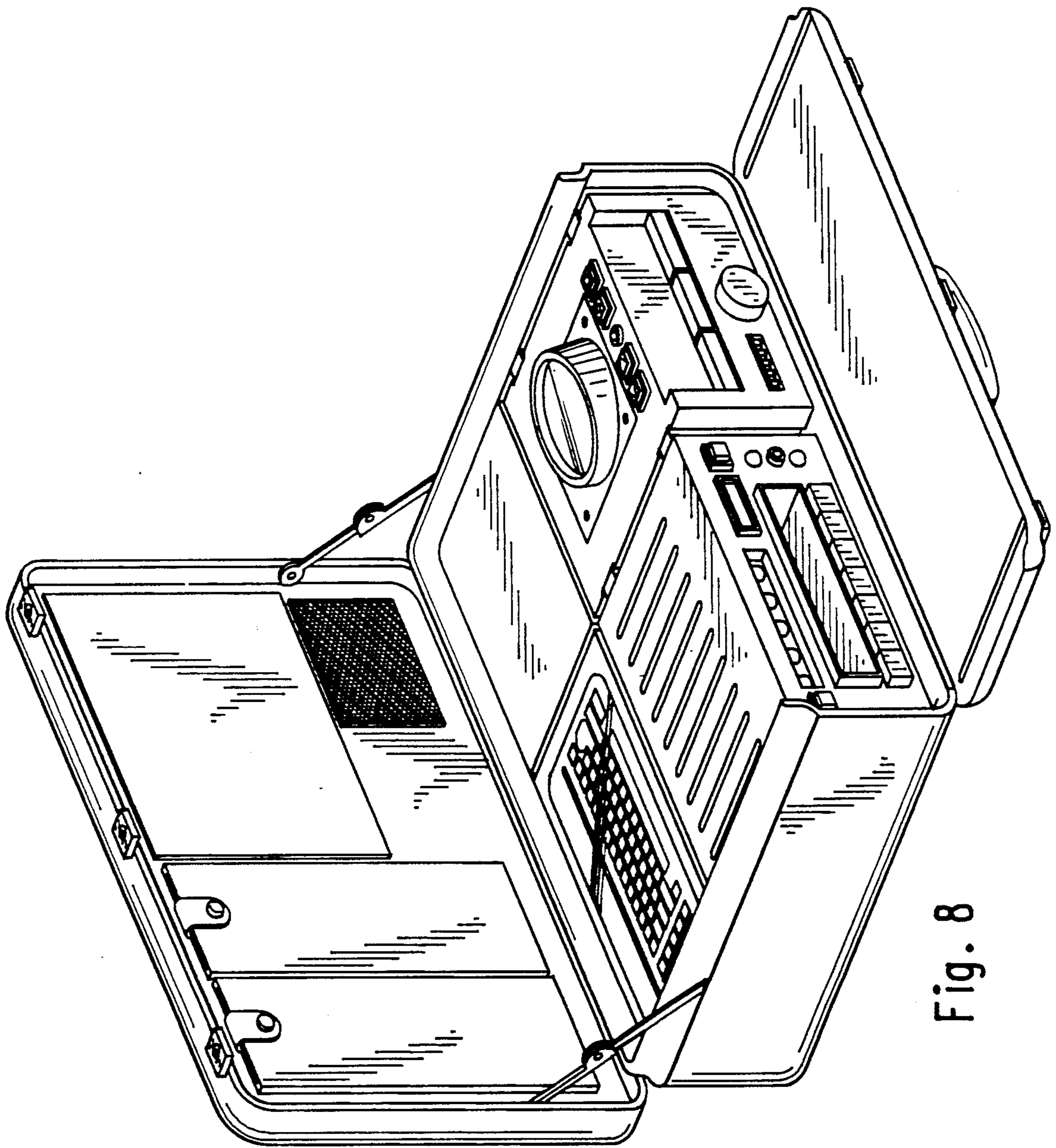


Fig. 8

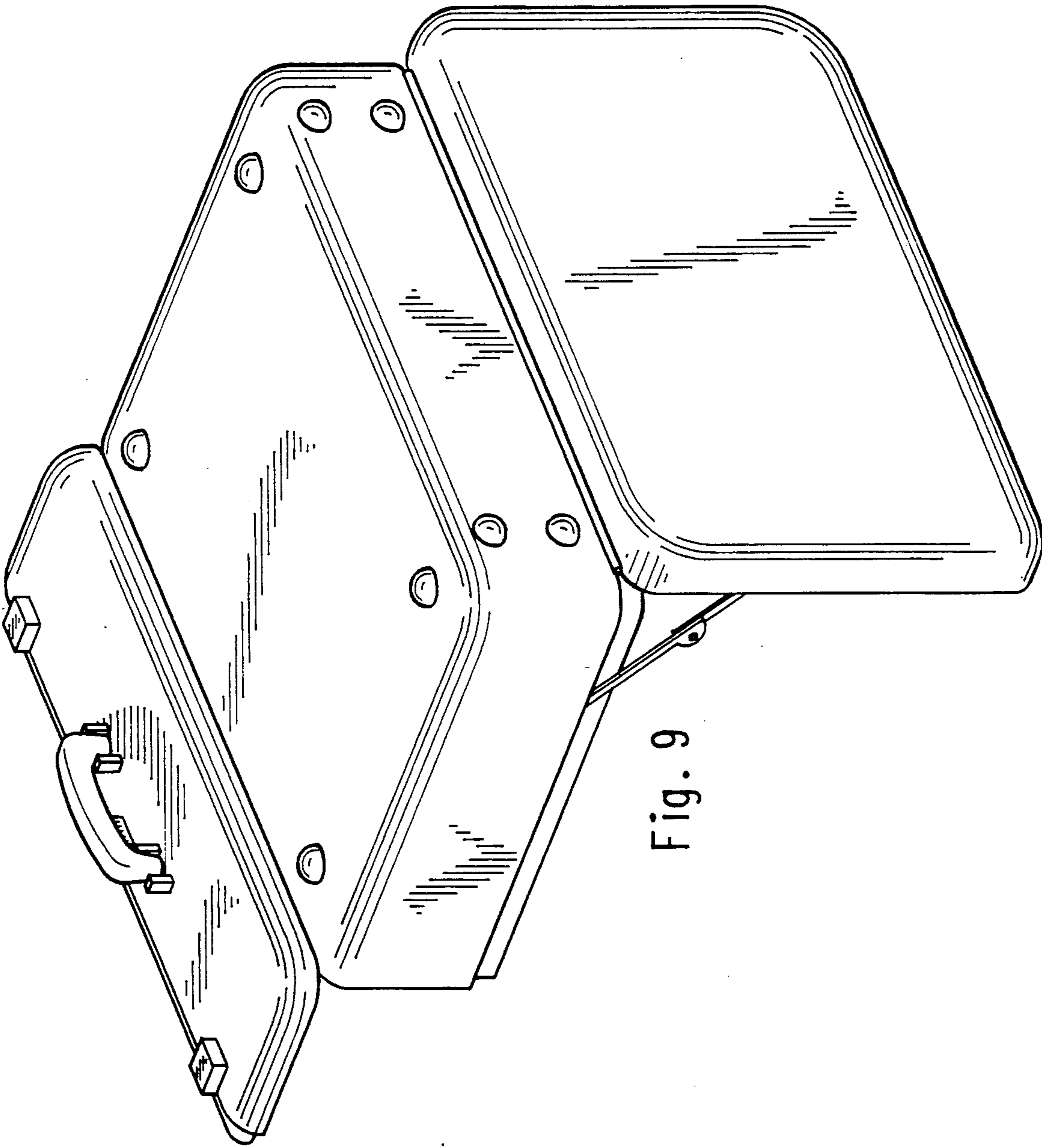


Fig. 9