



US00D324946S

United States Patent [19]

[11] Patent Number: **Des. 324,946**

Karten

[45] Date of Patent: **** Mar. 31, 1992**

[54] **QUAD CANE BASE**

4,044,784 8/1977 Smith 135/67
4,947,882 8/1990 Levasseur 135/77 X

[75] Inventor: **Stuart Karten, Marina Del Rey, Calif.**

Primary Examiner—Louis S. Zarfes
Attorney, Agent, or Firm—Christie, Parker & Hale

[73] Assignee: **Guardian Products, Inc., Arleta, Calif.**

[57] **CLAIM**

[**] Term: **14 Years**

The ornamental design for a quad cane base, as shown and described.

[21] Appl. No.: **479,645**

DESCRIPTION

[22] Filed: **Feb. 12, 1990**

FIG. 1 is a perspective view of a quad cane base showing my new design;

[52] U.S. Cl. **D3/17; D3/9**

FIG. 2 is a top plan view thereof;

[58] Field of Search **D3/5-17;**

FIG. 3 is a front side elevational view thereof;

135/15.1, 65, 66, 76, 77, 910, 911

FIG. 4 is a back side elevational view thereof;

FIG. 5 is a left side elevational view thereof, with the right side view being a mirror image; and,

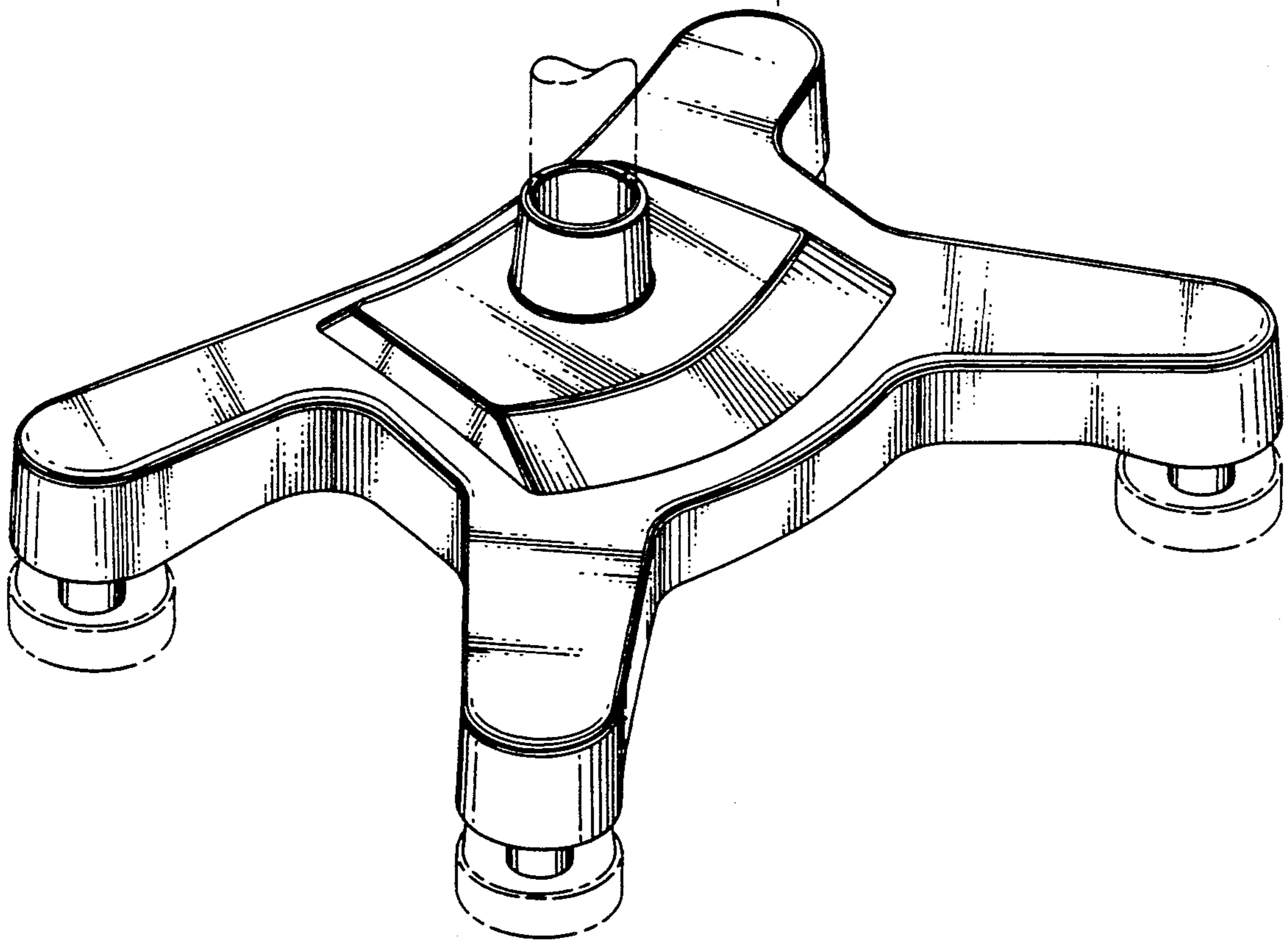
[56] **References Cited**

U.S. PATENT DOCUMENTS

- D. 277,677 2/1984 Bove et al. D3/9
- D. 290,186 6/1987 Meunchen D3/9
- 3,289,685 12/1966 Parker 135/77 X

FIG. 6 is a bottom plan view thereof.

The broken line showing of a portion of a cane and the bottom feet is for illustrative purposes only and forms no part of the claimed design.



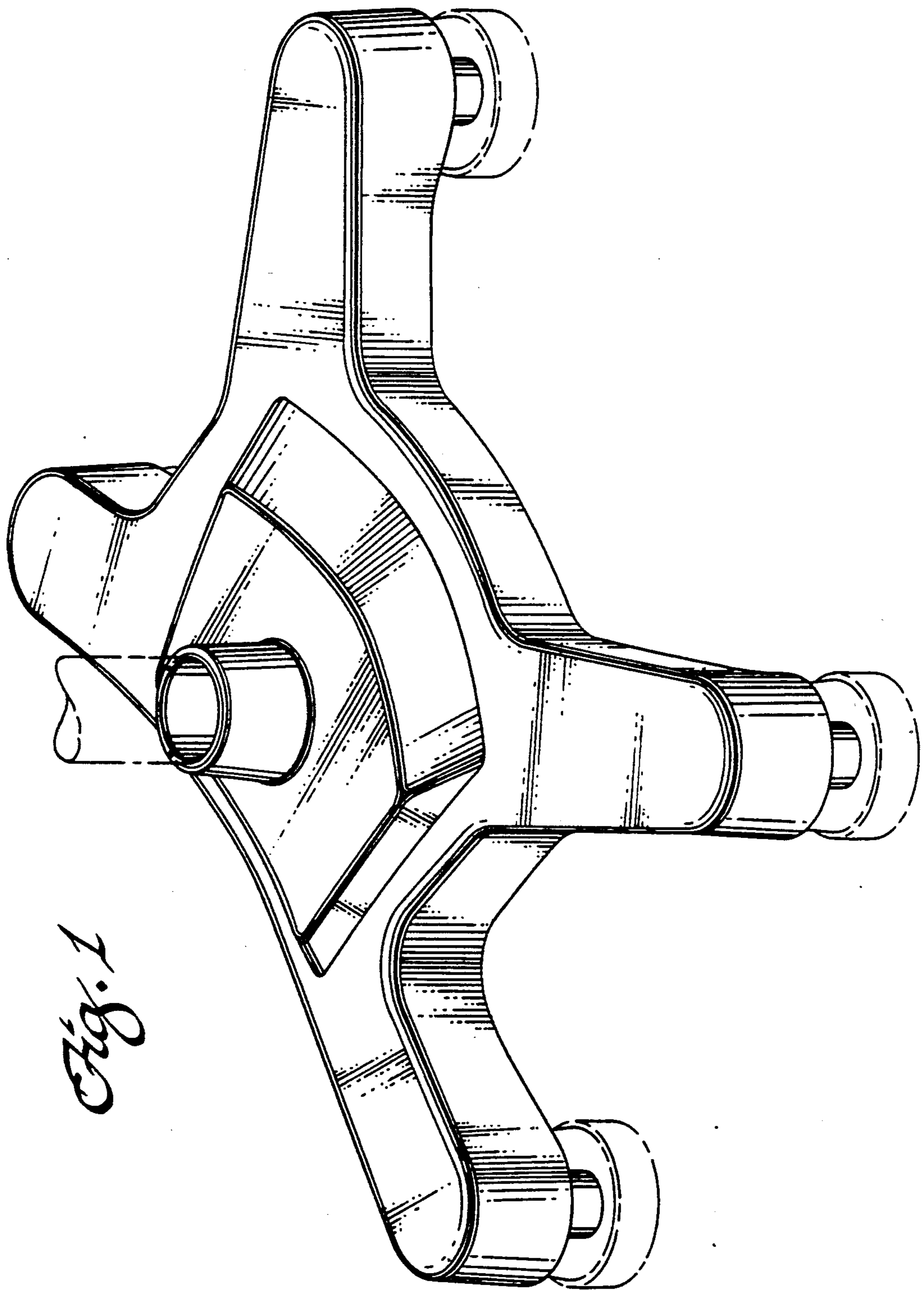


Fig. 1

Fig. 2

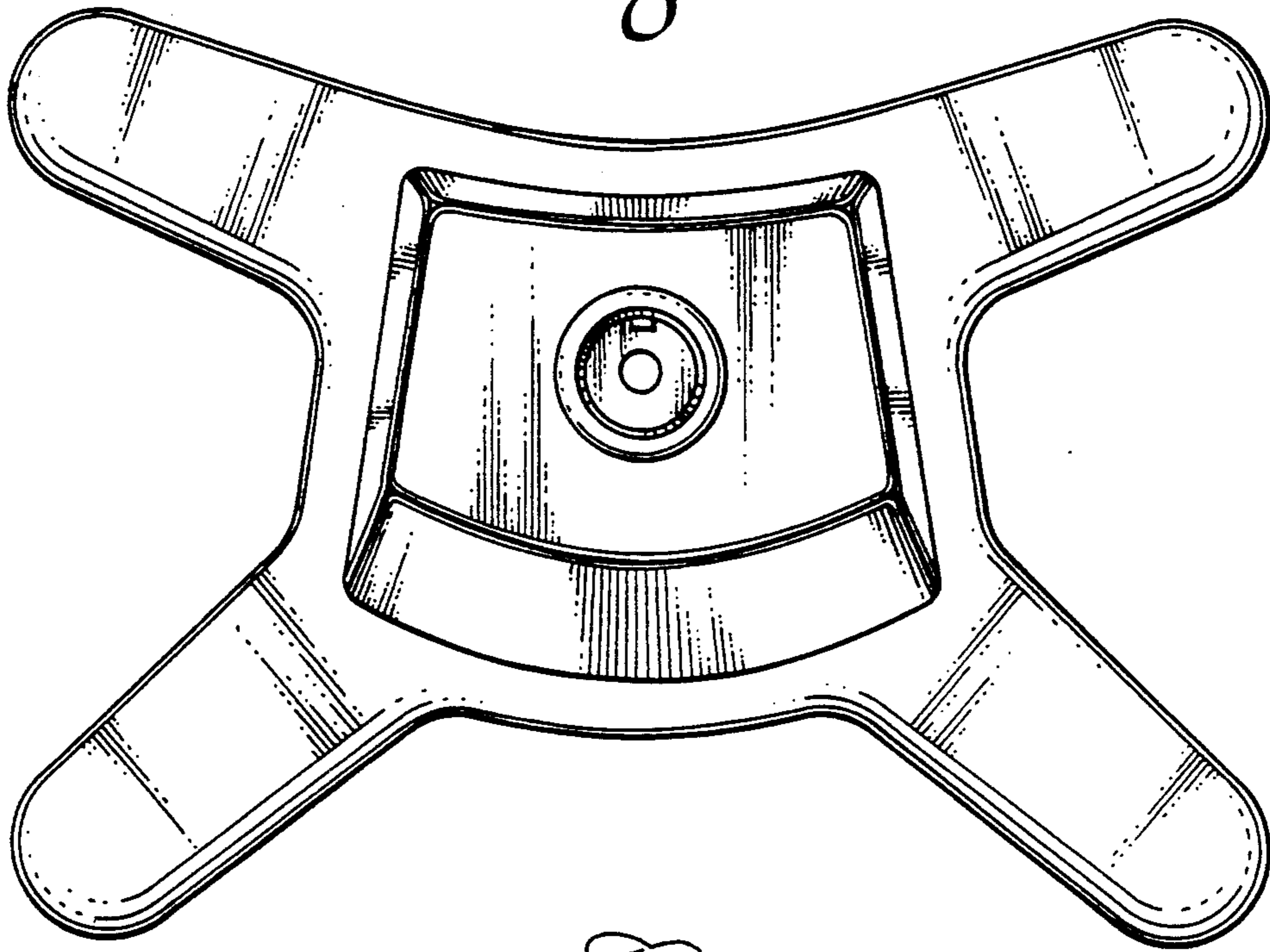


Fig. 3

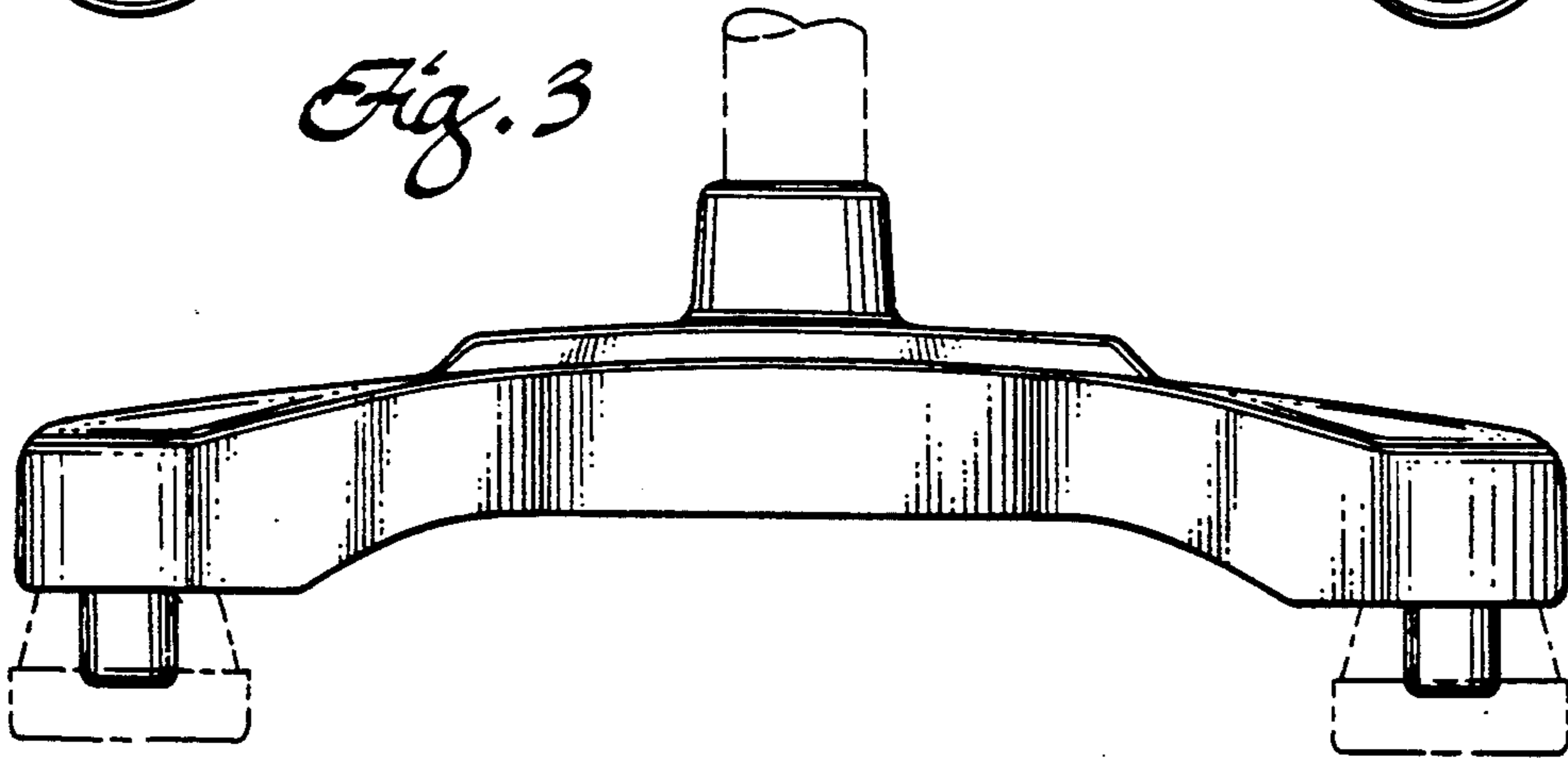


Fig. 4

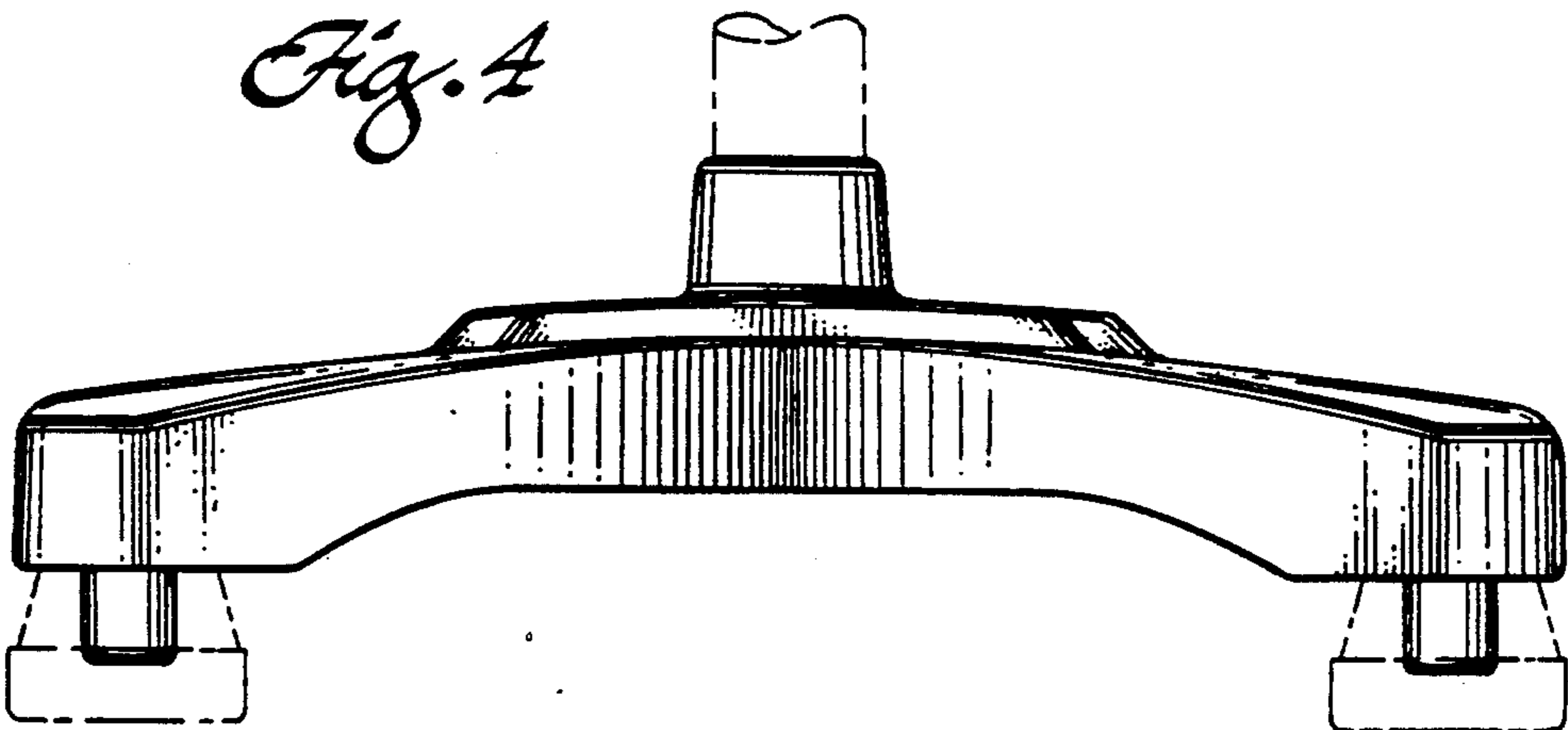


Fig. 5

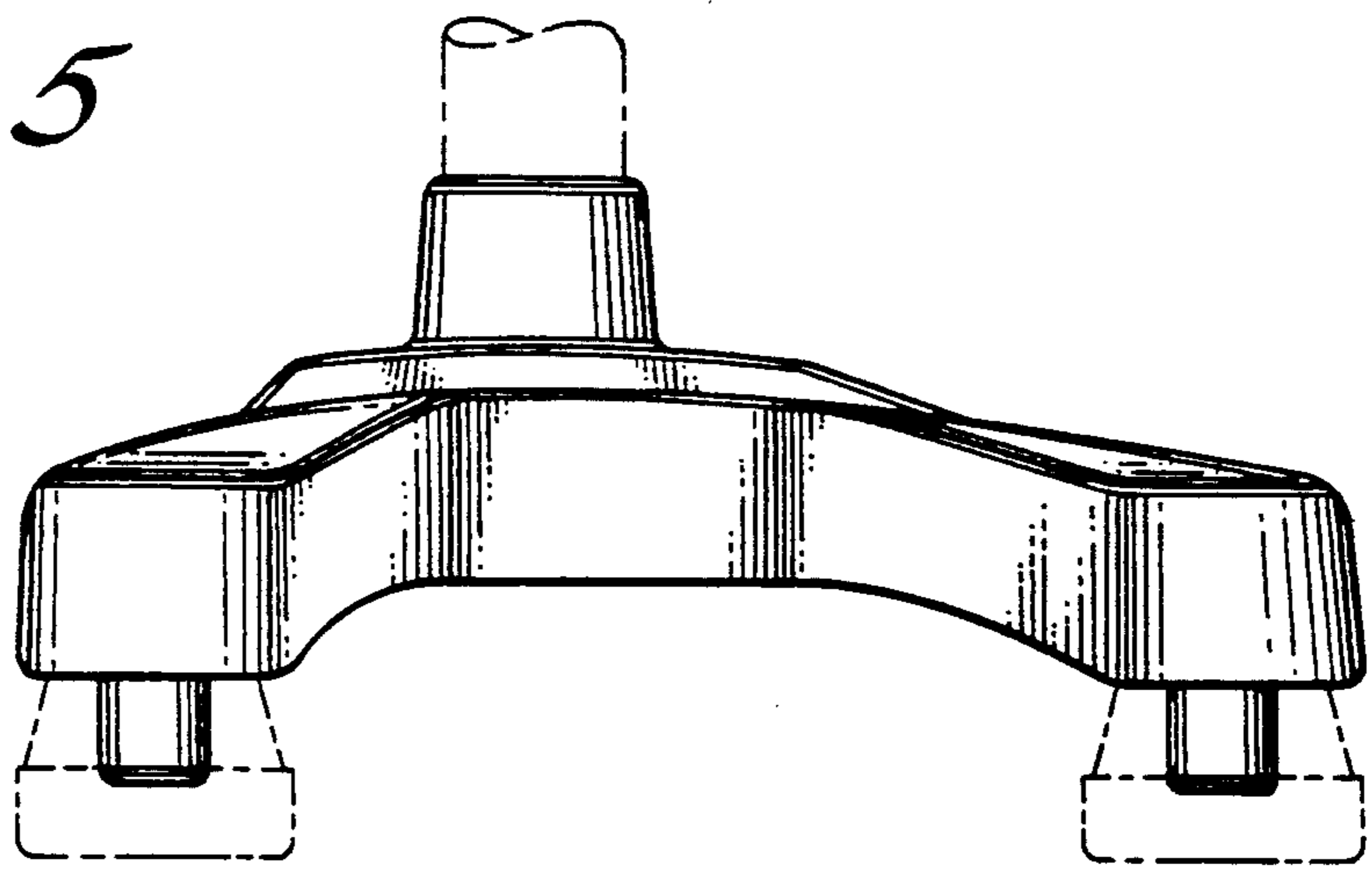


Fig. 6

