



US00D324929S

United States Patent [19]

[11] Patent Number: **Des. 324,929**

Burns

[45] Date of Patent: **** Mar. 24, 1992**

[54] **CANISTER VACUUM CLEANER**

D. 297,871 9/1988 Slany et al. D32/21
D. 301,647 6/1989 Burns et al. D32/21

[75] Inventor: **Stephen R. Burns, Duluth, Ga.**

Primary Examiner—A. Hugo Word
Assistant Examiner—Ruth McInroy
Attorney, Agent, or Firm—David L. Davis

[73] Assignee: **Ryobi Motor Products Corp.,
Pickens, S.C.**

[**] Term: **14 Years**

[57] CLAIM

[21] Appl. No.: **570,354**

The ornamental design for a canister vacuum cleaner, as shown.

[22] Filed: **Aug. 21, 1990**

DESCRIPTION

[52] U.S. Cl. **D32/21**

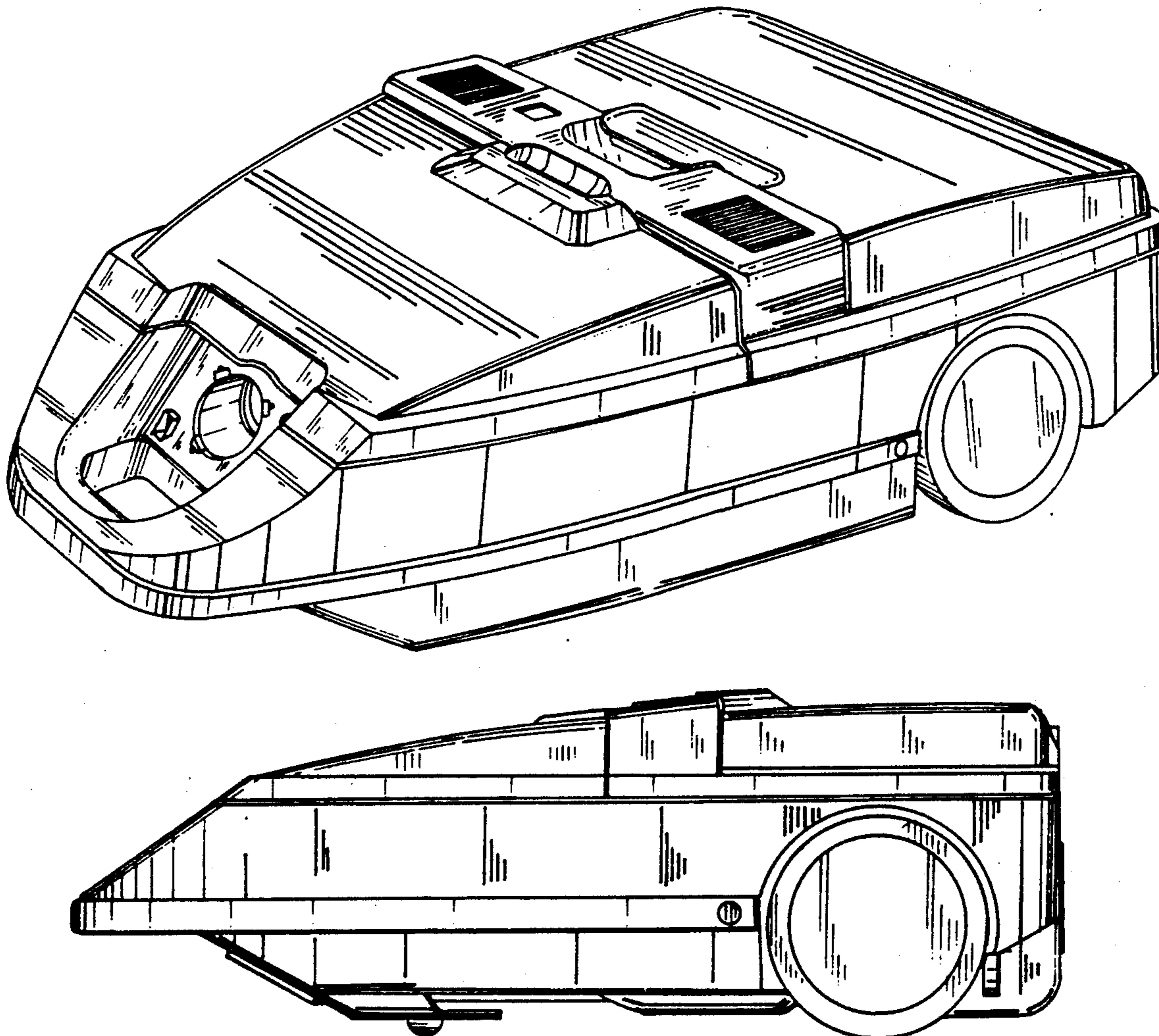
[58] Field of Search **D32/23, 24; 15/412,
15/327.1, 327.2, 327.6, 327.7, 347**

FIG. 1 is a top, left side and front perspective view of a canister vacuum cleaner showing my new design; FIG. 2 is a front elevational view thereof; FIG. 3 is a rear elevational view thereof; FIG. 4 is a right side elevational view thereof; FIG. 5 is a left side elevational view thereof; FIG. 6 is a top plan view thereof; and, FIG. 7 is a bottom plan view thereof.

[56] References Cited

U.S. PATENT DOCUMENTS

D. 289,213 4/1987 Perkins D32/24
D. 297,475 8/1988 Umehara et al. D32/21



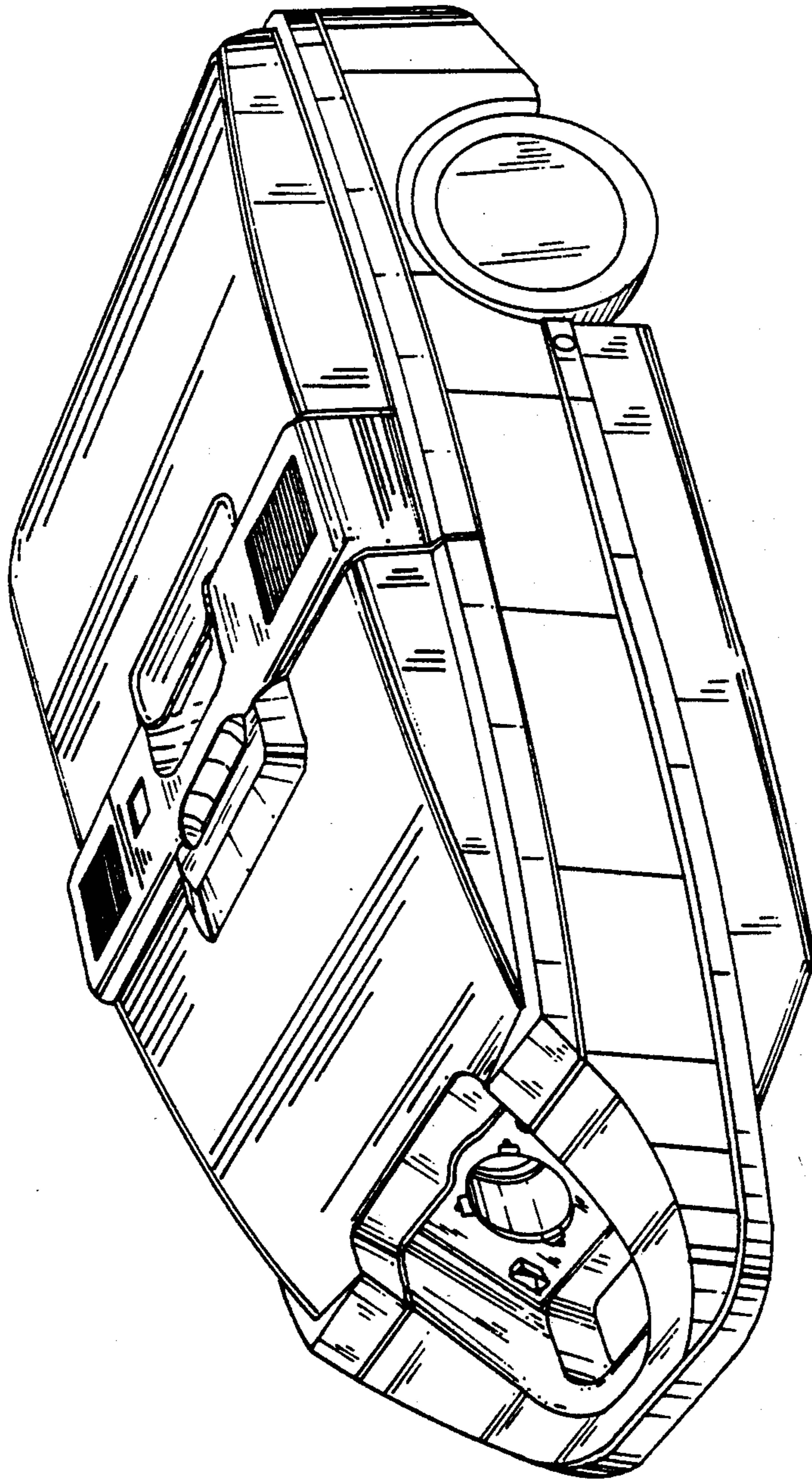


FIG. 1

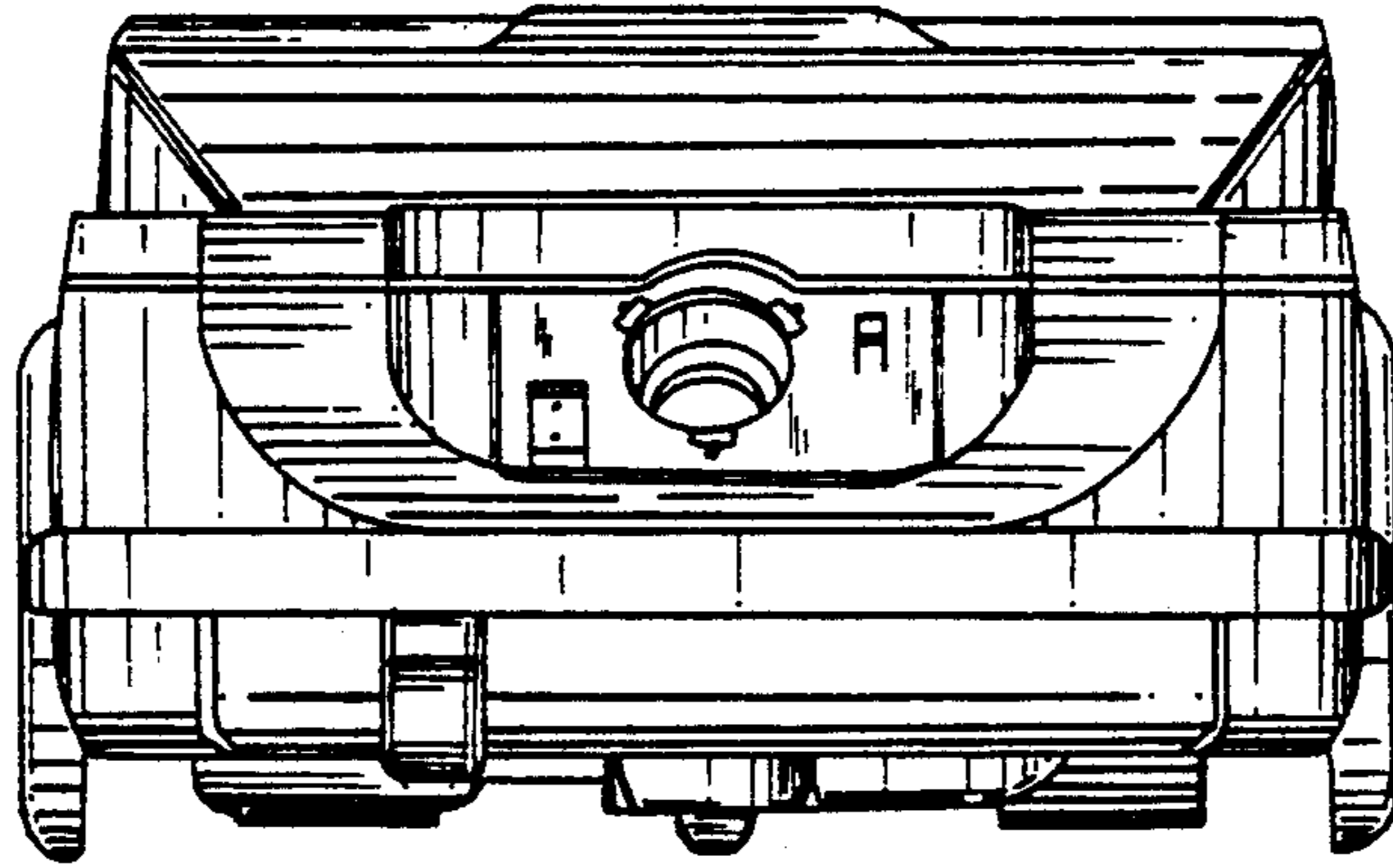


FIG. 2

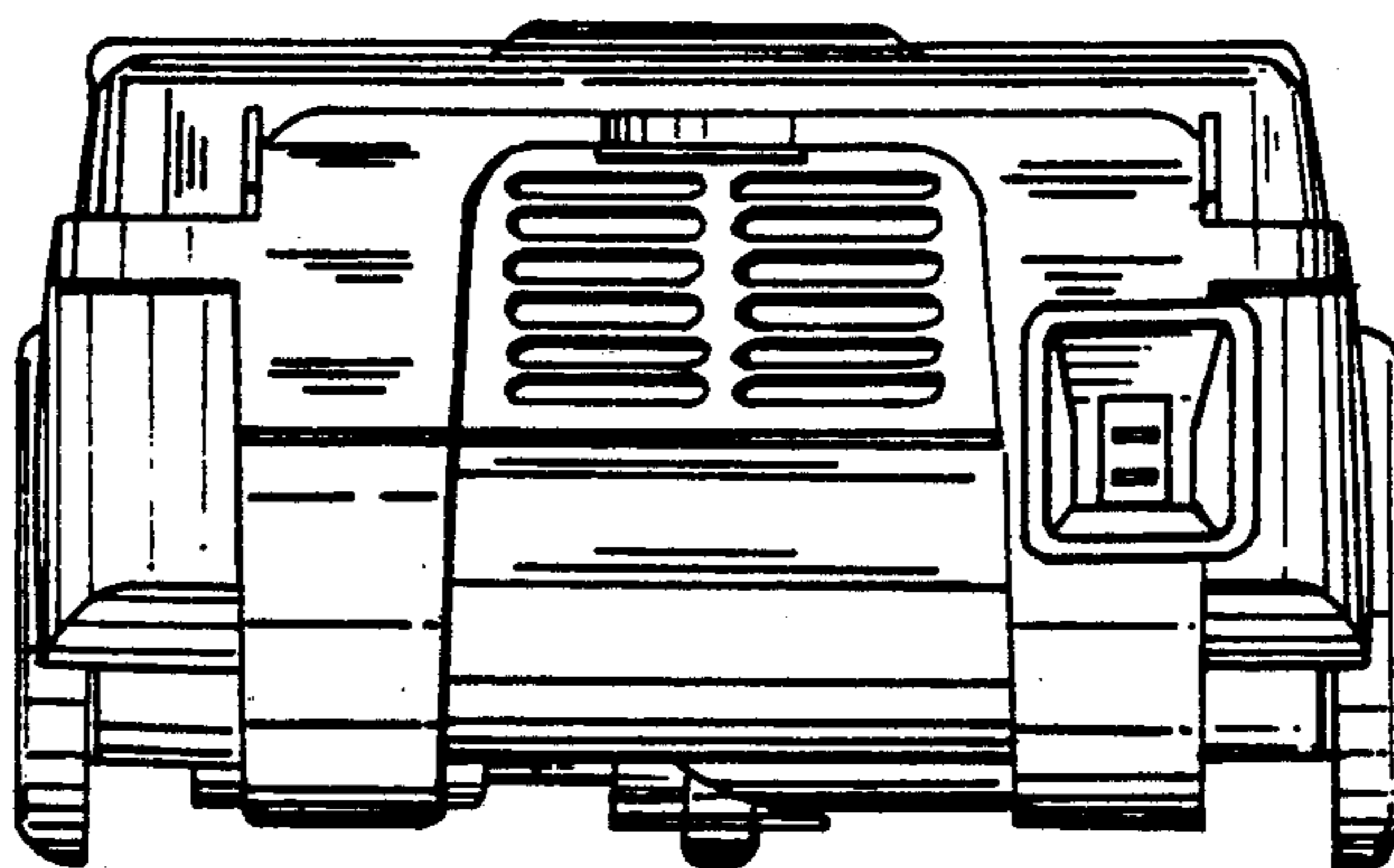


FIG. 3

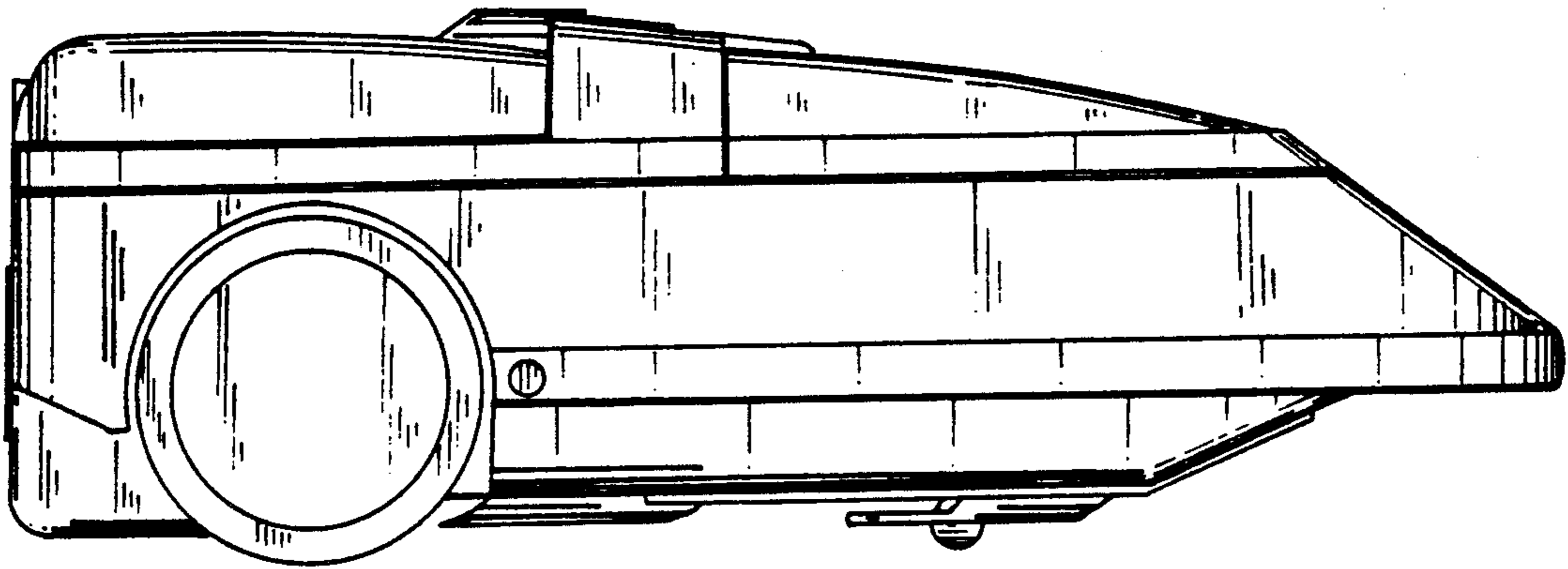


FIG. 4

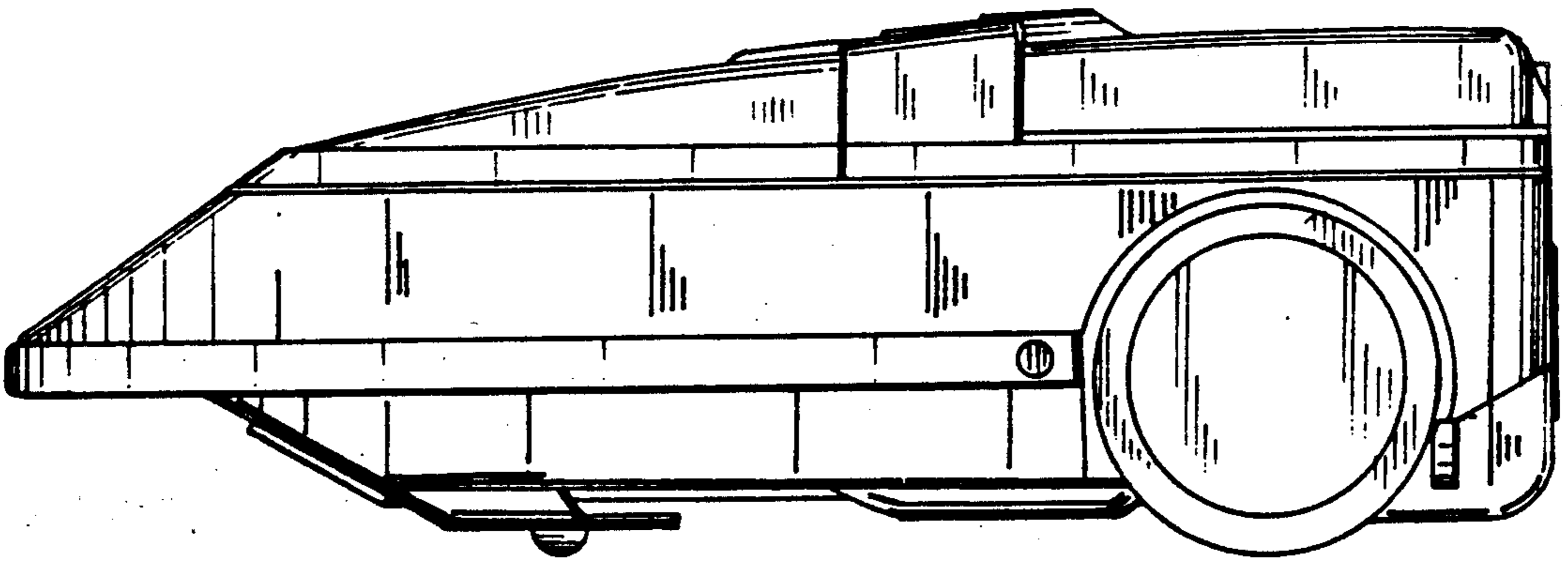


FIG. 5

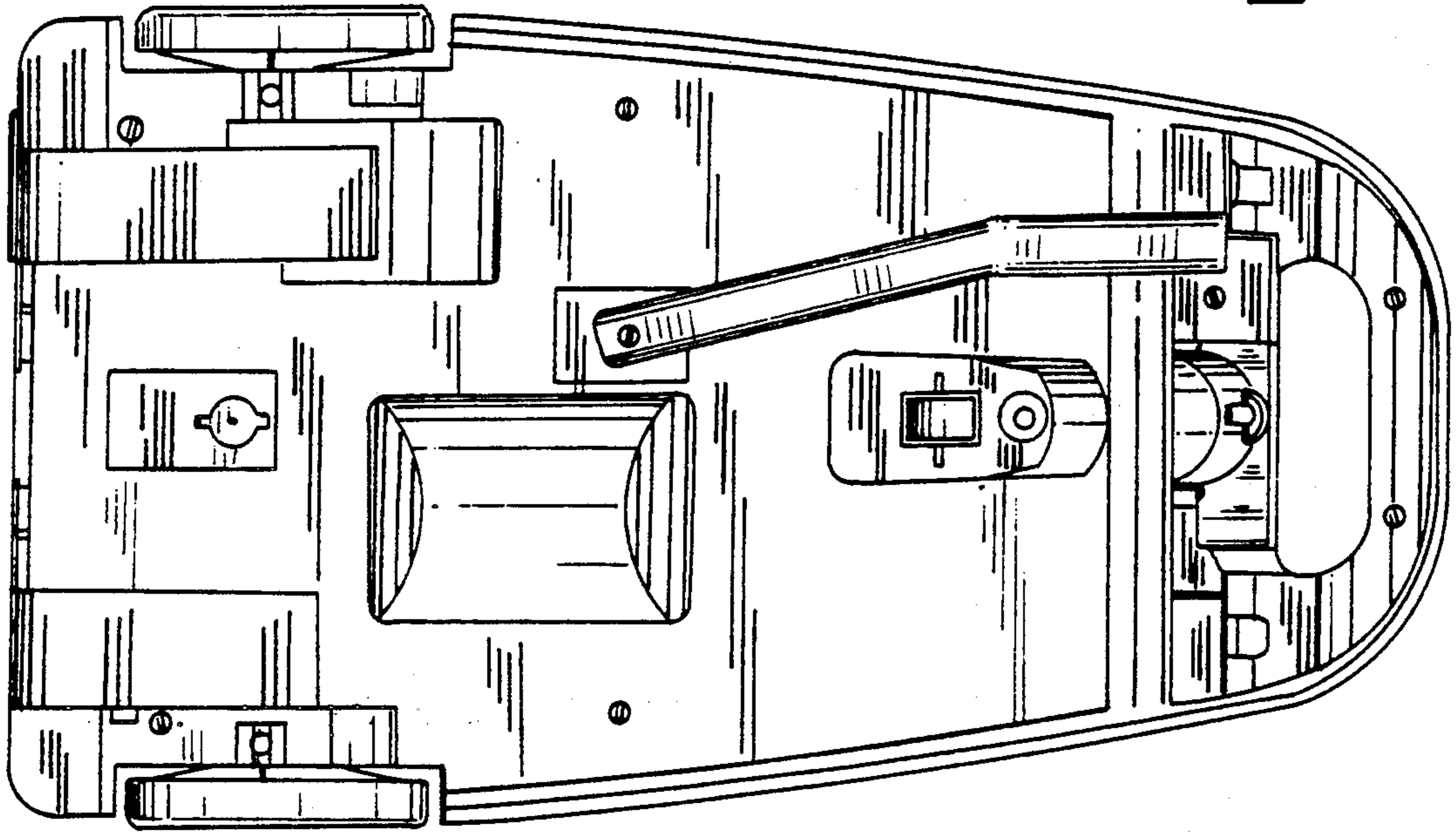


FIG. 7

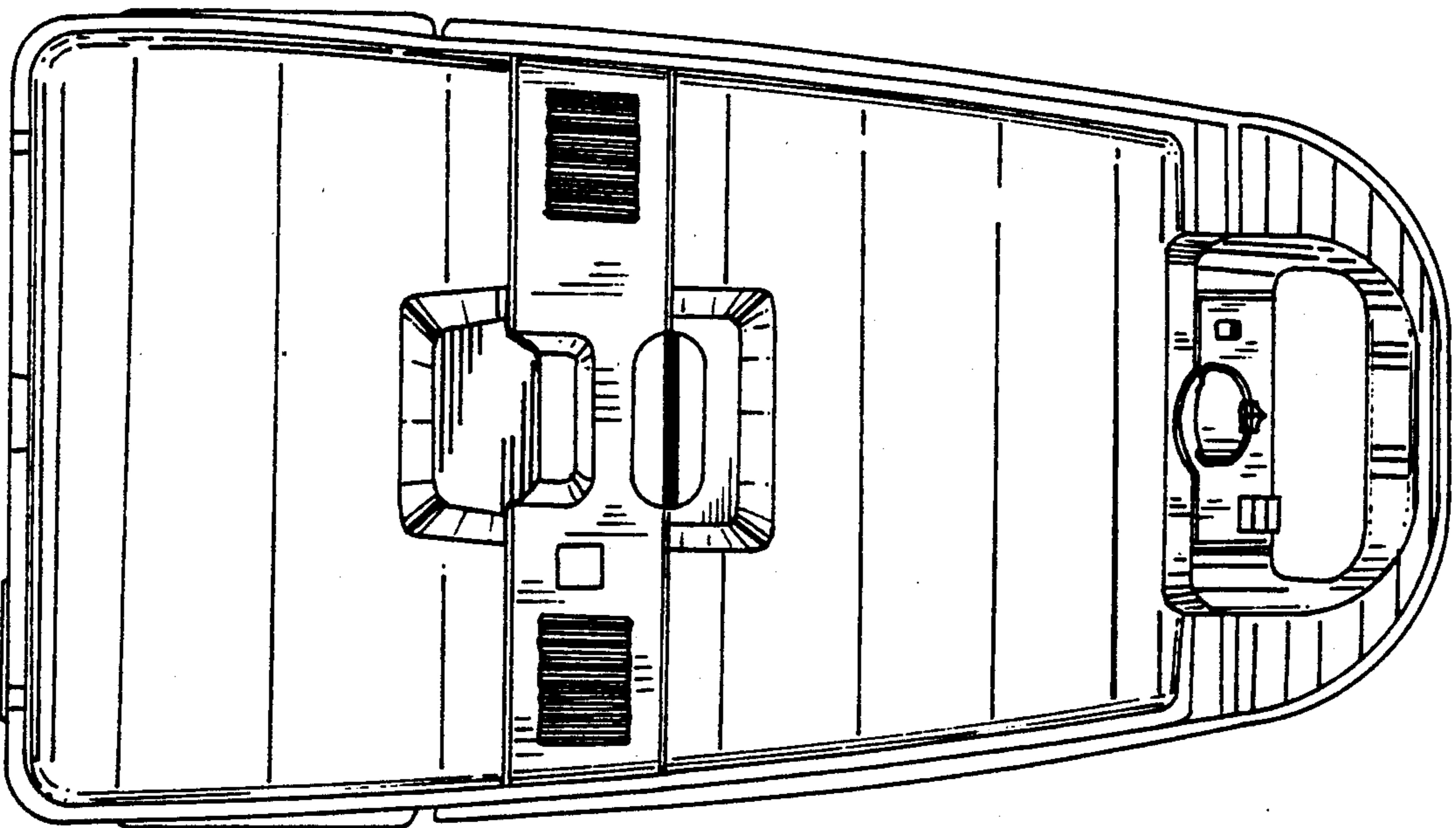


FIG. 6