



US00D324926S

United States Patent [19]

[11] Patent Number: **Des. 324,926**

Herrick

[45] Date of Patent: **** Mar. 24, 1992**

[54] HEADLAMP HOLDER FOR MOUNTING ON
USERS' HELMETS, HOODS AND THE LIKE

D. 208,878	10/1967	Monbaron	D26/140
1,308,809	7/1919	Reese	D26/39 X
1,666,420	4/1928	Koretsky	D26/46 X
2,421,643	6/1947	Ostli	362/106
2,765,398	10/1956	Mays	362/105

[76] Inventor: **Peter W. Herrick**, 21 Taylor Rd.,
Salem, N.H. 03079

Primary Examiner—Susan J. Lucas
Attorney, Agent, or Firm—Edward A. Gordon

[**] Term: **14 Years**

[57] CLAIM

[21] Appl. No.: **493,480**

The ornamental design for a headlamp holder for mounting on users' helmets, hoods and the like, as shown and described.

[22] Filed: **Mar. 14, 1990**

[52] U.S. Cl. **D26/140; D8/355;**
D26/39

[58] Field of Search D8/349, 354, 355, 356,
D8/363, 366; D26/37-50; 362/157, 158,
183-208, 103, 105, 106

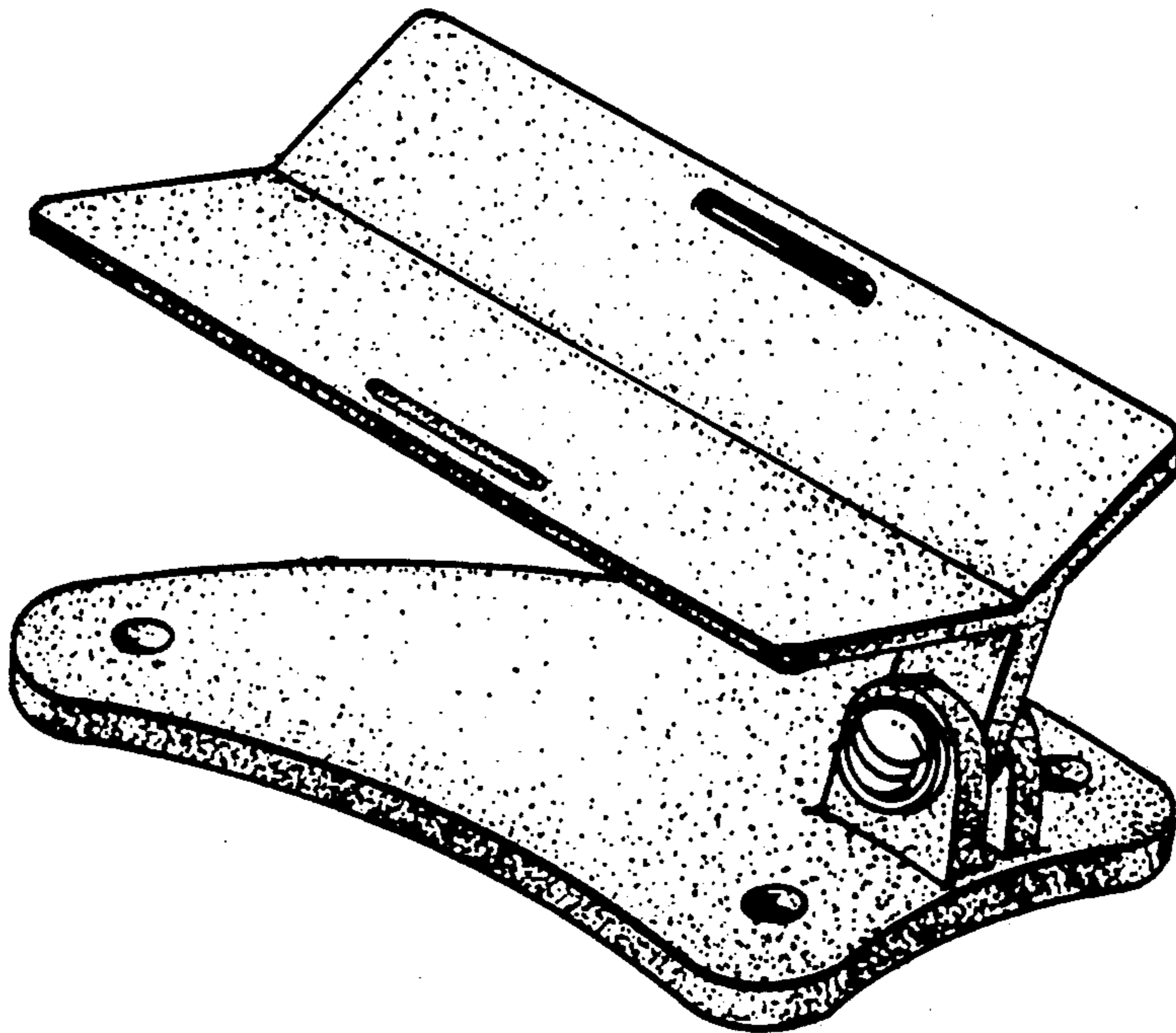
DESCRIPTION

[56] References Cited

U.S. PATENT DOCUMENTS

D. 153,883	5/1949	Lapidus	D26/140
D. 204,483	4/1966	Brinkhoff	D26/140

FIG. 1 is a perspective view of a headlamp holder for mounting on users' helmets, hoods and the like showing my new design;
FIG. 2 is a top plan view thereof;
FIG. 3 is a side elevational view thereof;
FIG. 4 is a front end elevational view thereof; and,
FIG. 5 is a rear end elevational view thereof.



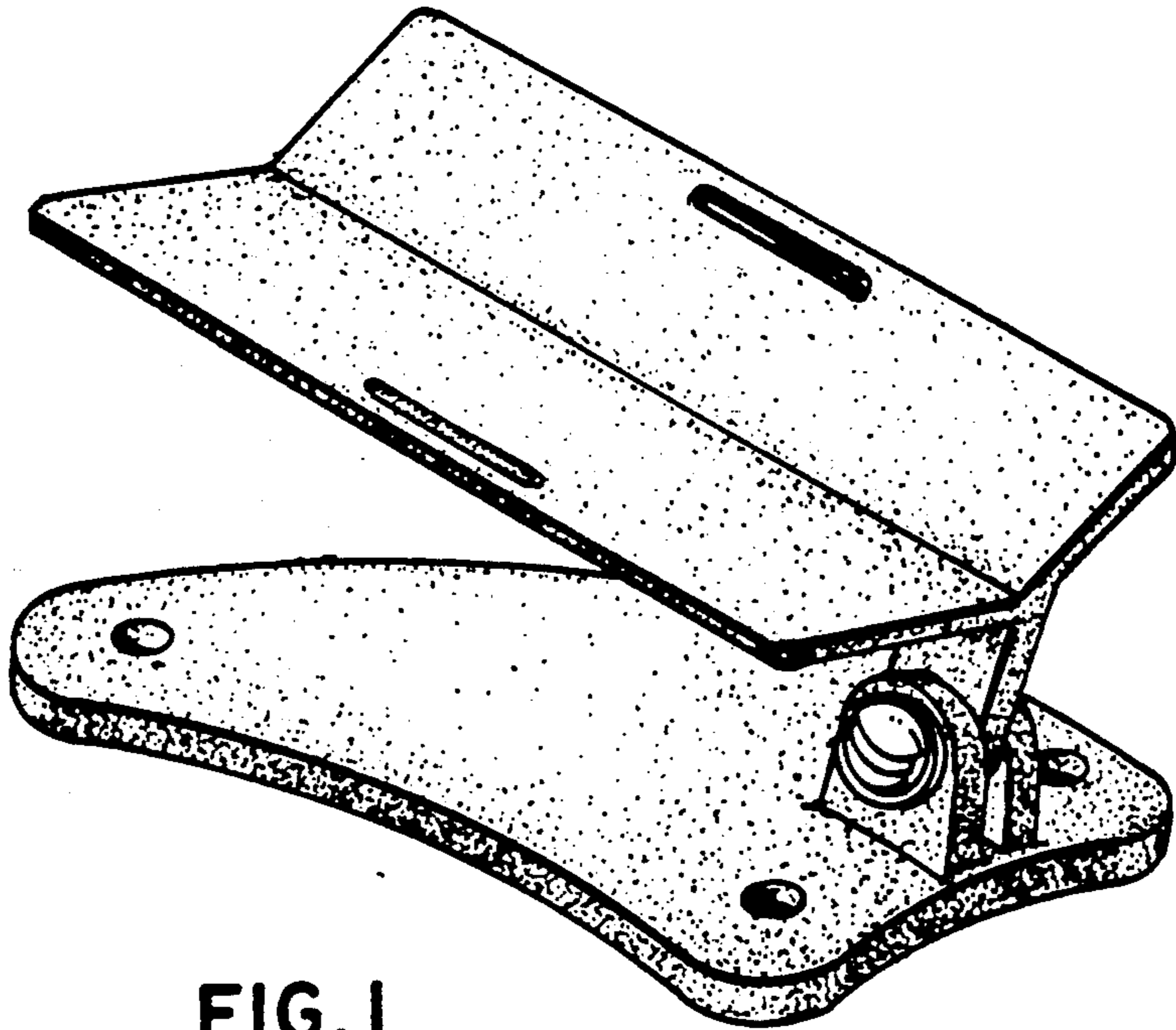


FIG. 1

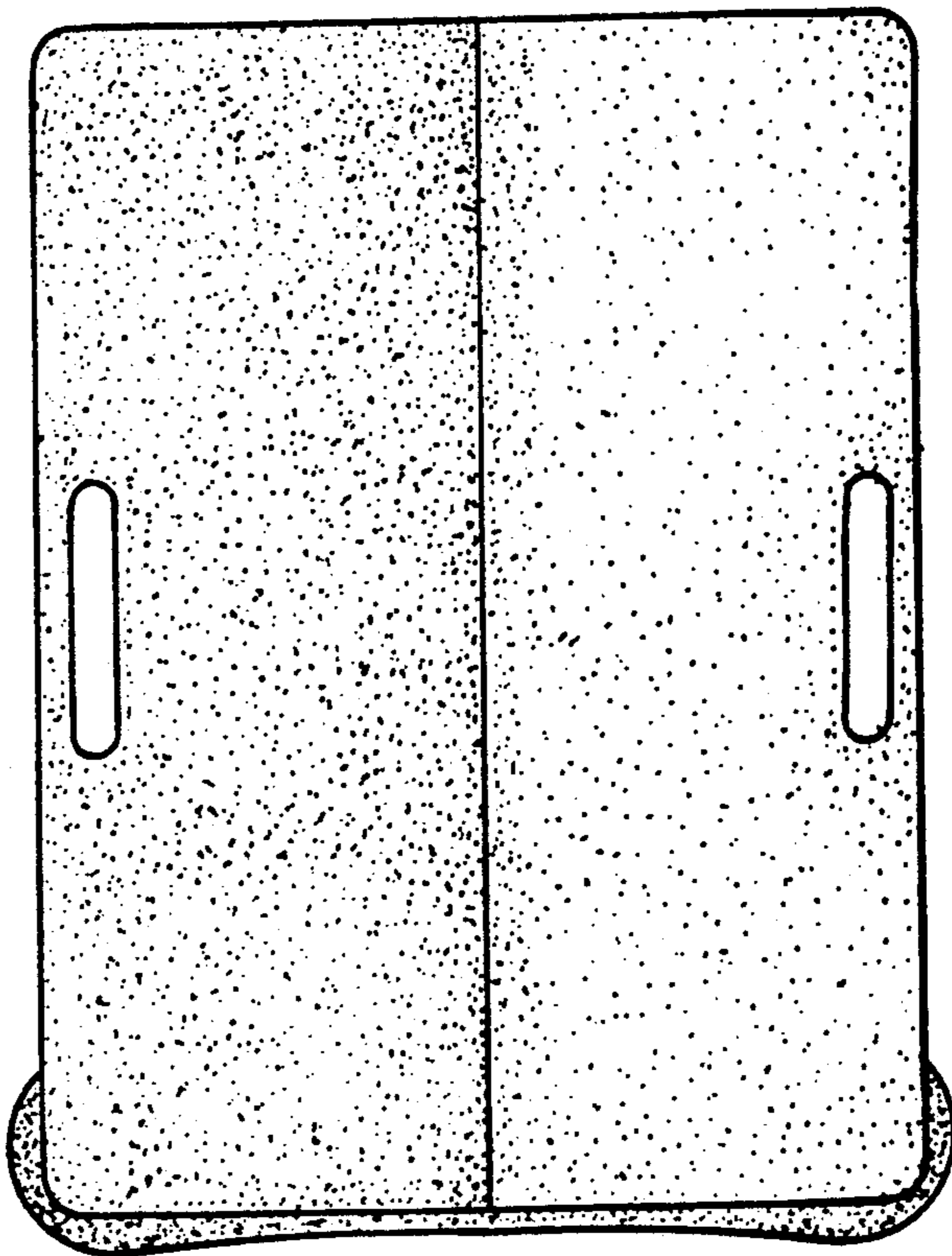


FIG. 2

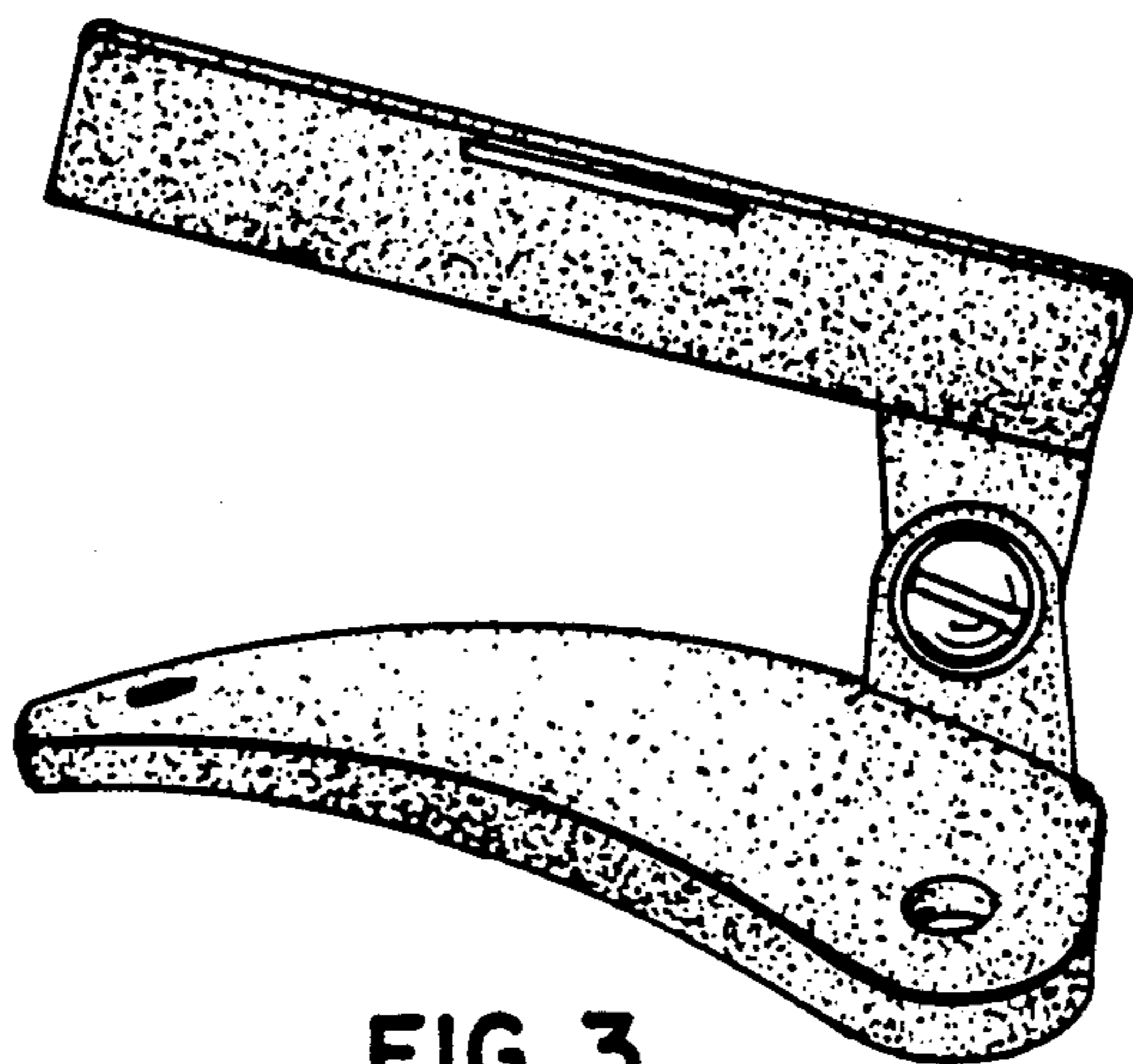


FIG. 3

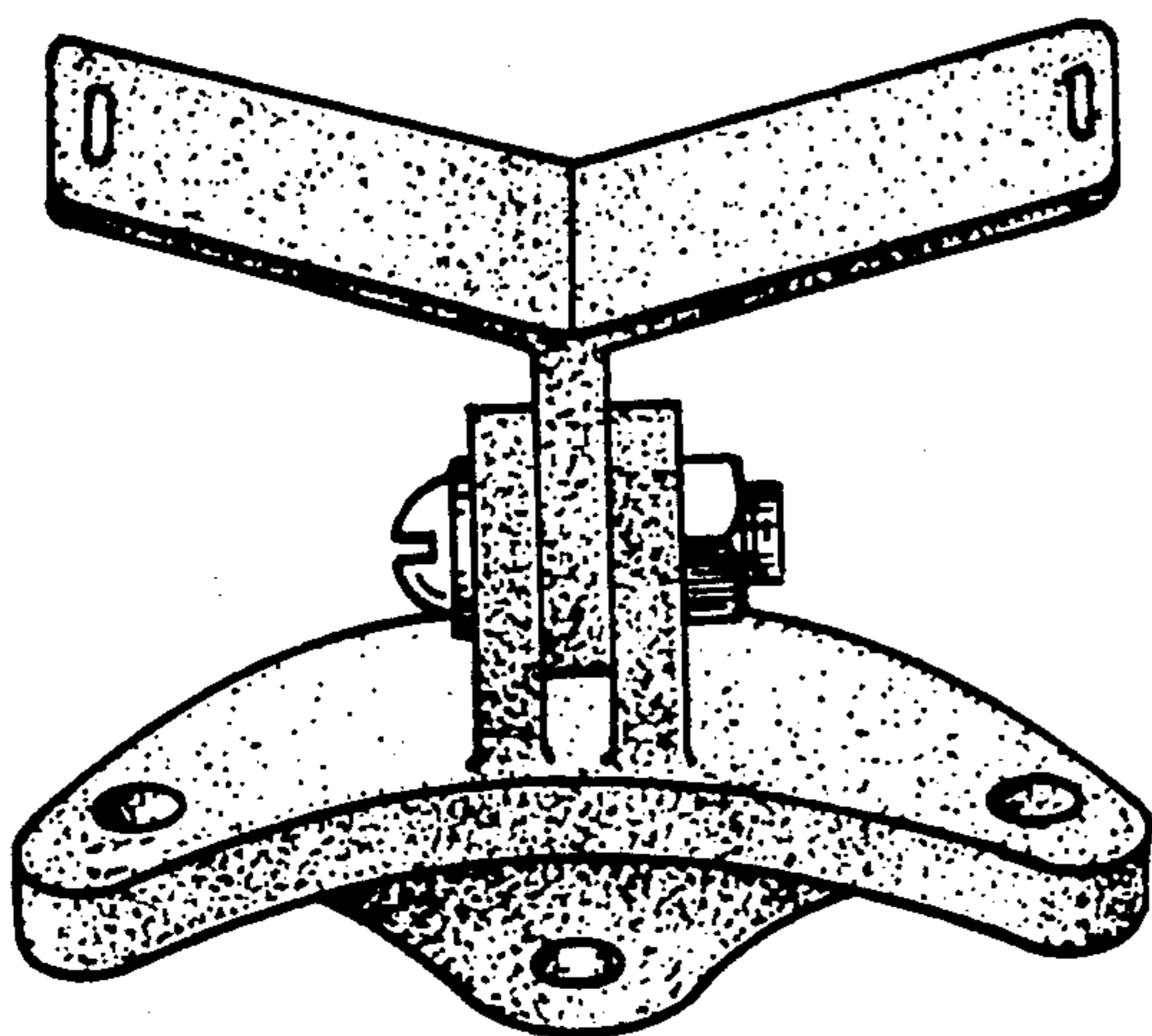


FIG. 4

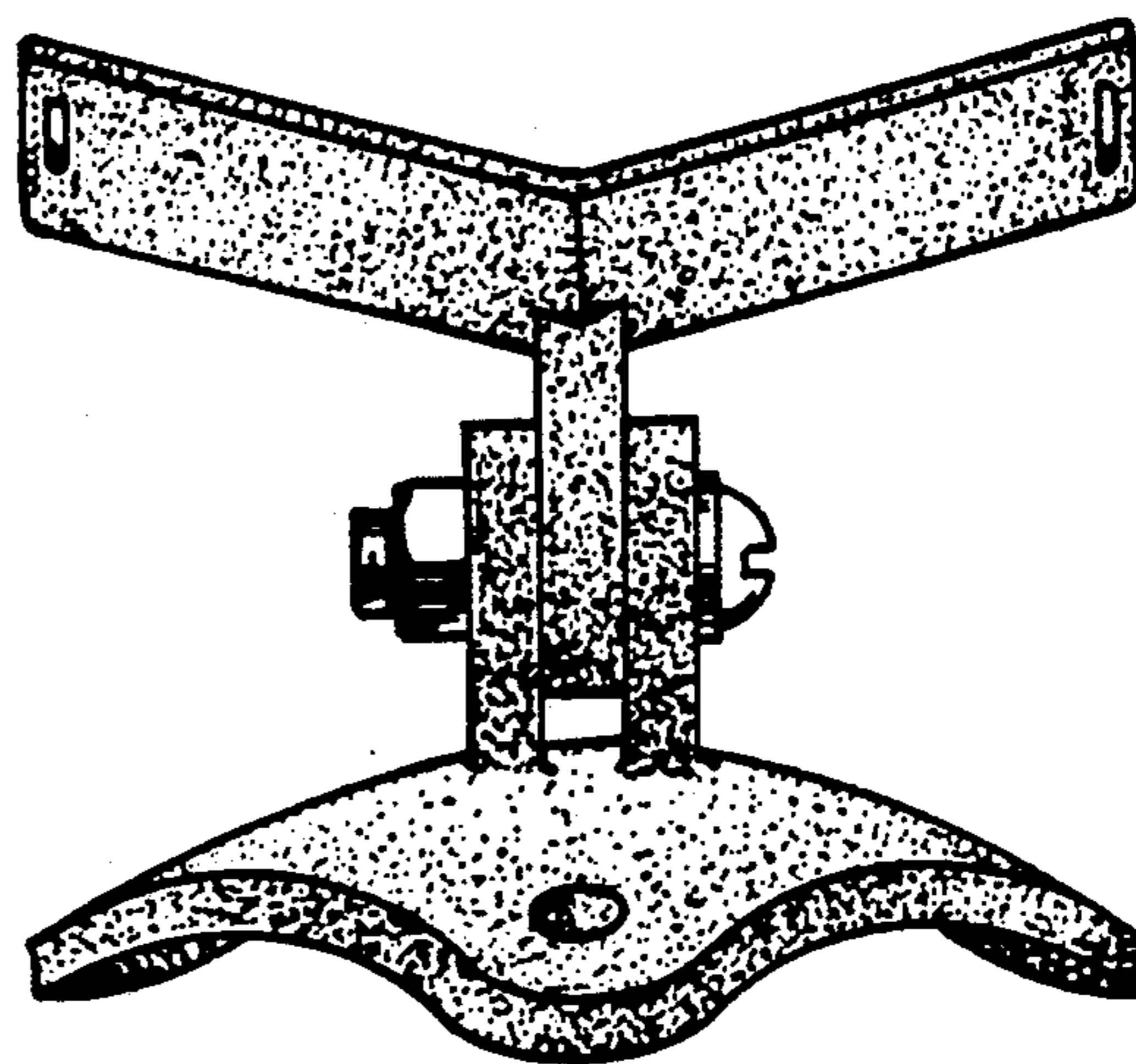


FIG. 5