



US00D324919S

United States Patent [19]

Dallaire et al.

[11] Patent Number: **Des. 324,919**

[45] Date of Patent: **** Mar. 24, 1992**

[54] WINDOW COMPONENT EXTRUSION

[75] Inventors: **Raymond Dallaire; Dominique Dallaire**, both of St. David, Canada

[73] Assignee: **Dallaire Industries Ltd.**, Levis-Lauzon, Canada

[**] Term: **14 Years**

[21] Appl. No.: **487,169**

[22] Filed: **Mar. 1, 1990**

[52] U.S. Cl. **D25/124**

[58] Field of Search **D25/52, 119-125; 49/501, 504, DIG. 1, DIG. 2; 52/474-476**

[56] **References Cited**

U.S. PATENT DOCUMENTS

- D. 299,965 2/1989 Litchfield et al. D25/124
- D. 308,103 5/1990 Westphal et al. D25/124
- D. 311,961 11/1990 Westphal et al. D25/124

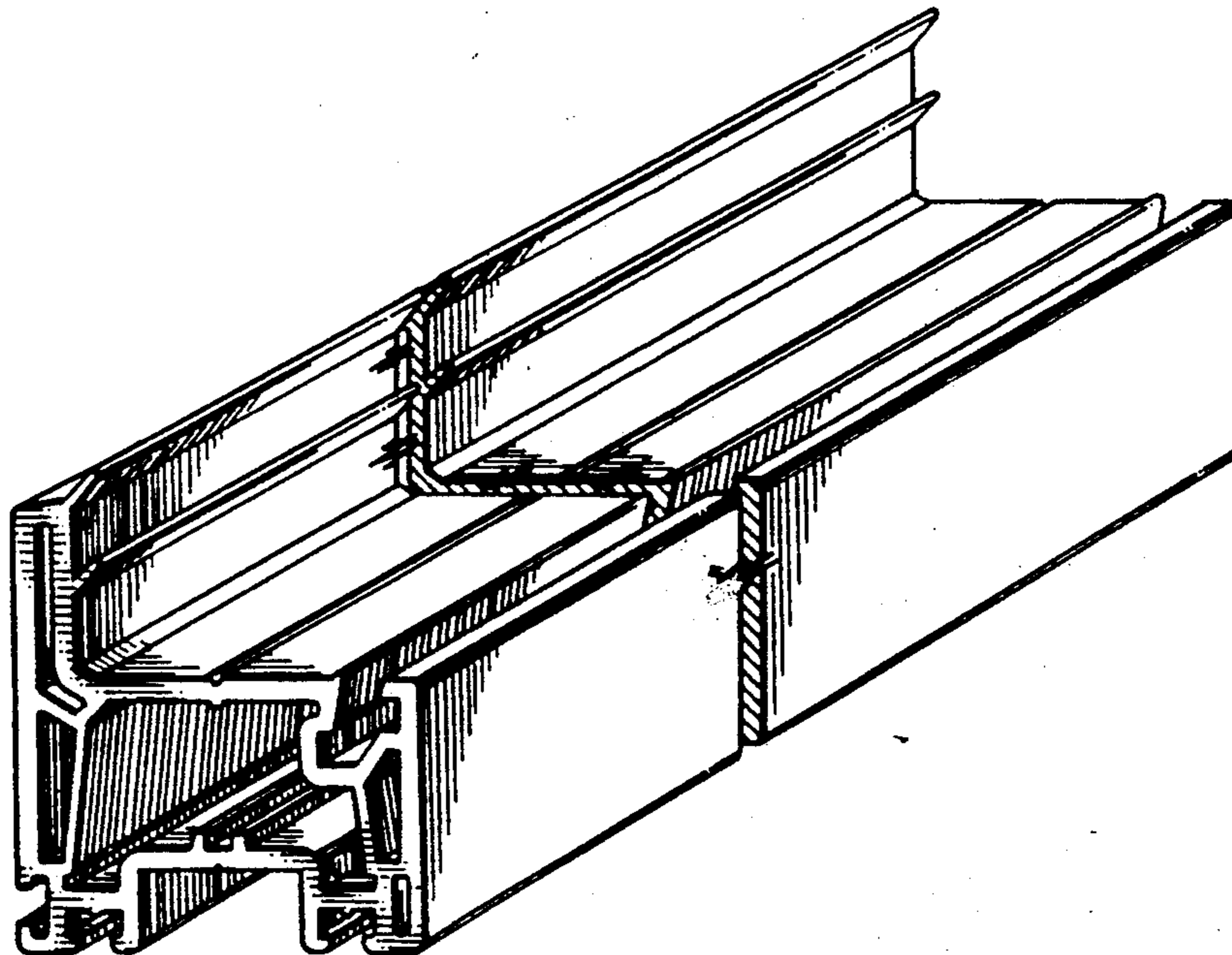
Primary Examiner—A. Hugo Word
Assistant Examiner—Doris Clark
Attorney, Agent, or Firm—James D. Hall

[57] **CLAIM**

The ornamental design for a window component extrusion, as shown and described.

DESCRIPTION

FIG. 1 is a right side perspective view of a window component extrusion showing our new design, the center being broken away to indicate indeterminate length; and, FIG. 2 is a left side perspective view thereof.



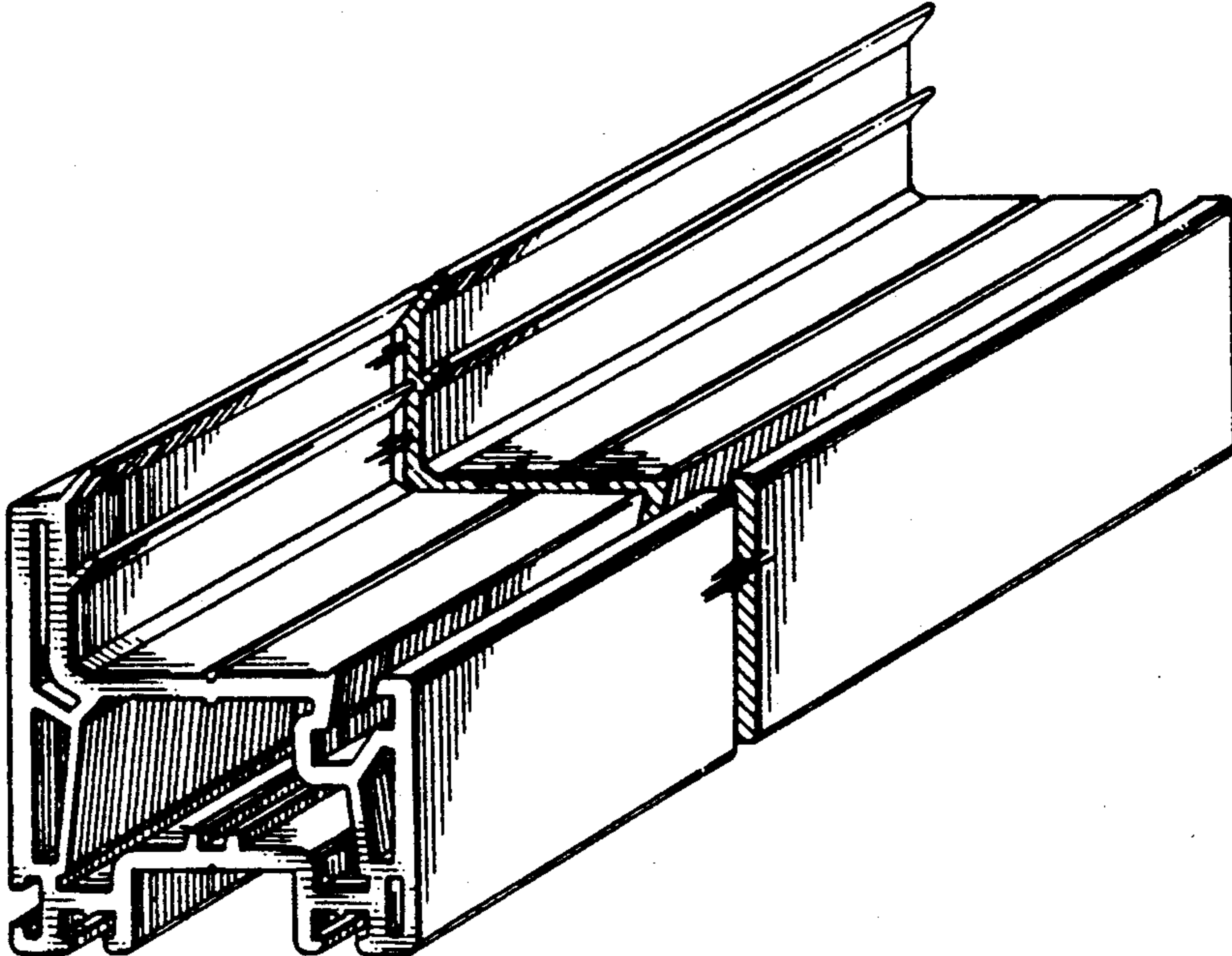


FIG. 1

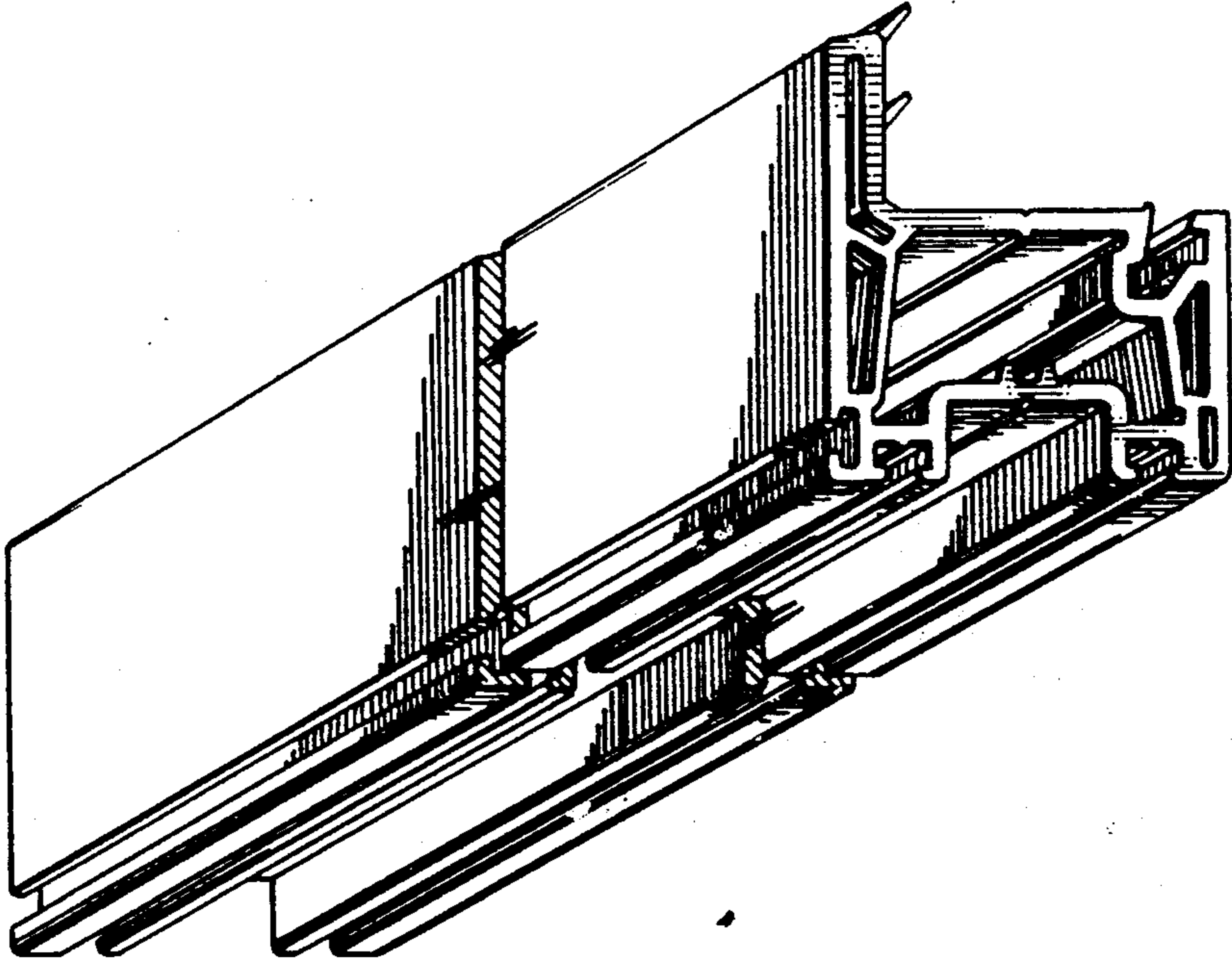


FIG. 2