



US00D324918S

# United States Patent [19]

[11] Patent Number: **Des. 324,918**

Dallaire et al.

[45] Date of Patent: **\*\* Mar. 24, 1992**

[54] WINDOW COMPONENT EXTRUSION

D. 308,106 5/1990 Hardy ..... D25/124

[75] Inventors: **Raymond Dallaire; Dominique Dallaire**, both of St. David, Canada

*Primary Examiner*—A. Hugo Word  
*Assistant Examiner*—Doris Clark  
*Attorney, Agent, or Firm*—James D. Hall

[73] Assignee: **Dallaire Industries Ltd.**,  
Levis-Lauzon, Canada

[57] **CLAIM**

[\*\*] Term: **14 Years**

The ornamental design for a window component extrusion, as shown and described.

[21] Appl. No.: **487,170**

**DESCRIPTION**

[22] Filed: **Mar. 1, 1990**

[52] U.S. Cl. .... **D25/124**

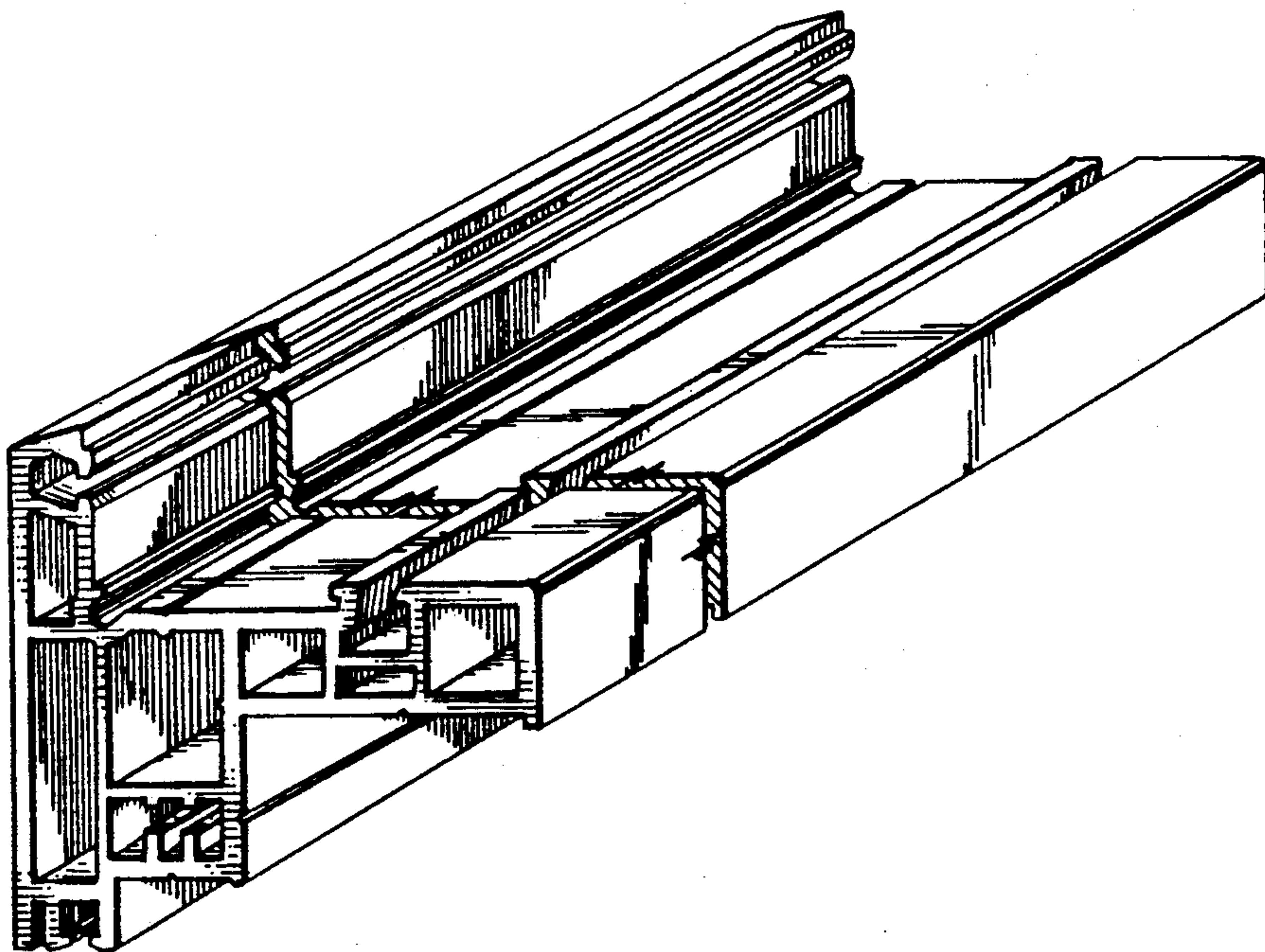
[58] Field of Search ..... **D25/52, 119-125;**  
**49/501, 504, DIG. 1, DIG. 2; 52/474-476**

FIG. 1 is a right side perspective view of a window component extrusion showing our new design, the center being broken away to indicate indeterminate length; FIG. 2 is a left side perspective view thereof; FIG. 3 is a right side perspective view of a second embodiment of a window component extrusion showing our new design; and, FIG. 4 is a left side perspective view thereof.

[56] **References Cited**

**U.S. PATENT DOCUMENTS**

D. 285,610 9/1986 Slocomb, Jr. .... D25/124



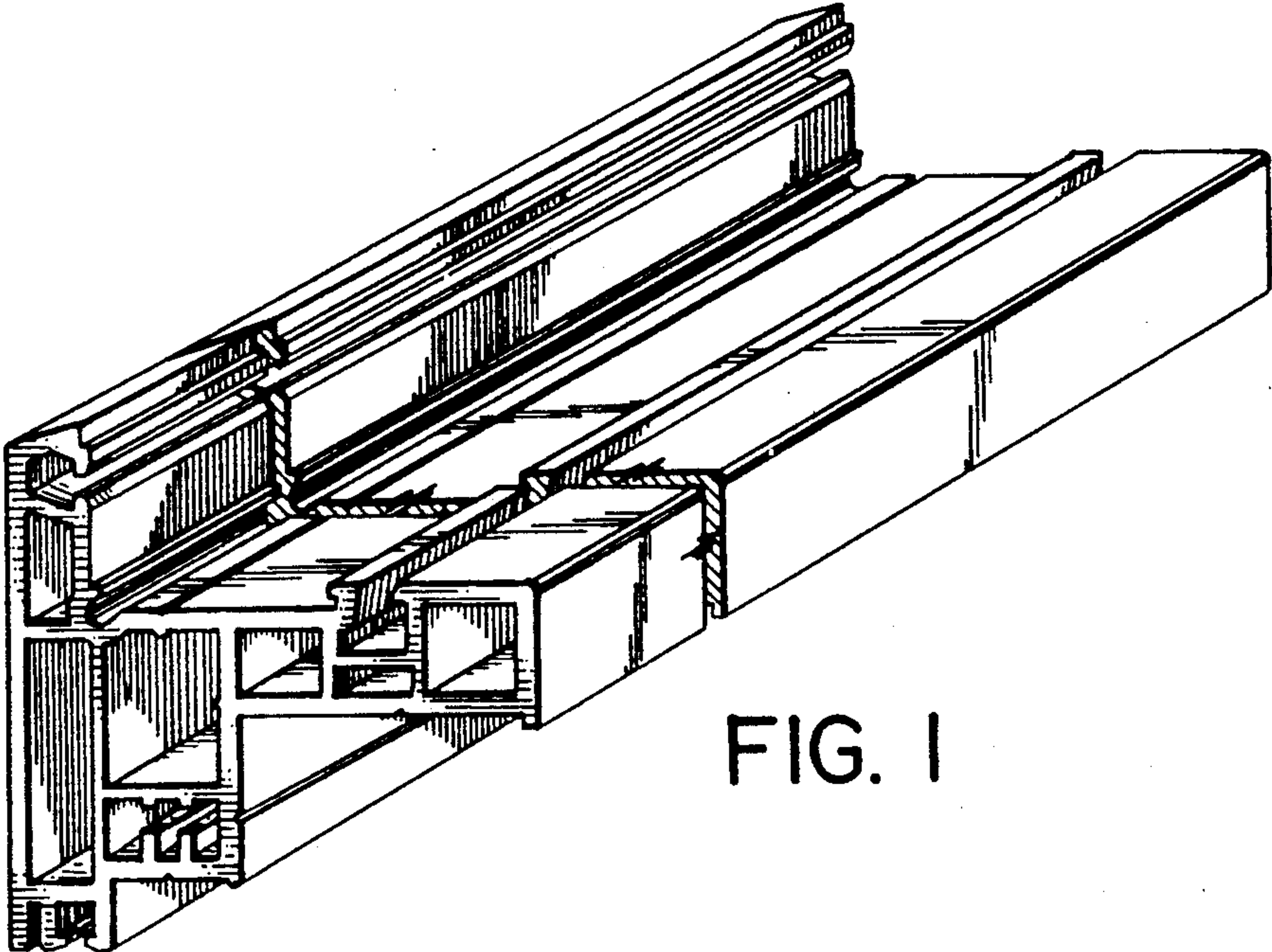


FIG. 1

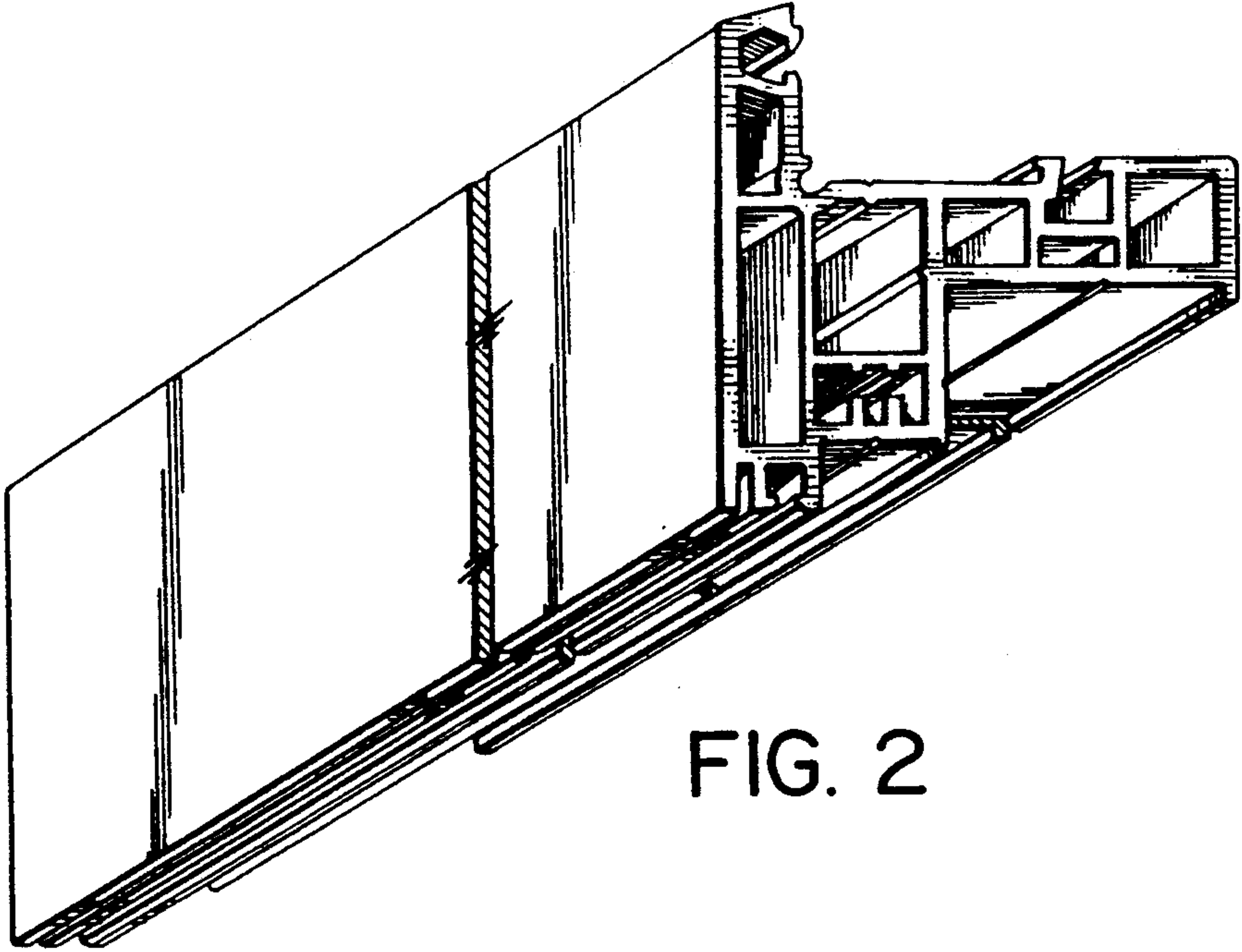


FIG. 2

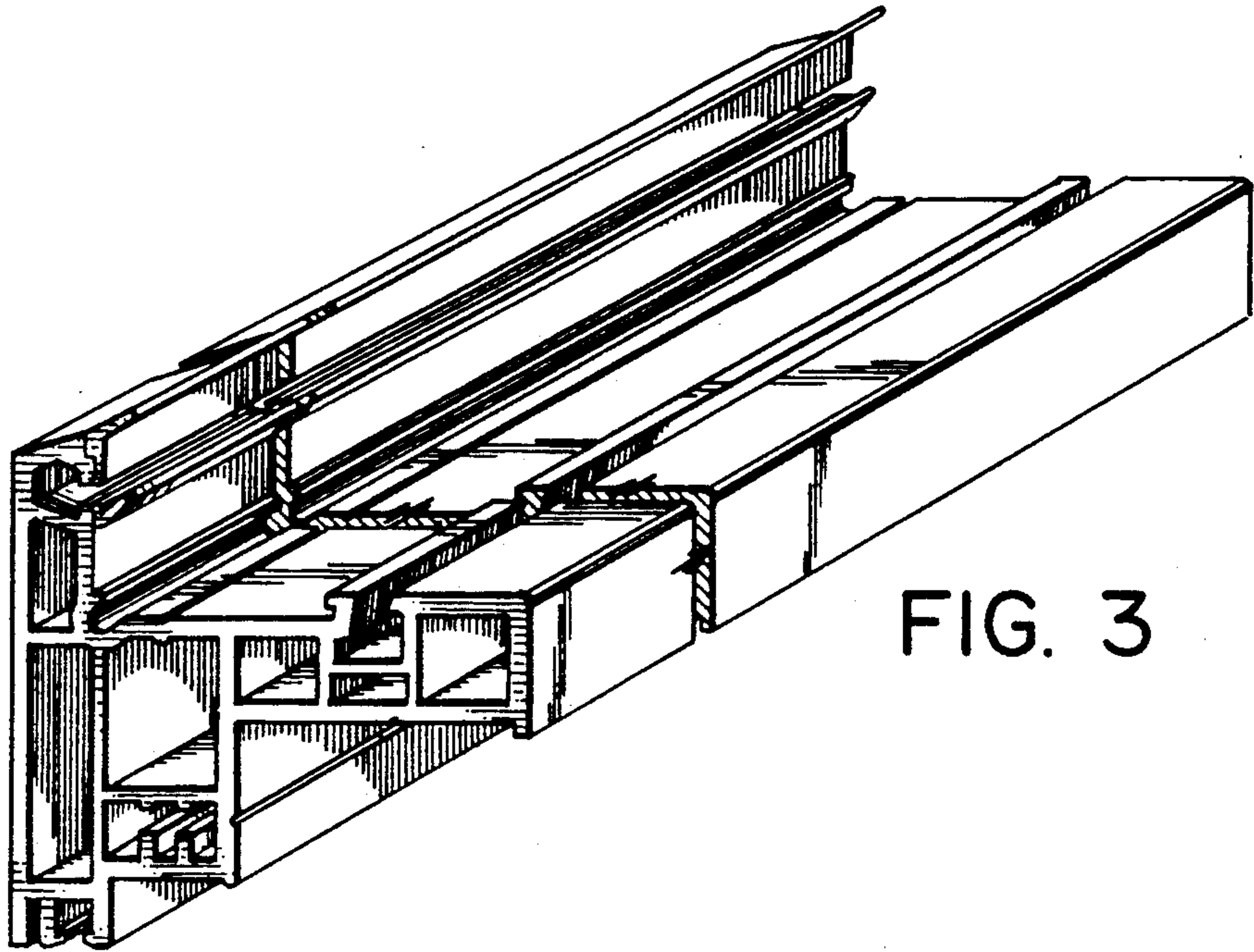


FIG. 3

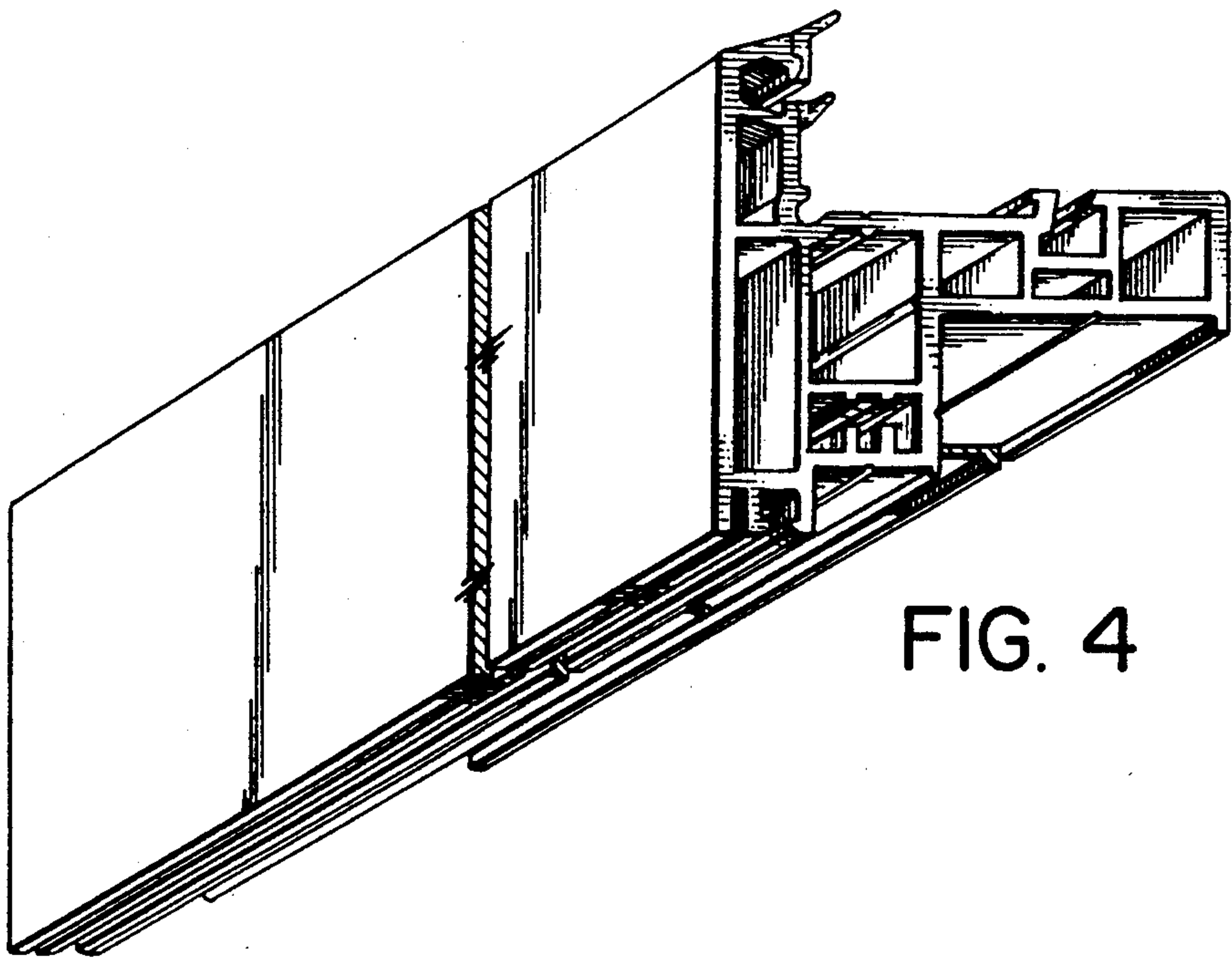


FIG. 4