



US00D324917S

# United States Patent [19]

[11] Patent Number: **Des. 324,917**

Dallaire et al.

[45] Date of Patent: **\*\* Mar. 24, 1992**

[54] WINDOW COMPONENT EXTRUSION

[56] References Cited

[75] Inventors: **Raymond Dallaire; Dominique Dallaire**, both of St. David, Canada

### U.S. PATENT DOCUMENTS

D. 283,349 4/1986 Slocomb, Jr. .... D25/122  
D. 300,370 3/1989 Reisinger et al. .... D25/124

[73] Assignee: **Dallaire, Industries Ltd.**,  
Levis-Lauzon, Canada

*Primary Examiner*—A. Hugo Word  
*Assistant Examiner*—Doris Clark  
*Attorney, Agent, or Firm*—James D. Hall

[\*\*] Term: **14 Years**

[57] CLAIM

The ornamental design for a window component extrusion, as shown and described.

[21] Appl. No.: **487,167**

### DESCRIPTION

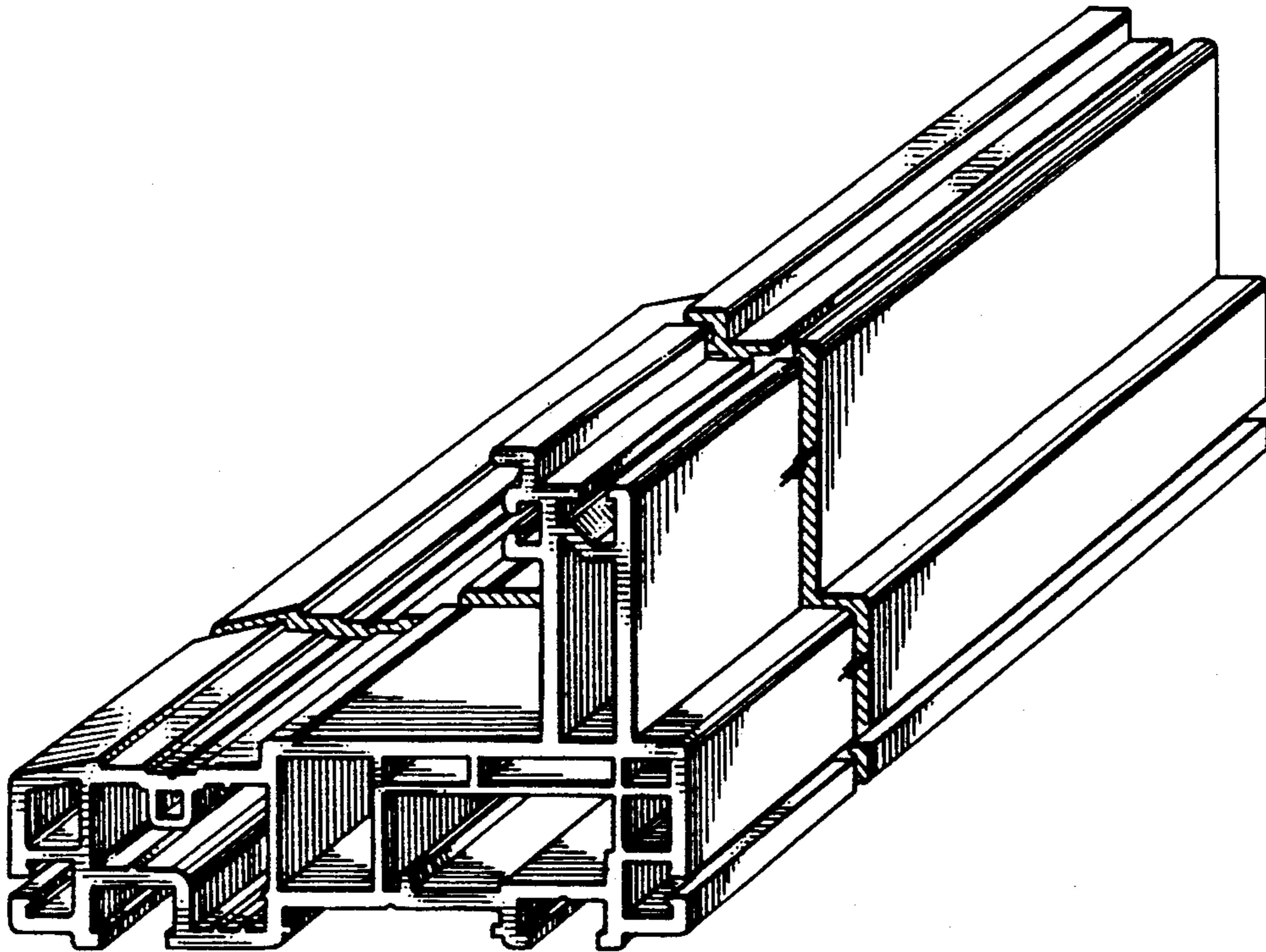
[22] Filed: **Mar. 1, 1990**

[52] U.S. Cl. .... **D25/124**

[58] Field of Search ..... D25/52, 119-125;  
49/501, 504, DIG. 1, DIG. 2; 52/474-476

FIG. 1 is a right side perspective view of a window component extrusion showing our new design, the center being broken away to indicate indeterminate length; and,

FIG. 2 is a left side perspective view thereof.



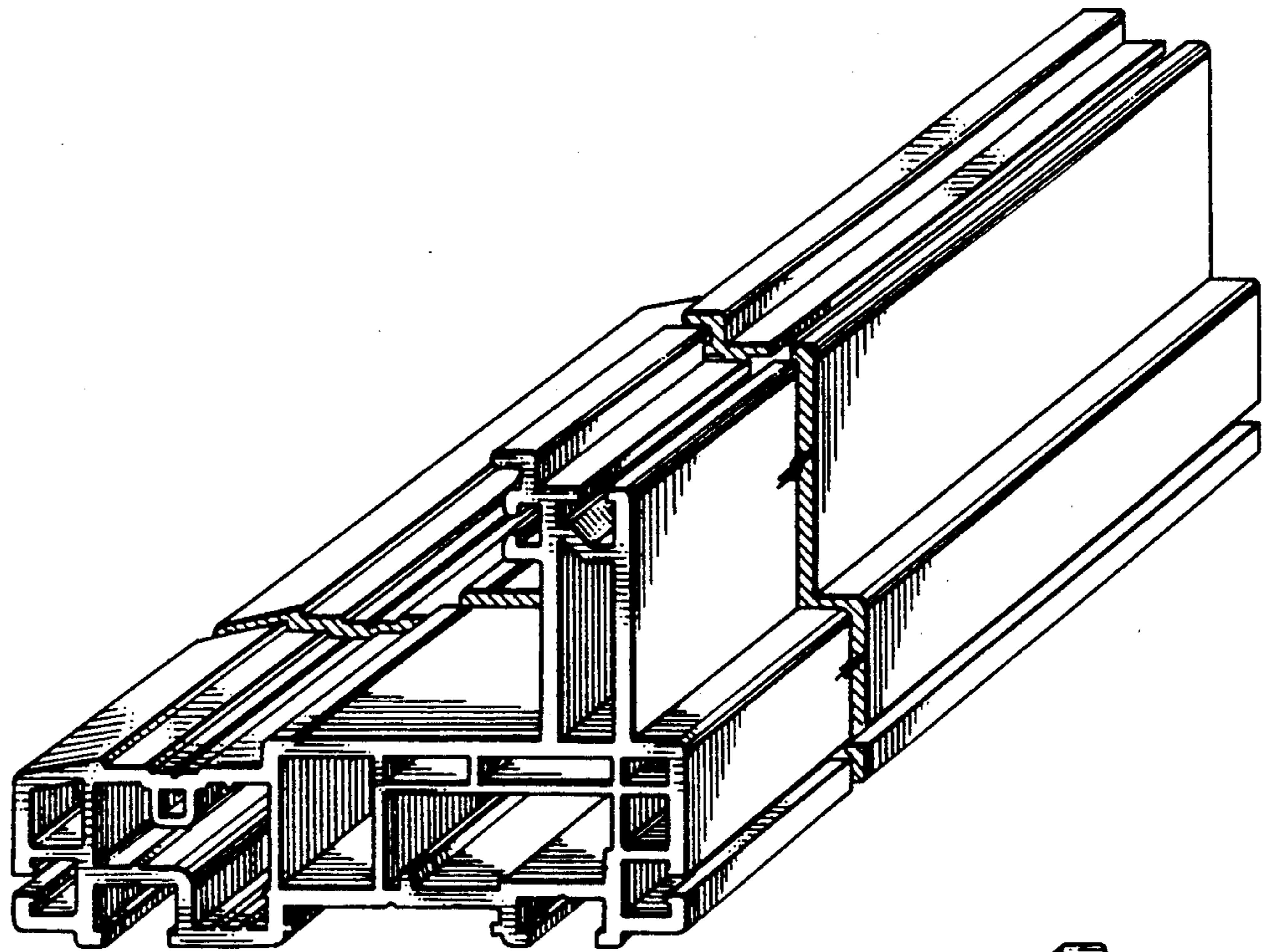


FIG. 1

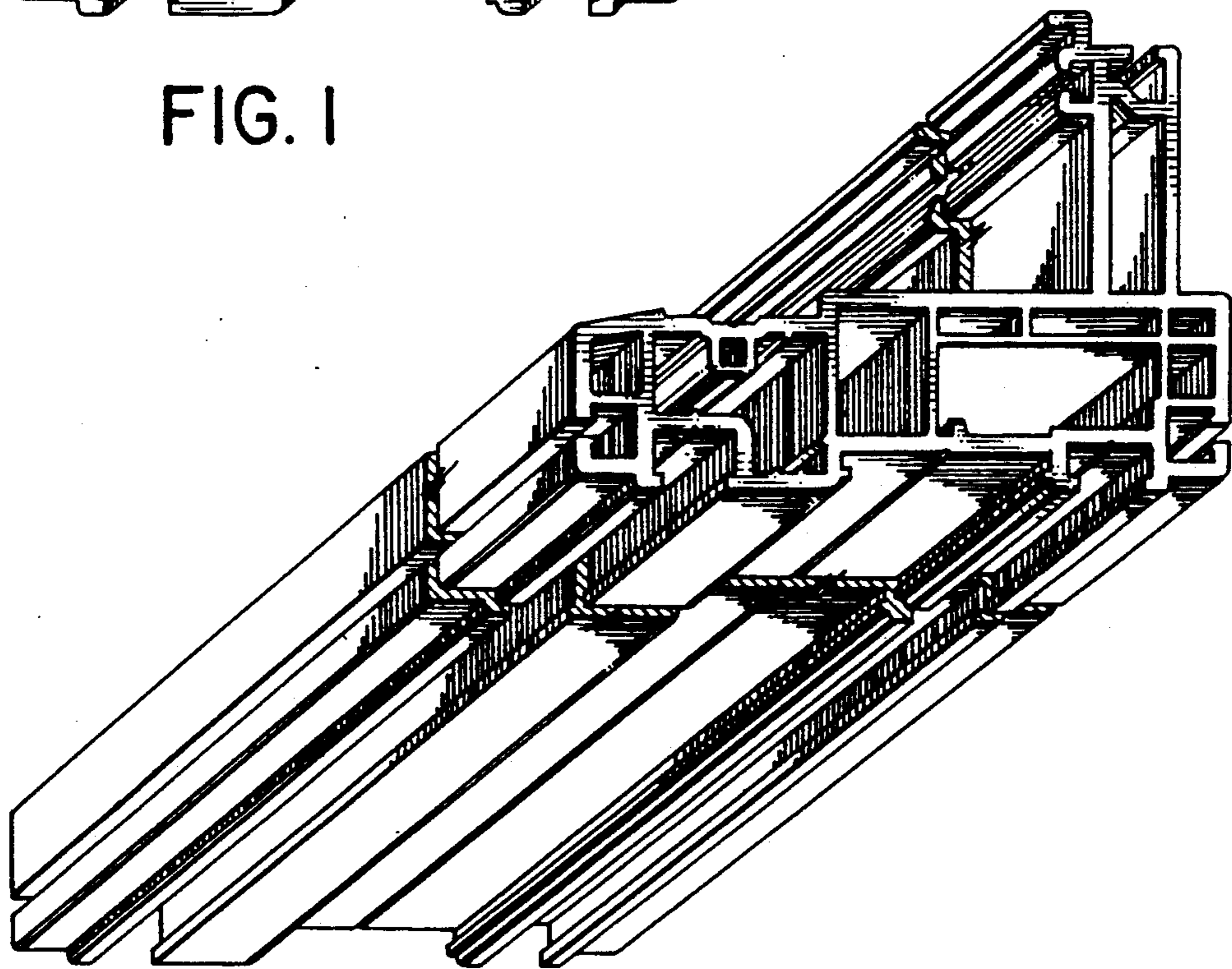


FIG. 2